



US00D853254S

(12) **United States Design Patent**
Zemel

(10) **Patent No.:** **US D853,254 S**

(45) **Date of Patent:** **** Jul. 9, 2019**

(54) **THERMOMETER**

(71) Applicant: **Mr. Bar-B-Q Products LLC**, Milville, NY (US)

(72) Inventor: **Marc Zemel**, Melville, NY (US)

(73) Assignee: **MR. BAR-B-Q PRODUCTS LLC**, Melville, NY (US)

(**) Term: **15 Years**

(21) Appl. No.: **29/648,392**

(22) Filed: **May 21, 2018**

(51) **LOC (11) Cl.** **10-04**

(52) **U.S. Cl.**
USPC **D10/57**

(58) **Field of Classification Search**
USPC D10/57

CPC G01J 5/04; G01J 5/041; G01J 5/042; G01J 5/043; G01J 5/044; G01J 5/045; G01J 5/046; G01J 5/047; G01J 5/048; G01J 5/049; G01J 5/0265; G01K 1/02; G01K 1/022; G01K 1/024; G01K 1/08; G01K 1/083; G01K 1/086; G01K 3/00-14; G01K 2003/145; G01K 13/002; G01K 13/004; G01K 2219/00; G01K 5/04-225; G01K 5/22; G01K 221/00

See application file for complete search history.

(56) **References Cited**

U.S. PATENT DOCUMENTS

D617,216 S * 6/2010 Guo D10/57
D637,921 S * 5/2011 Houlihan D10/57

D693,247 S * 11/2013 Juhng D10/57
D805,927 S * 12/2017 Verbrugge D10/57
D827,457 S * 9/2018 Liu D10/57
D837,669 S * 1/2019 Yu D10/57

* cited by examiner

Primary Examiner — Antoine Duval Davis

(74) *Attorney, Agent, or Firm* — Carter, DeLuca & Farrell LLP

(57) **CLAIM**

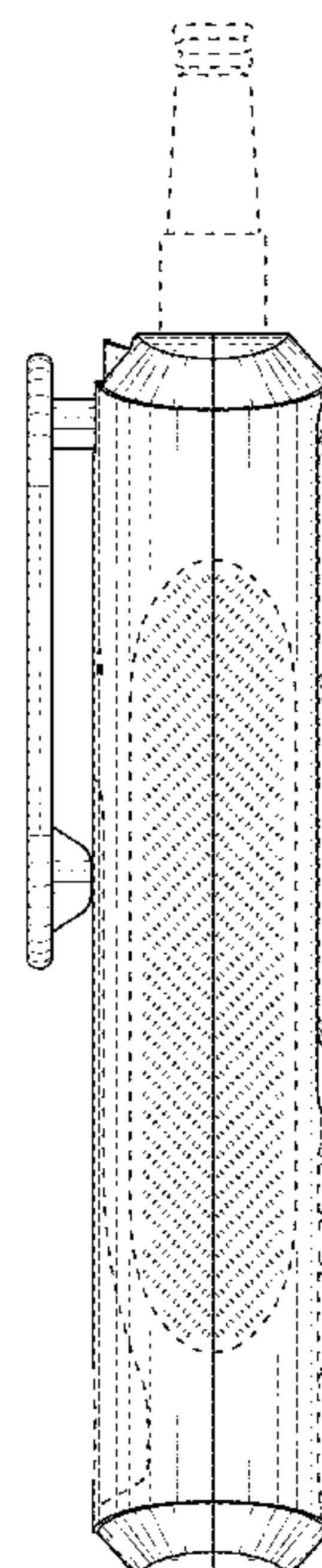
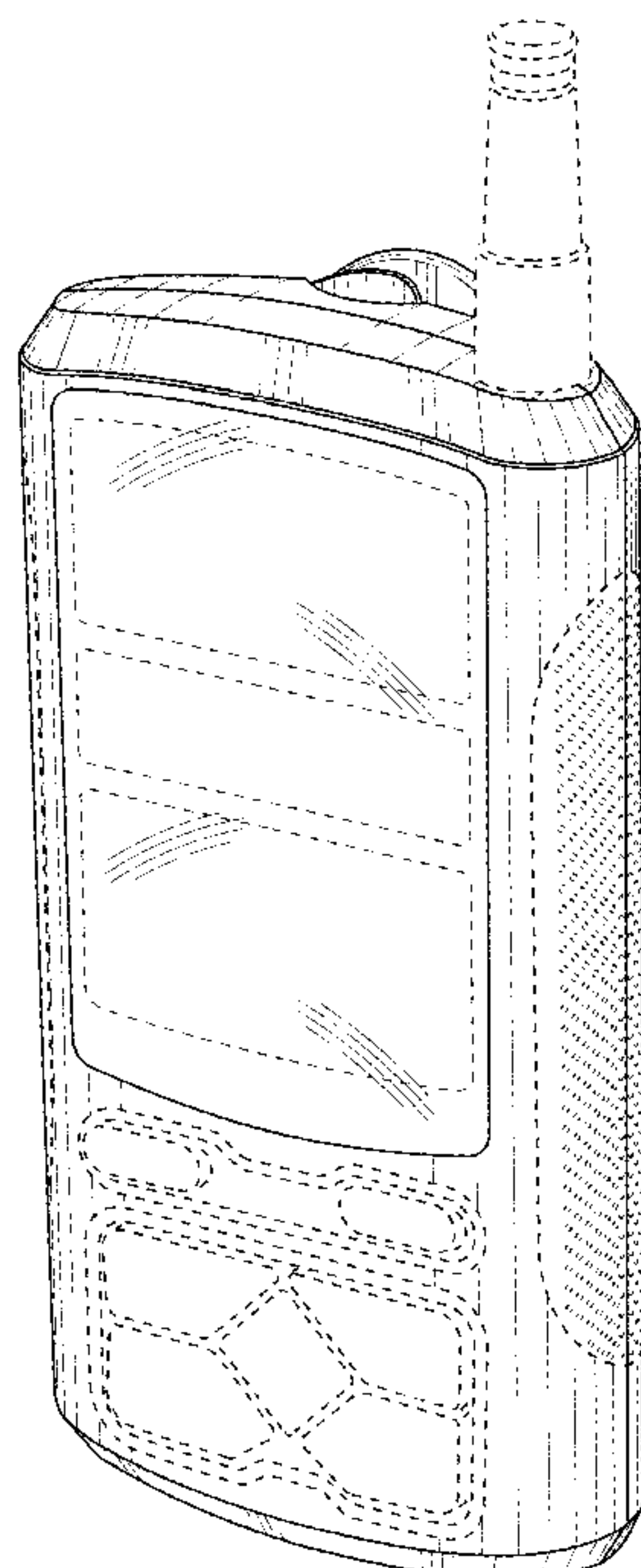
The ornamental design for a thermometer, as shown and described.

DESCRIPTION

FIG. 1 is a perspective view of a thermometer in accordance with the present design;
FIG. 2 is a left side elevational view thereof;
FIG. 3 is a right side elevational view thereof;
FIG. 4 is a front elevational view thereof;
FIG. 5 is a rear elevational view thereof;
FIG. 6 is a top plan view thereof;
FIG. 7 is a bottom plan view thereof; and,
FIG. 8 is a perspective view of the thermometer of FIG. 1 in a cradle thereof.

The broken lines shown in the drawings illustrate portions of the thermometer that form no part of the claimed design.

1 Claim, 5 Drawing Sheets



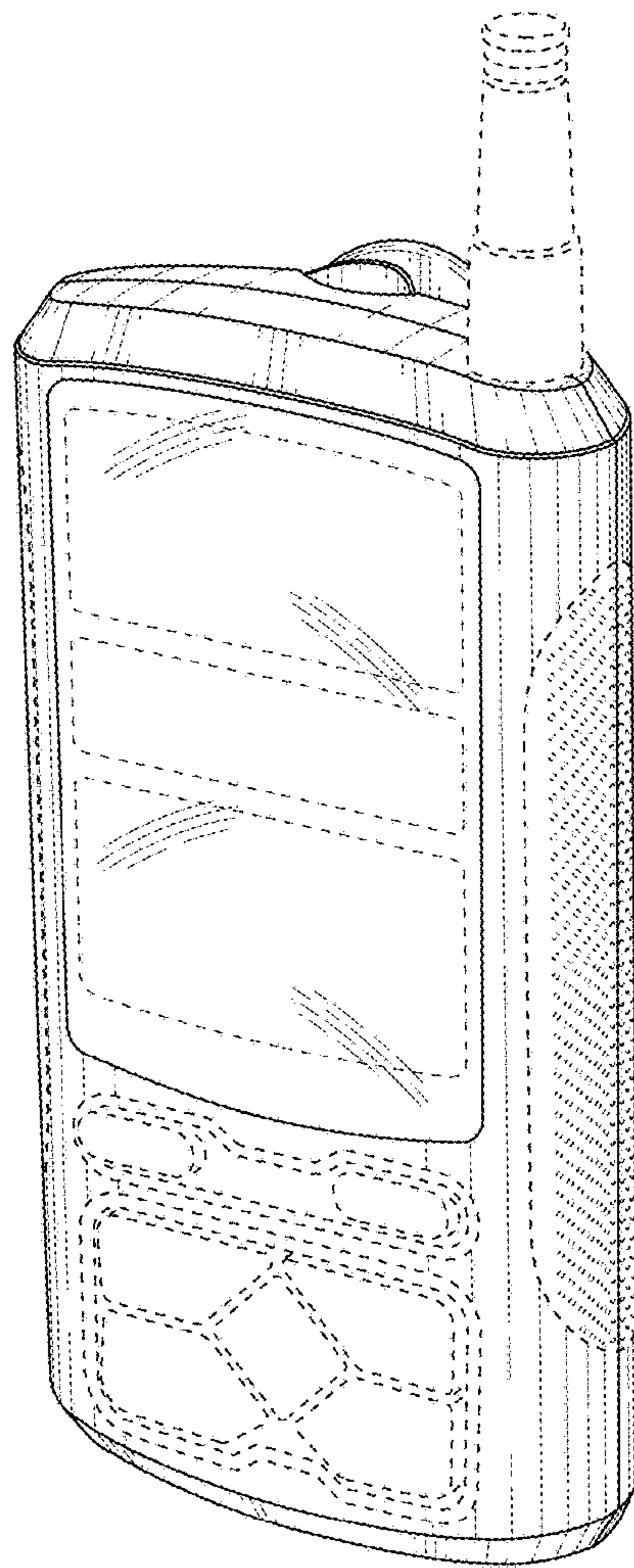


FIG. 1

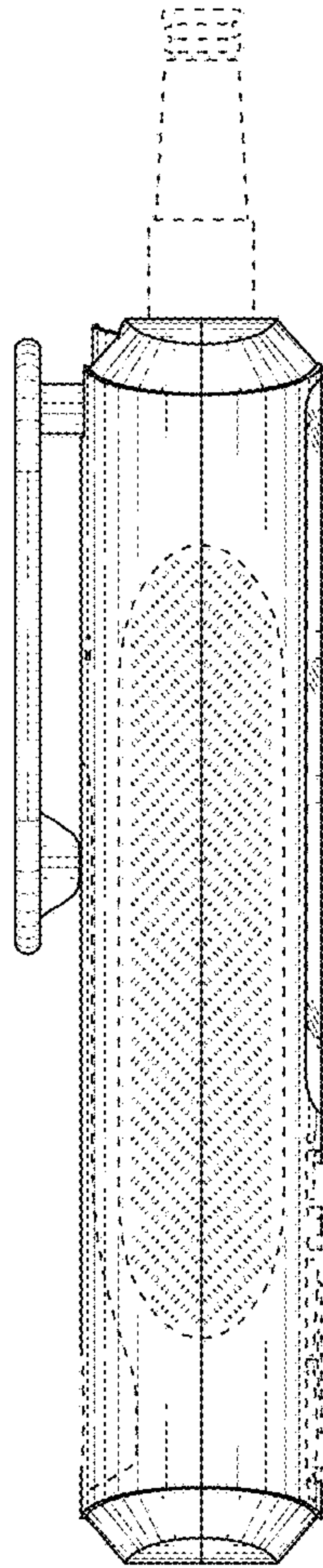


FIG. 2

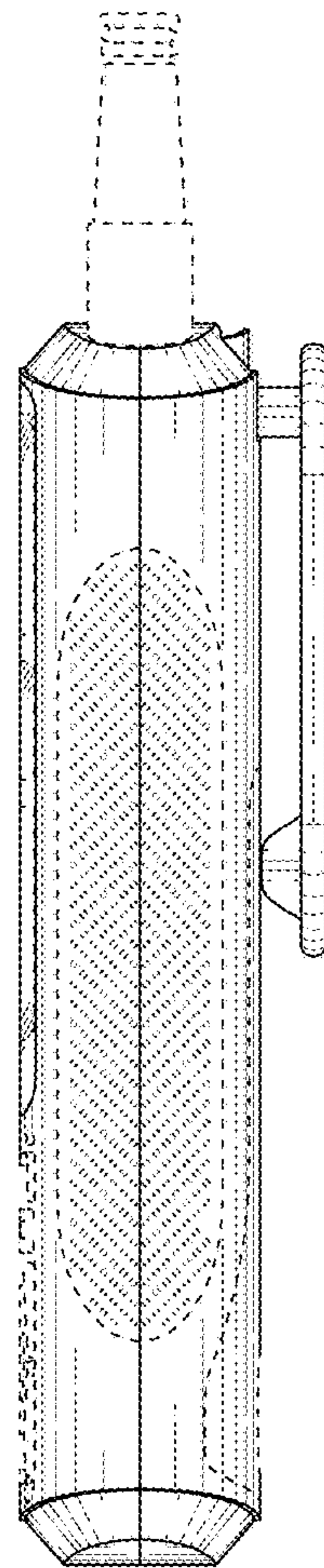


FIG. 3

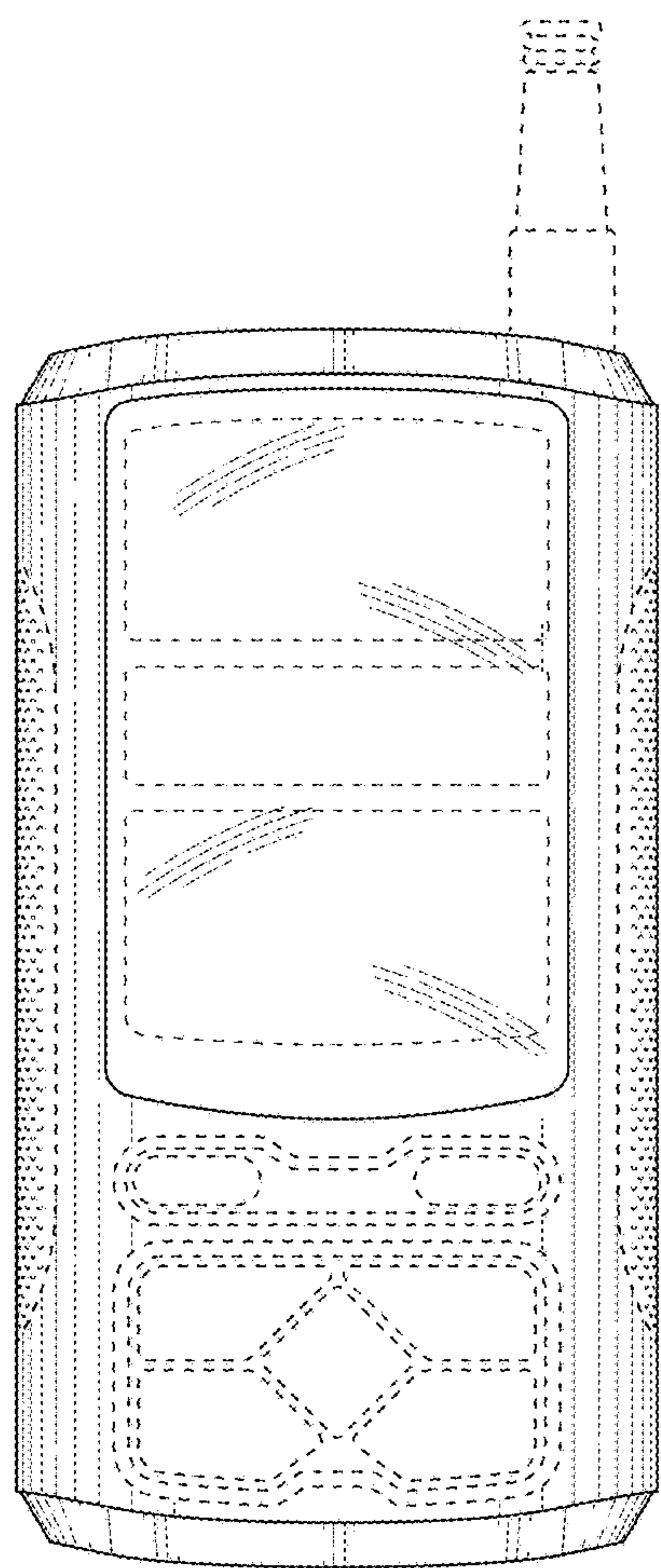


FIG. 4

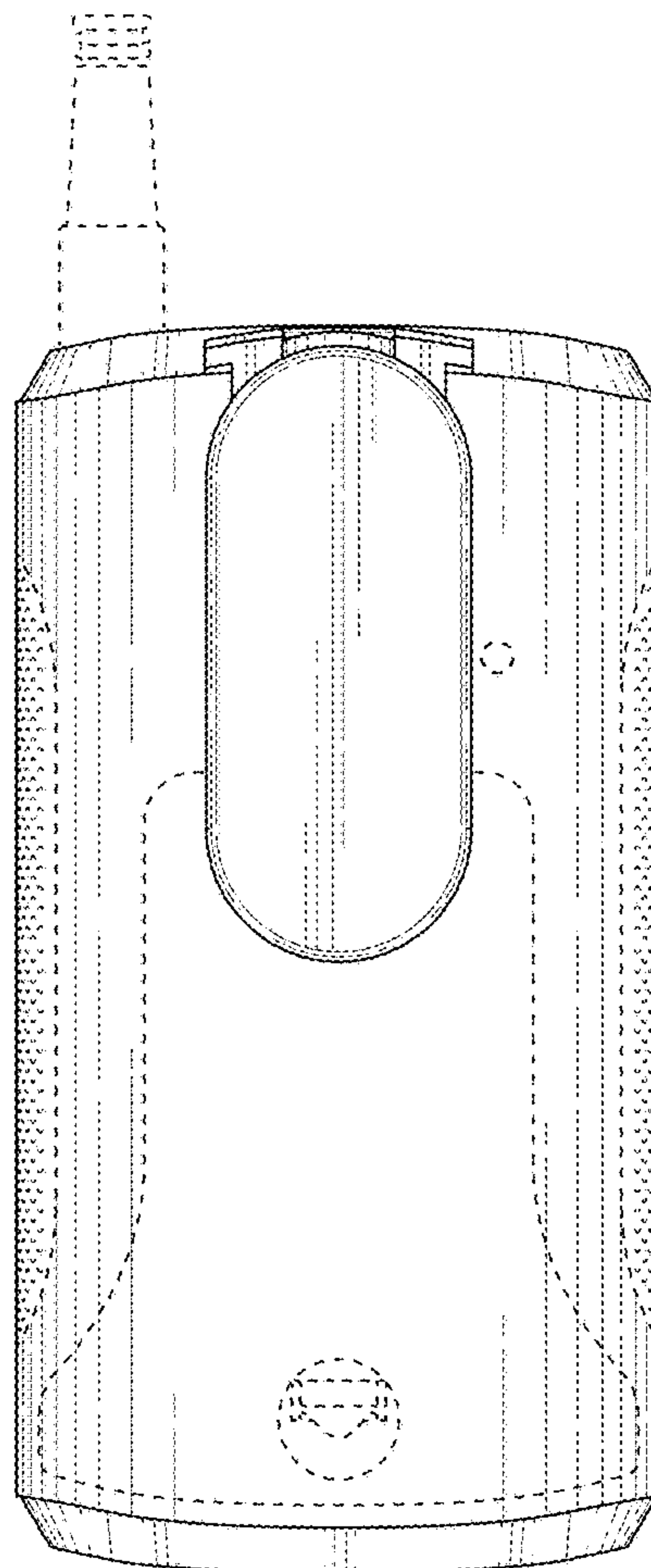


FIG. 5

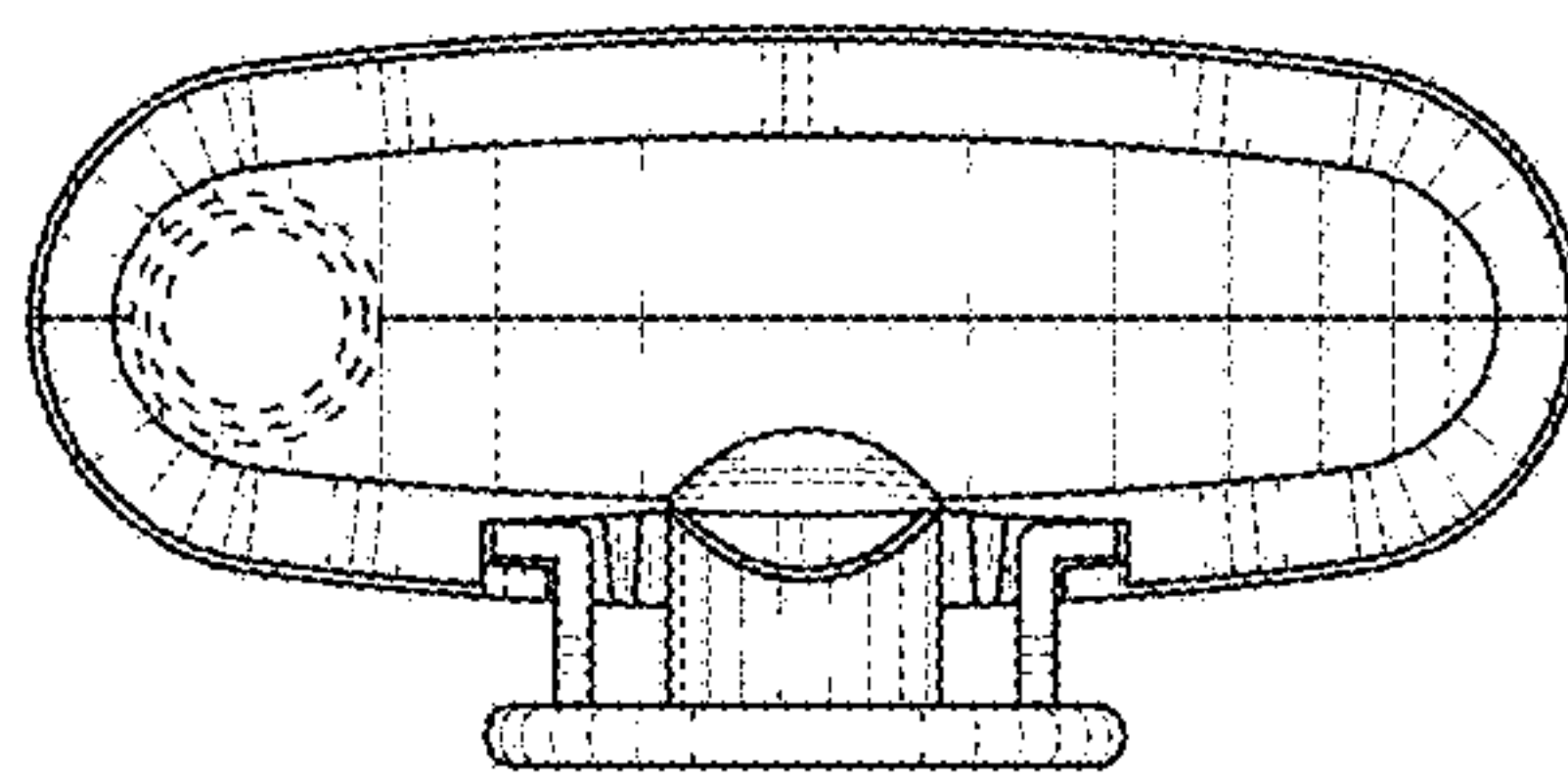


FIG. 6

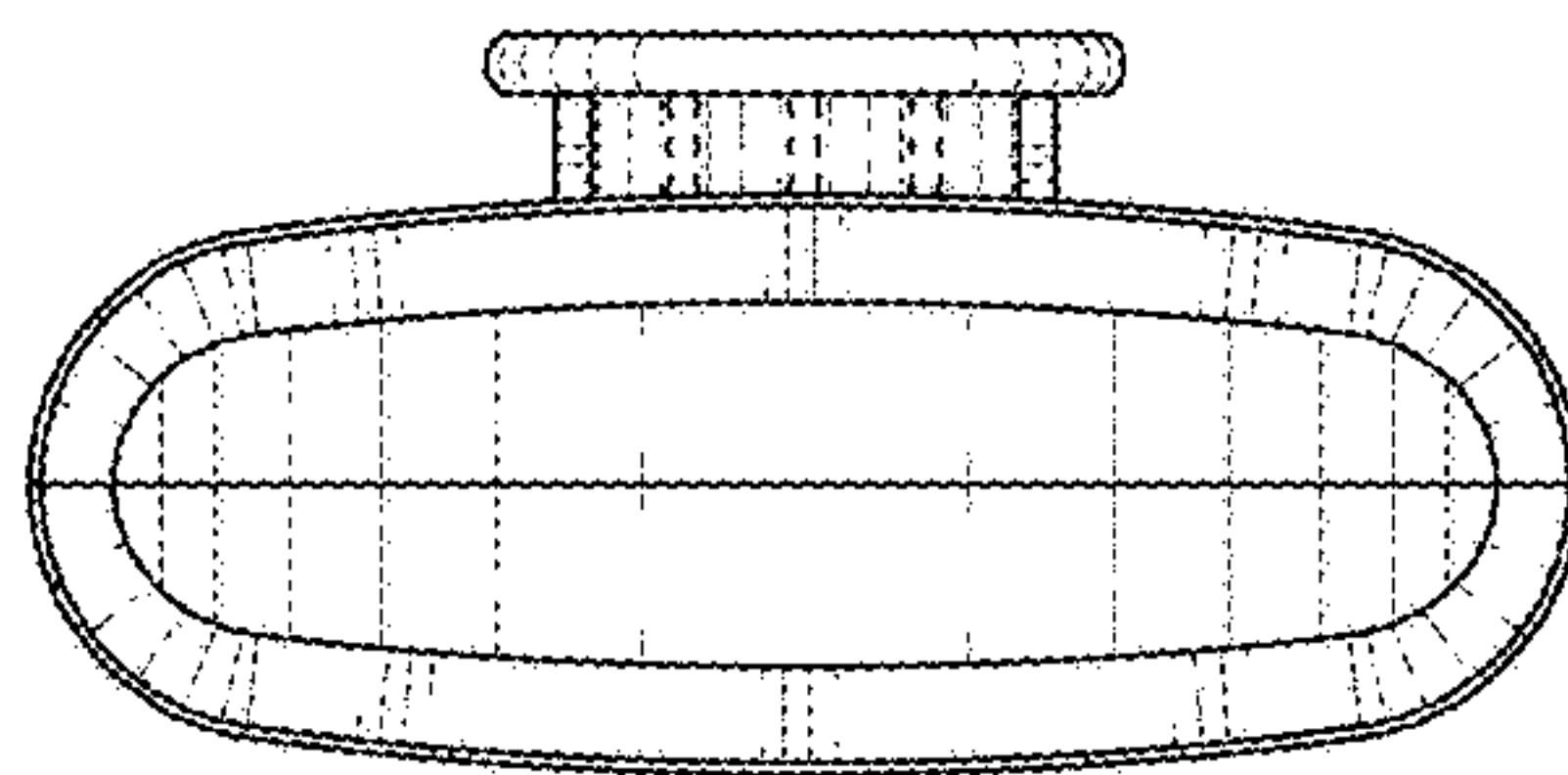


FIG. 7

