



US00D853253S

(12) **United States Design Patent** (10) **Patent No.:** **US D853,253 S**
Zuo (45) **Date of Patent:** **** Jul. 9, 2019**

(54) **FOOD THERMOMETER**

(71) Applicant: **SHENZHEN CENTURY HARVEST HOUSEWARE CO., LTD.**, Shenzhen, Guangdong (CN)

(72) Inventor: **Xihui Zuo**, Guangdong (CN)

(73) Assignee: **SHENZHEN CENTURY HARVEST HOUSEWARE CO., LTD.**, Shenzhen (CN)

(**) Term: **15 Years**

(21) Appl. No.: **29/647,590**

(22) Filed: **May 14, 2018**

(30) **Foreign Application Priority Data**

Apr. 13, 2018 (CN) 2018 3 0152193

(51) **LOC (11) Cl.** **10-04**

(52) **U.S. Cl.**
USPC **D10/57**

(58) **Field of Classification Search**
USPC D10/57
CPC G01K 2207/02; G01K 2207/04; G01K 2207/06; G01K 2207/08

See application file for complete search history.

(56) **References Cited**

U.S. PATENT DOCUMENTS

D809,945 S * 2/2018 Prommel D10/57
D837,668 S * 1/2019 Zou D10/57

* cited by examiner

Primary Examiner — Antoine Duval Davis

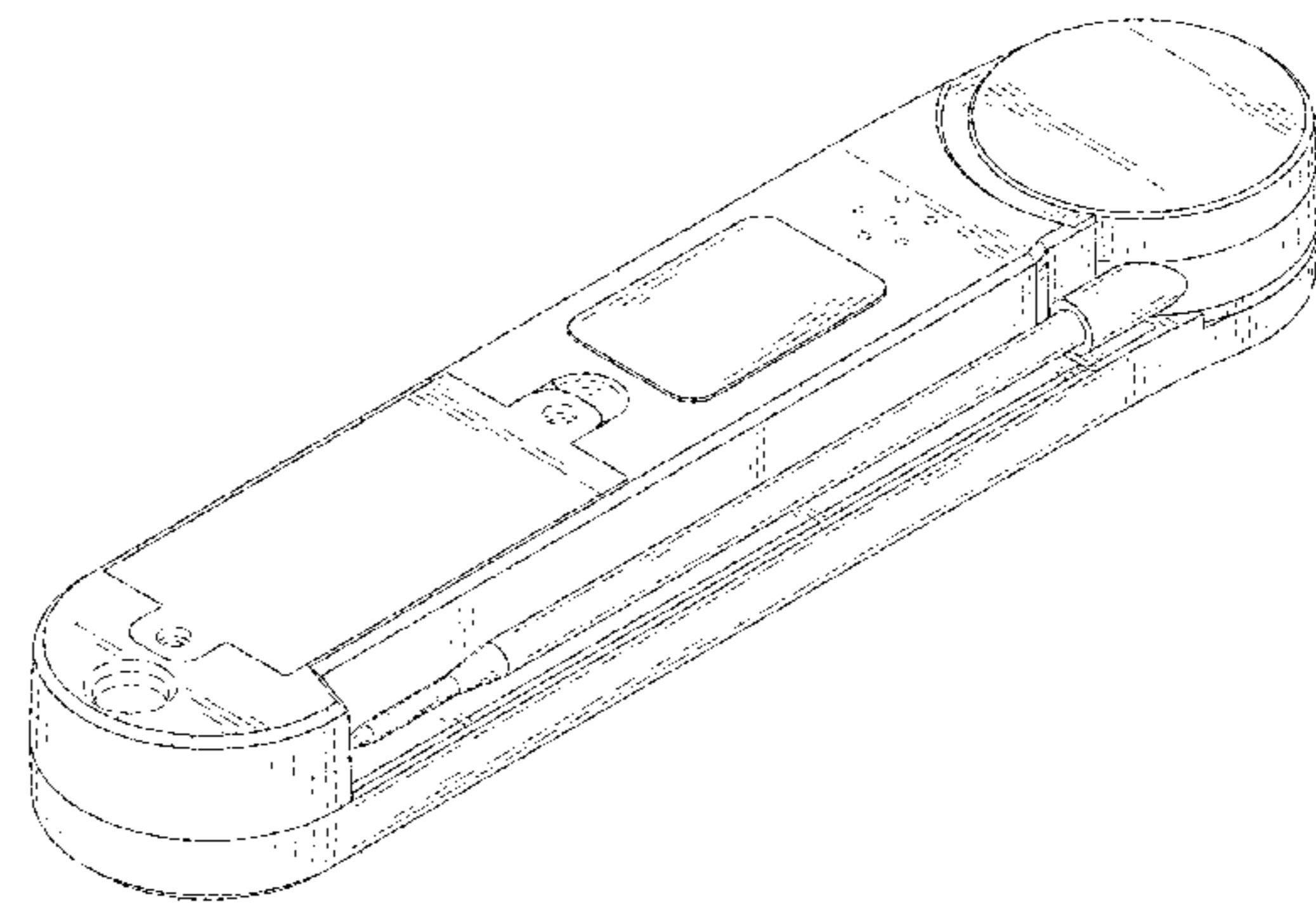
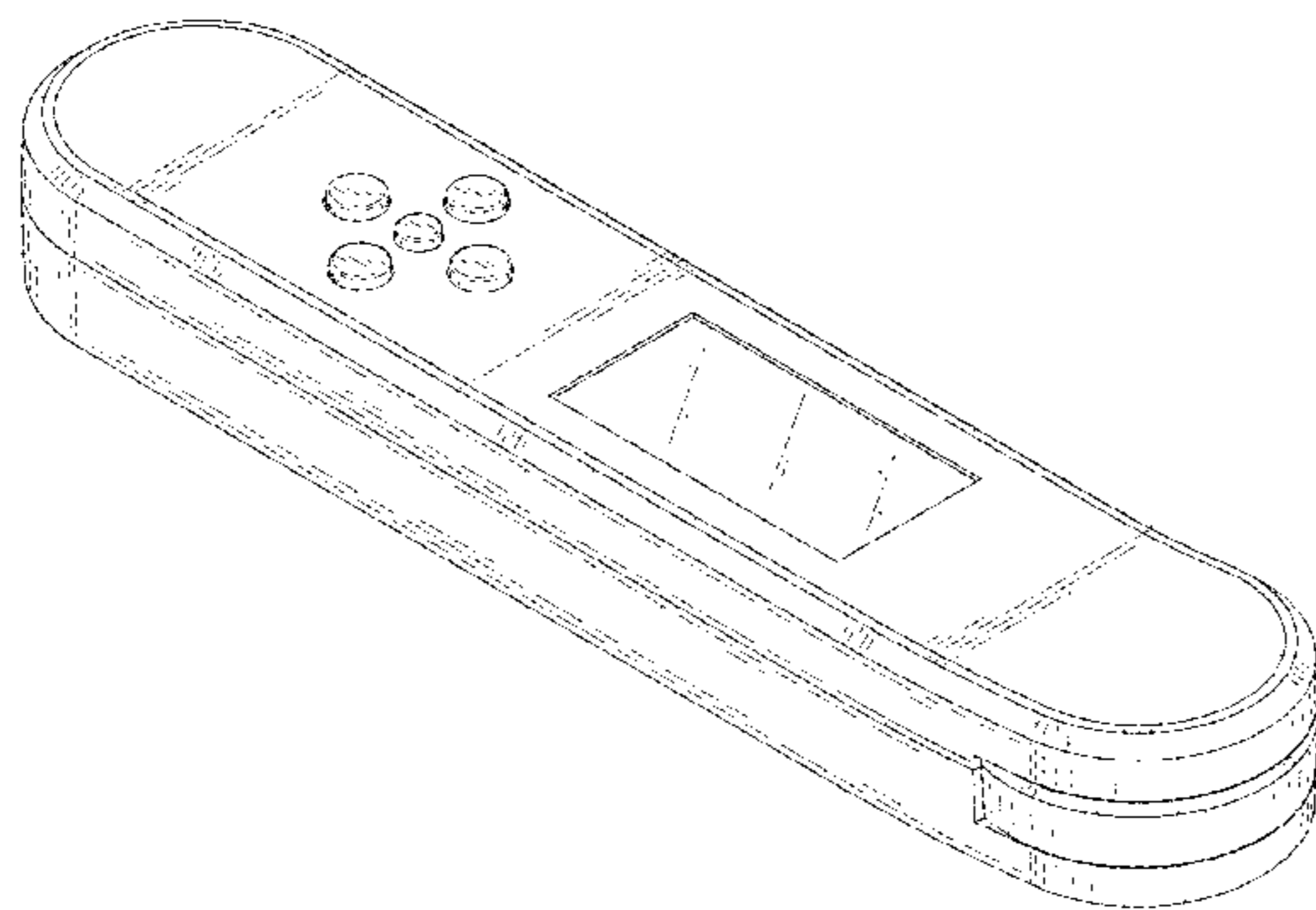
(57) **CLAIM**

The ornamental design for a food thermometer, as shown and described.

DESCRIPTION

FIG. 1 is a top, front and left side perspective view of a food thermometer showing my new design;
FIG. 2 is a bottom, rear and right side perspective view thereof;
FIG. 3 is a front elevational view thereof;
FIG. 4 is a rear elevational view thereof;
FIG. 5 is a left side view thereof;
FIG. 6 is a right side view thereof;
FIG. 7 is a top plan view thereof; and,
FIG. 8 is a bottom plan view thereof.
The broken lines in the drawings illustrate portions of the food thermometer which form no part of the claimed design. The oblique lines in the drawings represent reflective surfaces.

1 Claim, 8 Drawing Sheets



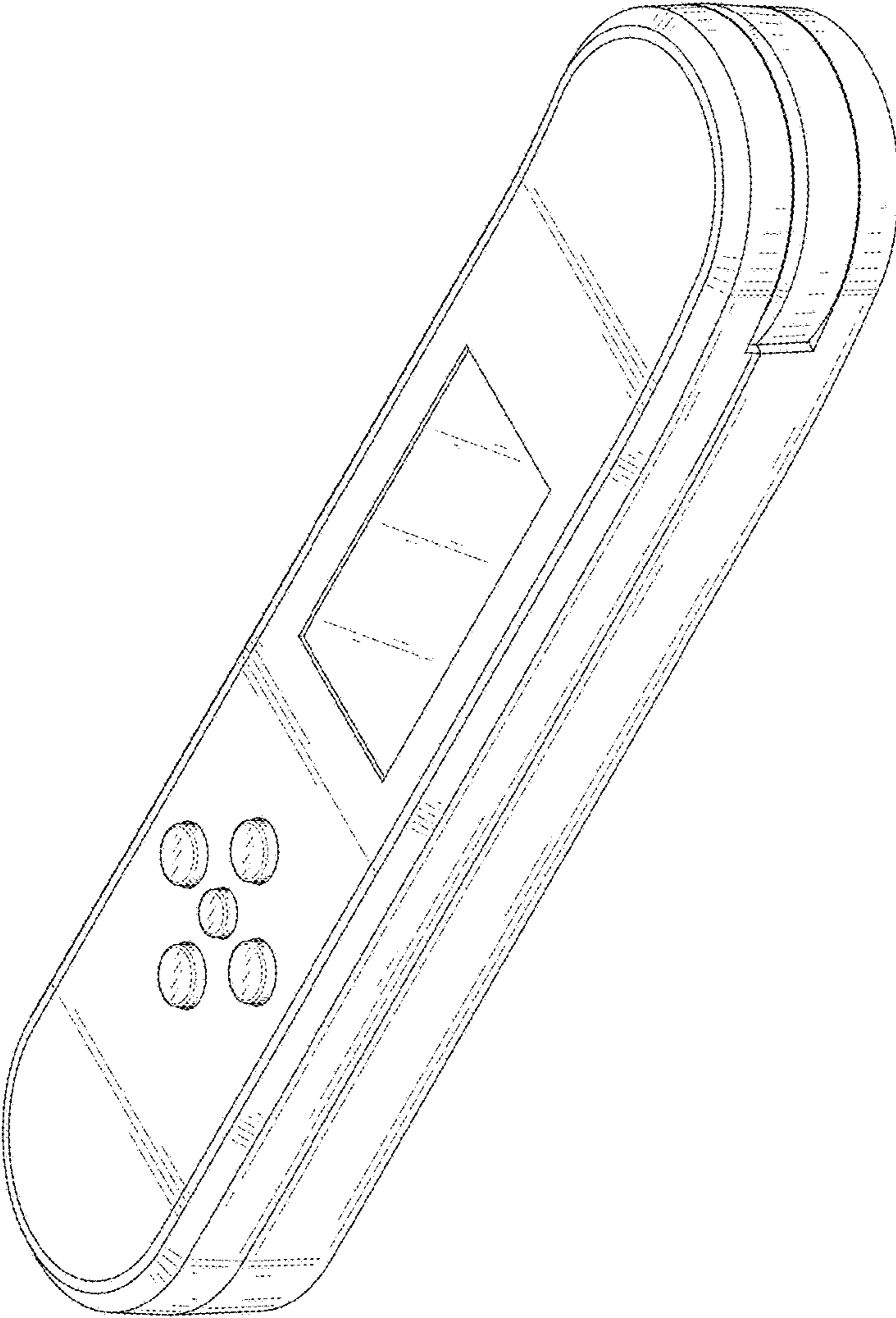


FIG. 1

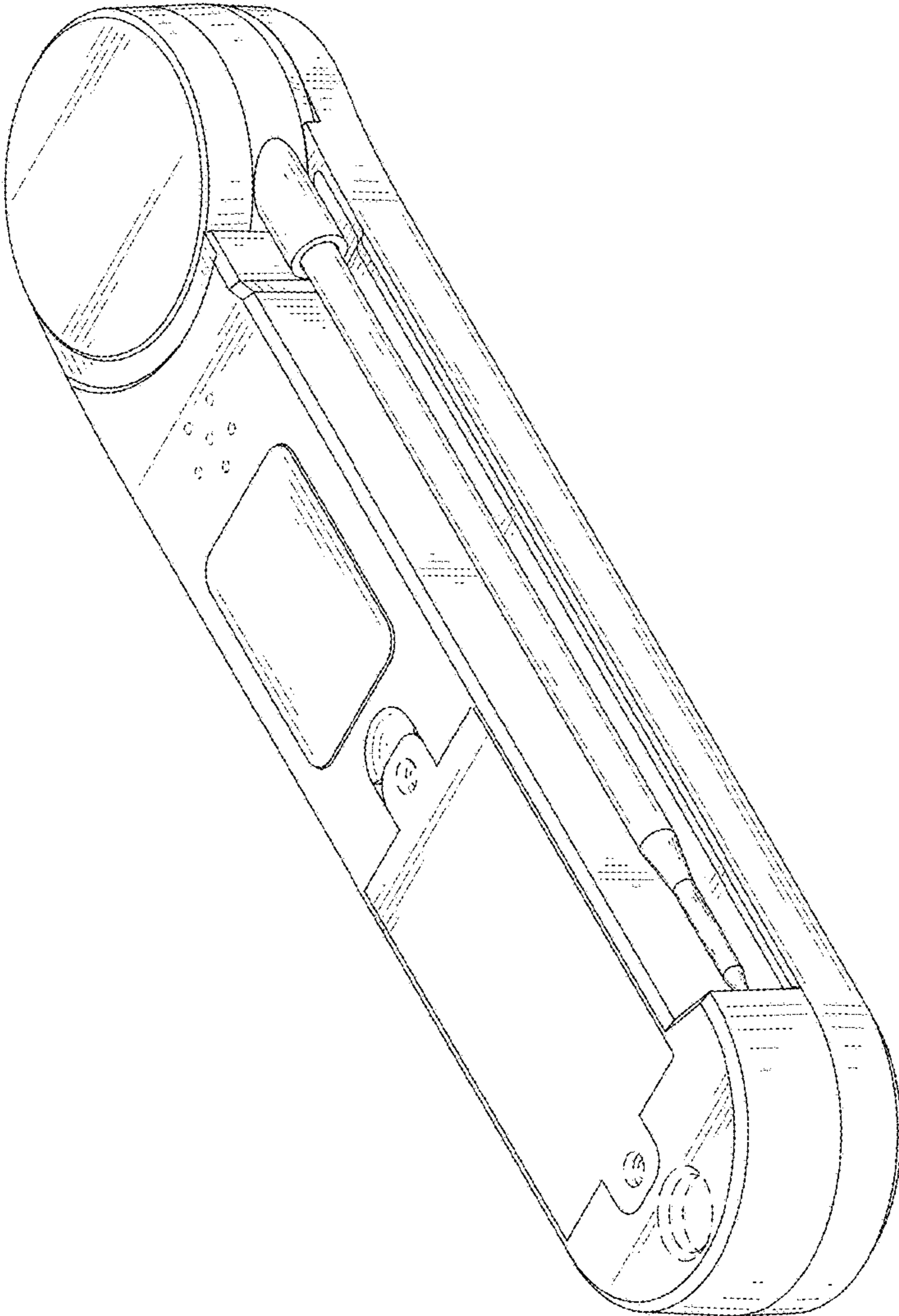


FIG. 2

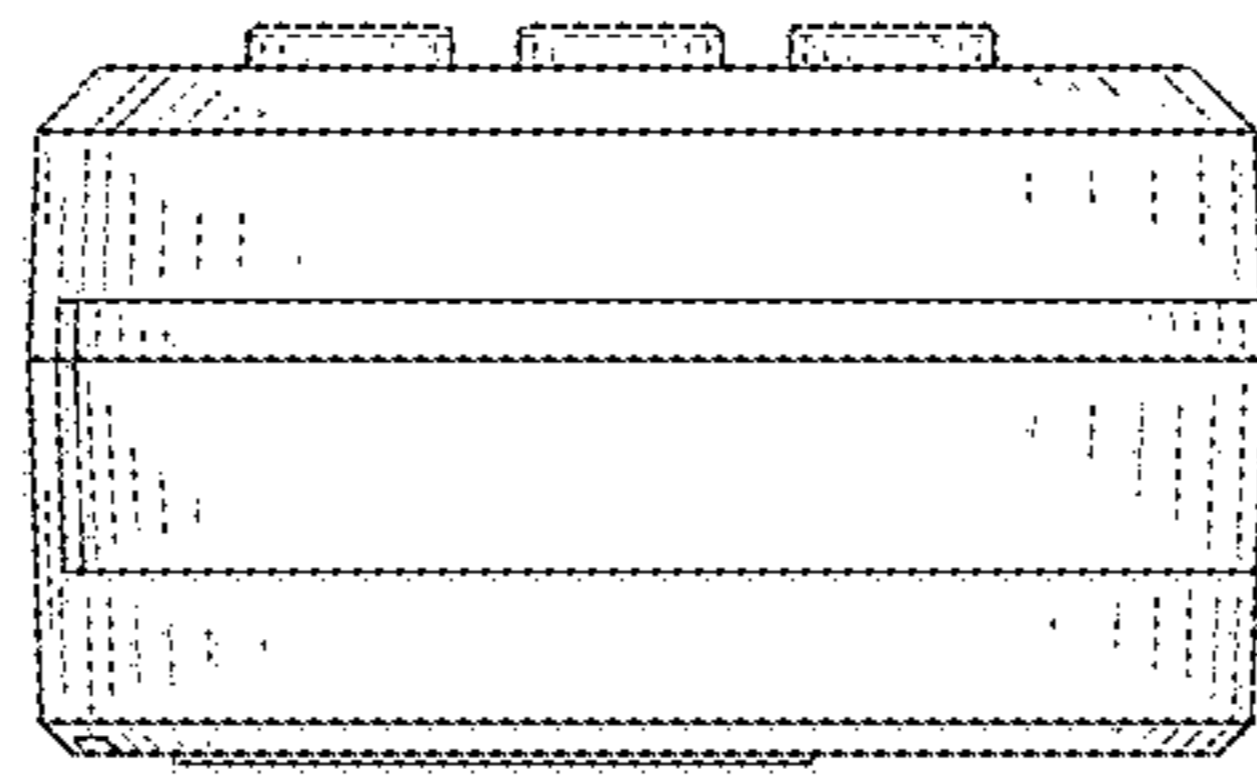


FIG. 3

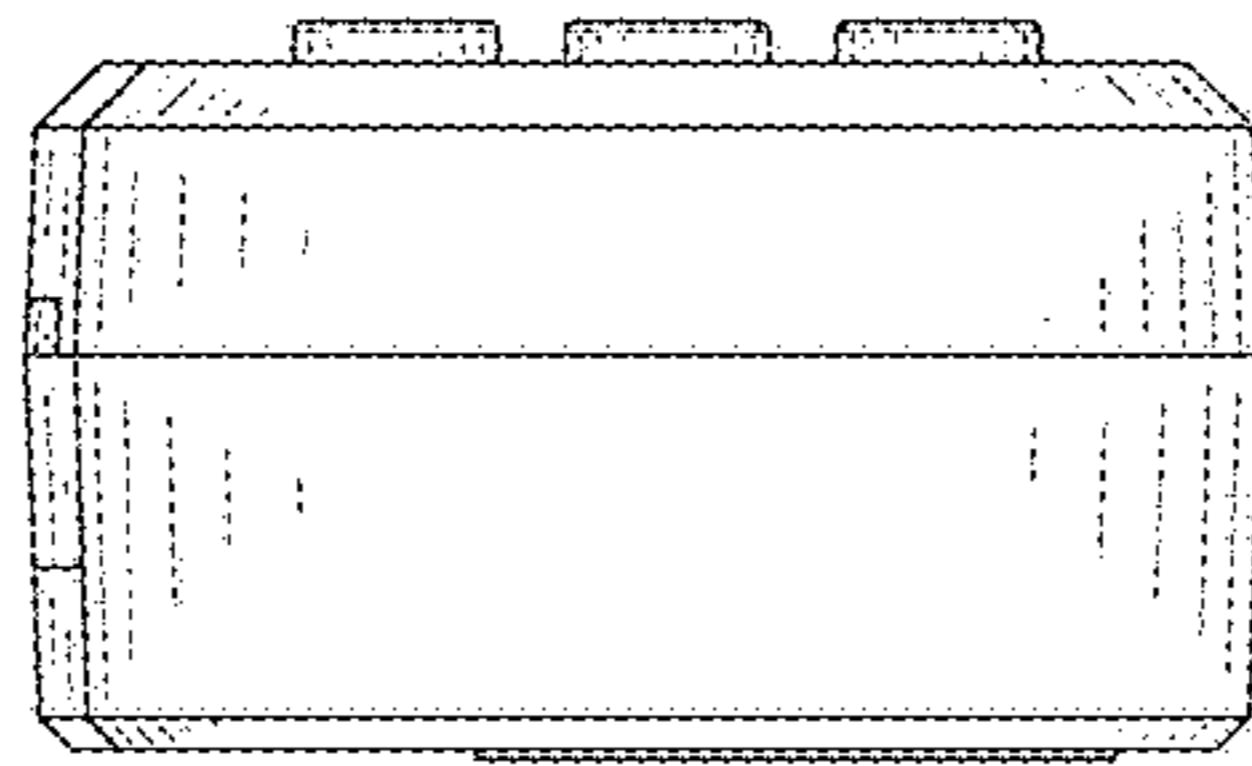


FIG. 4

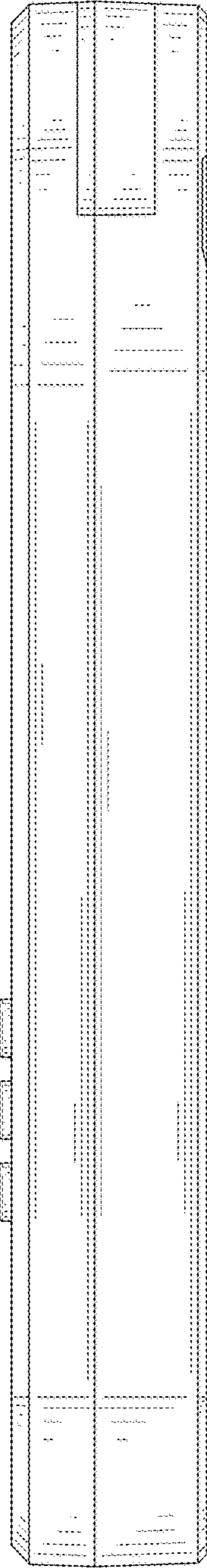


FIG. 5

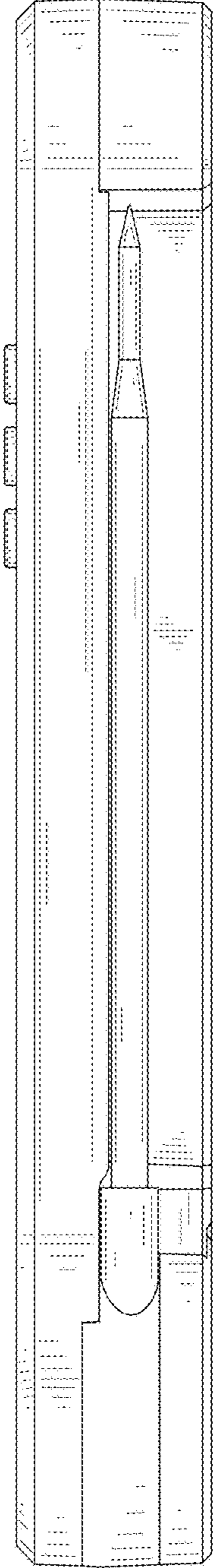


FIG. 6

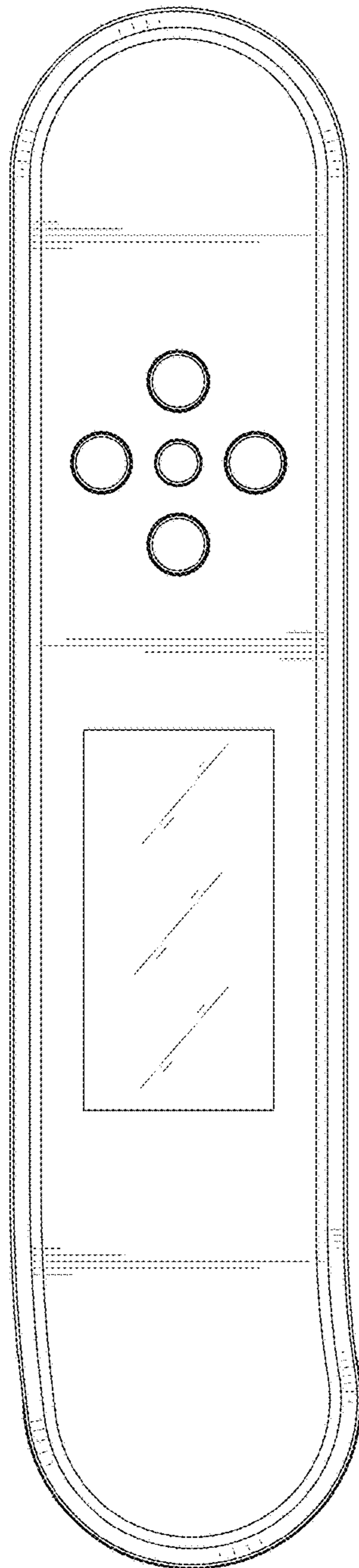


FIG. 7

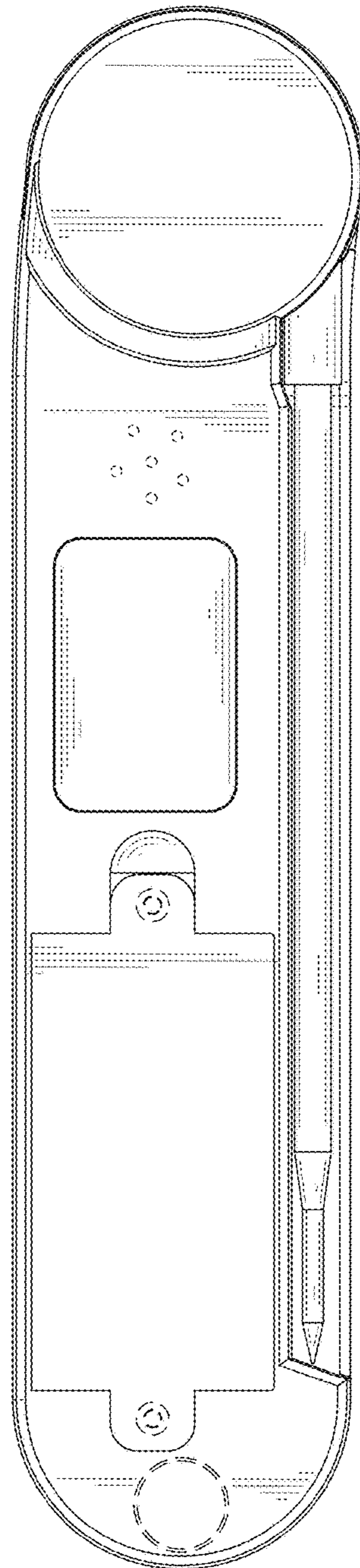


FIG. 8