



US00D853250S

(12) **United States Design Patent** (10) **Patent No.:** **US D853,250 S**
Ducas (45) **Date of Patent:** **** Jul. 9, 2019**

(54) **WATCH**

D642,074 S * 7/2011 Chastaingt D10/32
D650,704 S * 12/2011 Actis-Datta D10/32
D701,778 S * 4/2014 Duport D10/32

(71) Applicant: **Van Cleef & Arpels SA,**
Villars-sur-Glane (CH)

(72) Inventor: **Sebastien Ducas,** Paris (FR)

(73) Assignee: **Van Cleef & Arpels SA,**
Villars-sur-Glane (CH)

(**) Term: **15 Years**

(21) Appl. No.: **29/604,391**

(22) Filed: **May 17, 2017**

(30) **Foreign Application Priority Data**

Nov. 18, 2016 (WO) 1419801

(51) **LOC (11) Cl.** **10-02**

(52) **U.S. Cl.**
USPC **D10/32**

(58) **Field of Classification Search**

USPC D10/1, 30-34, 36, 37, 38, 39, 123, 124,
D10/126; D11/1, 2, 3, 4, 12, 14

CPC G04B 3/04; G04B 3/048; G04B 19/02;
G04B 19/04; G04B 19/044; G04B
19/048; G04B 19/06; G04B 19/065;
G04B 19/10; G04B 19/12; G04B 19/24;
G04B 19/26; G04B 5/005; G04B 5/20

See application file for complete search history.

(56) **References Cited**

U.S. PATENT DOCUMENTS

D303,639 S * 9/1989 Wagner D11/4
D436,045 S * 1/2001 Giardiello D10/32
D473,483 S * 4/2003 Hardy D11/3
D517,442 S * 3/2006 Polk, III D11/4
D591,634 S * 5/2009 Gorman D11/4

OTHER PUBLICATIONS

Amazon, Accessorize Ladies "Bow Tie" Charm Ribbon Strap Watch, posted Jan. 31, 2011, [online], [site visited Nov. 2, 2018]. Available from Internet, <URL: https://www.amazon.co.uk/Accessorize-Ladies-Charm-Ribbon-S1066/dp/B004JHY34Y/ref=sr_1_257?ie=UTF8&qid=1541191734&sr=8-257&keywords=bow+watch> (Year: 2011).*

Flickr, Disney Diamond Bow Tie Womens Watch: Open, posted Jun. 23, 2014, [online], [site visited Nov. 2, 2018]. Available from Internet, <URL: <https://www.flickr.com/photos/ttichy/14522123663/in/photostream/>> (Year: 2014).*

* cited by examiner

Primary Examiner — Sheryl Lane

Assistant Examiner — Samantha N Wood

(74) *Attorney, Agent, or Firm* — Taft Stettinius & Hollister LLP

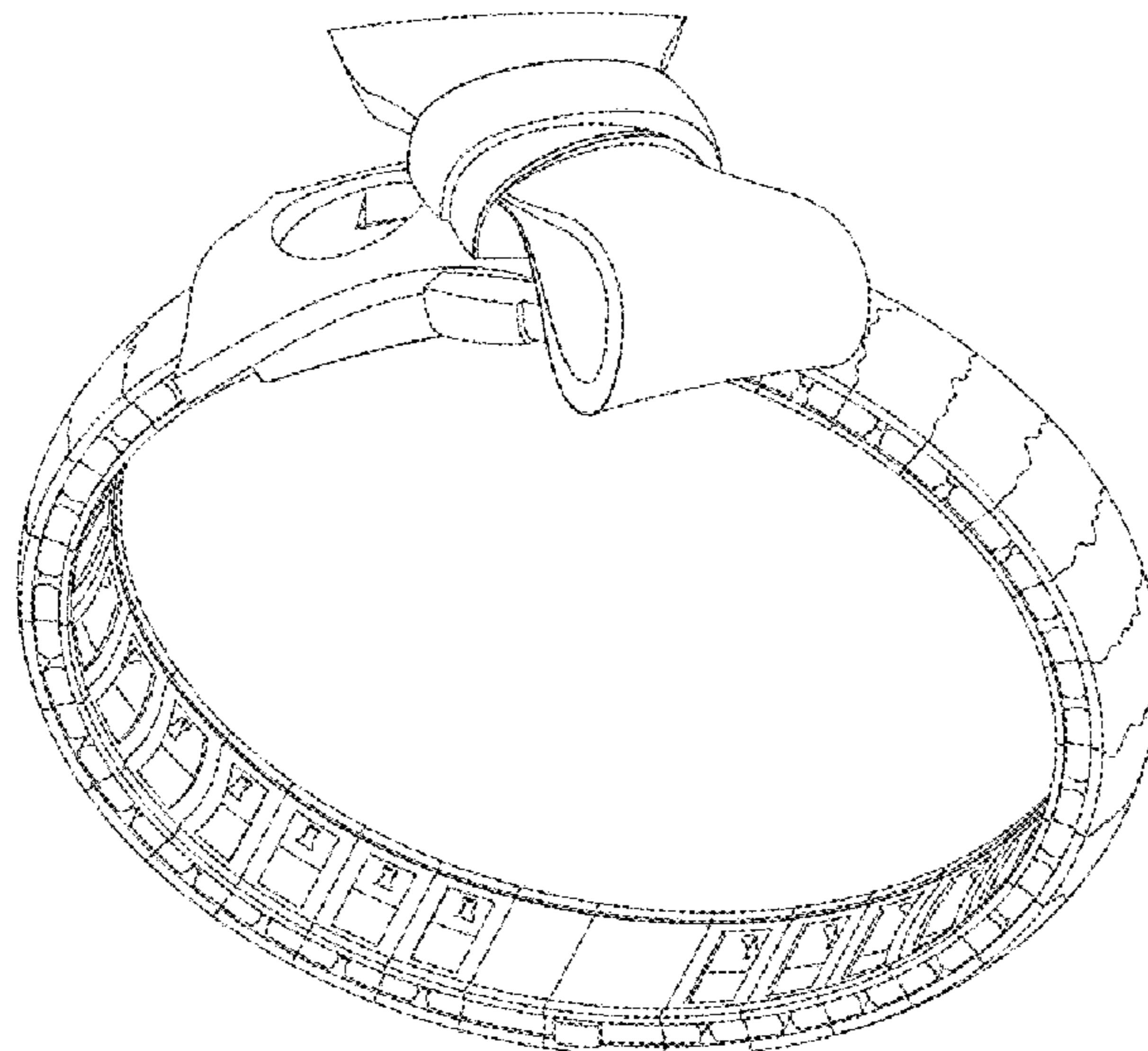
(57) **CLAIM**

The ornamental design of a watch, as shown and described.

DESCRIPTION

FIG. 1 is a front elevational view of a watch showing my new design illustrating an open position of a rotatably movable ribbon element to permit viewing of the watch dial; FIG. 2 is a back elevational view thereof; FIG. 3 is a right side elevational view thereof; FIG. 4 is a left side elevational view thereof; FIG. 5 is a top plan view thereof; FIG. 6 is a bottom plan view thereof; FIG. 7 is a front, right side perspective view thereof; and, FIG. 8 is a right, front perspective view of the watch illustrating an alternate, closed position of the rotatably movable ribbon element to cover the watch dial.

1 Claim, 1 Drawing Sheet



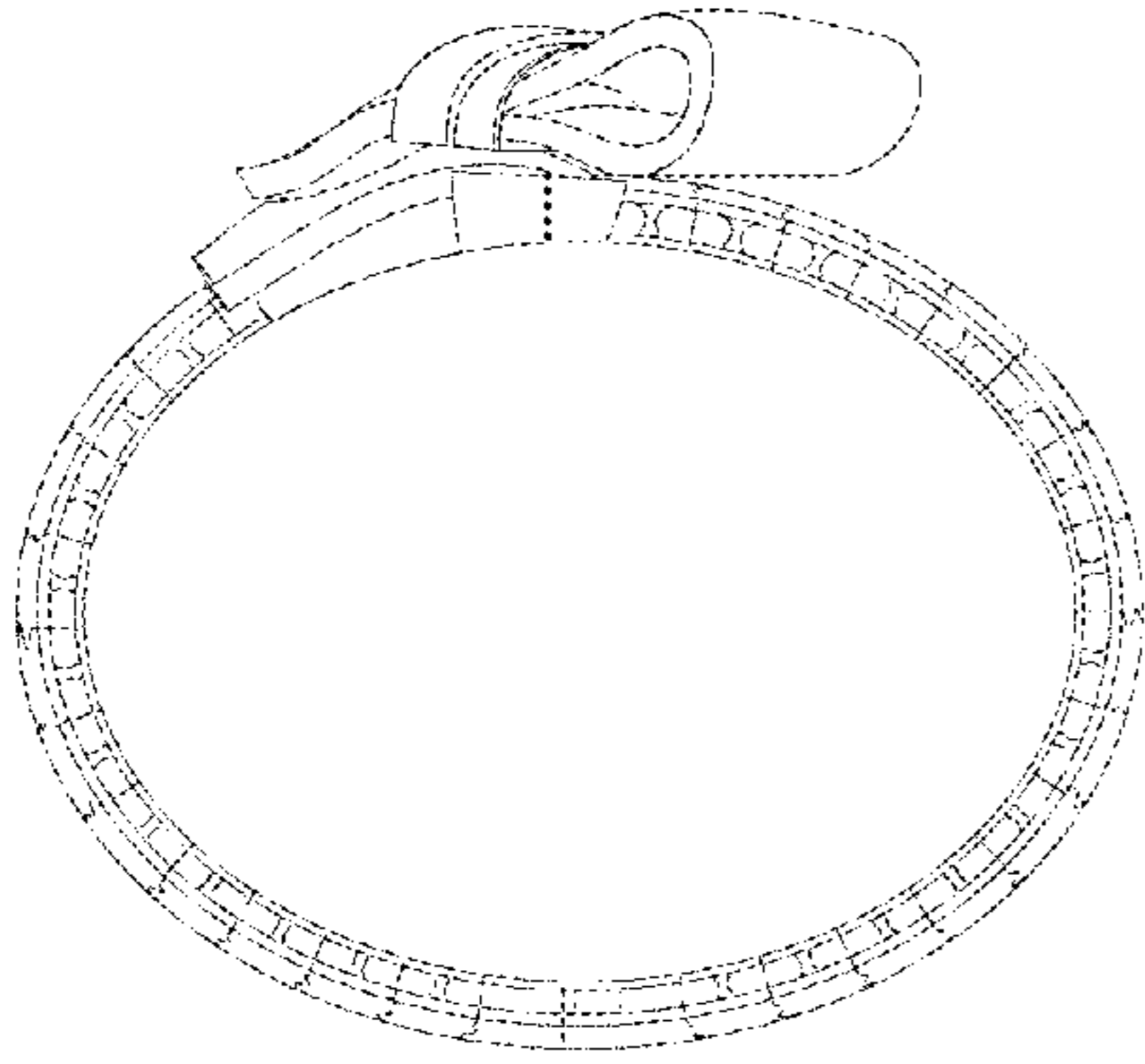


Fig. 1

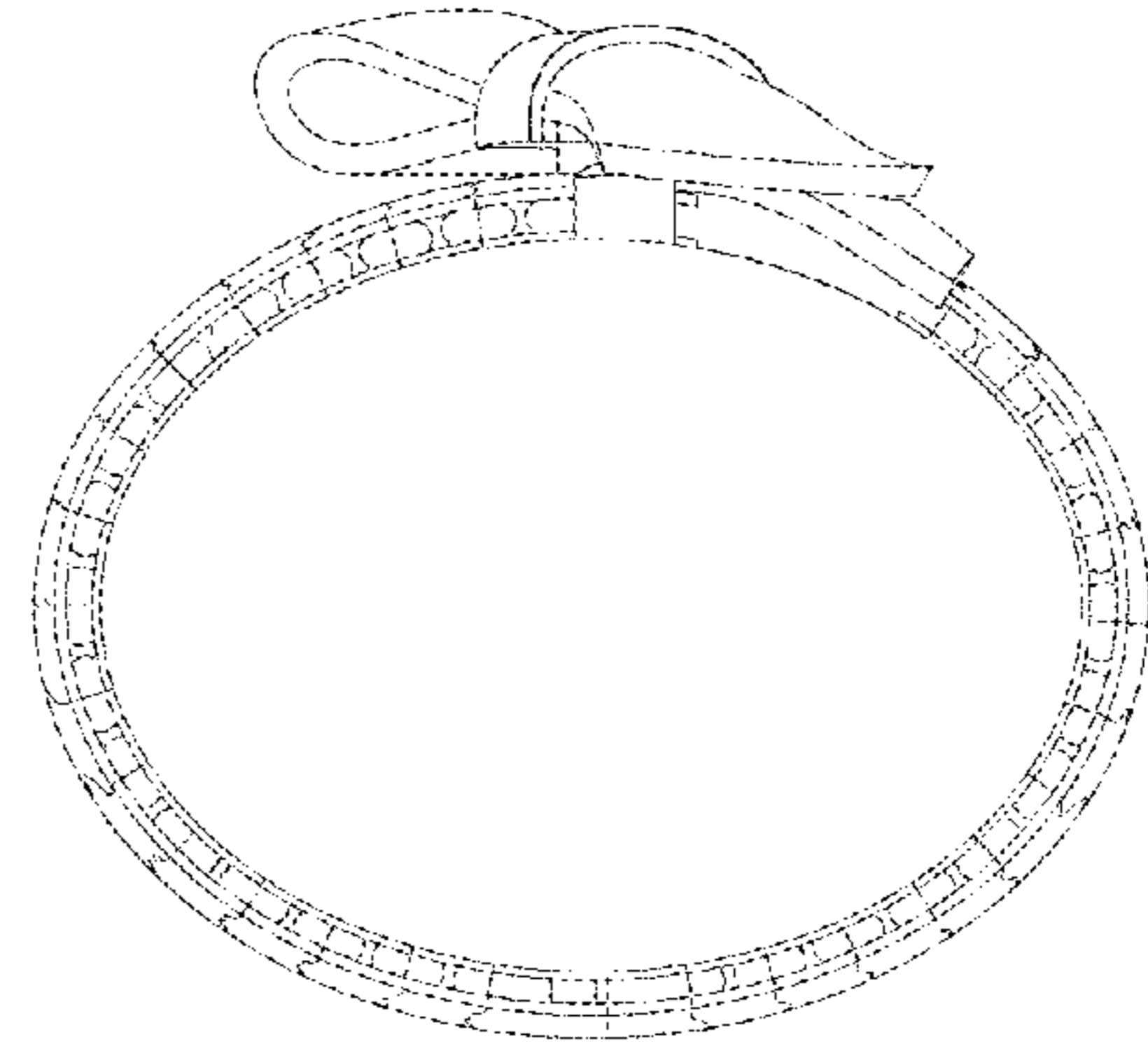


Fig. 2

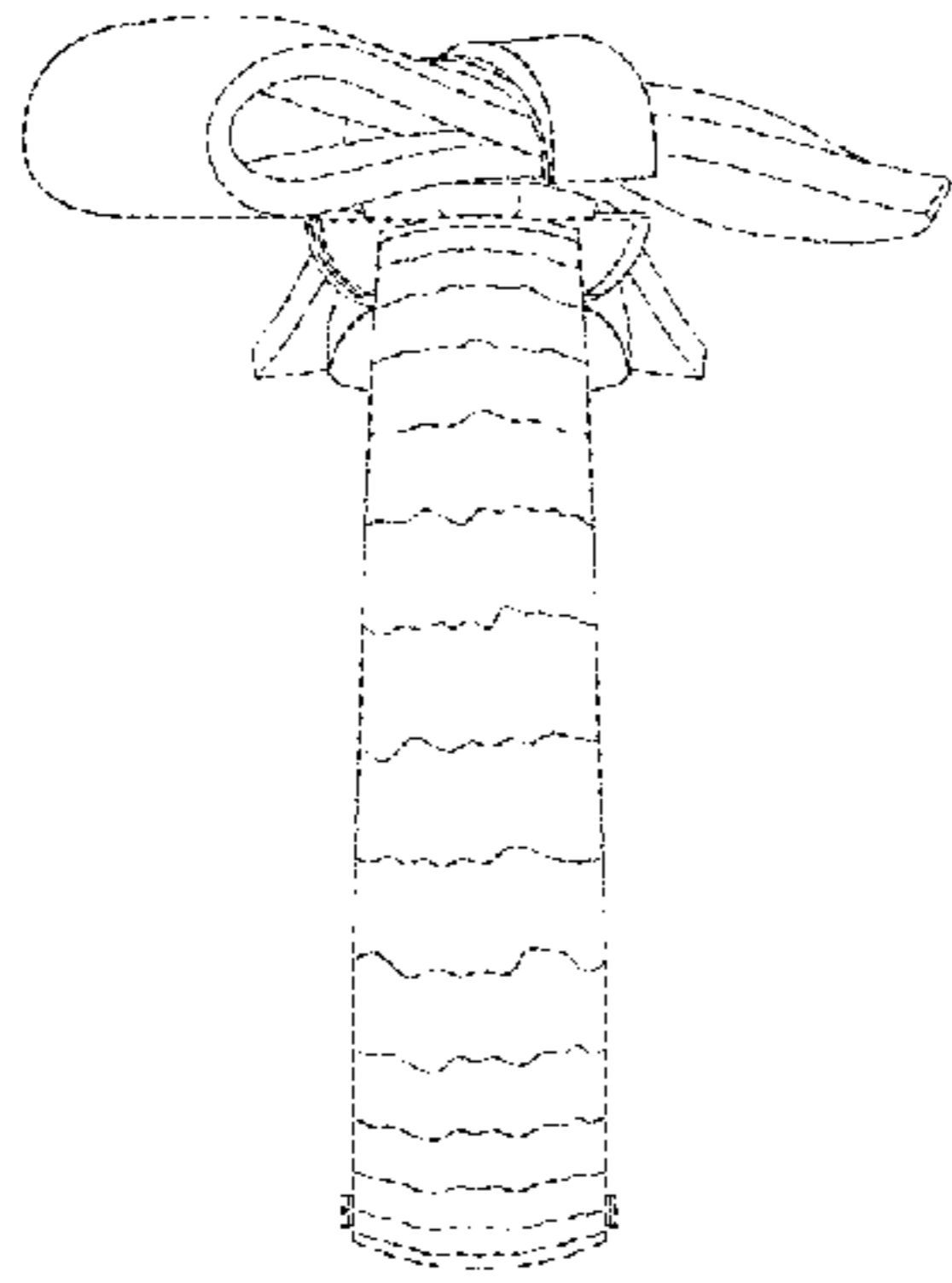


Fig. 3

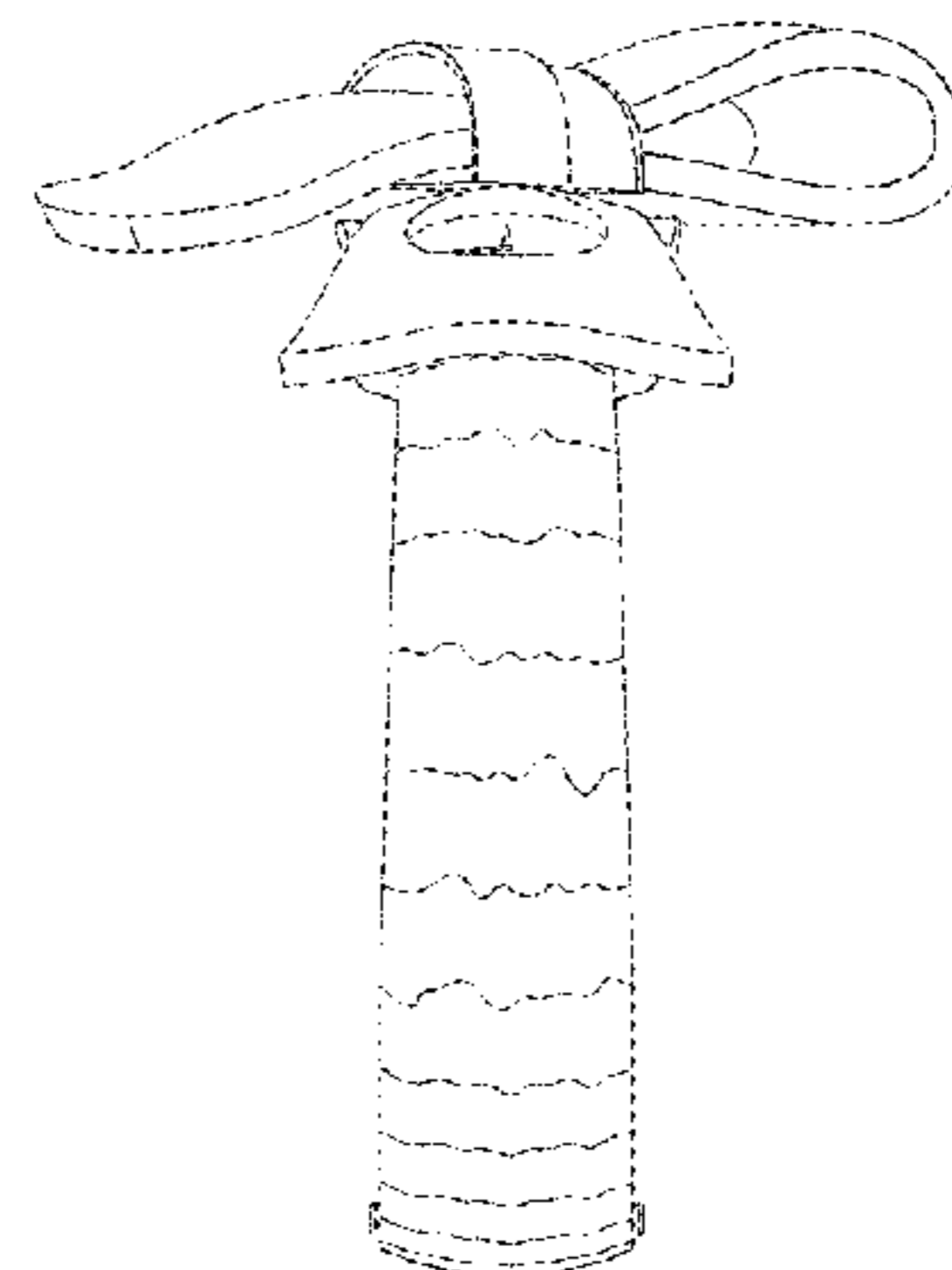


Fig. 4

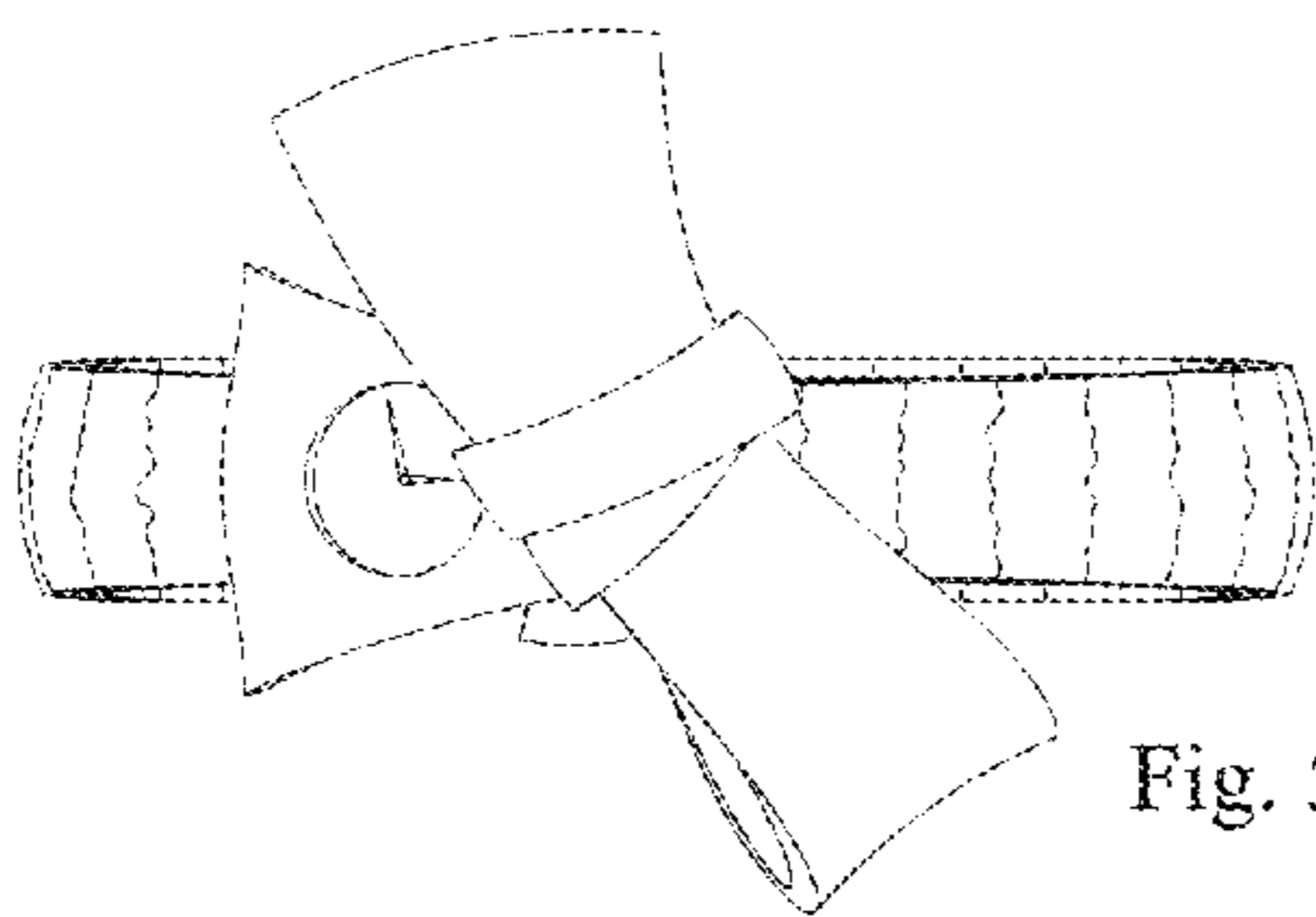


Fig. 5

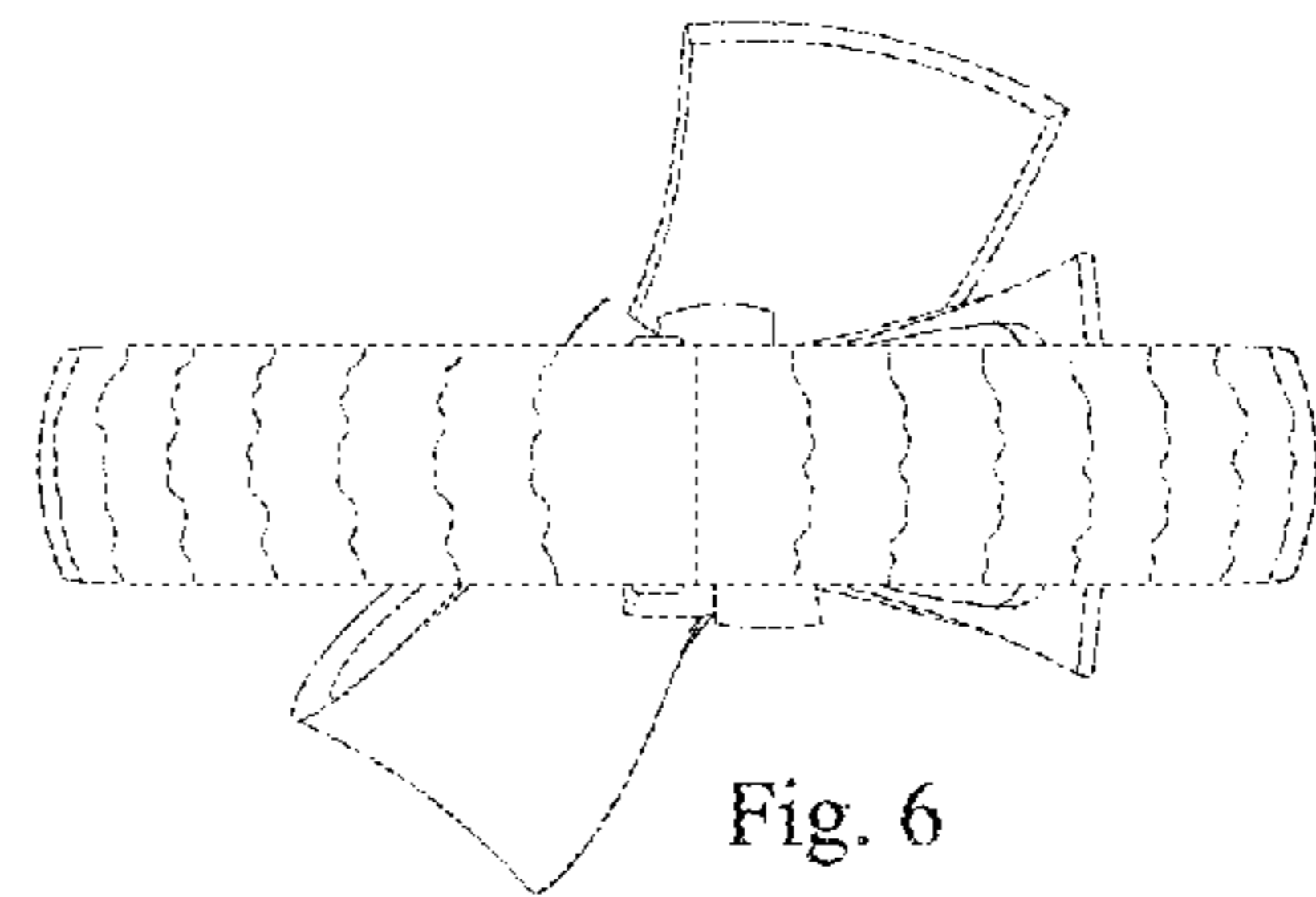


Fig. 6

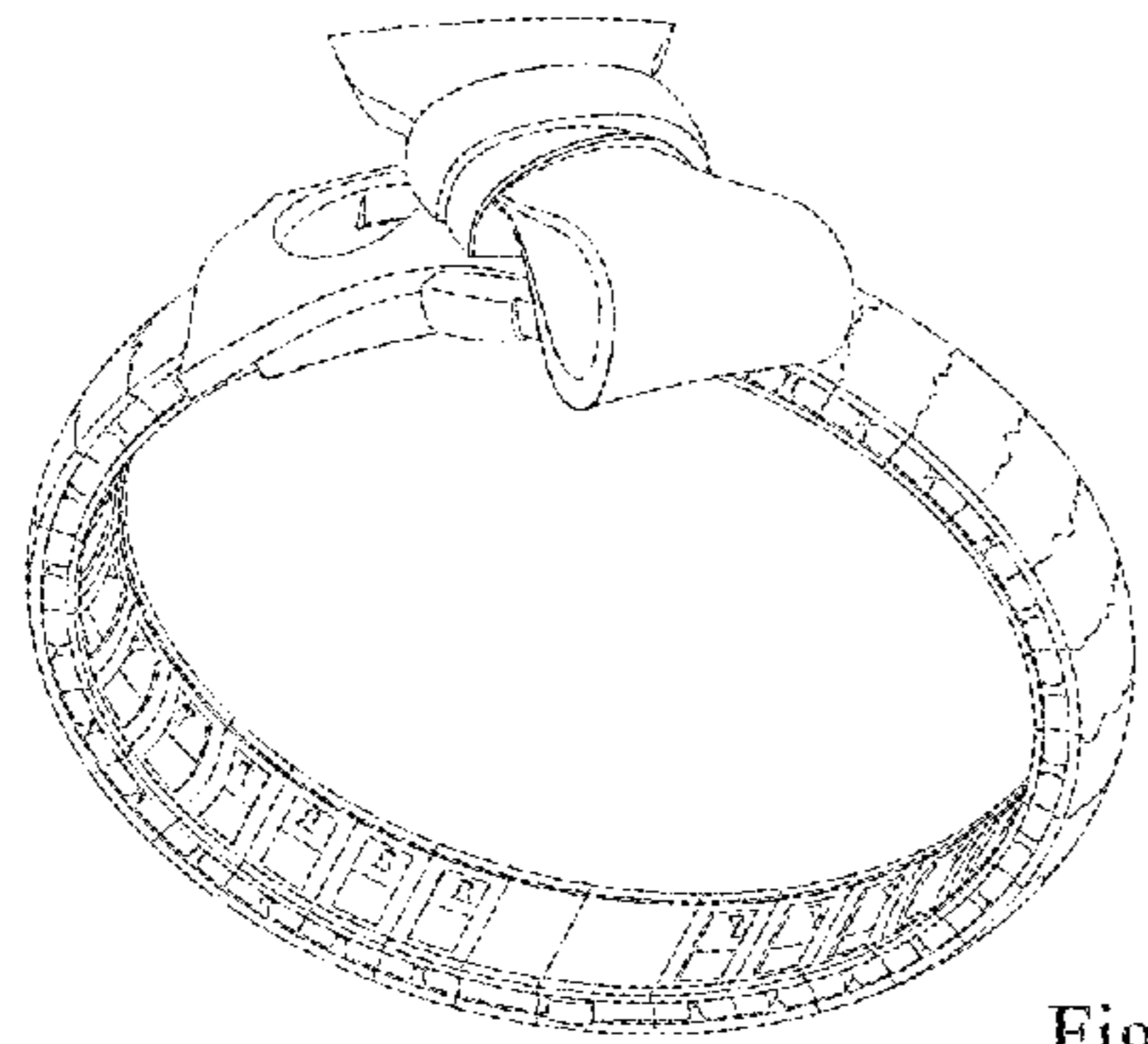


Fig. 7

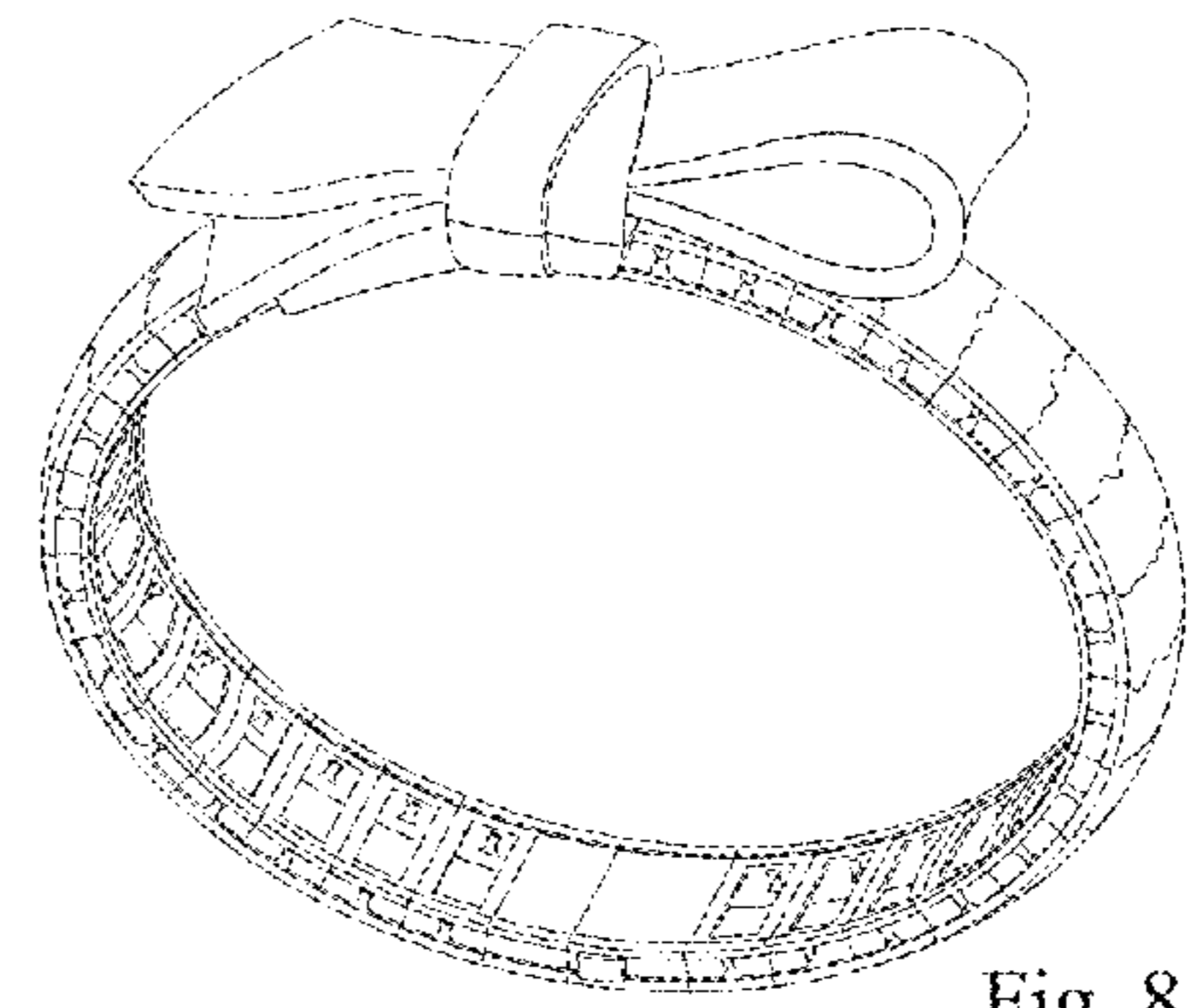


Fig. 8