



US00D853247S

(12) **United States Design Patent**
Zardetto

(10) **Patent No.:** **US D853,247 S**

(45) **Date of Patent:** **** Jul. 9, 2019**

(54) **PACKAGING FOR FOOD PASTA**

(71) Applicant: **VOLTAN S.P.A.**, Martellago (IT)

(72) Inventor: **Stefano Zardetto**, Venice (IT)

(73) Assignee: **VOLTAN S.P.A.**, Martellago (IT)

(**) Term: **15 Years**

(21) Appl. No.: **35/504,989**

(22) Filed: **Jan. 18, 2018**

(80) **Hague Agreement Data**

Int. Filing Date: **Jan. 18, 2018**

Int. Reg. No.: **DM/101108**

Int. Reg. Date: **Jan. 18, 2018**

Int. Reg. Pub. Date: **May 25, 2018**

(51) **LOC (11) Cl.** **09-01**

(52) **U.S. Cl.**
USPC **D9/720**

(58) **Field of Classification Search**
USPC D9/702, 707, 713, 720
CPC B65D 75/12; B65D 75/26; B65D 75/28
See application file for complete search history.

(56) **References Cited**

U.S. PATENT DOCUMENTS

D346,326 S *	4/1994	Price, Sr.	D11/131
D504,810 S *	5/2005	Chrisostomidis	D9/707
D764,303 S *	8/2016	Kwon	D9/643
D798,730 S *	10/2017	Kwon	D9/643

* cited by examiner

Primary Examiner — Michael A. Pratt

(74) *Attorney, Agent, or Firm* — Thomas|Horstemeyer, LLP

(57) **CLAIM**

The ornamental design for a packaging for food pasta, as shown and described.

DESCRIPTION

1. Packaging for food pasta

1.1: Perspective

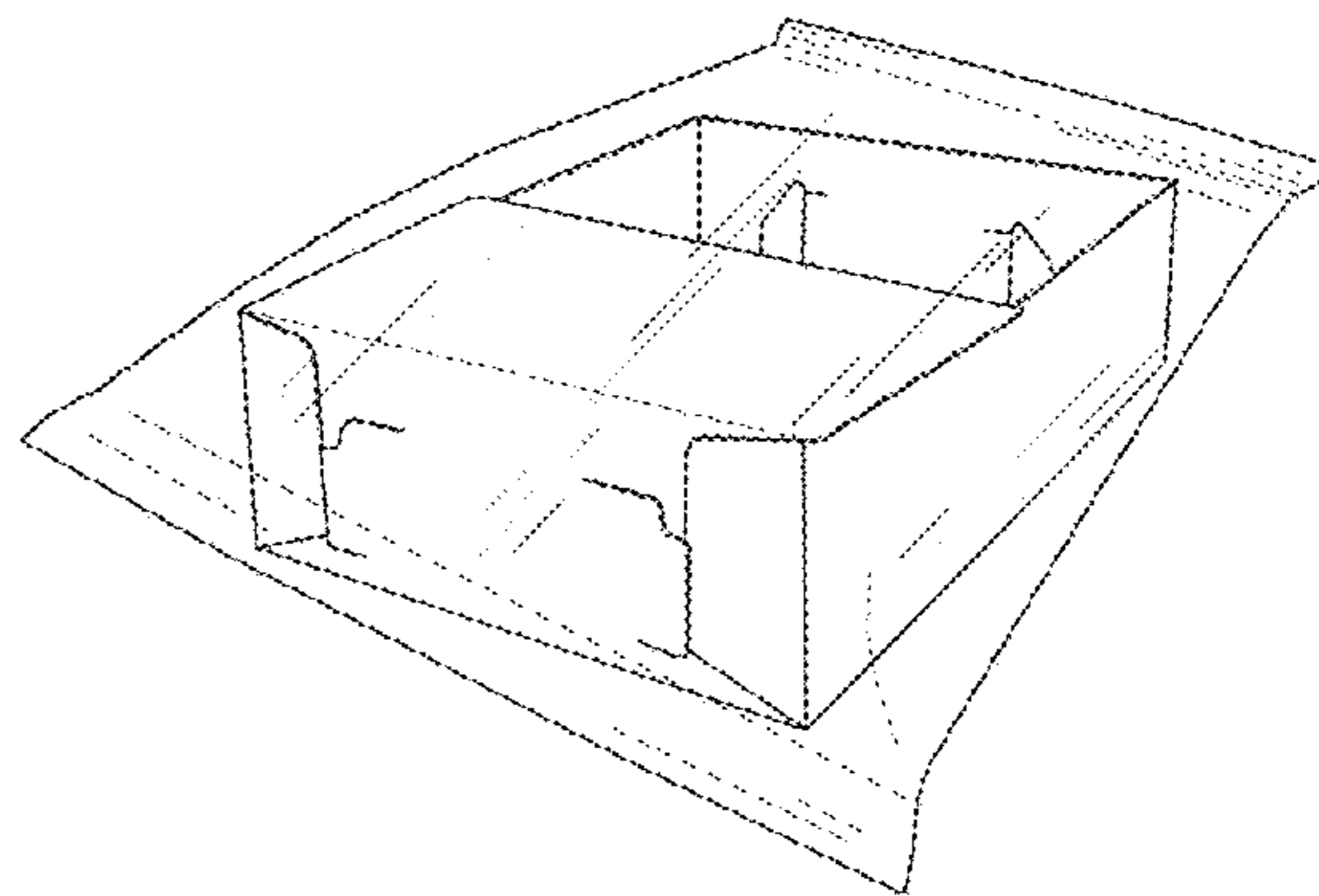
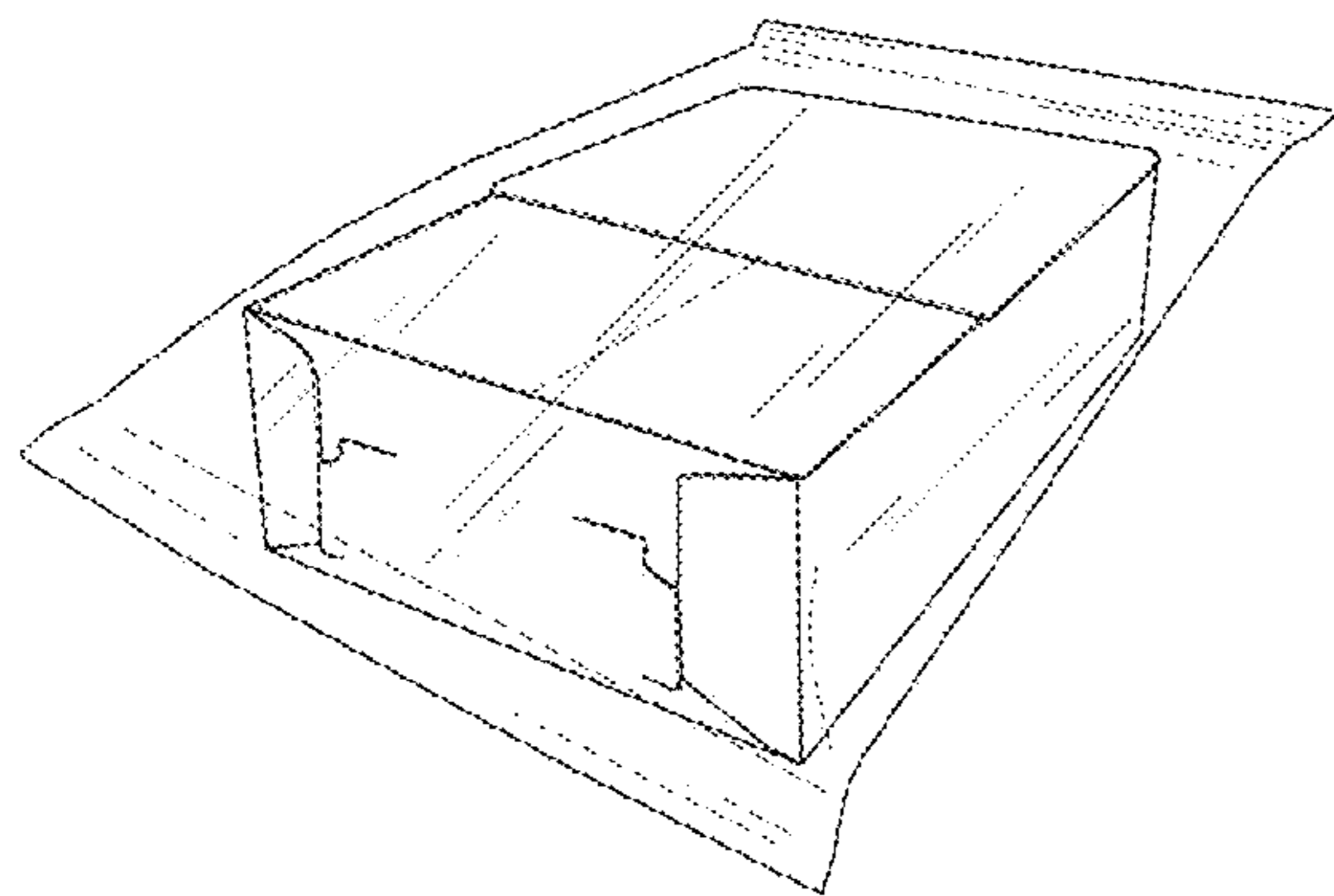
1.2: Perspective

1.3: Side

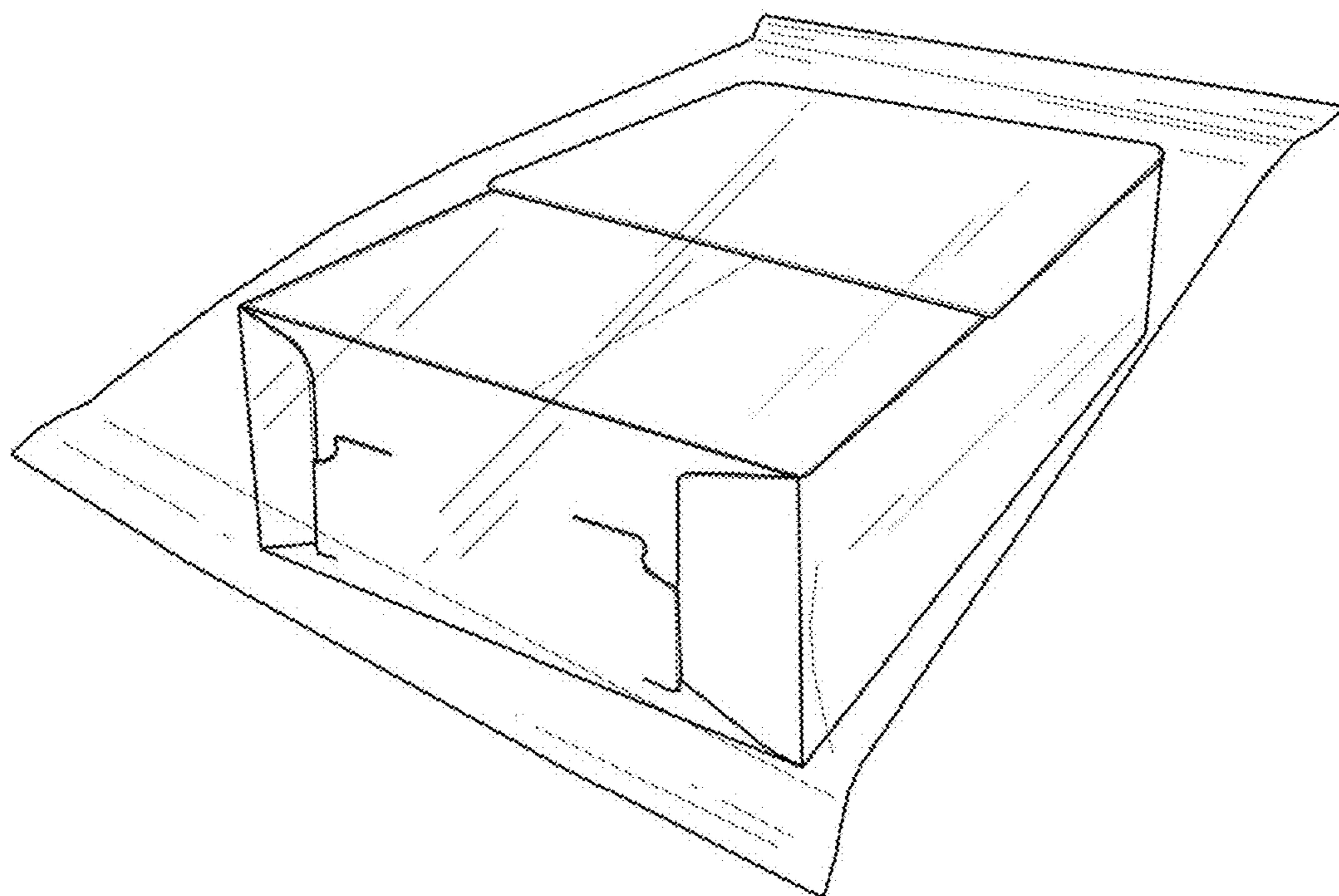
1.4: Top

1.5: Bottom

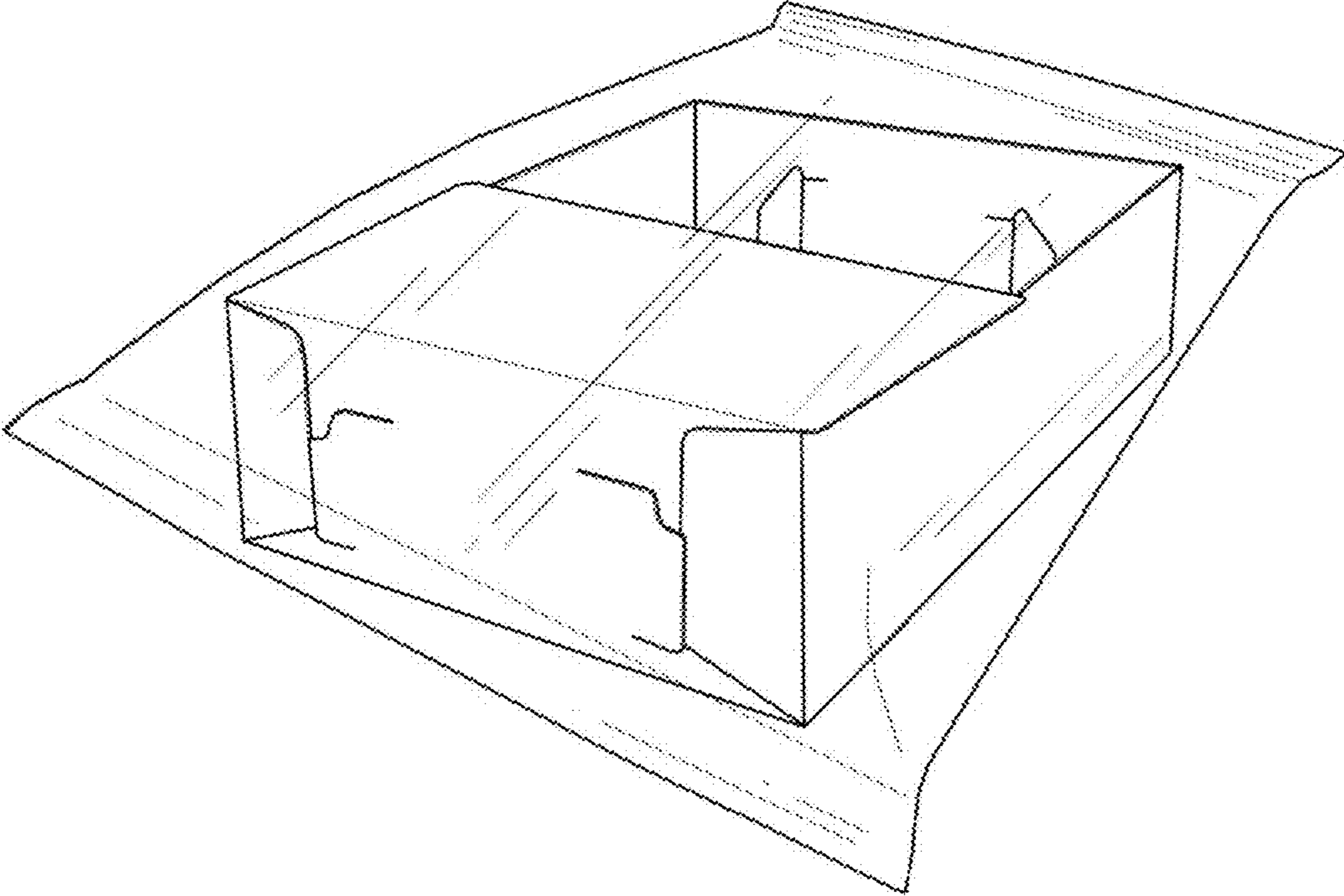
1 Claim, 5 Drawing Sheets



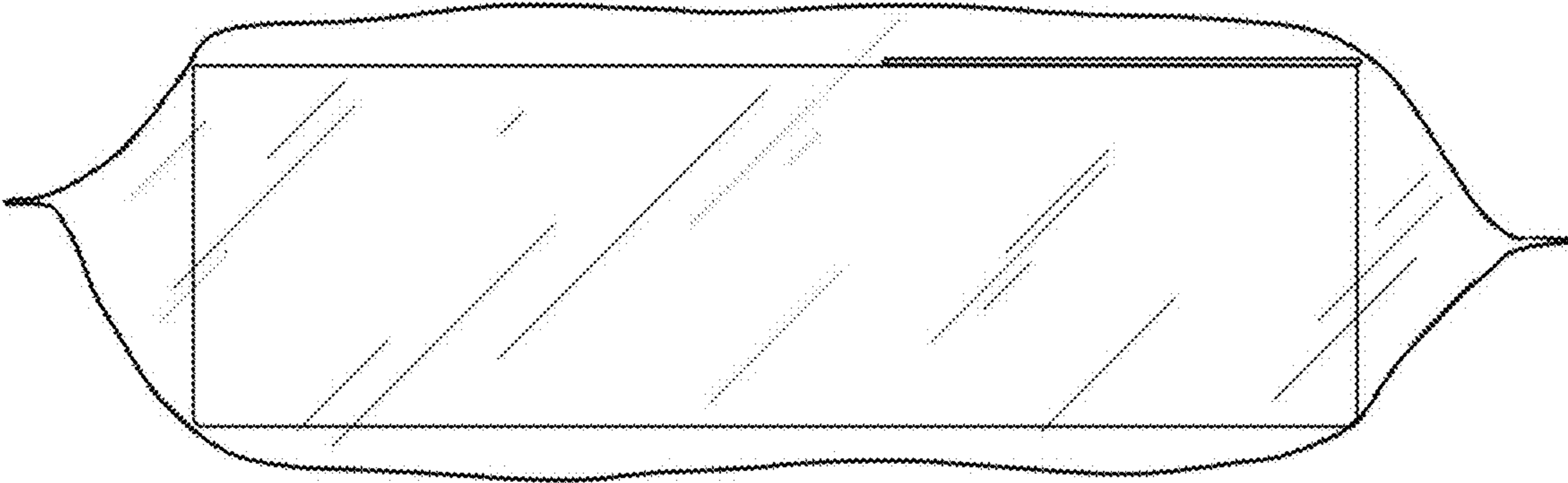
1.1



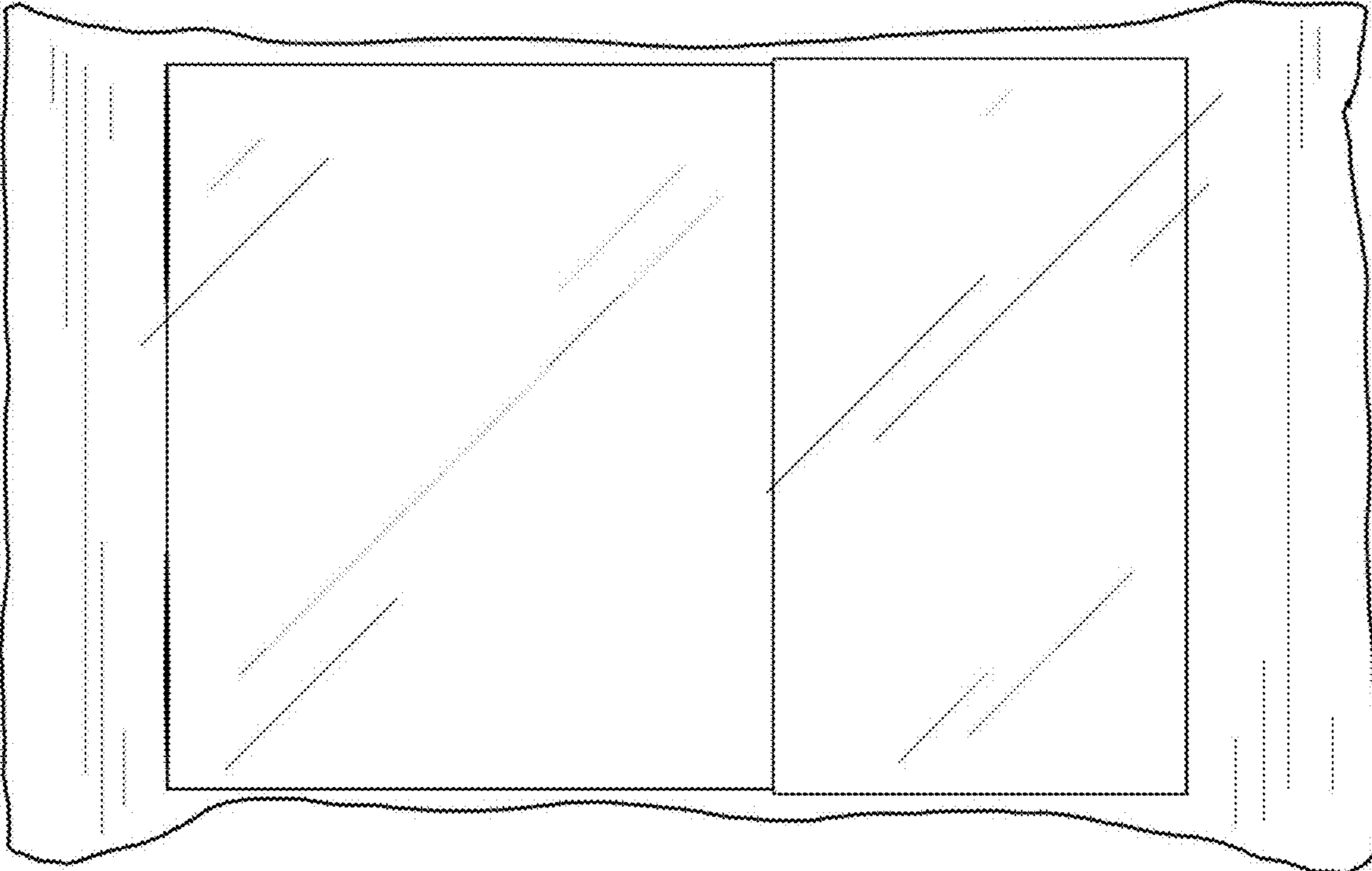
1.2



1.3



1.4



1.5

