



US00D853246S

(12) **United States Design Patent**
Dammers

(10) **Patent No.:** **US D853,246 S**
(45) **Date of Patent:** **** Jul. 9, 2019**

(54) **CONTAINER FOR BEVERAGES OR FOOD**

(71) Applicant: **SIG Technology AG**, Neuhausen am Rheinfall (CH)

(72) Inventor: **Matthias Dammers**, Alsdorf (DE)

(73) Assignee: **SIG Technology AG**, Neuhausen am Rheinfall (CH)

(**) Term: **15 Years**

(21) Appl. No.: **29/638,053**

(22) Filed: **Feb. 23, 2018**

Related U.S. Application Data

(62) Division of application No. 29/542,432, filed on Oct. 14, 2015.

(30) **Foreign Application Priority Data**

Apr. 15, 2015 (DE) 40 2015 100 345

(51) **LOC (11) Cl.** **09-01**

(52) **U.S. Cl.**
USPC **D9/560; D9/573**

(58) **Field of Classification Search**
USPC D9/414, 430-432, 454, 516, 544, 546, D9/559, 560, 572, 573
CPC B65D 1/0223; B65D 2501/0081; B65D 21/0202; B65D 2501/0027; B65D 15/22
See application file for complete search history.

(56) **References Cited**

U.S. PATENT DOCUMENTS

D275,455 S 9/1984 Glaser
D282,910 S 3/1986 Biesecker
D357,179 S * 4/1995 Nedstedt D9/417
D361,938 S 9/1995 Sawa et al.
6,016,953 A * 1/2000 Stacy-Ryan B65D 5/06
229/113

D426,161 S 6/2000 Hestehave et al.
D447,941 S * 9/2001 Quensel D9/559
6,457,602 B2 10/2002 Uchiyama
D480,966 S 10/2003 Iwano
D482,977 S * 12/2003 Boldrini D9/560
D489,990 S * 5/2004 Boldrini D9/520
D491,070 S * 6/2004 Boldrini D9/560
D500,681 S 1/2005 Uchiyama
D501,408 S 2/2005 Boldrini et al.
D521,390 S 5/2006 Andoh
7,114,626 B2 10/2006 Tanaka et al.

(Continued)

FOREIGN PATENT DOCUMENTS

BR DI71007989 F 5/2014
JP 1155970 S 10/2002

Primary Examiner — Ian Simmons

Assistant Examiner — Keith Frank

(74) *Attorney, Agent, or Firm* — The Webb Law Firm

(57) **CLAIM**

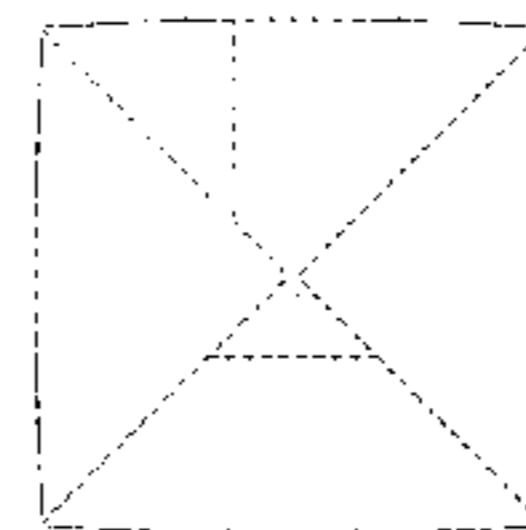
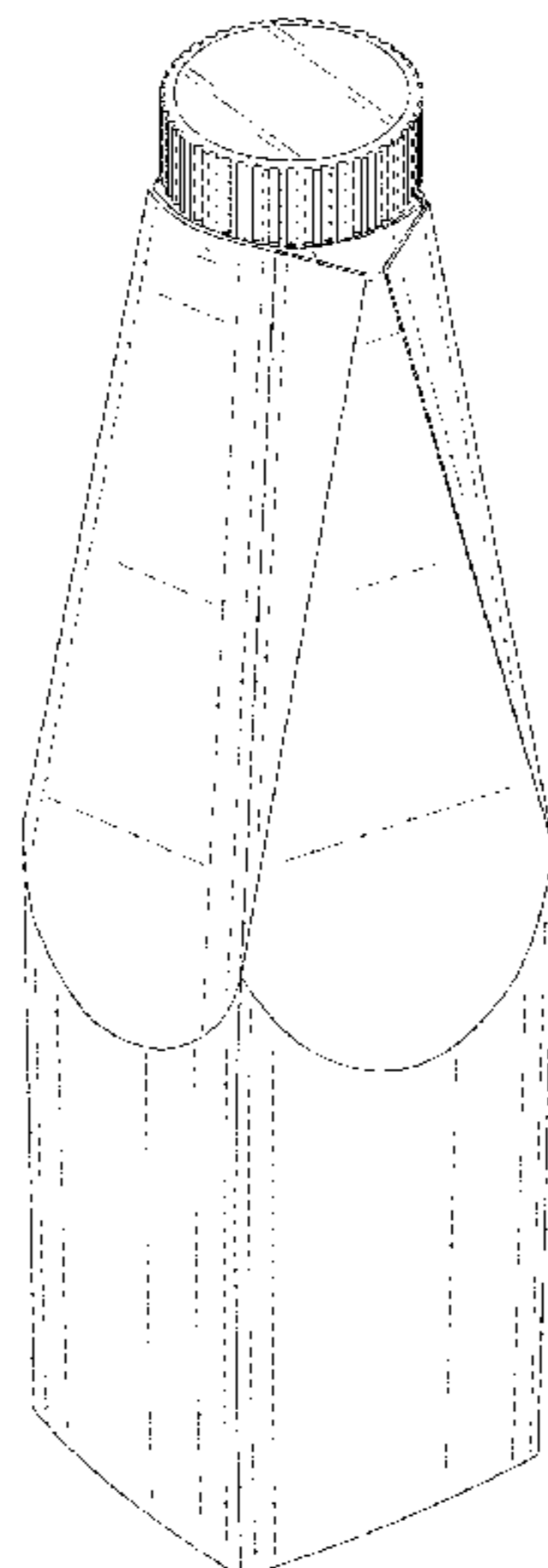
The ornamental design for a container for beverages or food, as shown and described.

DESCRIPTION

FIG. 1 is an upper left front perspective view of a container for beverages or food showing my new design;
FIG. 2 is a front view thereof;
FIG. 3 is a right side view thereof;
FIG. 4 is a rear view thereof;
FIG. 5 is a top view thereof; and,
FIG. 6 is a bottom view thereof.

The broken lines in the drawings showing the container for beverages or food illustrate the portions of the container for beverages or food that form no part of the claimed design. The solid lines shown in FIG. 6 represent the boundaries between the claimed and unclaimed portions of the container for beverages or food.

1 Claim, 6 Drawing Sheets



(56)

References Cited

U.S. PATENT DOCUMENTS

| | | | | | | |
|--------------|----|---|---------|---------------------|-------|--------|
| D548,090 | S | * | 8/2007 | Waldner | | D9/503 |
| D548,102 | S | * | 8/2007 | Waldner | | D9/560 |
| D548,103 | S | * | 8/2007 | Waldner | | D9/560 |
| D548,104 | S | * | 8/2007 | Waldner | | D9/571 |
| D560,497 | S | * | 1/2008 | Waldner | | D9/517 |
| D560,498 | S | * | 1/2008 | Waldner | | D9/517 |
| D560,499 | S | * | 1/2008 | Waldner | | D9/517 |
| D561,029 | S | * | 2/2008 | Waldner | | D9/517 |
| D578,898 | S | | 10/2008 | Ungrady | | |
| D596,949 | S | | 7/2009 | Flude | | |
| D602,785 | S | | 10/2009 | Rothberg et al. | | |
| D605,054 | S | | 12/2009 | Ungrady | | |
| D652,293 | S | * | 1/2012 | Sander | | D9/430 |
| D653,119 | S | | 1/2012 | Hunter et al. | | |
| D656,405 | S | | 3/2012 | Byron | | |
| D660,169 | S | | 5/2012 | Potts | | |
| D665,255 | S | | 8/2012 | Leenen | | |
| D691,484 | S | | 10/2013 | Fitzgerald | | |
| D719,455 | S | | 12/2014 | Perez-Cabrera | | |
| D722,869 | S | | 2/2015 | Himmelsbach et al. | | |
| D722,872 | S | | 2/2015 | Bowman et al. | | |
| D747,971 | S | | 1/2016 | Peacock | | |
| D751,411 | S | | 3/2016 | Austin et al. | | |
| D751,894 | S | | 3/2016 | Nordenskjold et al. | | |
| D778,160 | S | * | 2/2017 | Orset | | D9/434 |
| D815,951 | S | * | 4/2018 | Solovy | | D9/558 |
| 2015/0321782 | A1 | | 11/2015 | Houser | | |

* cited by examiner

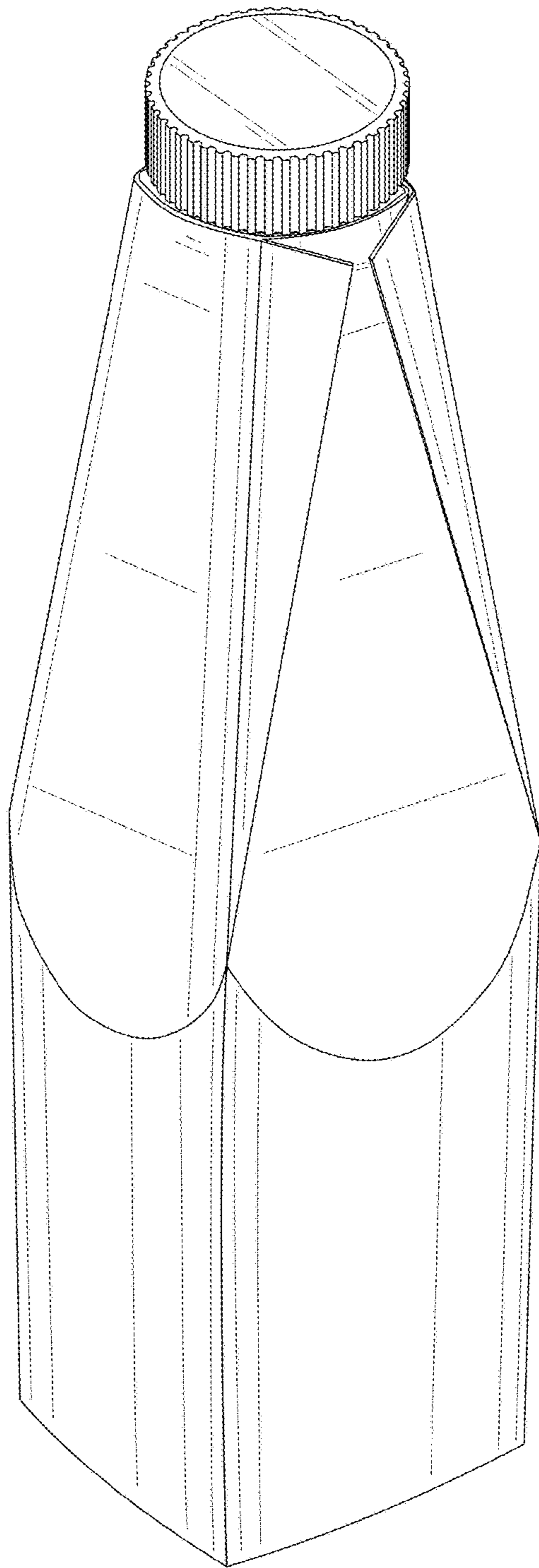


FIG. 1

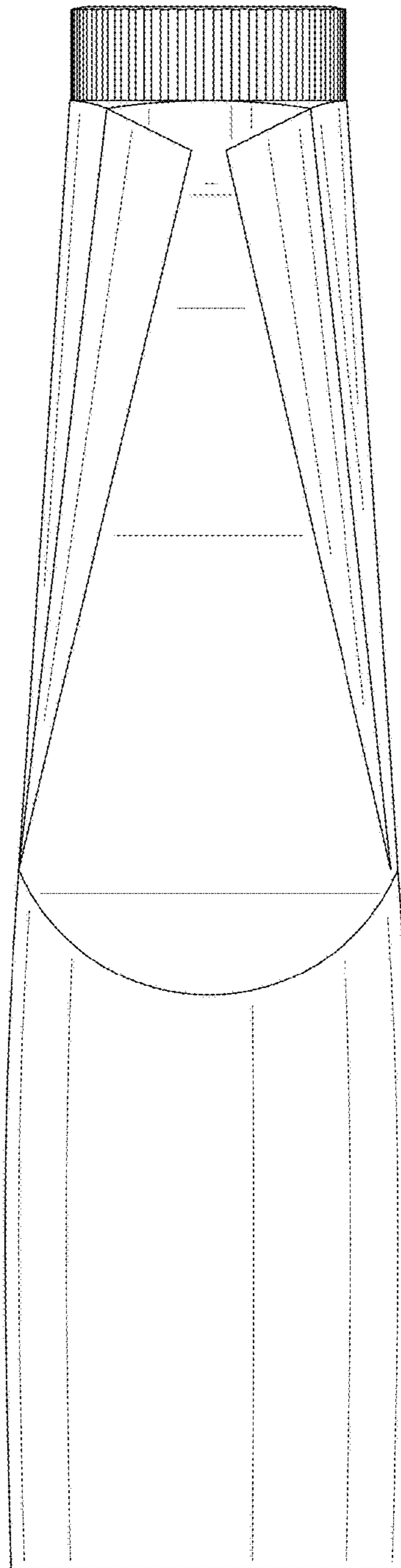


FIG. 2

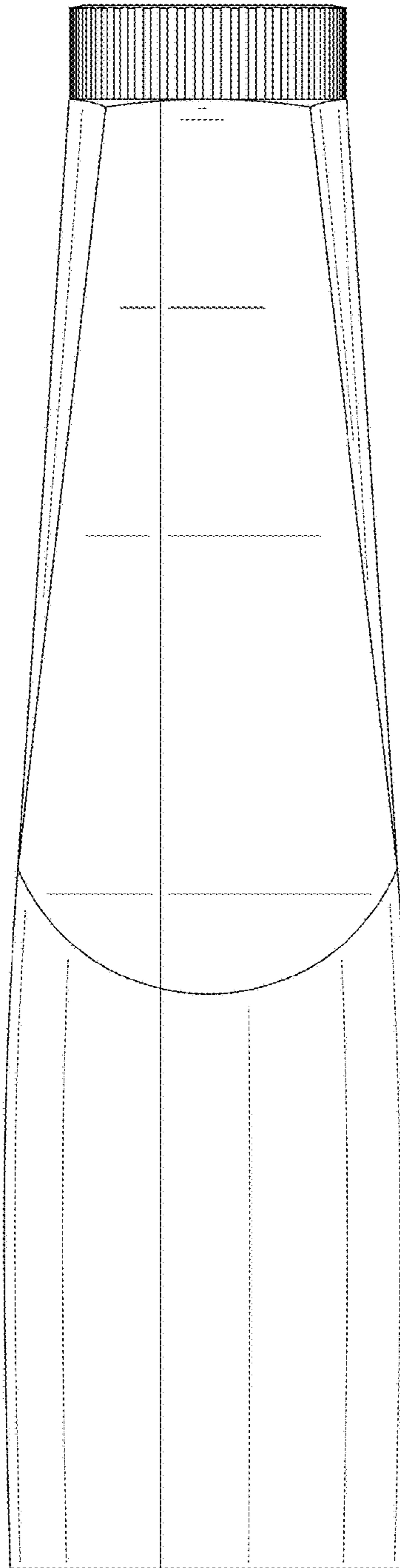


FIG. 3

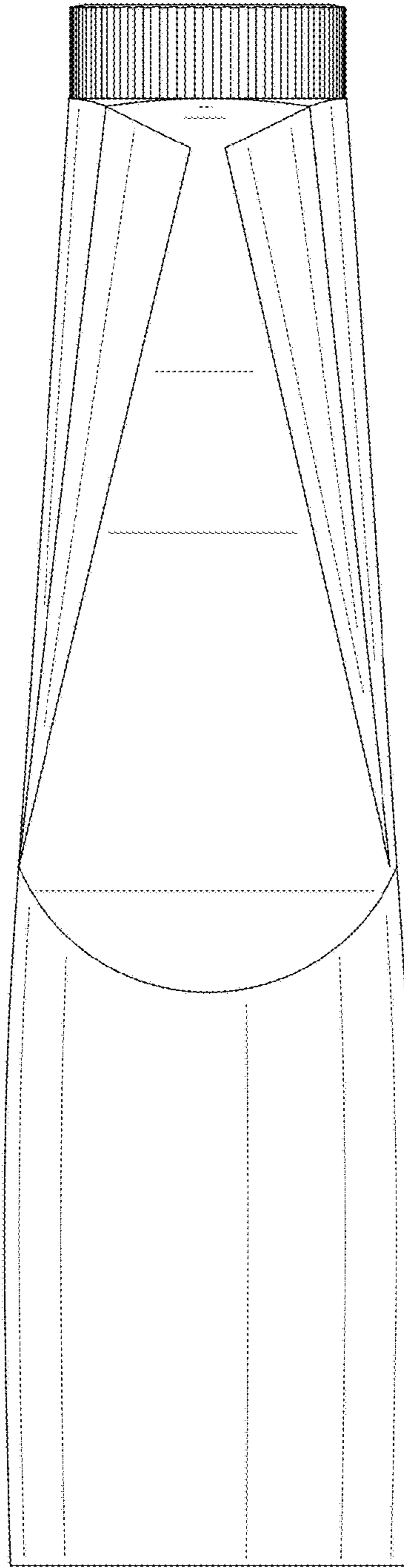


FIG. 4

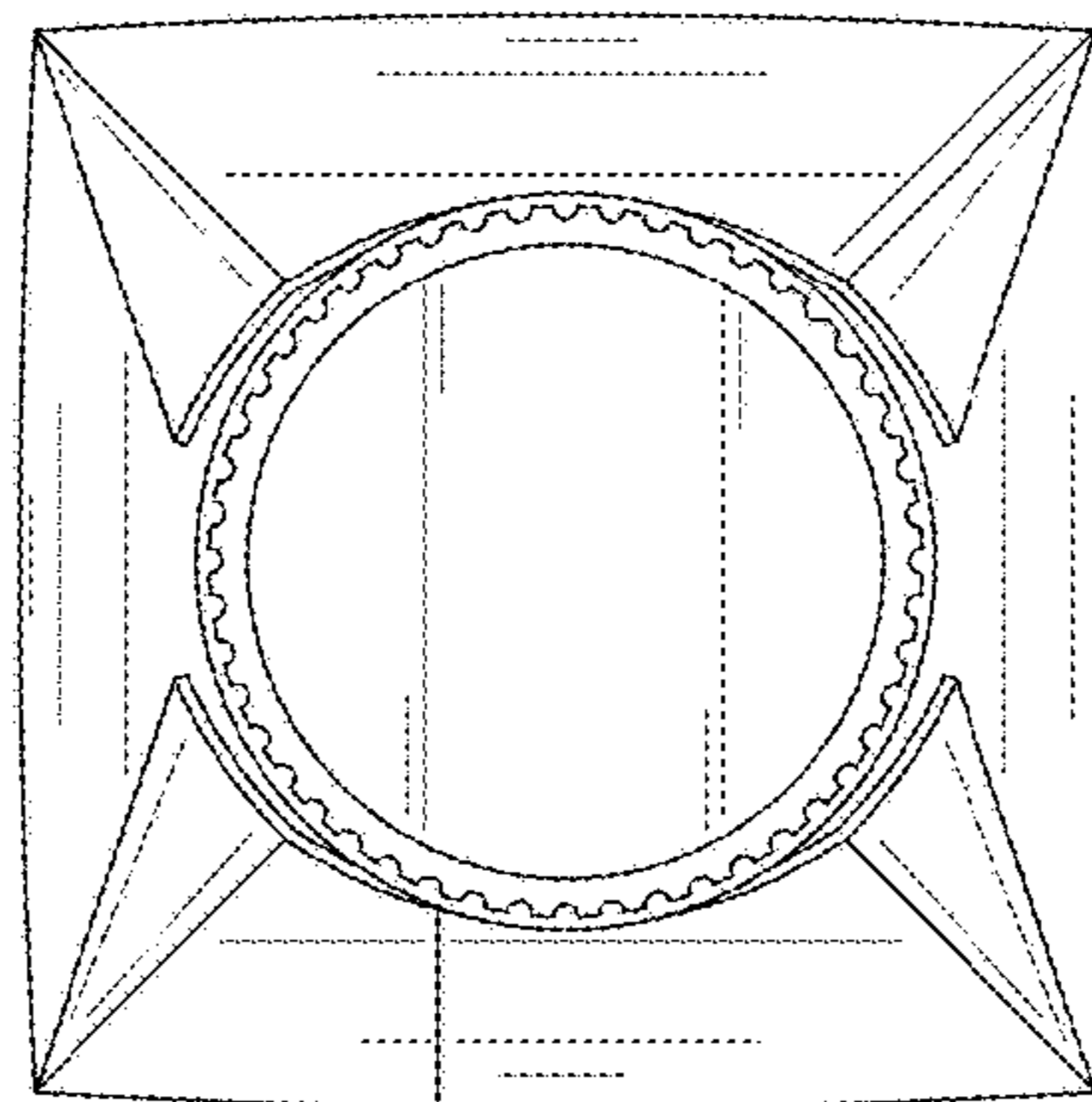


FIG. 5

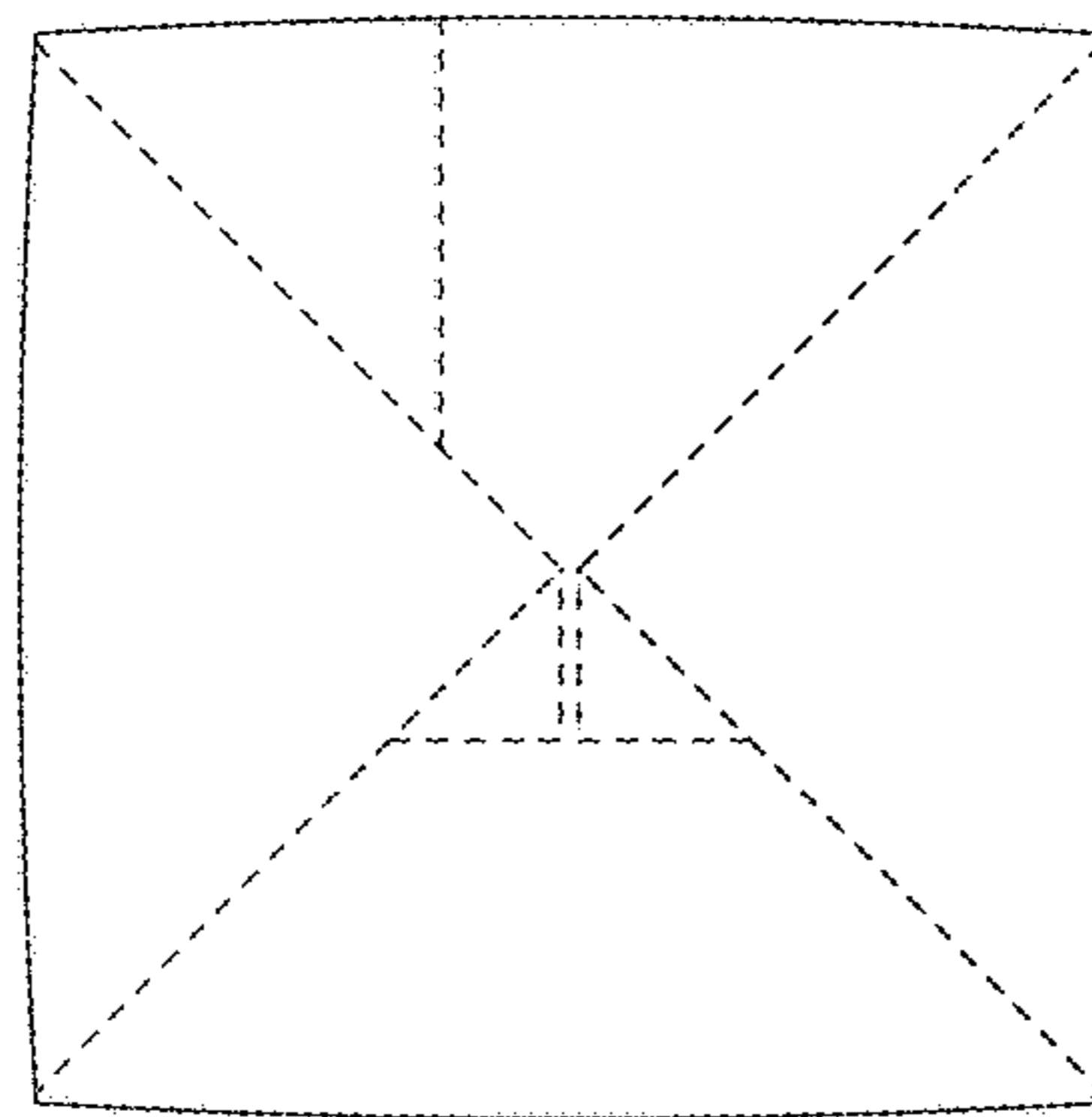


FIG. 6