



US00D853238S

(12) **United States Design Patent** (10) **Patent No.:** **US D853,238 S**
Yao (45) **Date of Patent:** **** Jul. 9, 2019**

(54) **BOTTLE LID**

(56) **References Cited**

(71) Applicant: **EVERICH AND TOMIC HOUSEWARES CO., LTD.**, Hangzhou, Zhejiang (CN)

(72) Inventor: **Huajun Yao**, Zhejiang (CN)

(73) Assignee: **EVERICH AND TOMIC HOUSEWARES CO., LTD.**, Jianggan District, Hangzhou, Zhejiang (CN)

(**) Term: **15 Years**

(21) Appl. No.: **29/644,441**

(22) Filed: **Apr. 17, 2018**

(30) **Foreign Application Priority Data**

Oct. 19, 2017 (CN) 2017 3 0499913

(51) **LOC (11) Cl.** **09-07**

(52) **U.S. Cl.**
USPC **D9/436; D9/443; D9/446; D9/451; D7/392.1; D21/455**

(58) **Field of Classification Search**
USPC D9/414, 416, 425, 434, 435, 436, 438, D9/439, 440, 442, 443, 446-450, D9/452-457, 499, 503-505, 682, 685, D9/686, 441, 451, 600; D7/387, 391, D7/392, 392.1, 393, 394, 396.1-396.4, D7/401.1, 503-505, 509-511, 538, 900; D3/201, 202, 203.2, 318; D28/91, 91.1; D21/455

CPC .. A61J 1/00; A61J 1/1412; B65D 1/00; B65D 1/02; B65D 1/10; B65D 1/46; B65D 2585/56; B65D 2585/545; B65D 41/00; B65D 41/38; B65D 41/56; B65D 41/62; B65D 47/00; B65D 47/06; B65D 47/08; B65D 2543/00046; B65D 2543/00092; B65D 2543/00296; B65D 5/46; B65D 2251/00

See application file for complete search history.

U.S. PATENT DOCUMENTS

D260,373	S	*	8/1981	Wood	D9/446
5,277,325	A	*	1/1994	Yan	B65D 55/145
						D9/436
D436,864	S	*	1/2001	Slater	D9/451
6,253,942	B1	*	7/2001	Elias	B65D 41/0485
						215/305
D491,063	S	*	6/2004	Hicks	D9/443
D510,270	S	*	10/2005	Khalifa	D9/503
D528,910	S	*	9/2006	Kingsley	D7/392.1
D530,200	S	*	10/2006	Kingsley	D7/392.1
D536,929	S	*	2/2007	Kingsley	D7/510
D616,748	S	*	6/2010	Nakamura	D9/443
D801,440	S	*	10/2017	Pavelsky	D21/455
D806,465	S	*	1/2018	Boroski	D7/391
D813,668	S	*	3/2018	Miller	D9/446

(Continued)

Primary Examiner — Michael A. Pratt

Assistant Examiner — Wendy L Arminio

(74) *Attorney, Agent, or Firm* — Global IP Services; Tianhua Gu

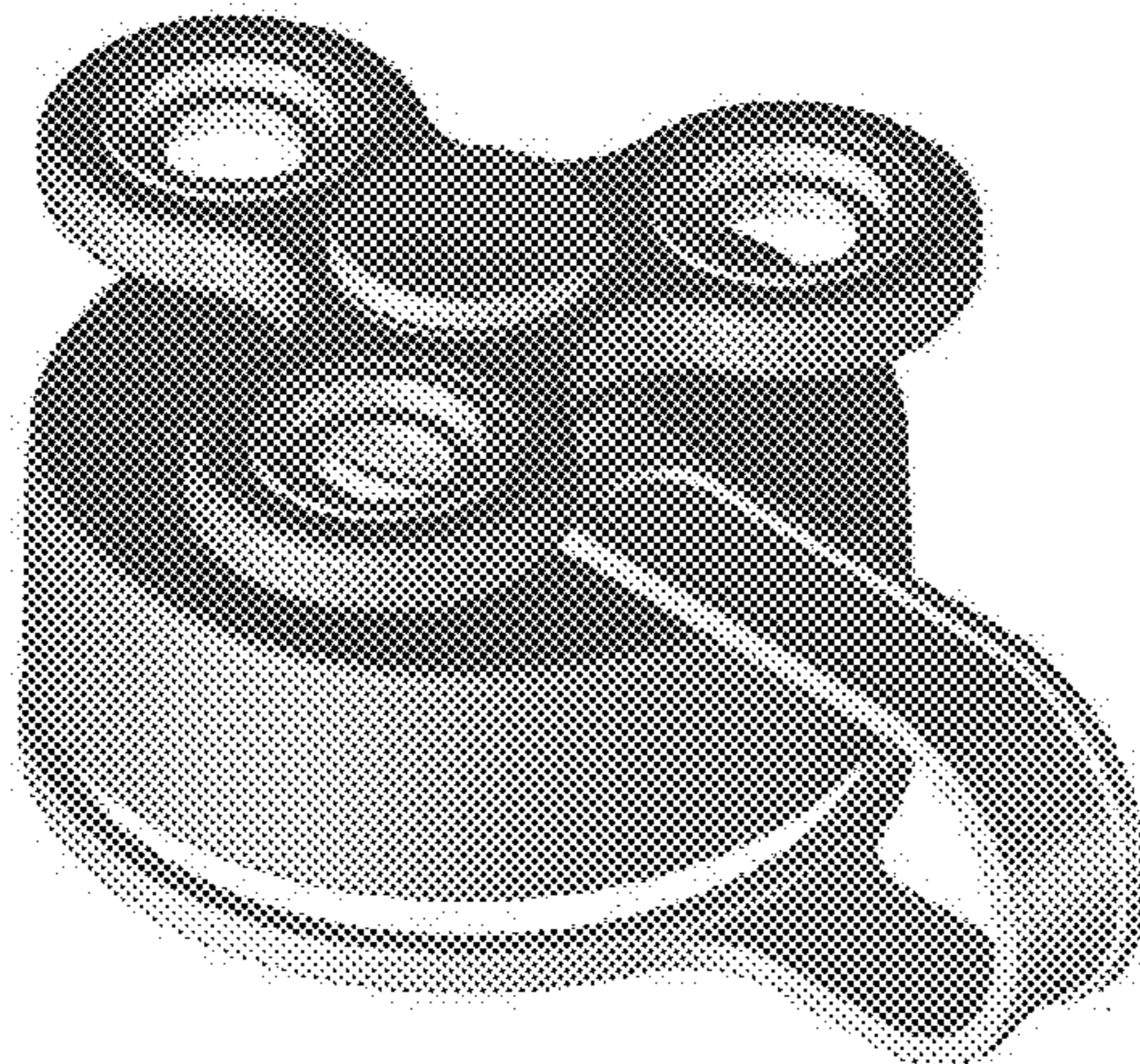
(57) **CLAIM**

The ornamental design for a bottle lid, as shown and described.

DESCRIPTION

FIG. 1 is a front elevational view of a bottle lid, showing my new design;
FIG. 2 is a rear elevational view thereof;
FIG. 3 is a left side elevational view thereof;
FIG. 4 is a right side elevational view thereof;
FIG. 5 is a top plan view thereof;
FIG. 6 is a bottom plan view thereof;
FIG. 7 is a top perspective view thereof; and,
FIG. 8 is a bottom perspective view thereof.

1 Claim, 4 Drawing Sheets



(56)

References Cited

U.S. PATENT DOCUMENTS

9,950,556 B1 * 4/2018 Laemle B43K 29/00
D820,918 S * 6/2018 Zhong D21/455
D828,723 S * 9/2018 Gauss D7/510
2017/0326468 A1 * 11/2017 Kinmont, Jr. A63H 33/26

* cited by examiner

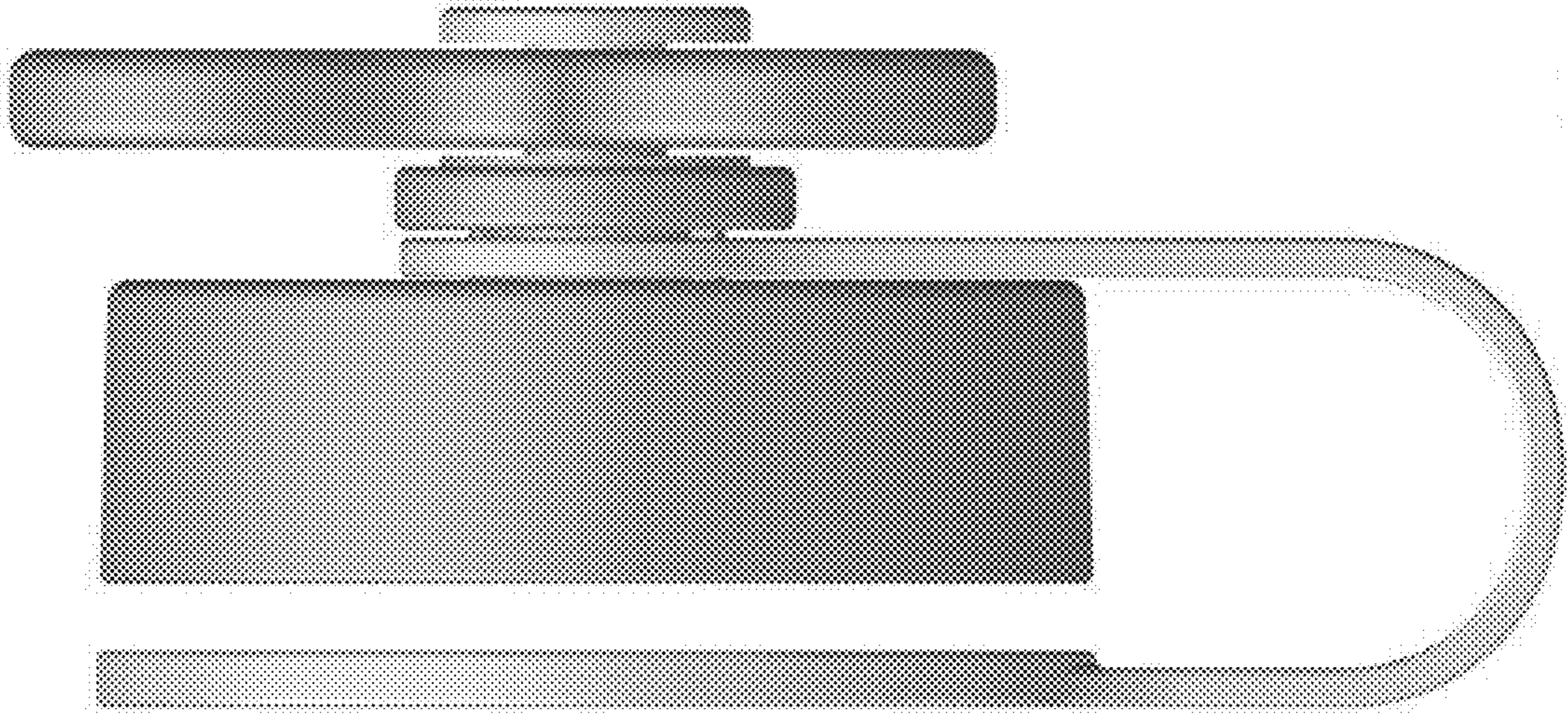


FIG. 1

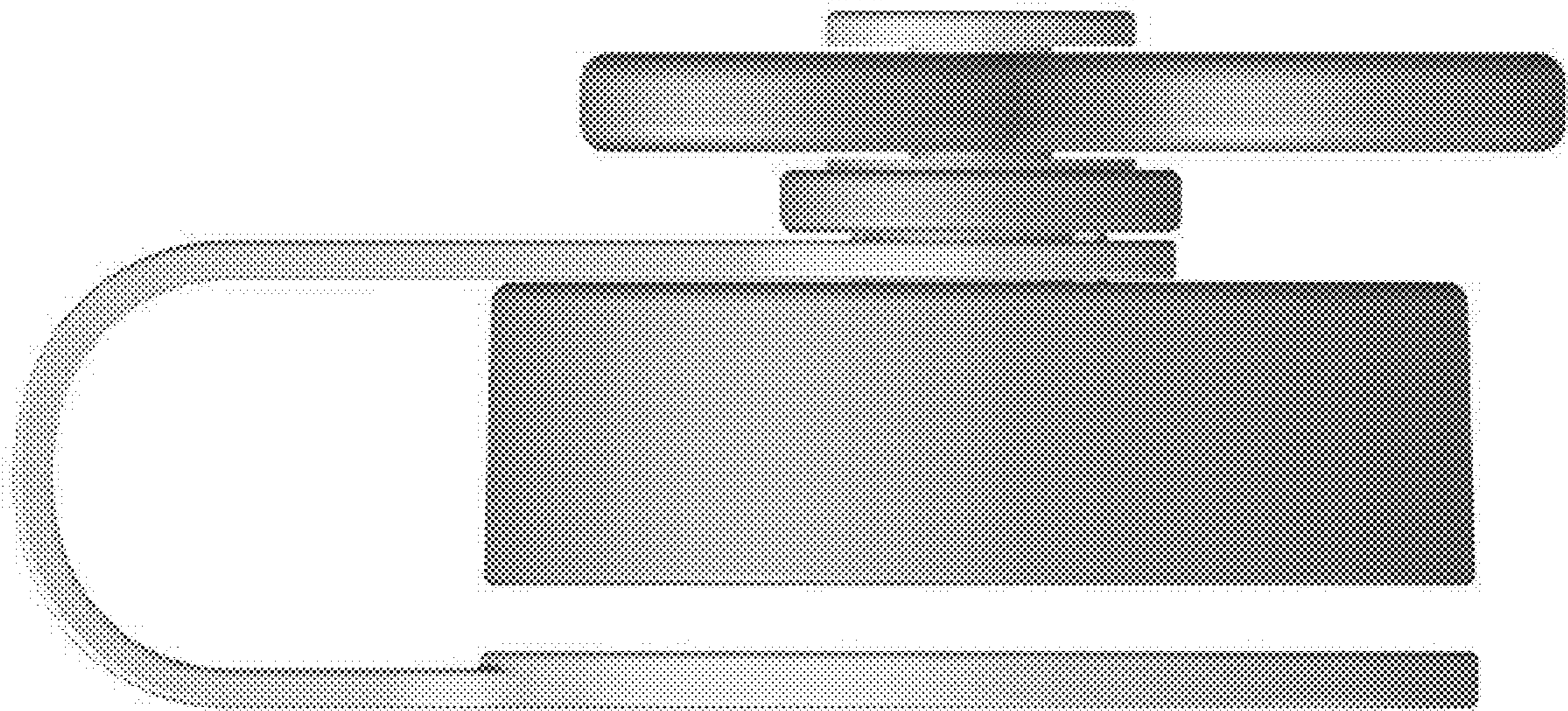


FIG. 2

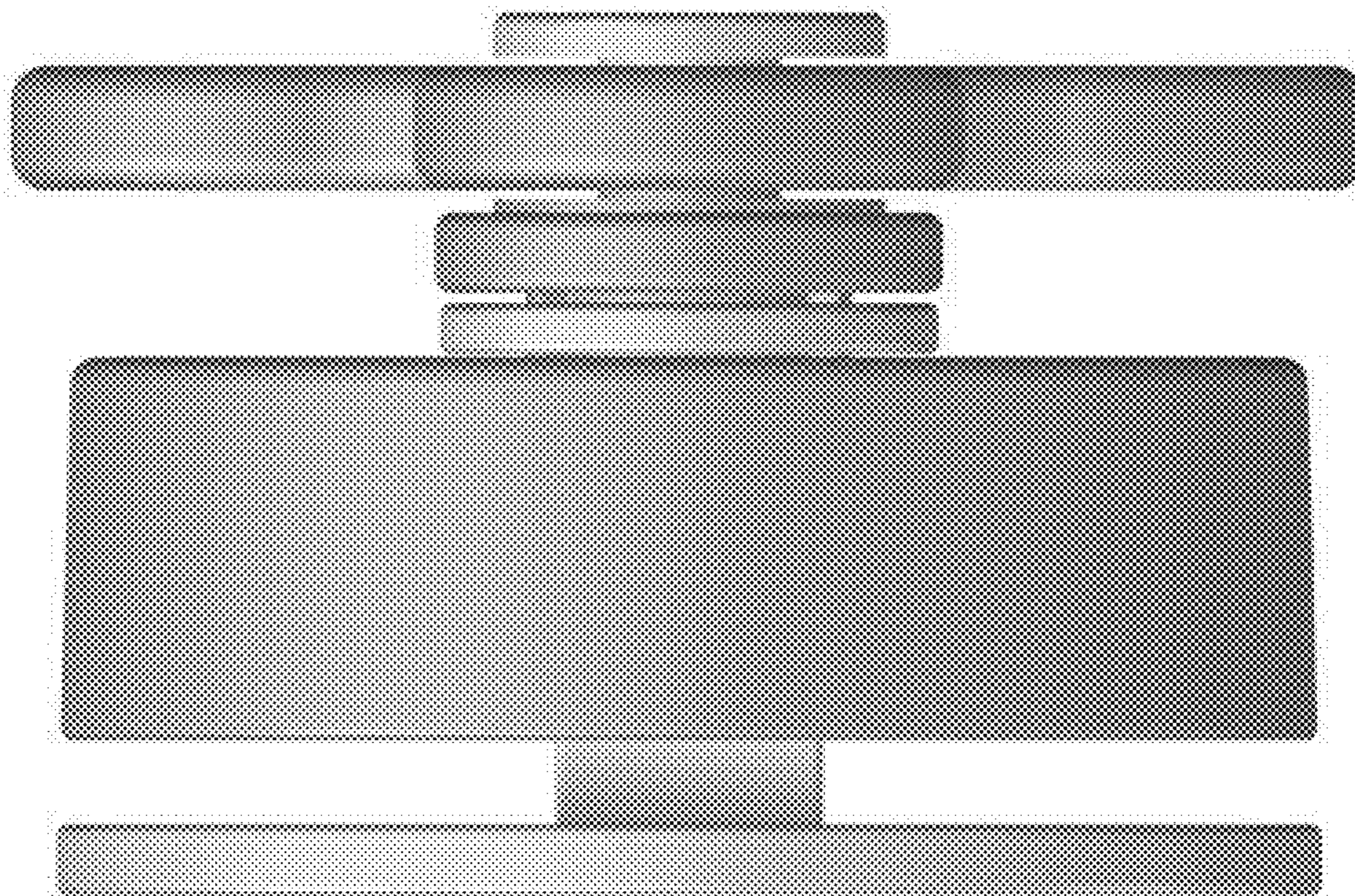


FIG. 3

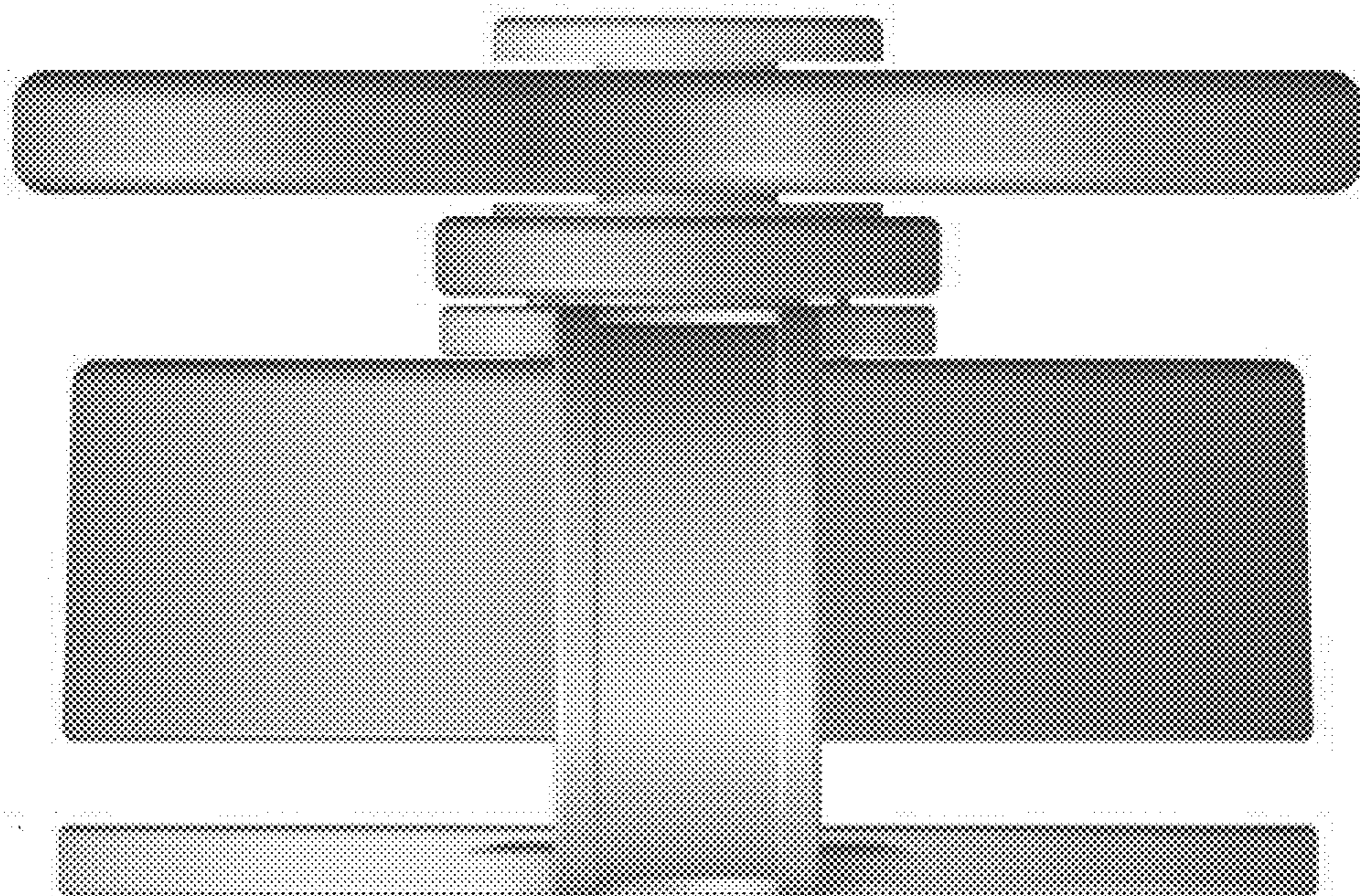


FIG. 4

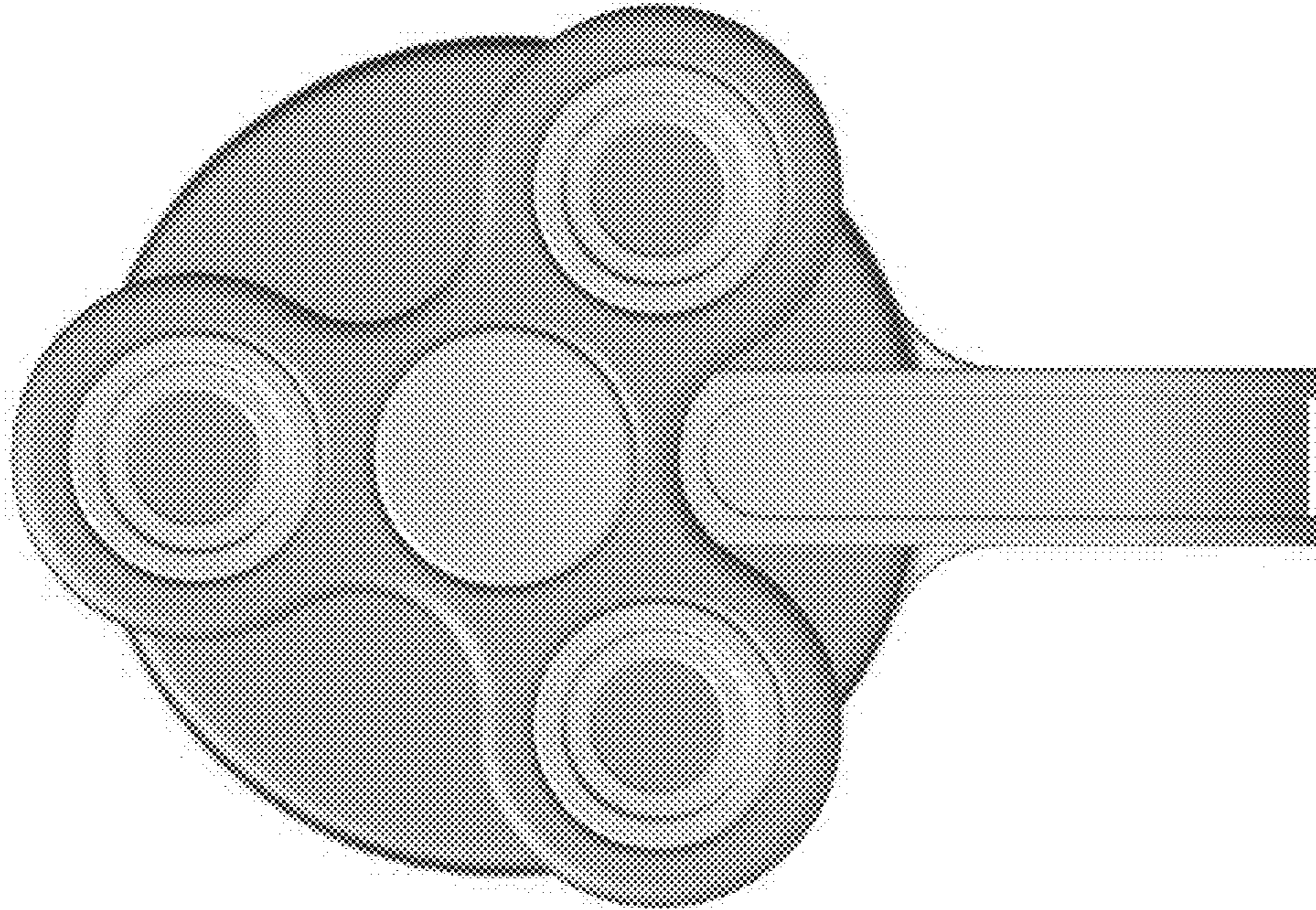


FIG. 5

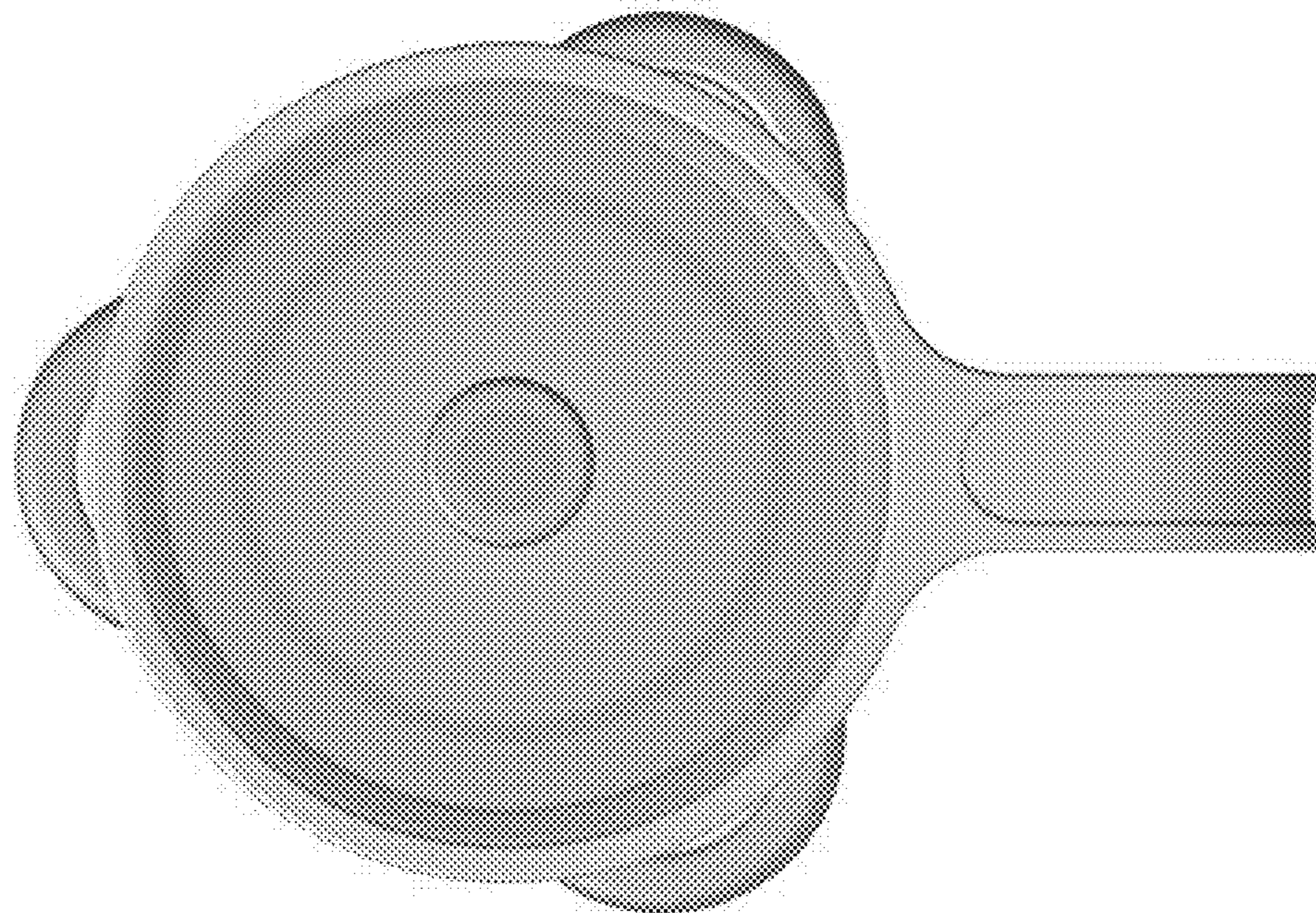


FIG. 6

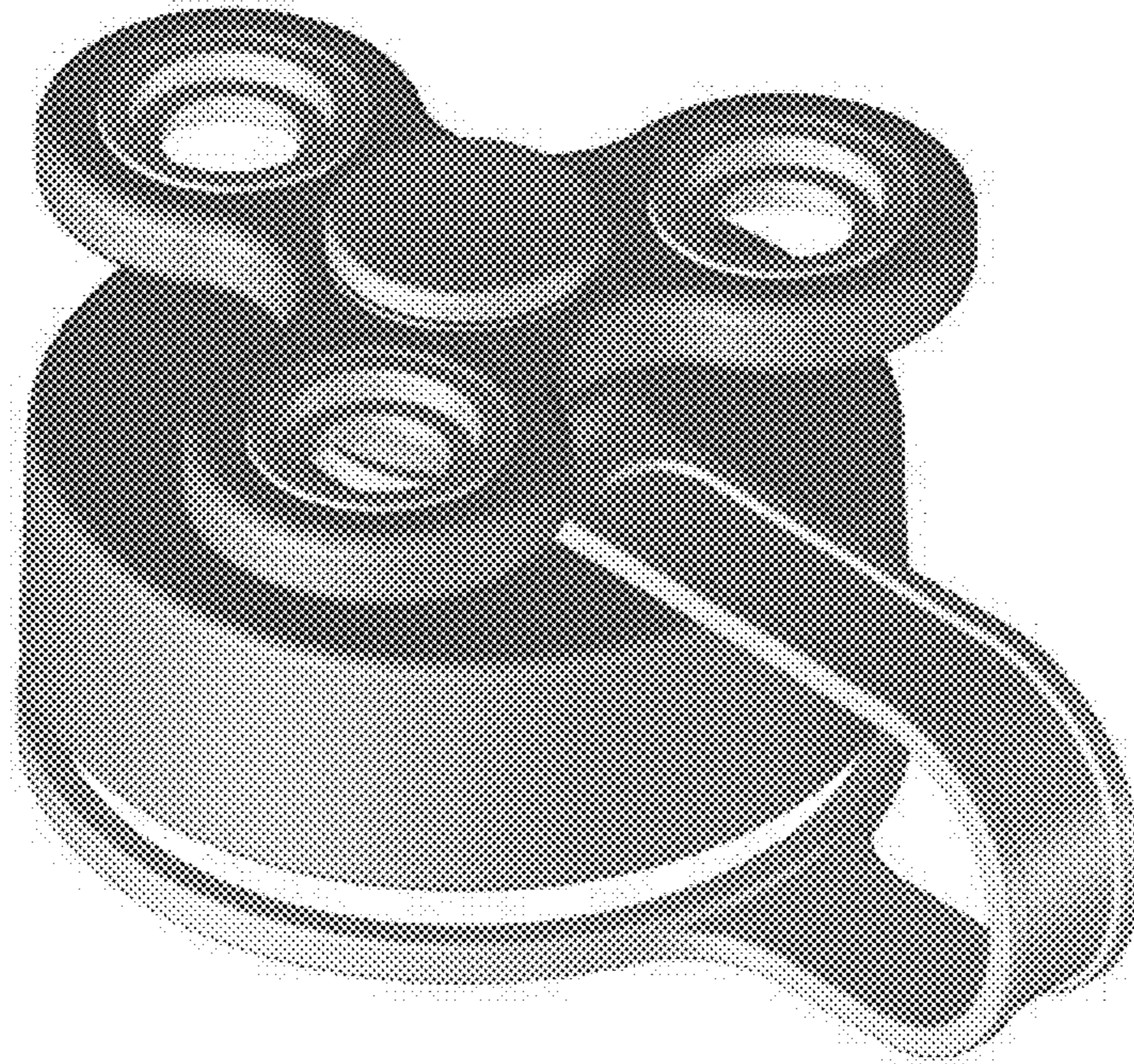


FIG. 7

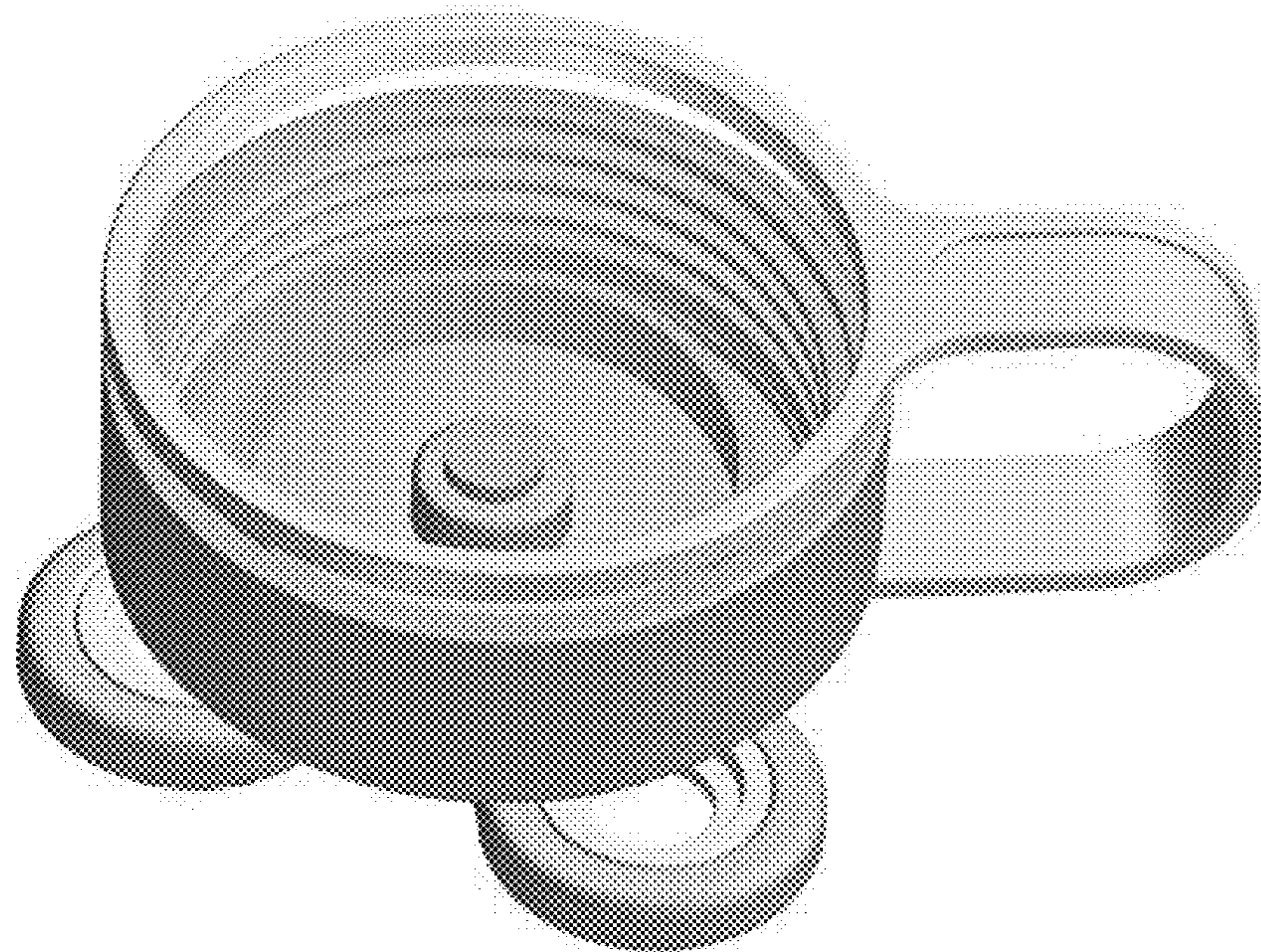


FIG. 8