



US00D853235S

(12) **United States Design Patent** (10) **Patent No.:** **US D853,235 S**
Yao (45) **Date of Patent:** **** Jul. 9, 2019**

(54) **BOTTLE LID**

(56) **References Cited**

(71) Applicant: **EVERICH AND TOMIC HOUSEWARES CO., LTD.**, Hangzhou, Zhejiang (CN)
(72) Inventor: **Huajun Yao**, Zhejiang (CN)
(73) Assignee: **EVERICH AND TOMIC HOUSEWARES CO., LTD.**, Jianggan District, Hangzhou, Zhejiang (CH)

U.S. PATENT DOCUMENTS

D178,407 S *	7/1956	Kincaid	D21/455
D182,425 S *	4/1958	McAuley	D23/260
D240,062 S *	5/1976	Satten	D21/483
D275,410 S *	9/1984	Panicci	D21/455
D375,018 S *	10/1996	Goto	D7/392.1
D375,019 S *	10/1996	Goto	D7/392.1
5,803,110 A *	9/1998	Segal	E03B 9/02 137/305
D436,864 S *	1/2001	Slater	D23/250

(**) Term: **15 Years**

(Continued)

(21) Appl. No.: **29/644,438**

Primary Examiner — Michael A. Pratt

(22) Filed: **Apr. 17, 2018**

Assistant Examiner — Wendy L Arminio

(30) **Foreign Application Priority Data**

(74) *Attorney, Agent, or Firm* — Global IP Services; Tianhua Gu

Oct. 19, 2017 (CN) 2017 3 0499508

(51) **LOC (11) Cl.** **09-07**

(57) **CLAIM**

(52) **U.S. Cl.**

The ornamental design for a bottle lid, as shown and described.

USPC **D9/436**; D9/439; D9/441; D9/443; D7/392.1; D21/455

DESCRIPTION

(58) **Field of Classification Search**

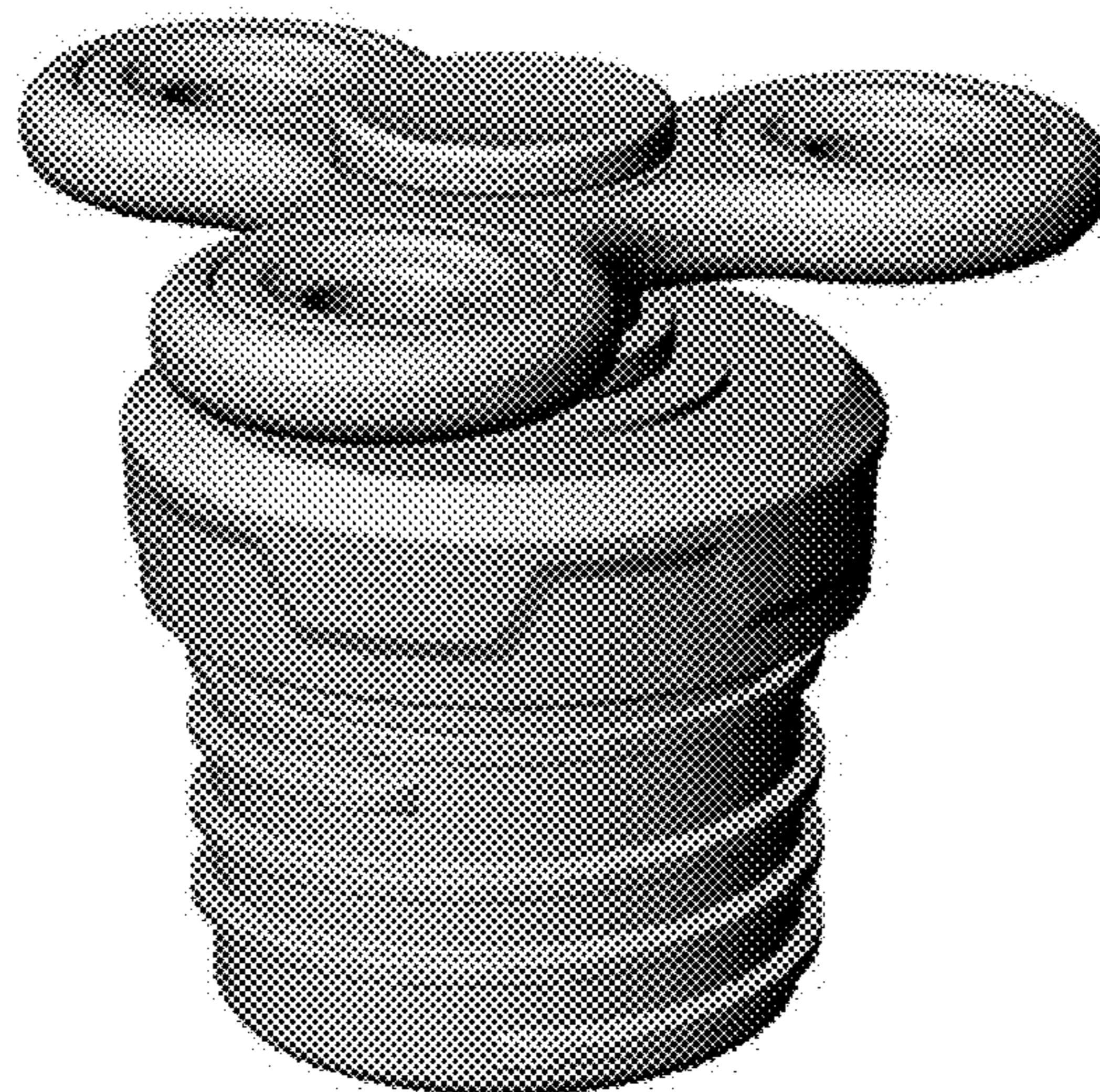
USPC D9/414, 416, 425, 434, 435, 436, 438, D9/439, 440, 442, 443, 446–450, D9/452–457, 499, 503–505, 682, 685, D9/686, 441, 451, 600; D7/387, 391, D7/392, 392.1, 393, 394, 396.1–396.4, D7/401.1, 503–505, 509–511, 538, 900; D3/201, 202, 203.2, 318; D28/91, 91.1; D21/455

FIG. 1 is a front elevational view of a bottle lid, showing my new design;
FIG. 2 is a rear elevational view thereof;
FIG. 3 is a left side elevational view thereof;
FIG. 4 is a right side elevational view thereof;
FIG. 5 is a top plan view thereof;
FIG. 6 is a bottom plan view thereof;
FIG. 7 is a top perspective view thereof;
FIG. 8 is a bottom perspective view thereof;
FIG. 9 is a perspective view of the handle portion of the bottle lid of FIG. 1, shown separated from the body portion; and,
FIG. 10 is a perspective view of the body portion of the bottle lid of FIG. 1, shown separated from the handle portion.

CPC .. A61J 1/00; A61J 1/1412; B65D 1/00; B65D 1/02; B65D 1/10; B65D 1/46; B65D 2585/56; B65D 2585/545; B65D 41/00; B65D 41/38; B65D 41/56; B65D 41/62; B65D 47/00; B65D 47/06; B65D 47/08; B65D 2543/00046; B65D 2543/00092; B65D 2543/00296; B65D 5/46; B65D 2251/00

See application file for complete search history.

1 Claim, 5 Drawing Sheets



(56)

References Cited

U.S. PATENT DOCUMENTS

6,253,942 B1 * 7/2001 Elias B65D 41/0485
215/305
D536,967 S * 2/2007 Larimer D9/439
D616,748 S * 6/2010 Nakamura D9/443
D801,440 S * 10/2017 Pavelsky D21/455
9,950,556 B1 * 4/2018 Laemle B43K 29/00
D820,918 S * 6/2018 Zhong D21/455
2017/0326468 A1 * 11/2017 Kinmont, Jr. A63H 33/26

* cited by examiner

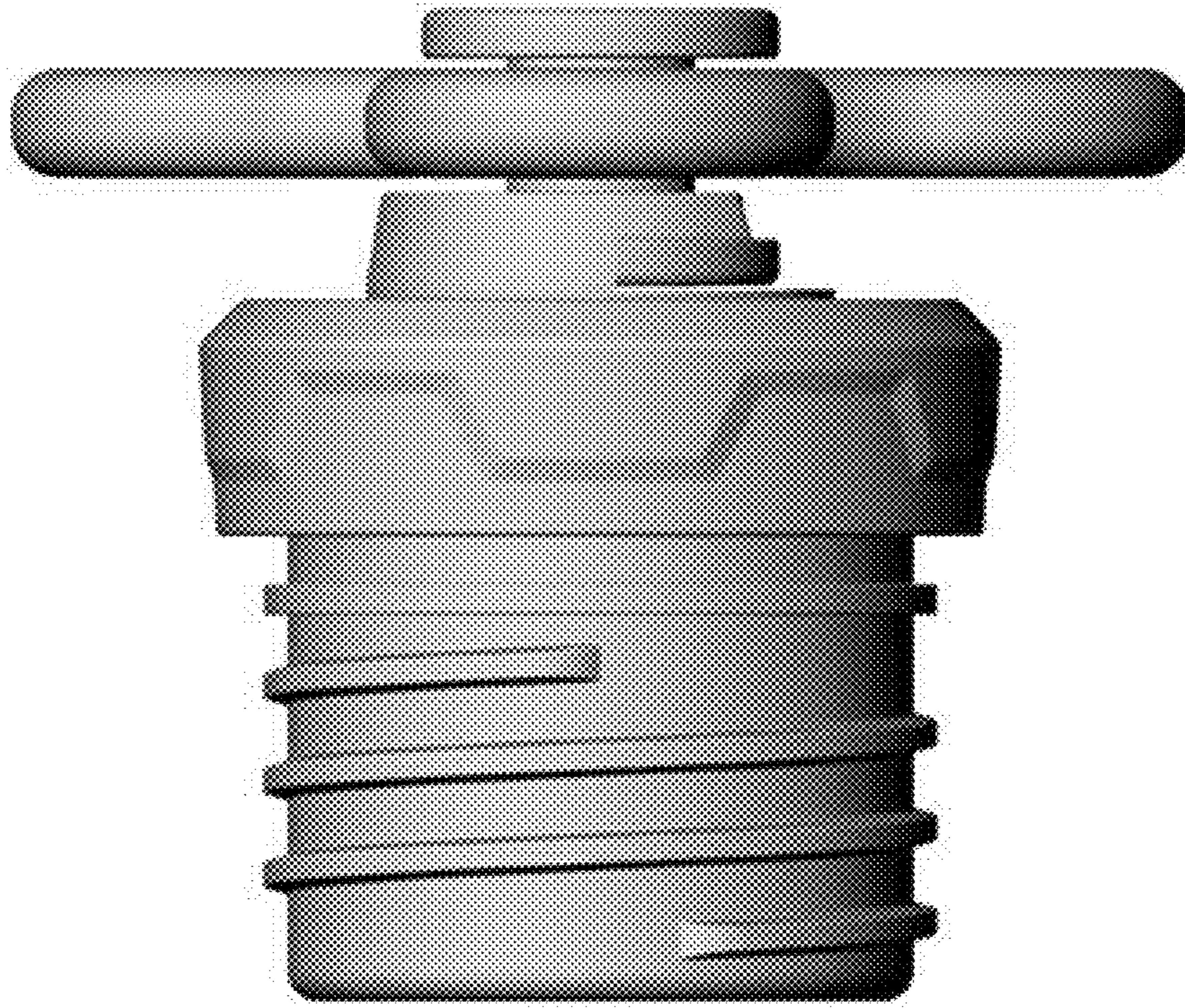


FIG. 1

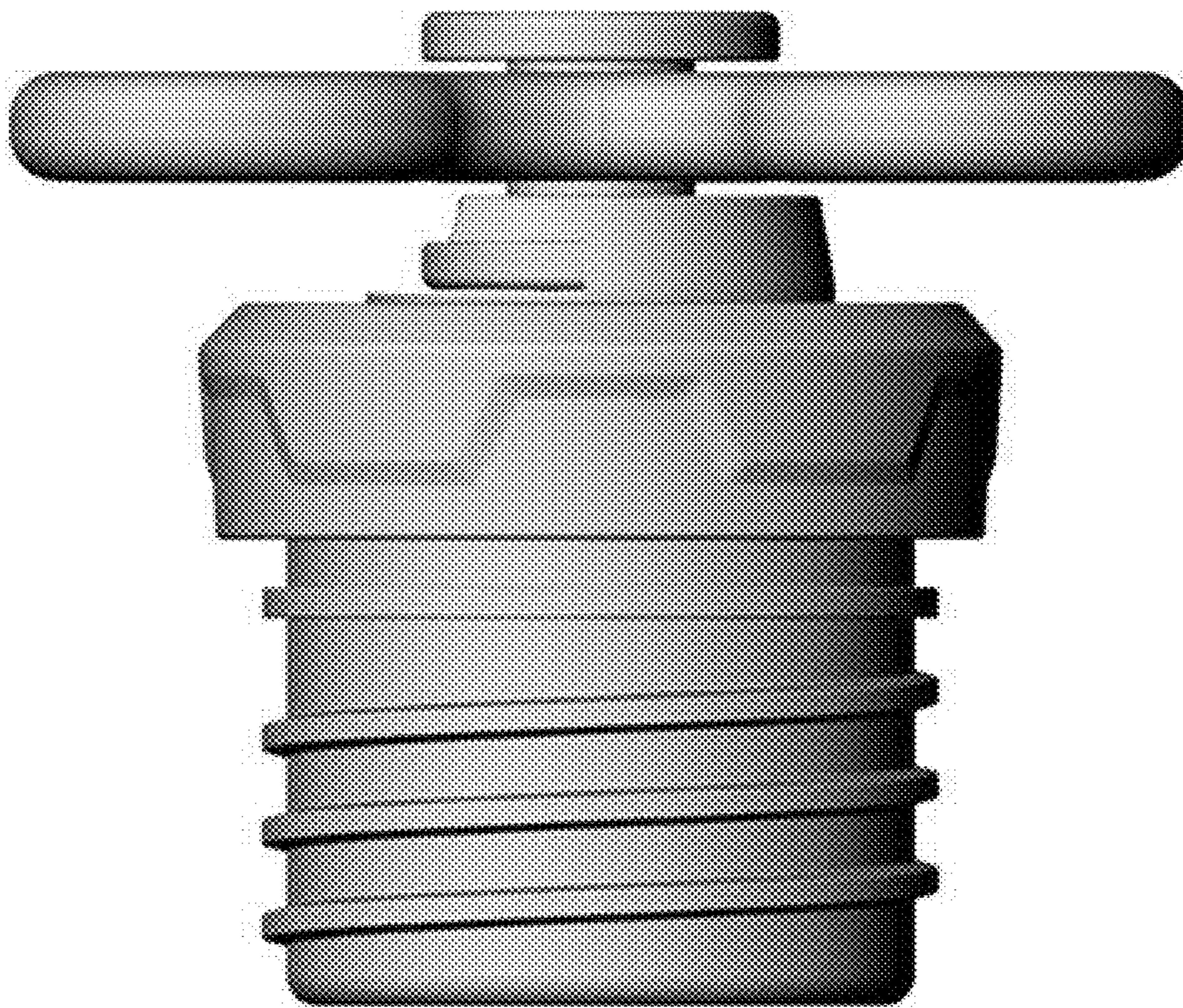


FIG. 2

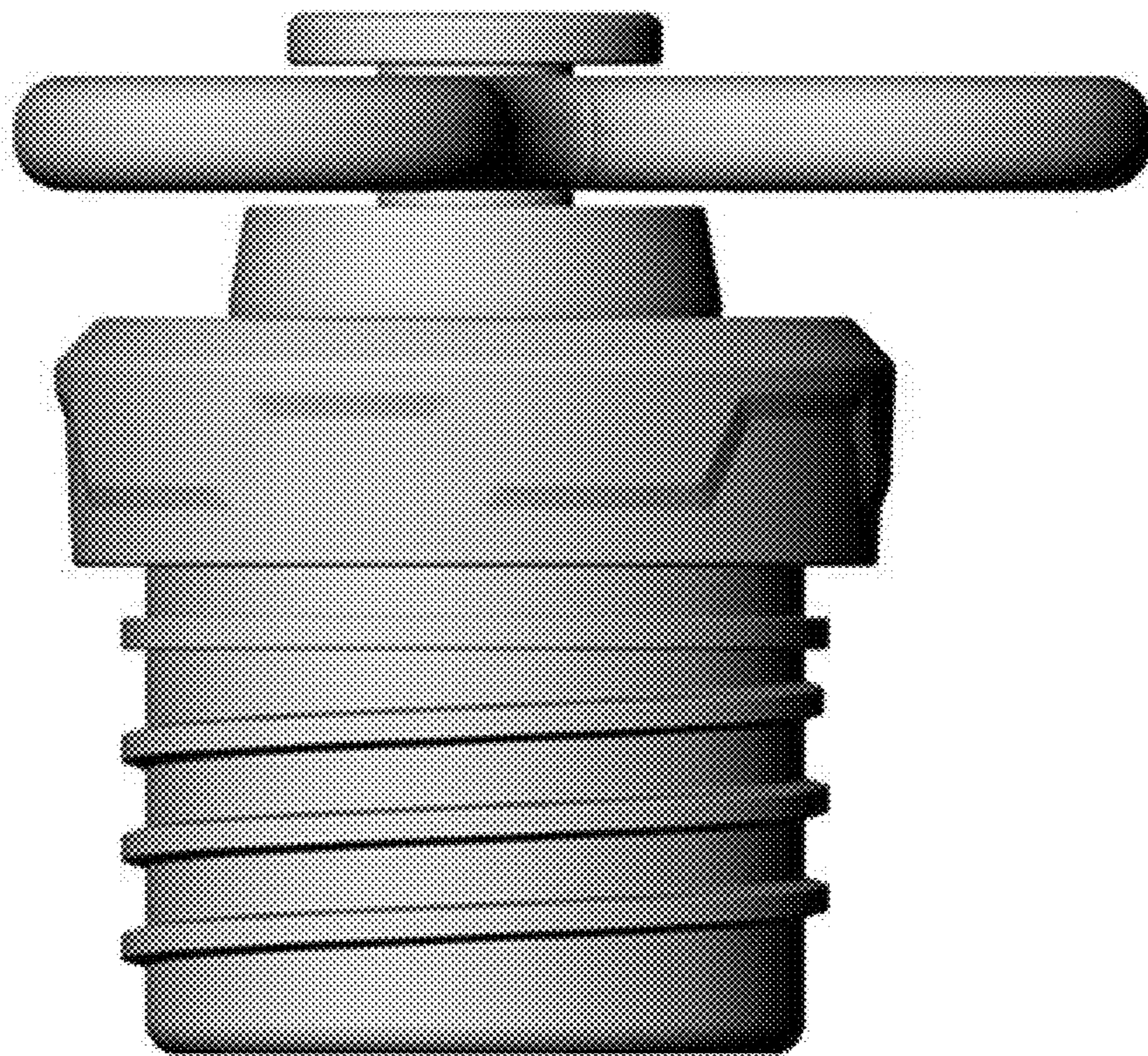


FIG. 3

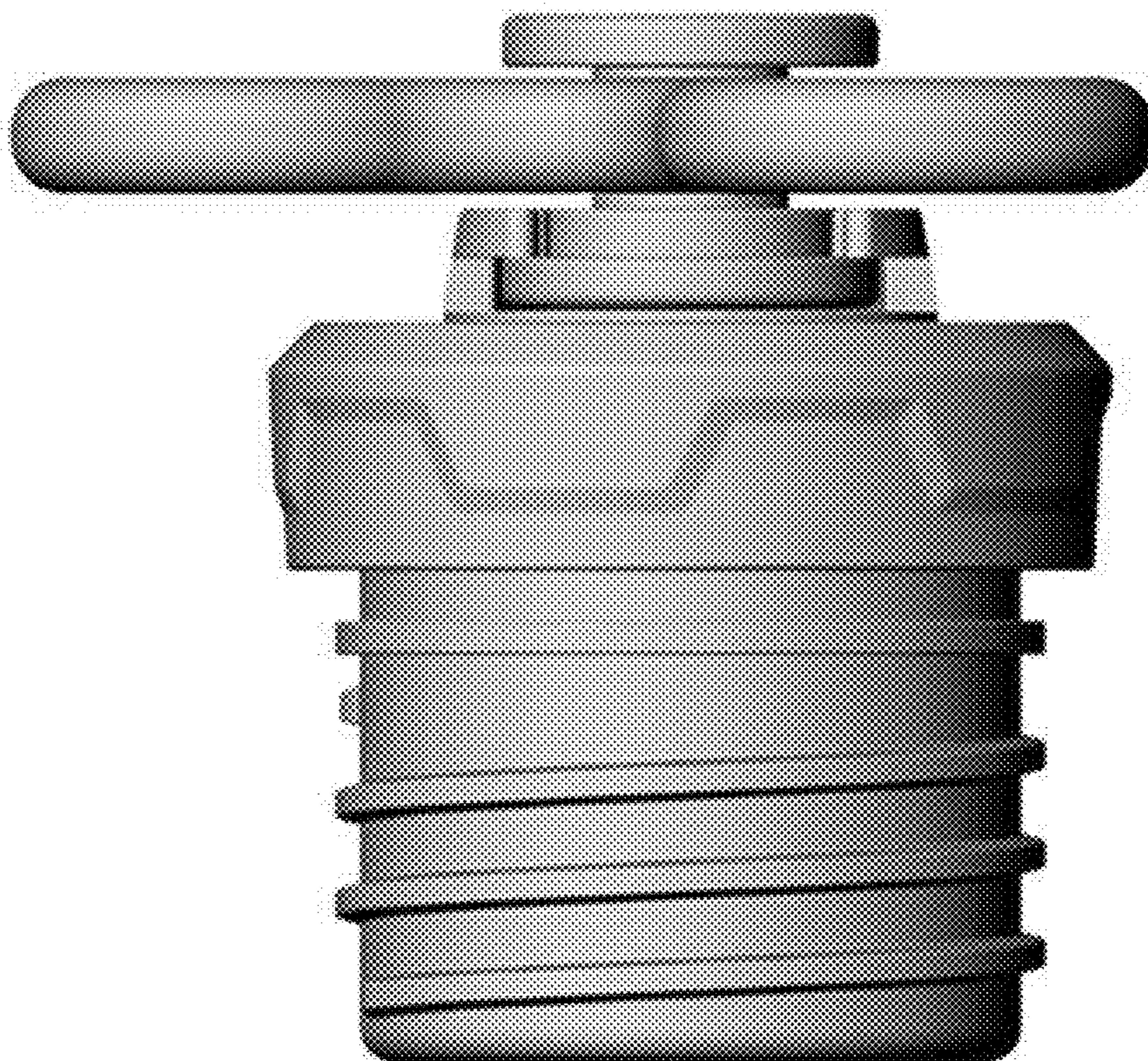


FIG. 4

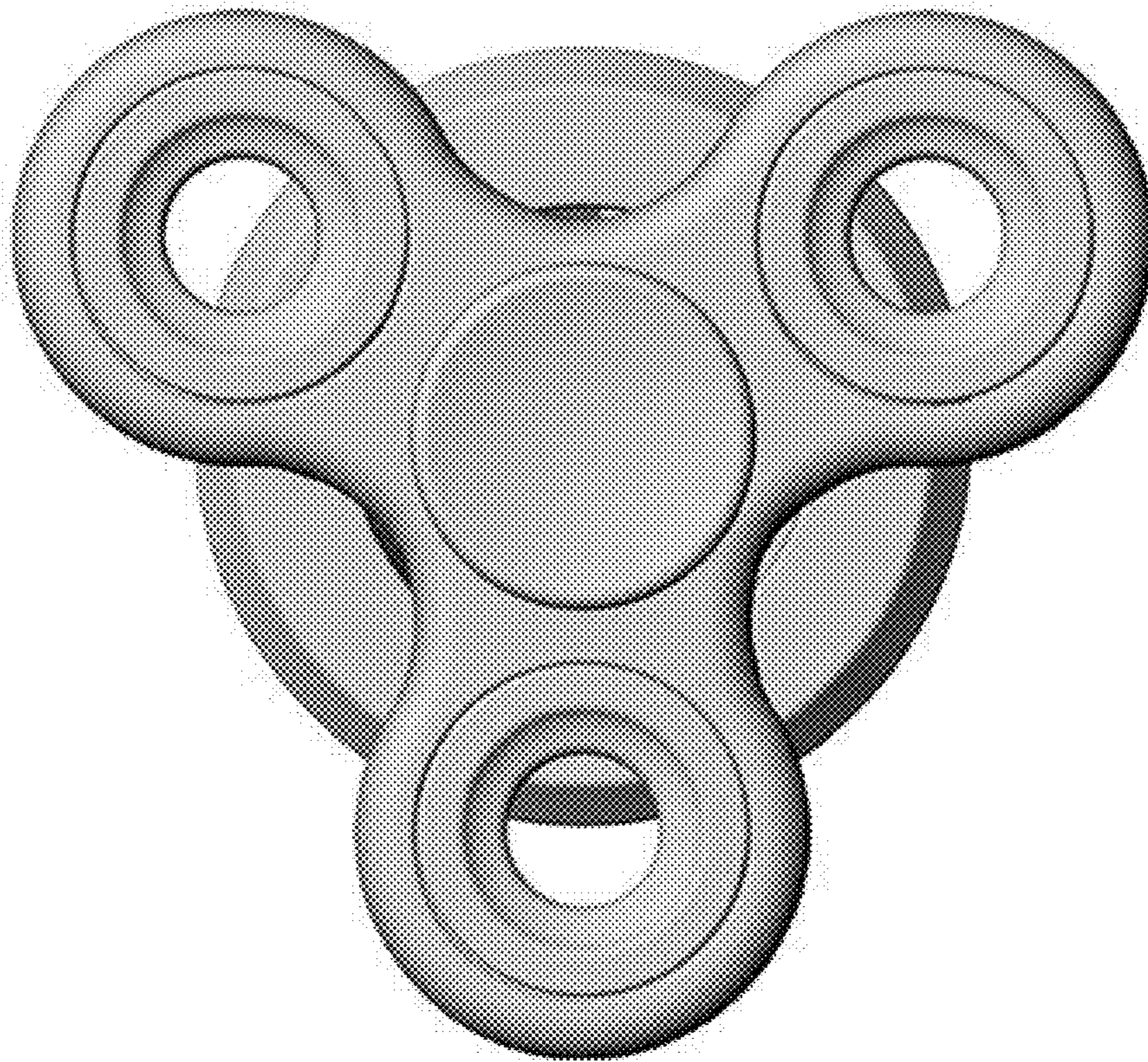


FIG. 5

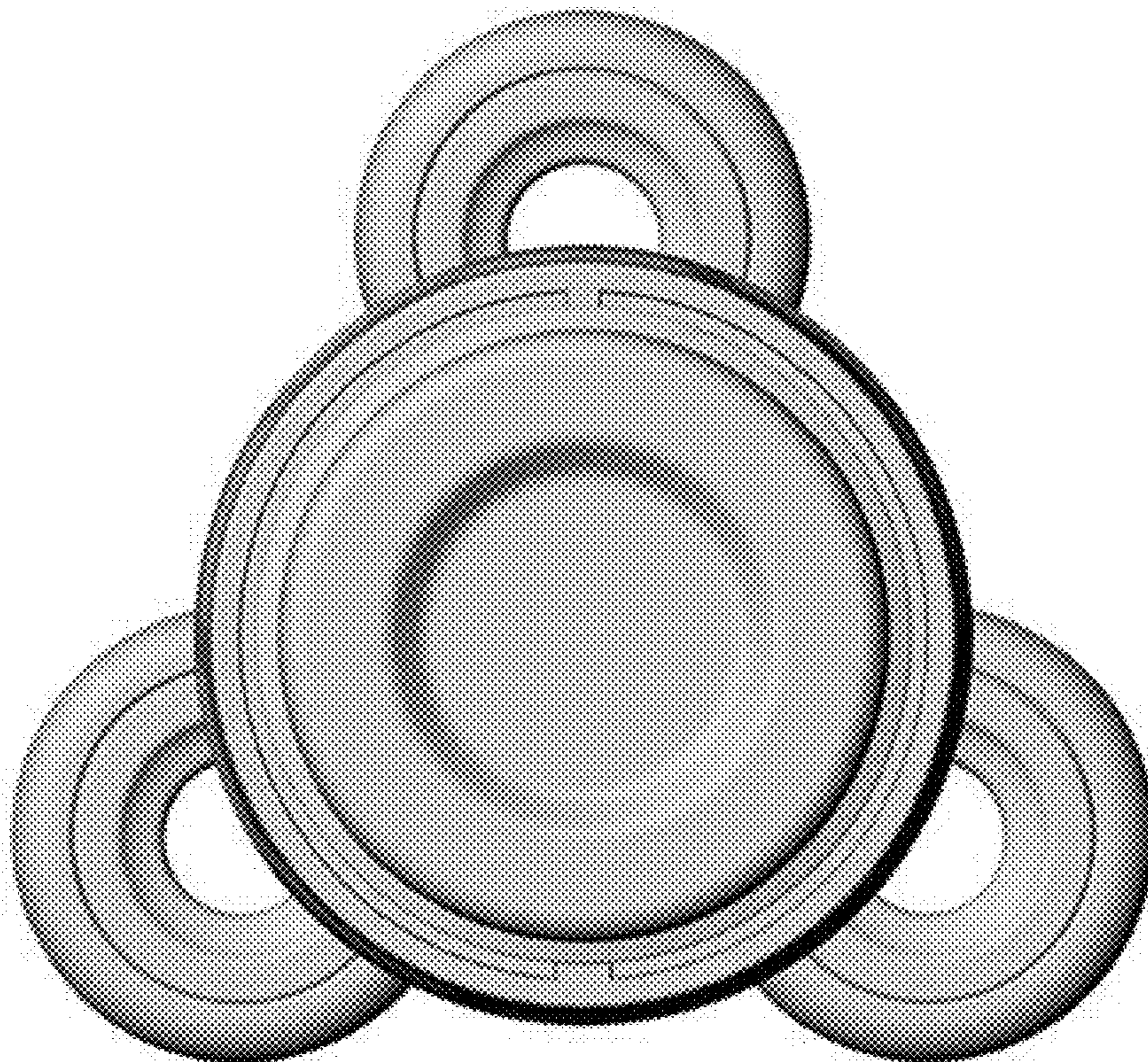


FIG. 6



FIG. 7

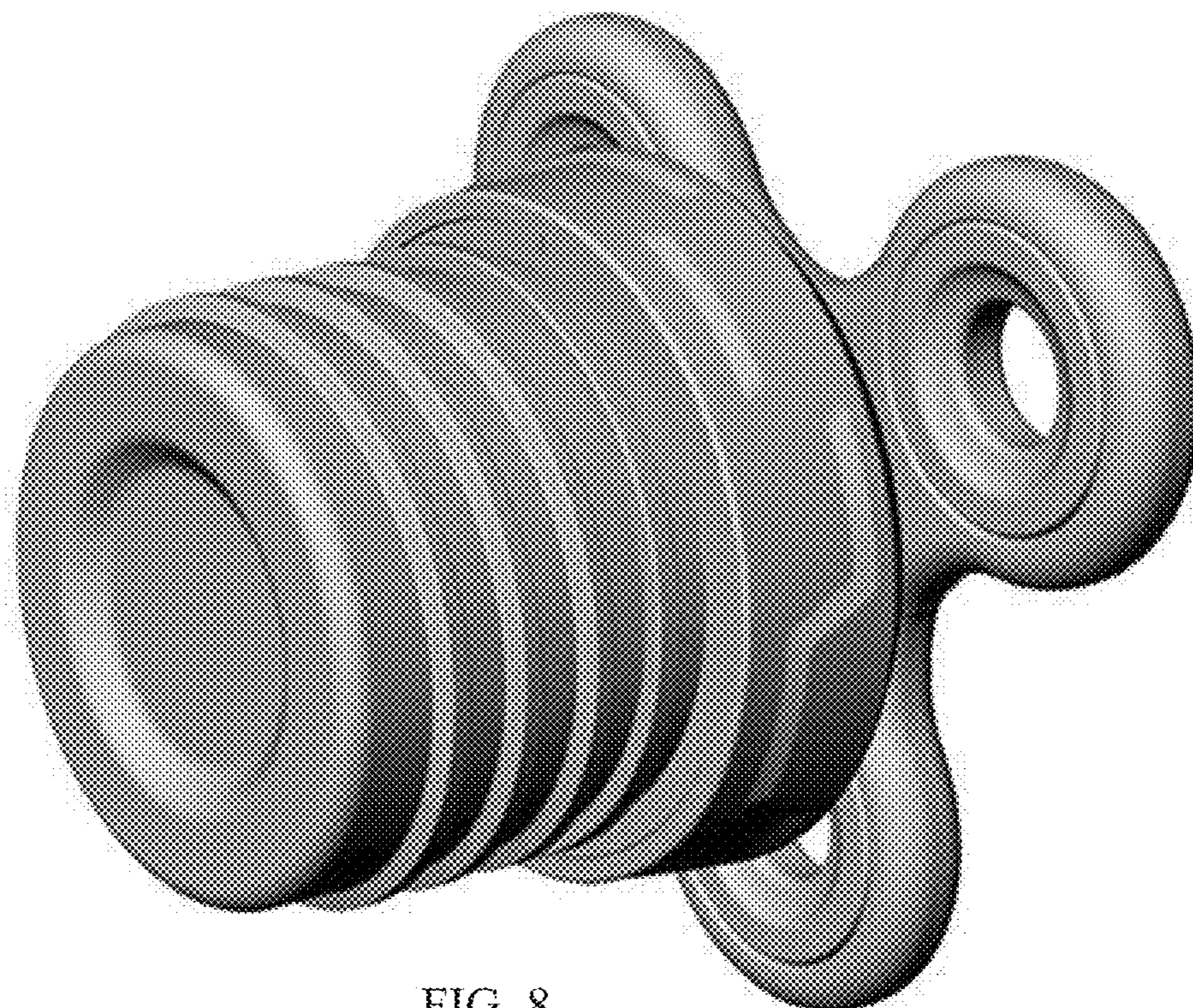


FIG. 8

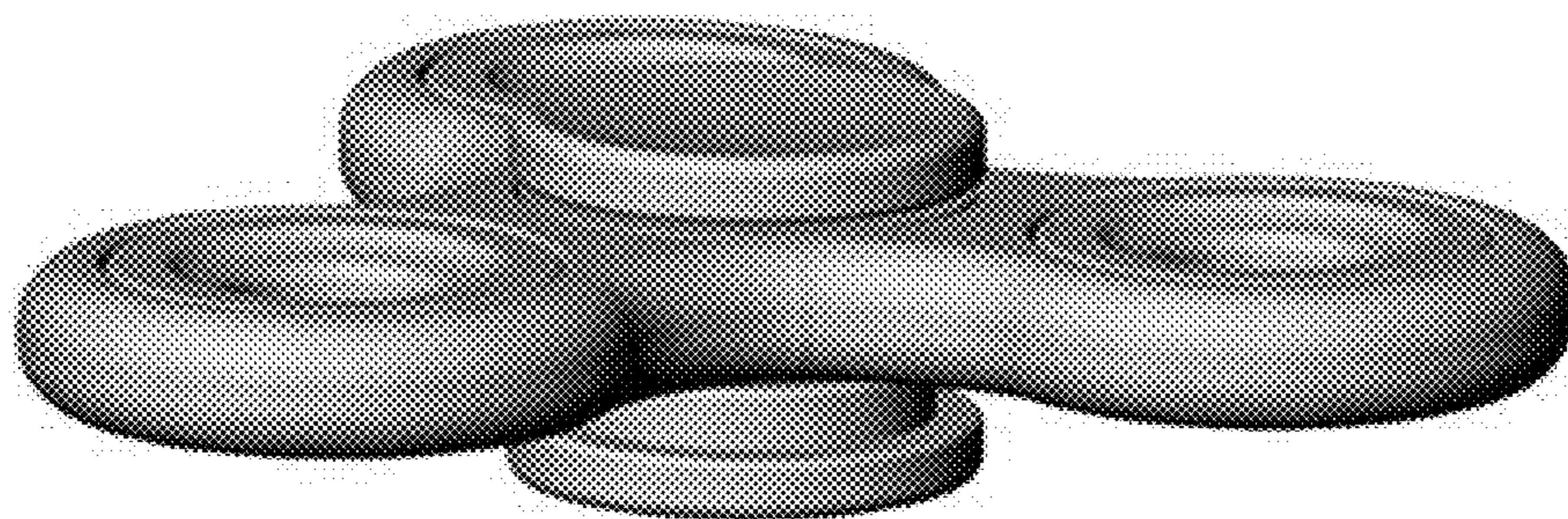


FIG. 9

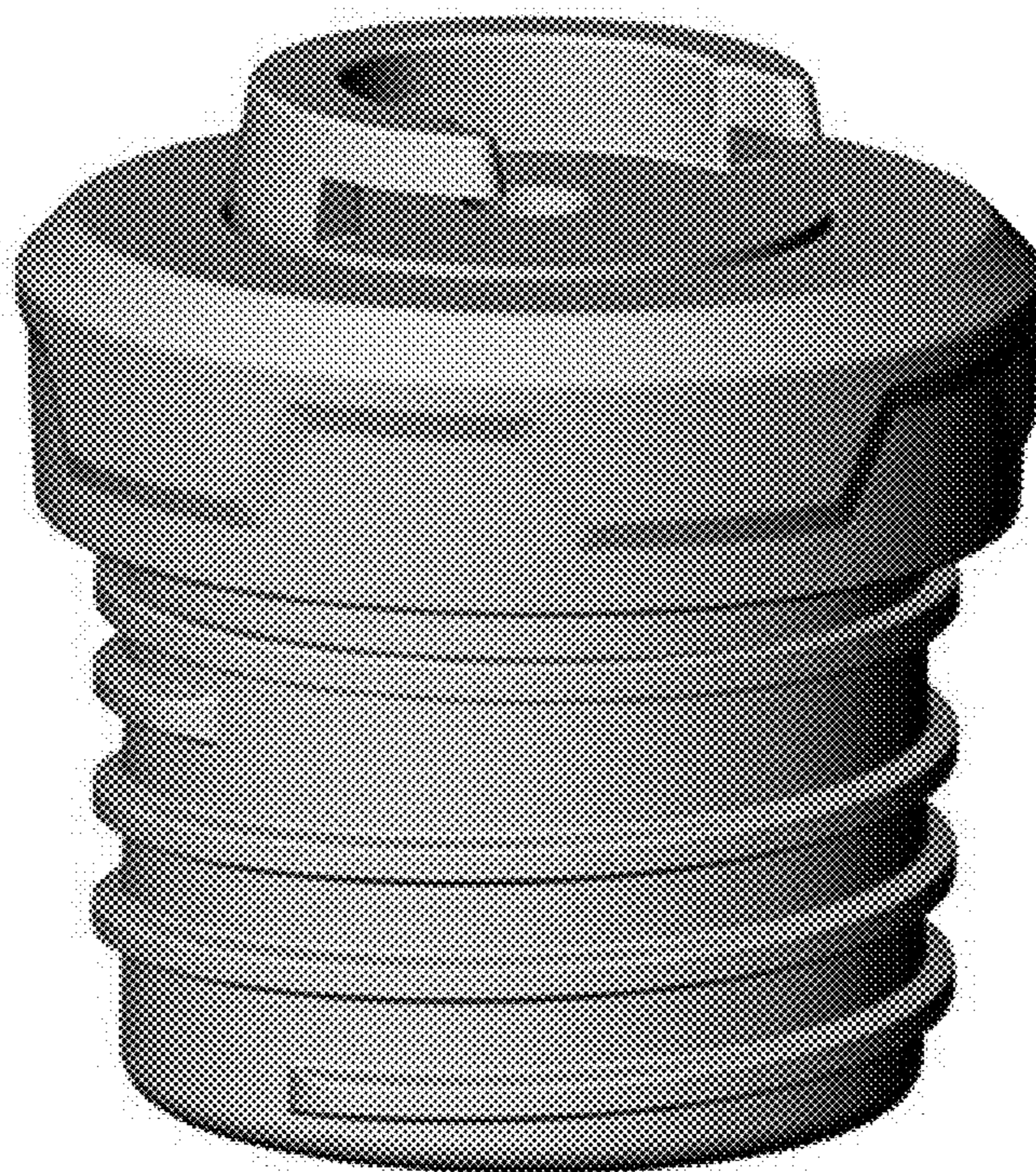


FIG. 10