



US00D853234S

(12) **United States Design Patent**
Aziz

(10) **Patent No.:** **US D853,234 S**
(45) **Date of Patent:** **** Jul. 9, 2019**

(54) **INTERLOCKING CONTAINER**

(71) Applicant: **Jan Aziz**, Fort Worth, TX (US)

(72) Inventor: **Jan Aziz**, Fort Worth, TX (US)

(**) Term: **15 Years**

(21) Appl. No.: **29/639,085**

(22) Filed: **Mar. 3, 2018**

(51) **LOC (11) Cl.** **09-03**

(52) **U.S. Cl.**
USPC **D9/432**

(58) **Field of Classification Search**
USPC D9/414-423, 424-429, 430-432, 433,
D9/434, 456, 457, 711, 713, 721-722
CPC ... B65D 5/00; B65D 5/02; B65D 5/18; B65D
5/20

See application file for complete search history.

(56) **References Cited**

U.S. PATENT DOCUMENTS

- 3,940,053 A * 2/1976 Putman B65D 5/003
206/509
- 5,568,877 A * 10/1996 Rench B32B 3/16
229/164.2
- D379,716 S * 6/1997 Zipperle D3/304
- 6,296,178 B1 * 10/2001 McKenna, Sr. B65D 5/0025
229/165
- 6,641,032 B1 * 11/2003 Schilling B65D 5/0025
206/509
- D494,759 S * 8/2004 Louie D3/304
- D505,788 S * 6/2005 Sorrenti D3/304
- D519,838 S * 5/2006 Brooks D9/456
- 7,413,111 B2 * 8/2008 Quaintance B65D 5/0015
220/651
- D592,075 S * 5/2009 Holcomb D9/721
- 7,681,785 B2 * 3/2010 Grigor B65D 5/0015
229/174
- D681,452 S * 5/2013 Dennen D9/433

- D682,119 S * 5/2013 Buford D9/721
 - D690,514 S * 10/2013 Shamp D3/304
 - 9,156,578 B2 * 10/2015 Smith B65D 1/225
- (Continued)

OTHER PUBLICATIONS

Smurfit Kappa's Sustainable Fruit Packaging on Show at Fruit Logistica.[online] Published on Jan. 30, 2018. Retrieved Dec. 17, 2018 from URL: <https://packagingeurope.com/smurfit-kappas-sustainable-fruit-packaging-fruit-logistica/>.*

Primary Examiner — Vy N Koenig

(74) *Attorney, Agent, or Firm* — Andrew Morabito

(57) **CLAIM**

The ornamental design for an interlocking container, as shown and described.

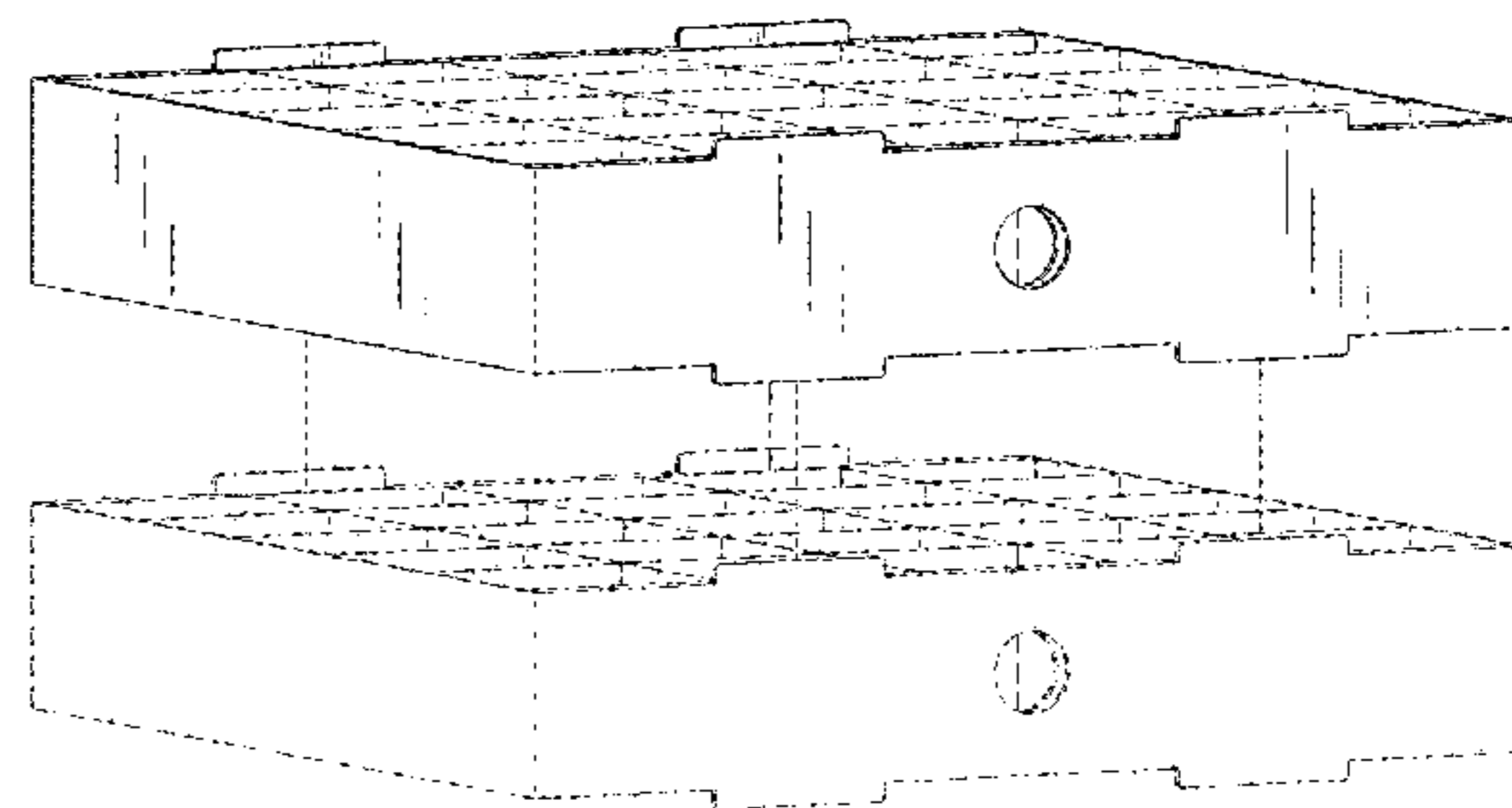
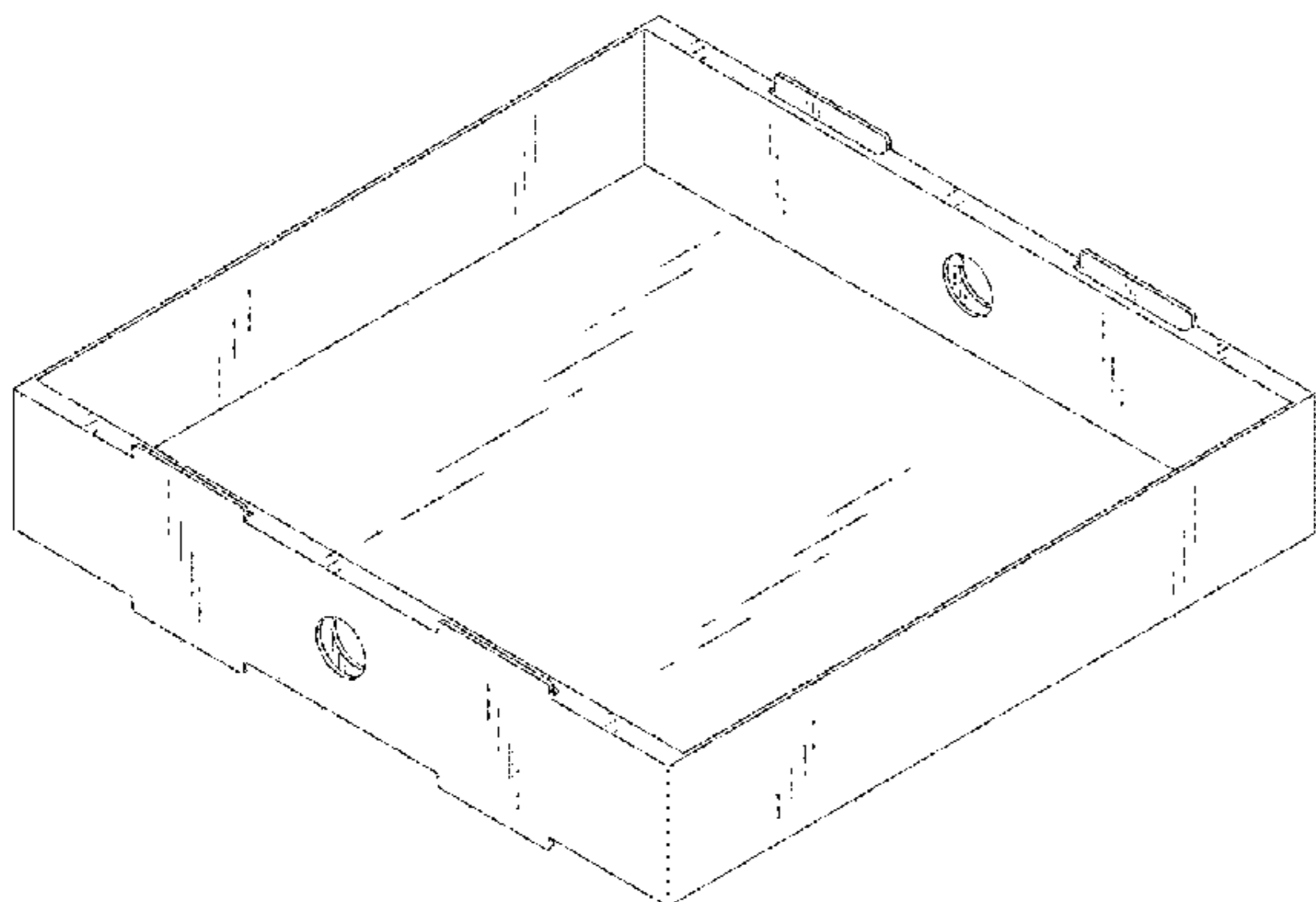
DESCRIPTION

FIG. 1 is a front perspective view of an interlocking container showing my new design;
 FIG. 2 is a top view of the container of FIG. 1 shown with an unclaimed divider; and
 FIG. 3 is a bottom view thereof.
 FIG. 4 is a front view thereof.
 FIG. 5 is a side view thereof.
 FIG. 6 is a front perspective view of two interlocking containers secured to one another thereof.
 FIG. 7 is a front perspective view of two interlocking containers prior to being secured thereof; and,
 FIG. 8 is a top view of the interlocking container unfolded thereof.

The dash-dash lines in the drawings depict environmental subject matter, specifically a divider within the interlocking containers and a second interlocking container, that form no part of the claimed design. The unshaded regions and regions demarcated by broken lines form no part of the claimed design.

The dash-dot-dot lines depict fold lines and form no part of the claimed design.

1 Claim, 6 Drawing Sheets



(56)

References Cited

U.S. PATENT DOCUMENTS

D825,329 S * 8/2018 Ross D9/433
2005/0061863 A1 * 3/2005 Quaintance B65D 5/0015
229/199

* cited by examiner

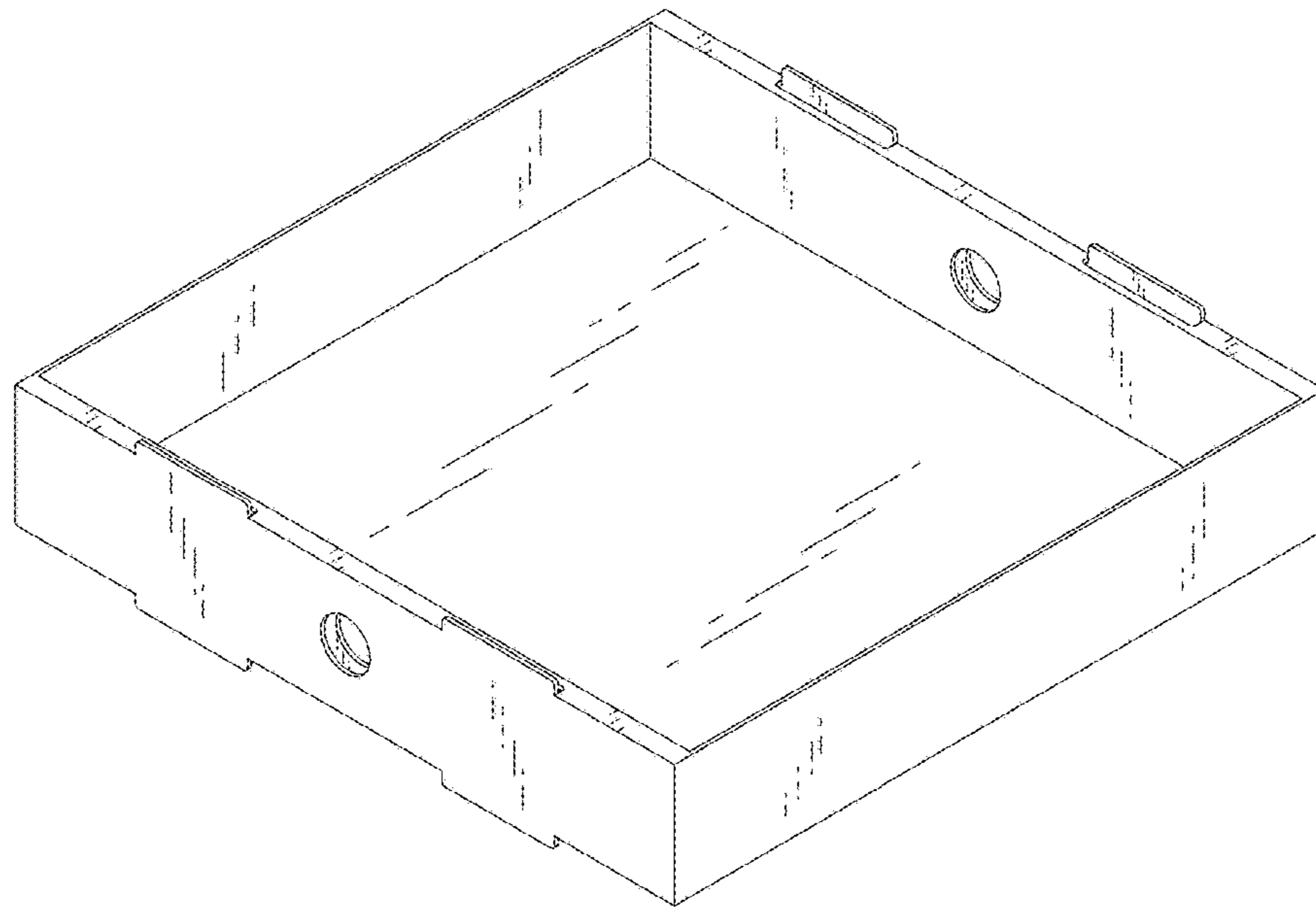


FIG. 1

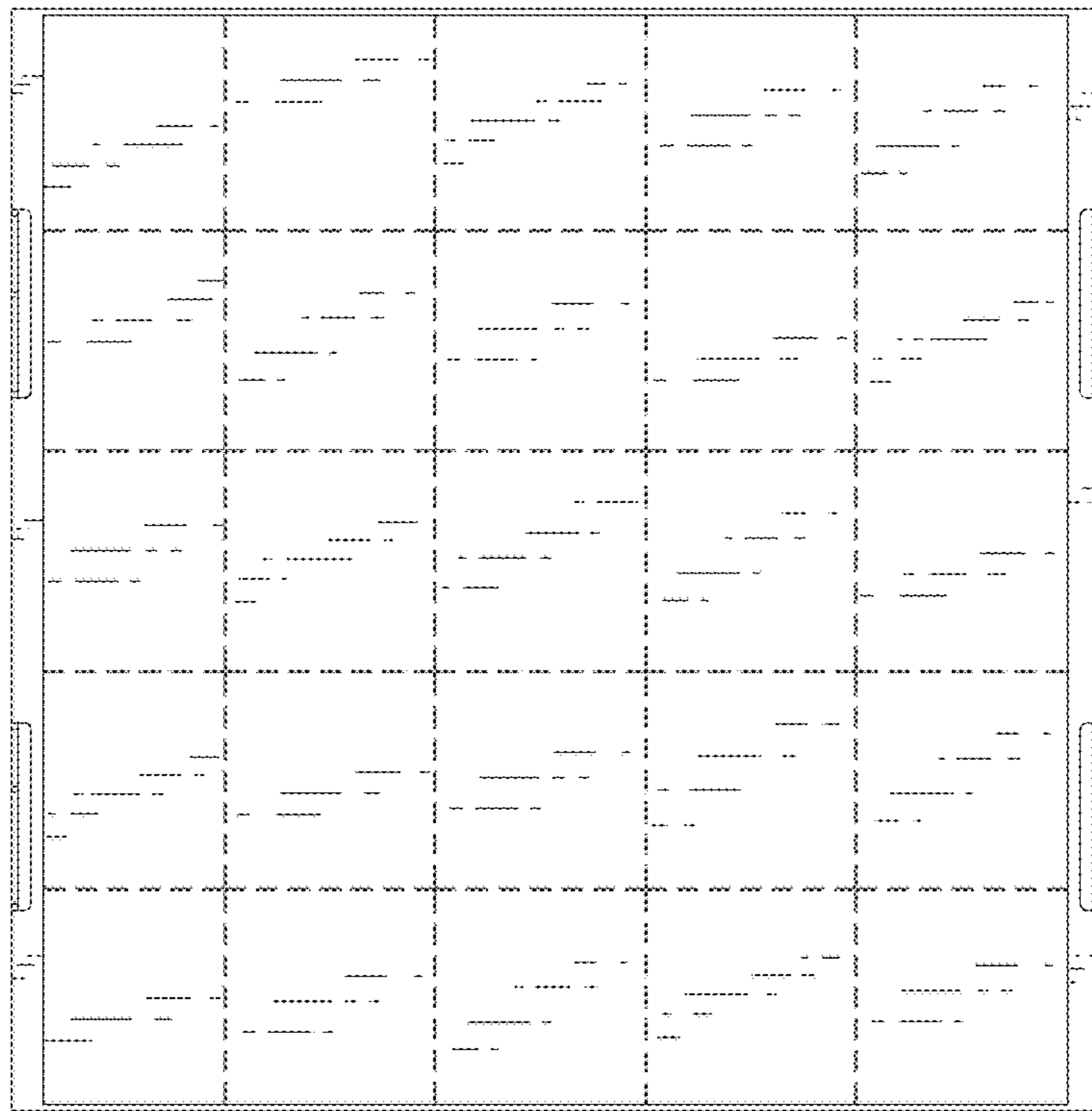


FIG. 2

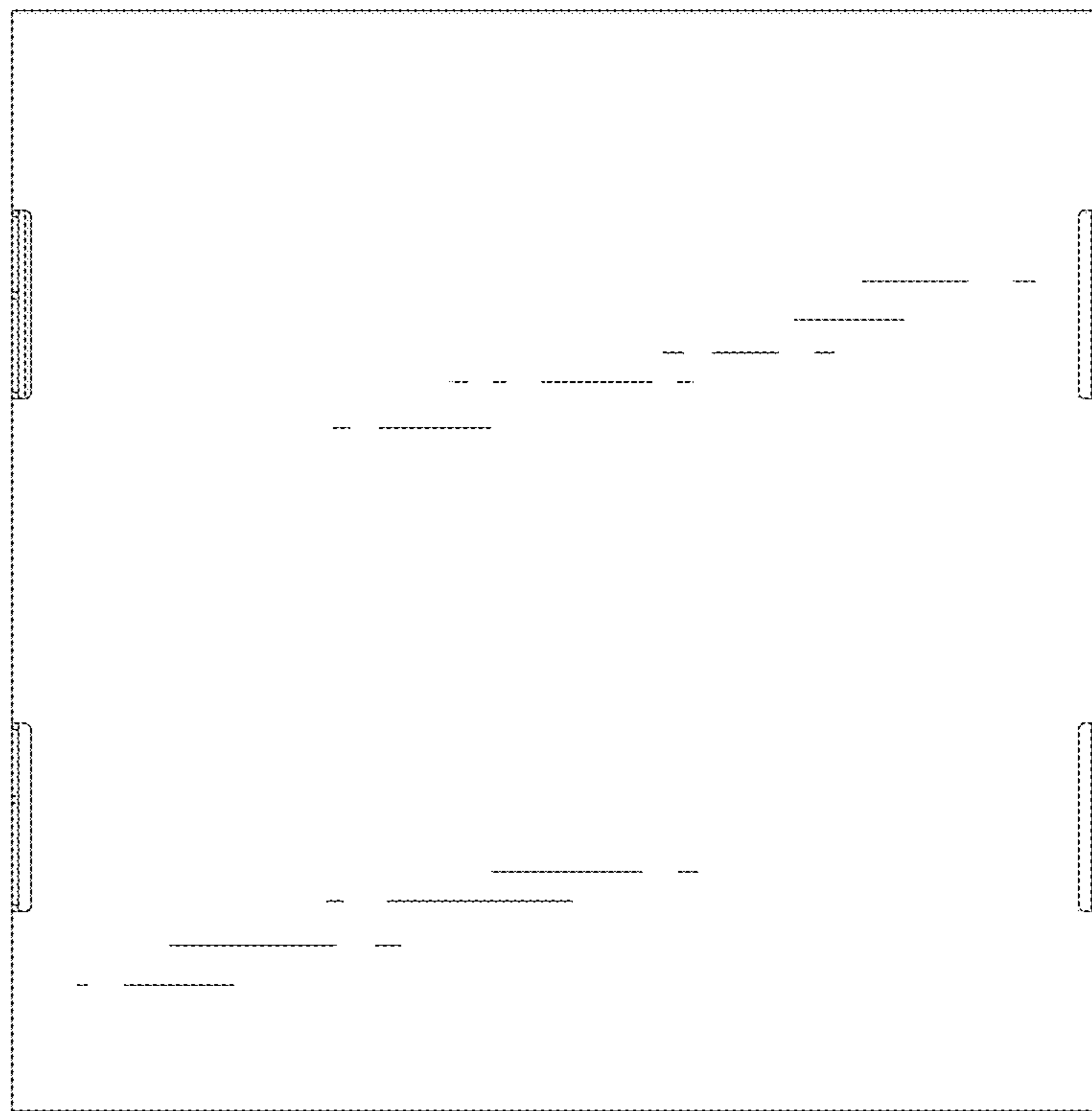


FIG. 3

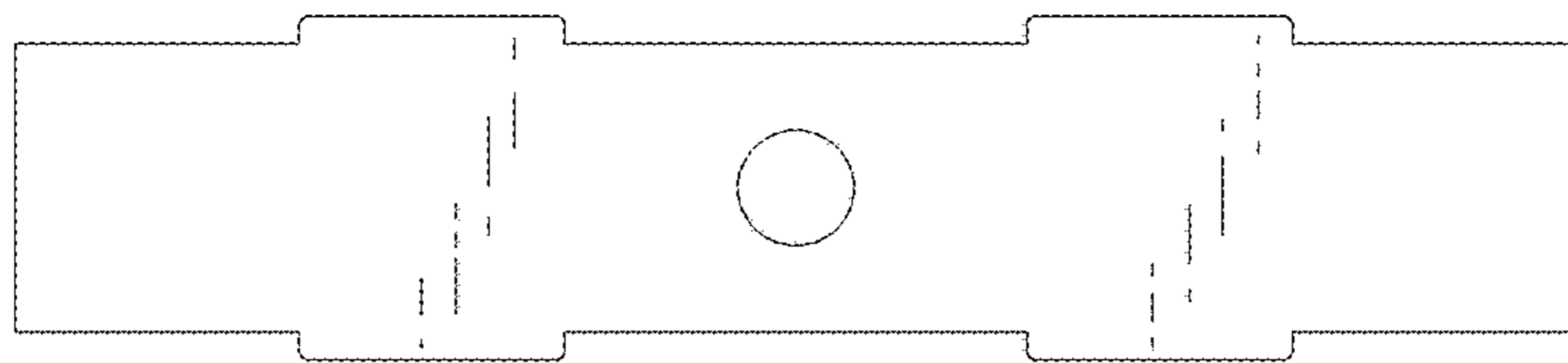


FIG. 4

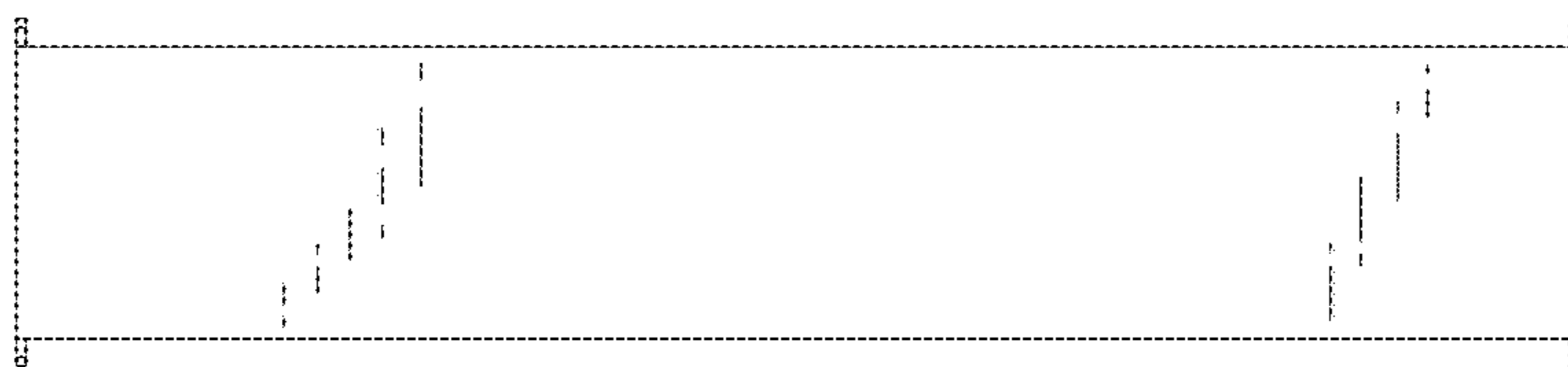


FIG. 5

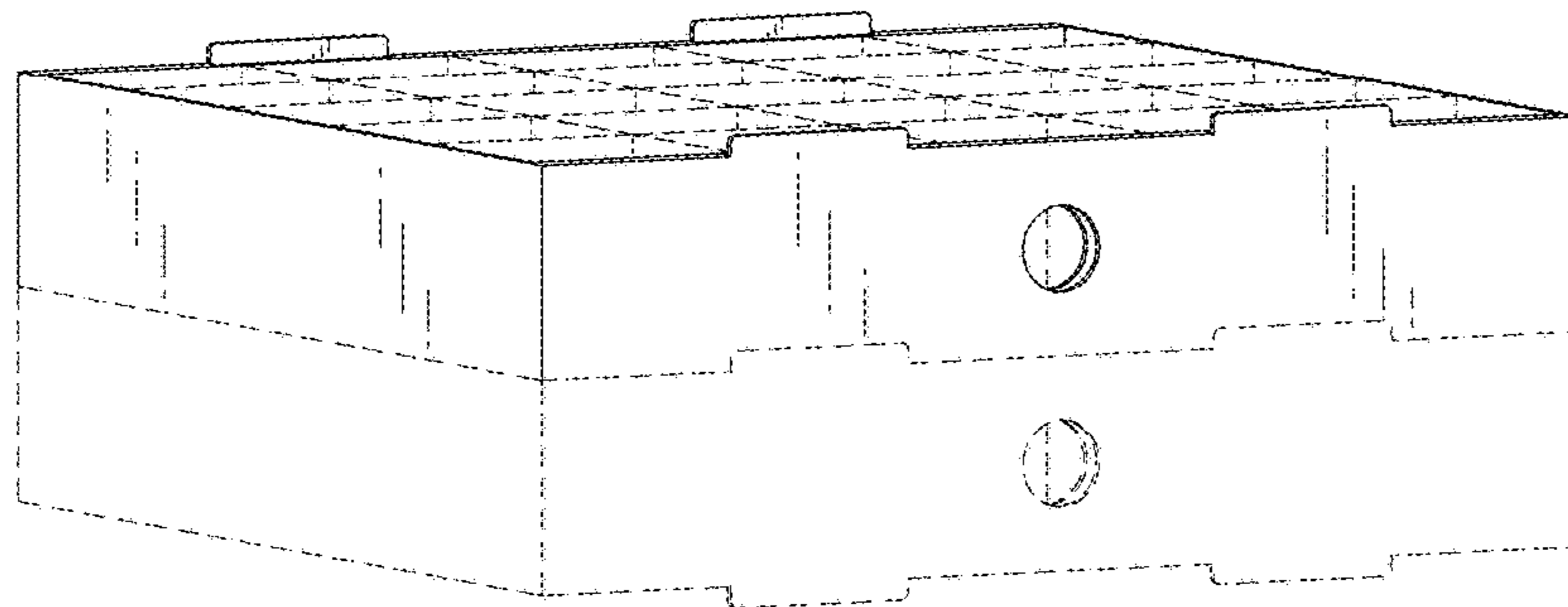


FIG. 6

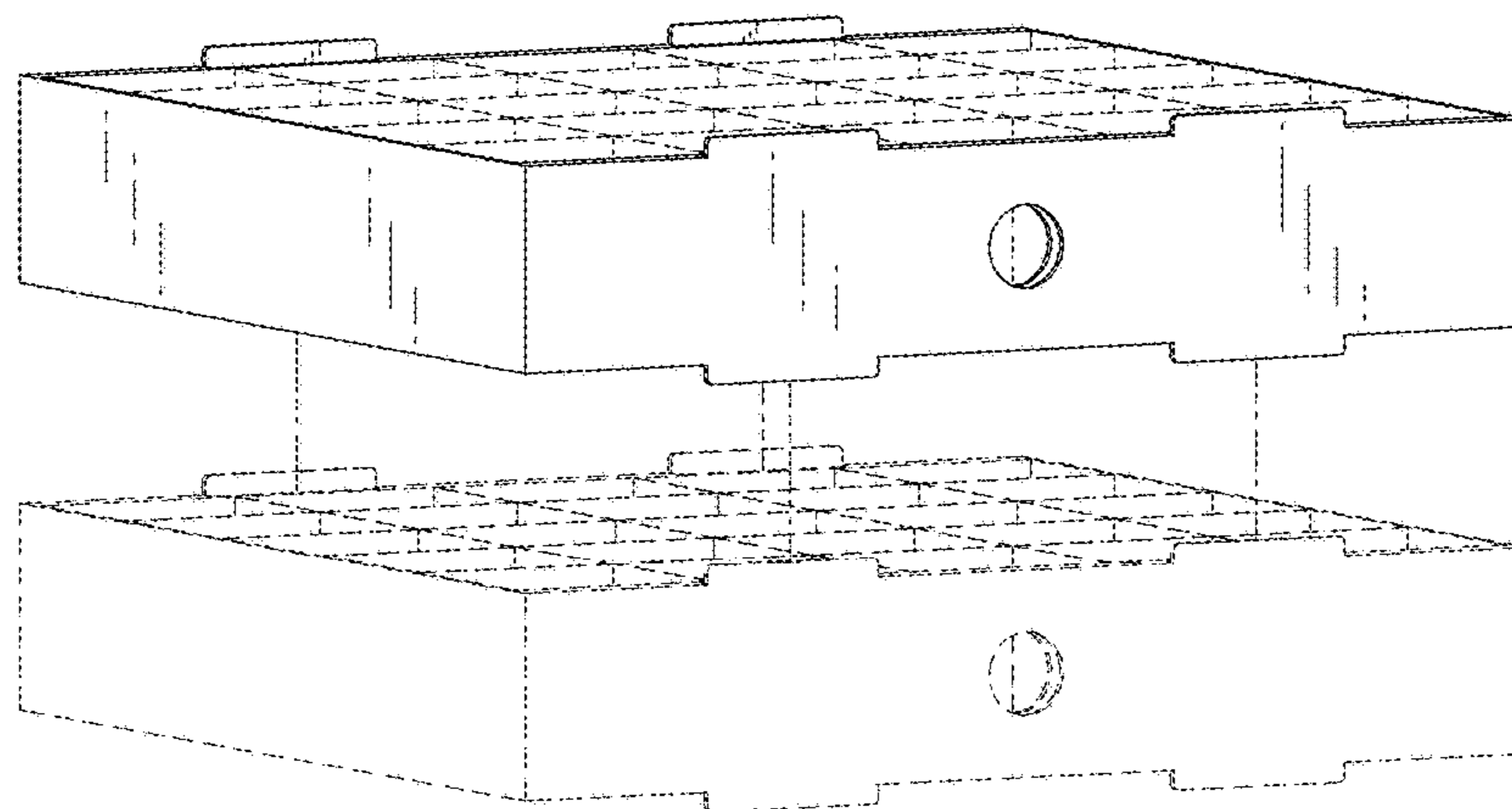


FIG. 7

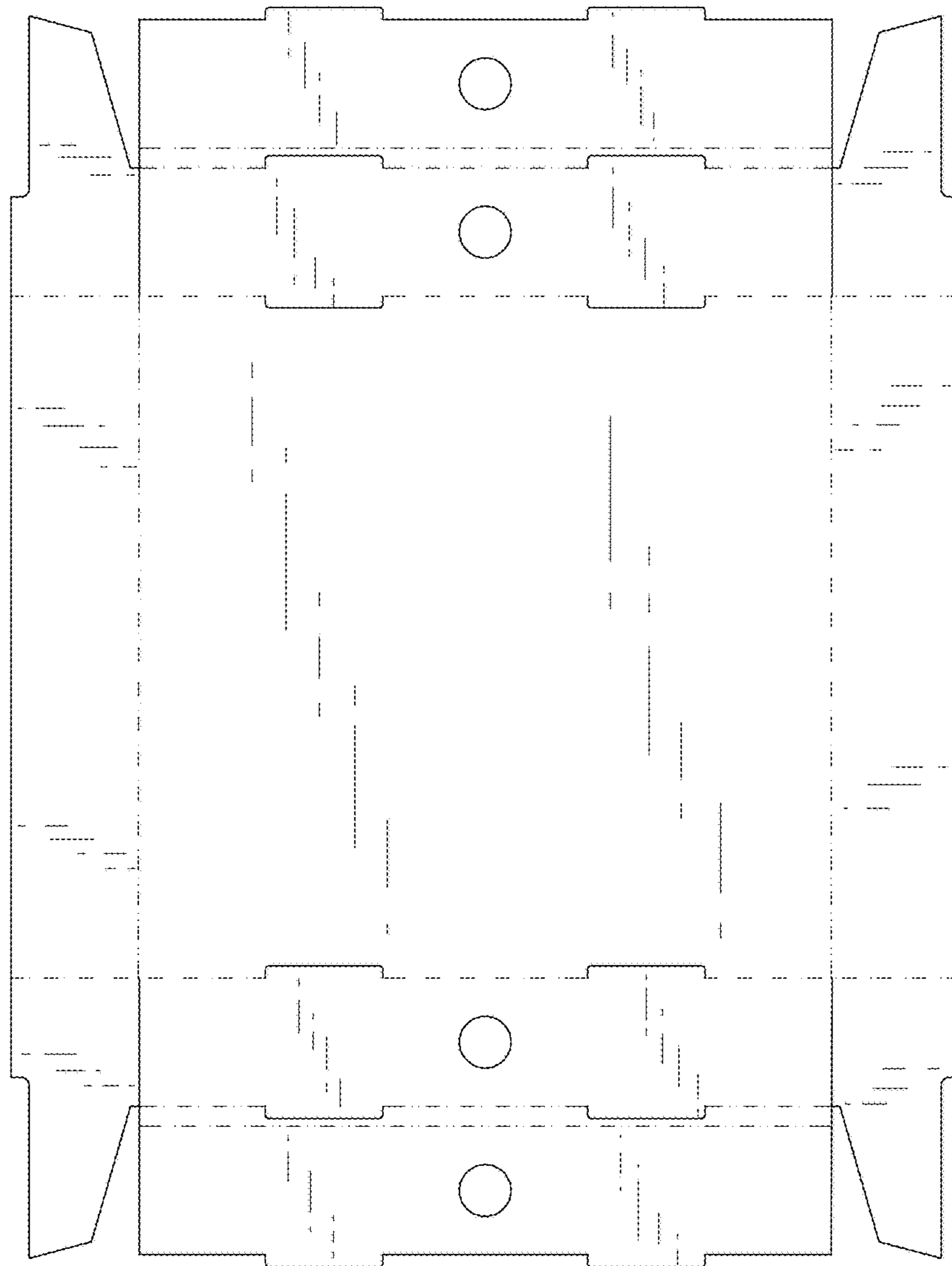


FIG. 8