



US00D853232S

(12) **United States Design Patent** (10) **Patent No.:** **US D853,232 S**
Hirai (45) **Date of Patent:** **** Jul. 9, 2019**

(54) **COMBINED CONTAINER AND BASE**

(71) Applicant: **Yasuhiro Hirai**, Gunma (JP)

(72) Inventor: **Yasuhiro Hirai**, Gunma (JP)

(73) Assignee: **CALA & CO. LLC**, Gunma (JP)

(**) Term: **15 Years**

(21) Appl. No.: **35/504,402**

(22) Filed: **Aug. 8, 2017**

(80) **Hague Agreement Data**

Int. Filing Date: **Aug. 8, 2017**
Int. Reg. No.: **DM/098796**
Int. Reg. Date: **Aug. 8, 2017**
Int. Reg. Pub. Date: **Feb. 9, 2018**

(51) **LOC (11) Cl.** **09-03**

(52) **U.S. Cl.**
USPC **D9/428**

(58) **Field of Classification Search**

USPC D9/428, 430, 455, 500, 501, 516, 517,
D9/530, 593, 548, 549, 558; D11/143,
D11/152-154; D19/81, 84, 85, 102, 107
CPC B65D 1/02; B65D 1/0223; B65D 1/10;
B65D 2501/00; B65D 2501/0009; B65D
2081/001; B65D 2081/002; B65D
2081/007; B65D 2081/008

See application file for complete search history.

(56) **References Cited**

U.S. PATENT DOCUMENTS

2,998,896 A * 9/1961 Miller B65D 11/02
220/4.26
3,851,571 A * 12/1974 Nichols A23B 5/043
206/216
4,124,135 A * 11/1978 Weder B65D 1/00
220/4.21
4,244,470 A * 1/1981 Burnham A23G 9/503
206/525

D273,766 S * 5/1984 Lampe D9/424
D349,976 S * 8/1994 Connell D28/76
5,992,619 A * 11/1999 Milano B65D 75/32
206/216
D421,216 S * 2/2000 Abrams D9/643
6,912,829 B2 * 7/2005 Costantini B65B 11/50
426/392
D608,160 S * 1/2010 Colbert D7/628

(Continued)

Primary Examiner — Melanie H Tung

Assistant Examiner — Bao-Yen T Nguyen

(74) *Attorney, Agent, or Firm* — Oliff PLC

(57) **CLAIM**

The ornamental design for a combined container and base, as shown and described.

DESCRIPTION

1. Container (packaging)

1.1 : Front

1.2 : Right

1.3 : Top

1.4 : Bottom

1.5 : Perspective

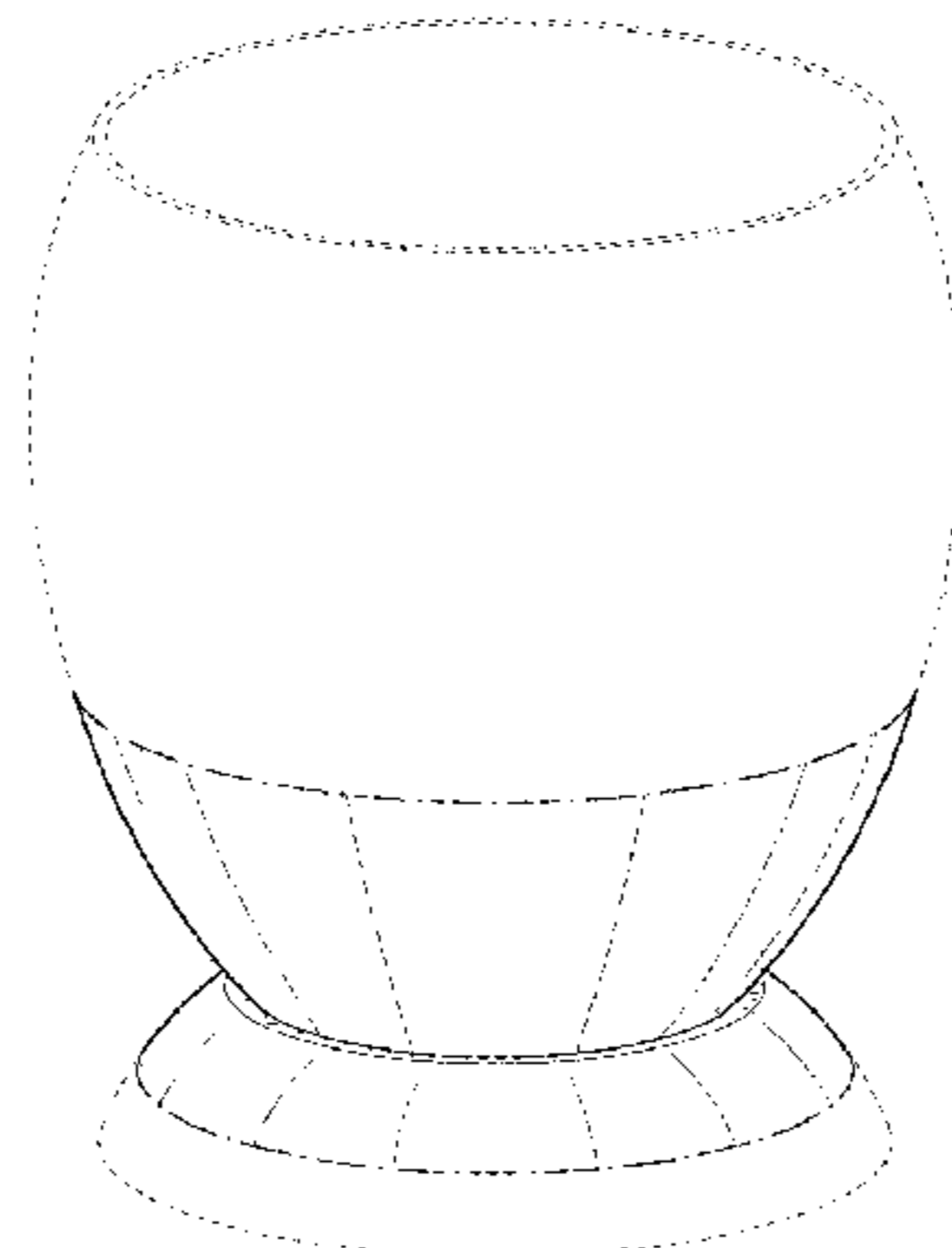
1.6 : Exploded

1.7 : Exploded

1.8 : Cross-sectional

The base part can be removed from the body; the rear view is the same as the front view and is omitted; the left side view is the same as the right side view and is omitted; fig. 1.6 is a perspective view of the body; fig. 1.7 is a perspective view of the base; shading lines represented on the surface of the article in each drawing are for specifying the shape of the solid surface; fig. 1.8 is a sectional view of fig. 1.1 vertically sectioned along line 8-8 in fig. 2; the broken lines depict portions of the container body and base part that form no part of the claimed design; the dot-dash chain lines depict boundaries of the claimed subject matter and form no part of the claimed design.

1 Claim, 7 Drawing Sheets



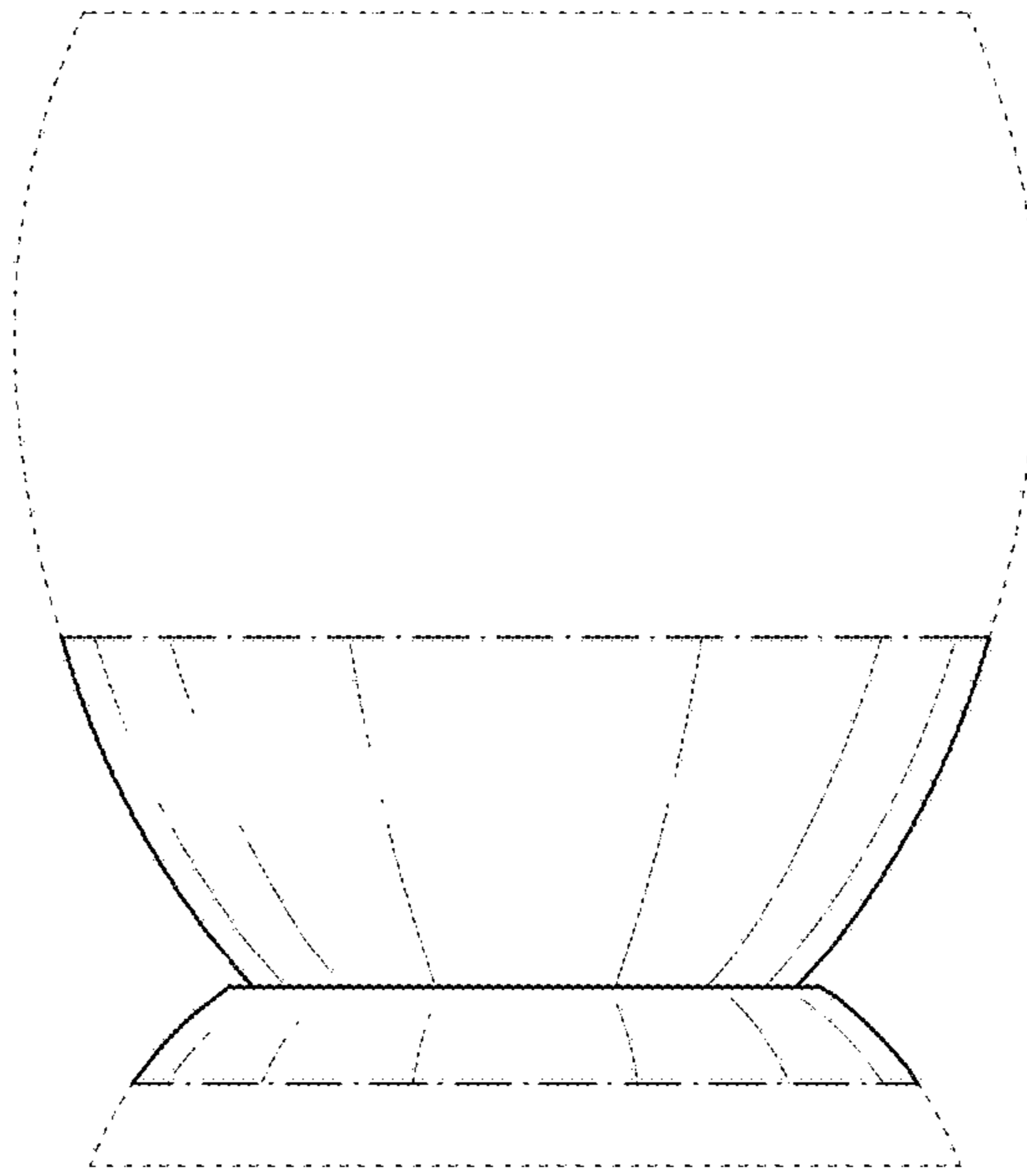
(56)

References Cited

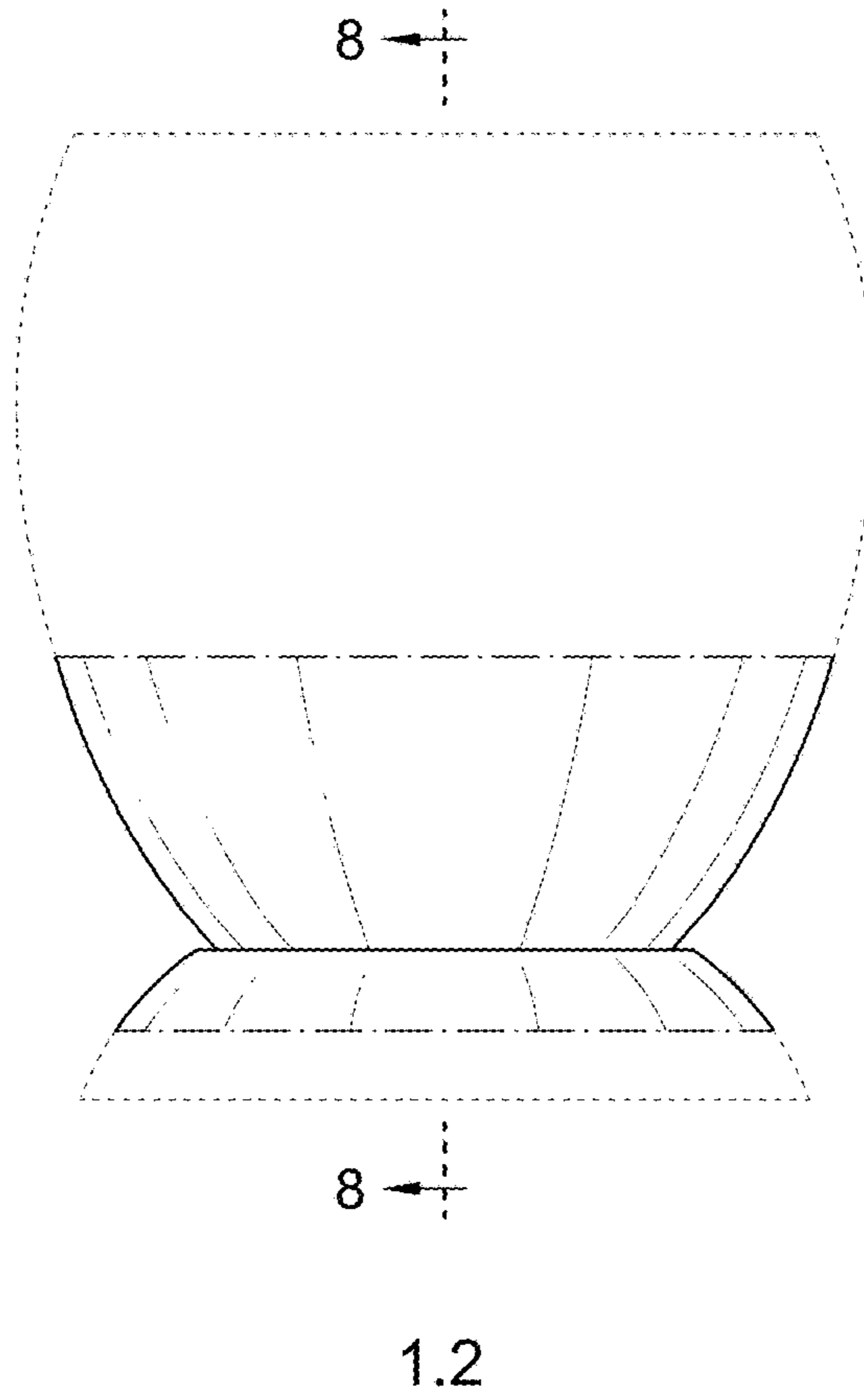
U.S. PATENT DOCUMENTS

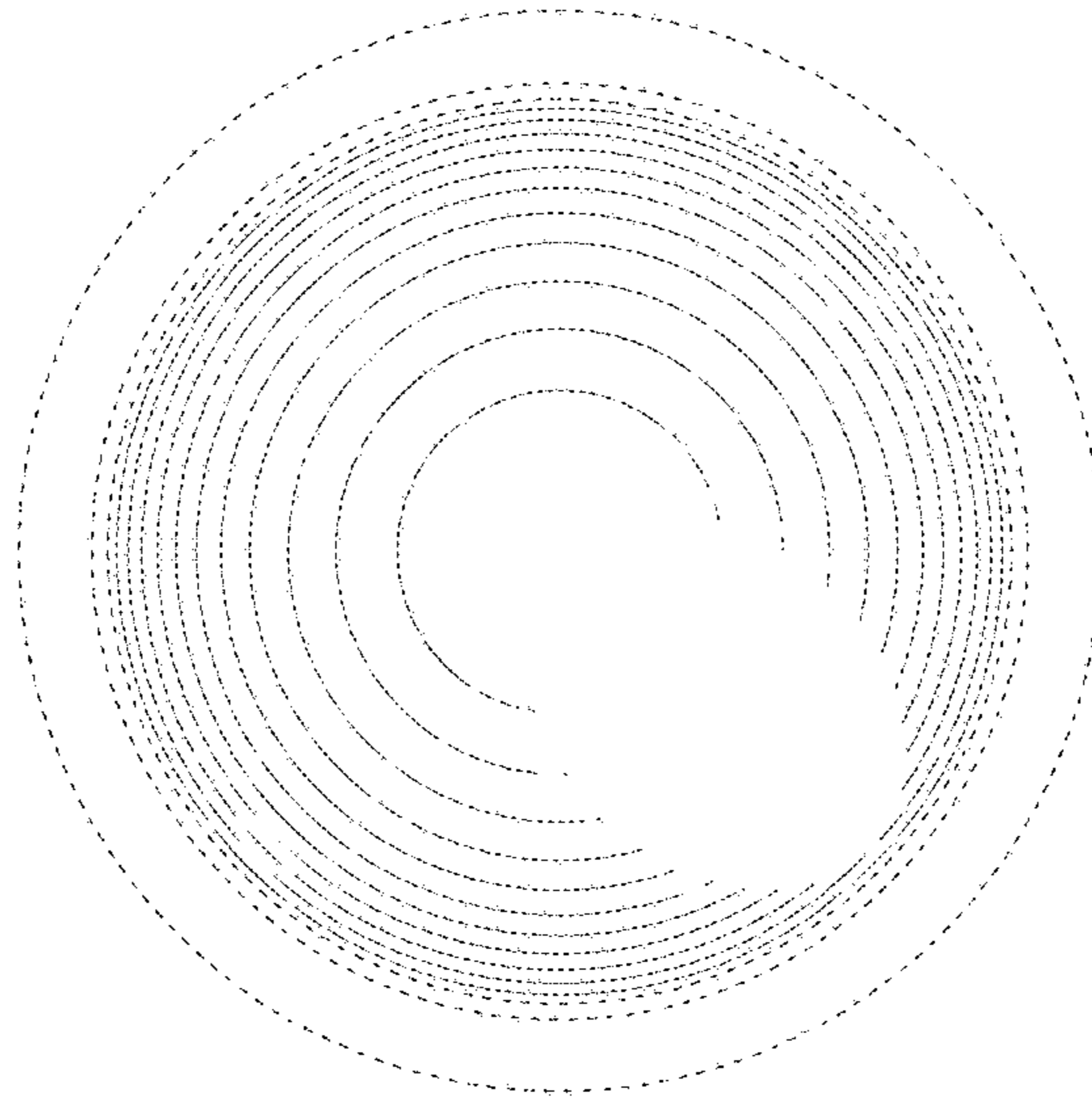
7,871,651 B2 *	1/2011	Sinichko	A23G 1/505 220/4.01
D651,865 S *	1/2012	Smyers	D7/584
D660,451 S *	5/2012	Matsuura	B65B 11/50 D24/216
D680,439 S *	4/2013	Reetz	D9/643
D695,615 S *	12/2013	Rapparini	B65D 75/32 D9/428
D730,192 S *	5/2015	Zwettler	D9/428
D734,665 S *	7/2015	Cahen	D9/428
D755,637 S *	5/2016	Wetton	A23G 9/503 D9/428
D789,138 S *	6/2017	LeCheminant	D7/354
D795,688 S *	8/2017	Buck	D9/428
D815,925 S *	4/2018	Rapparini	D9/500
D825,530 S *	8/2018	Chyzhov	D14/216
D826,053 S *	8/2018	Schaling	B65D 11/02 D9/503

* cited by examiner

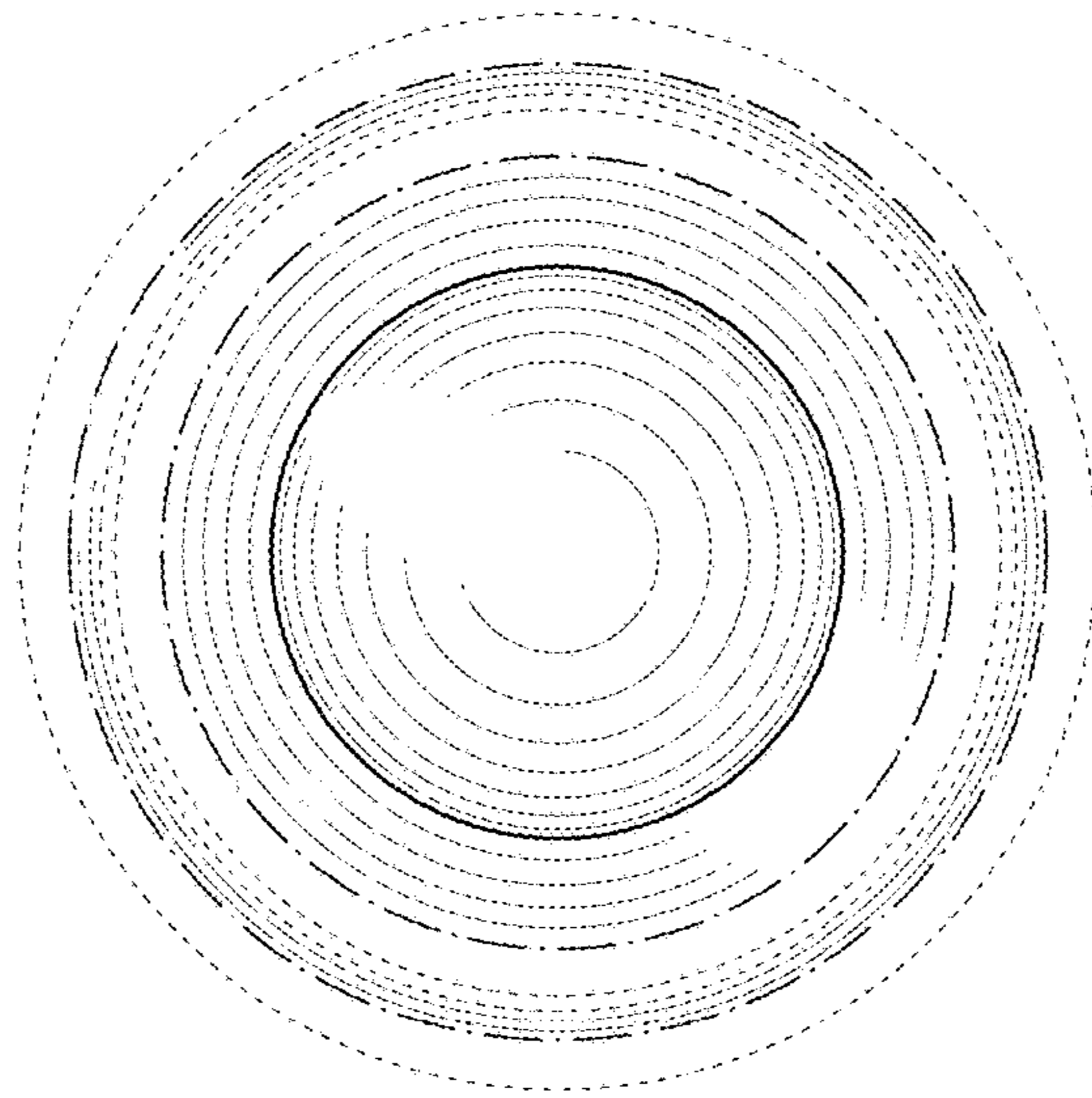


1.1

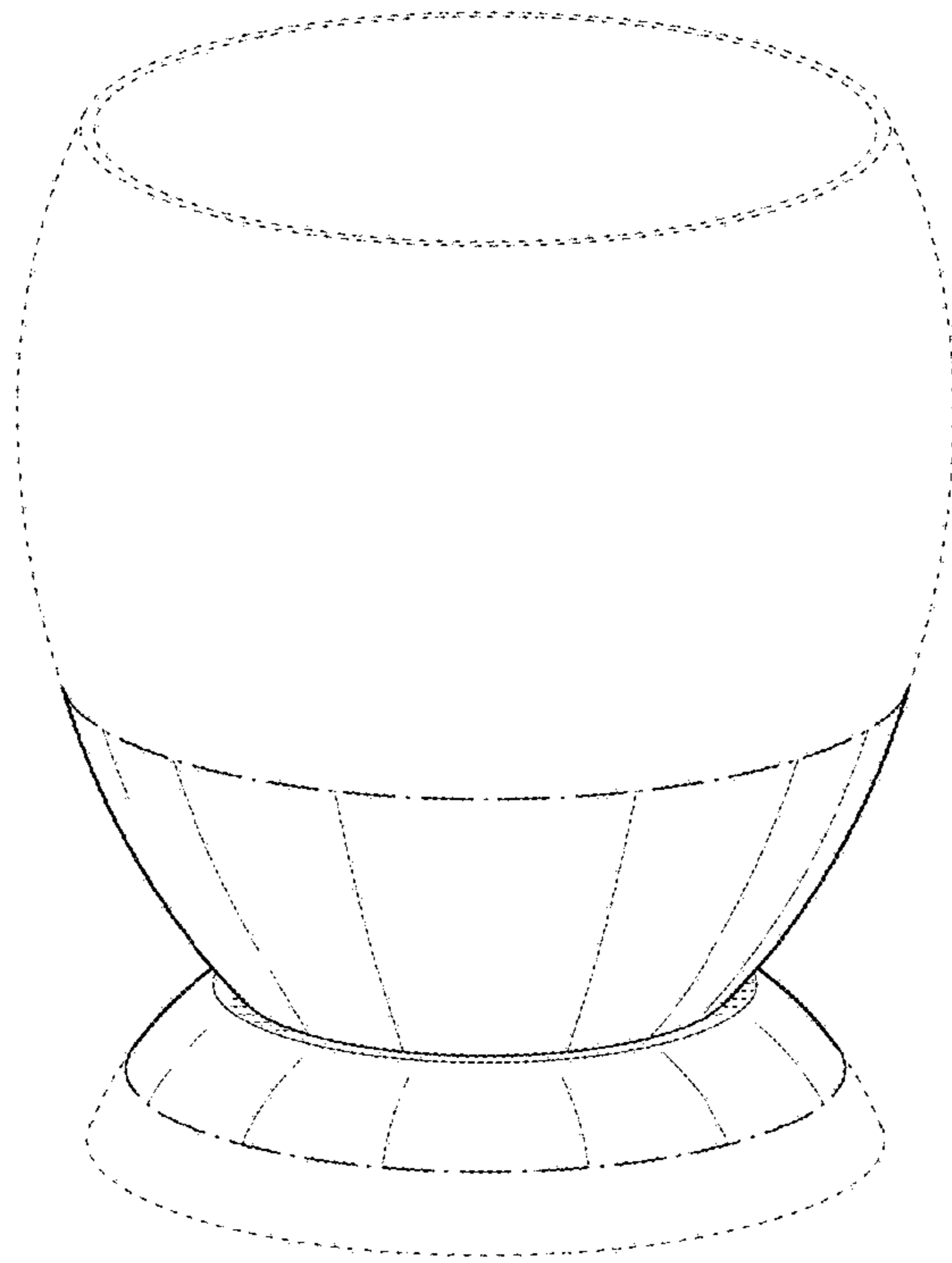




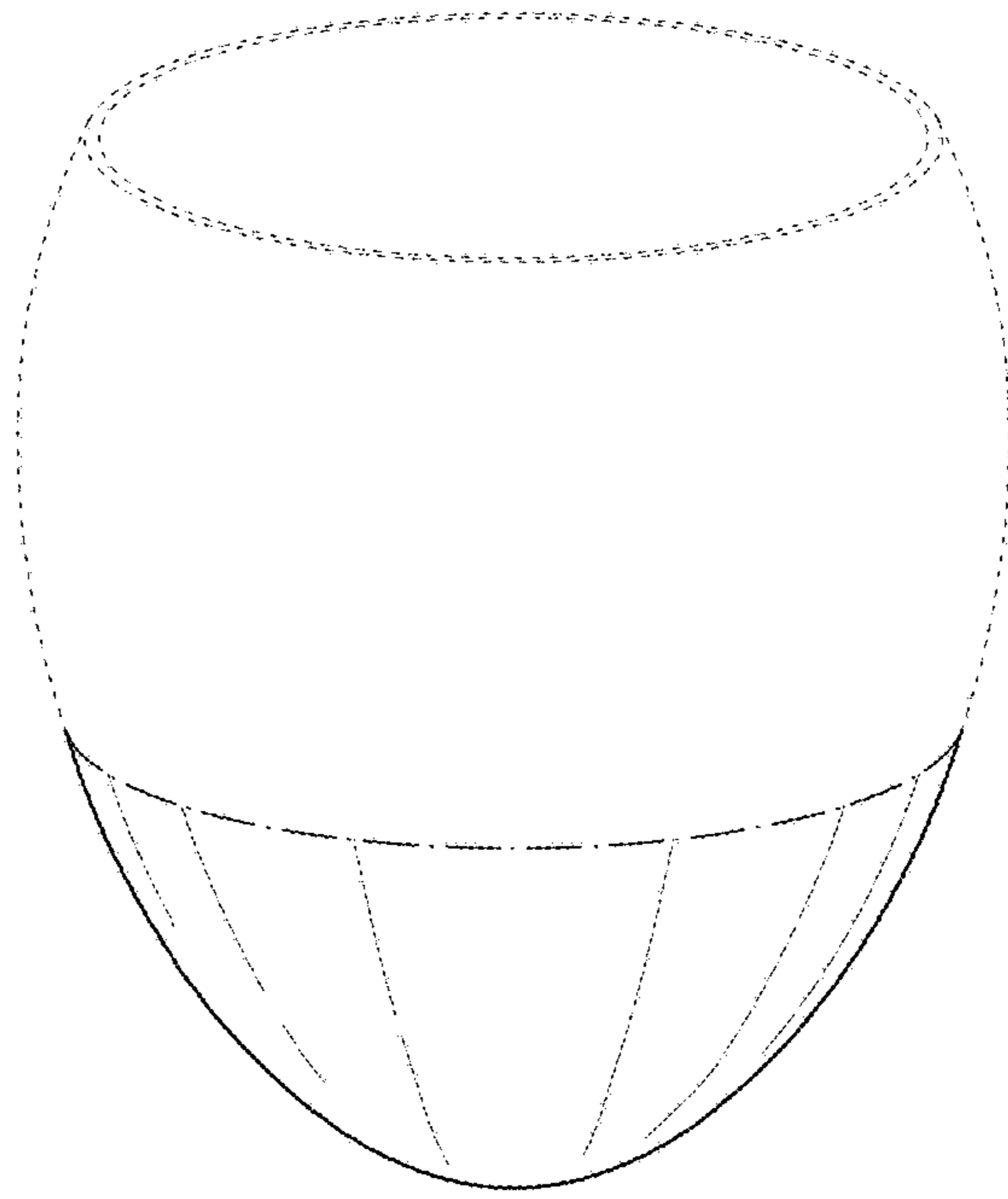
1.3



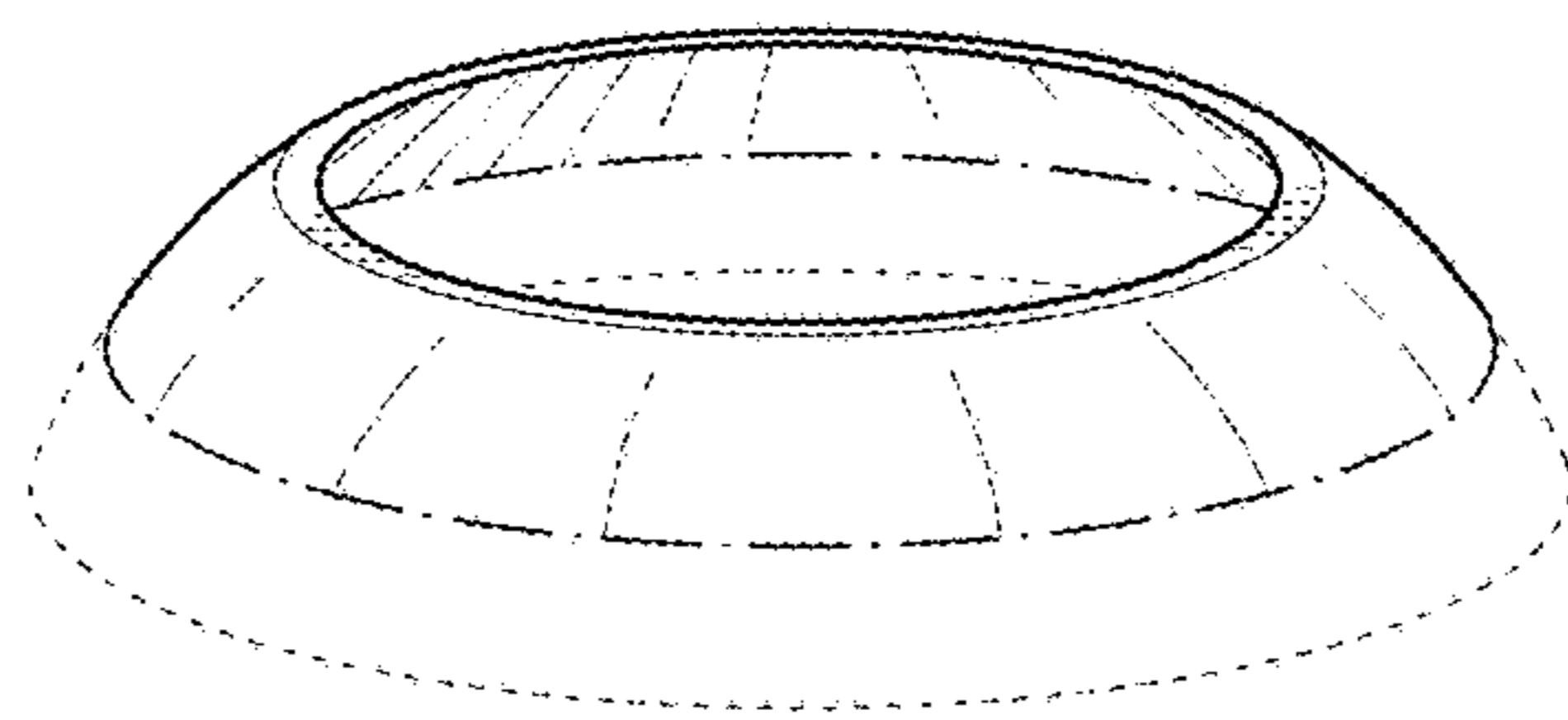
1.4



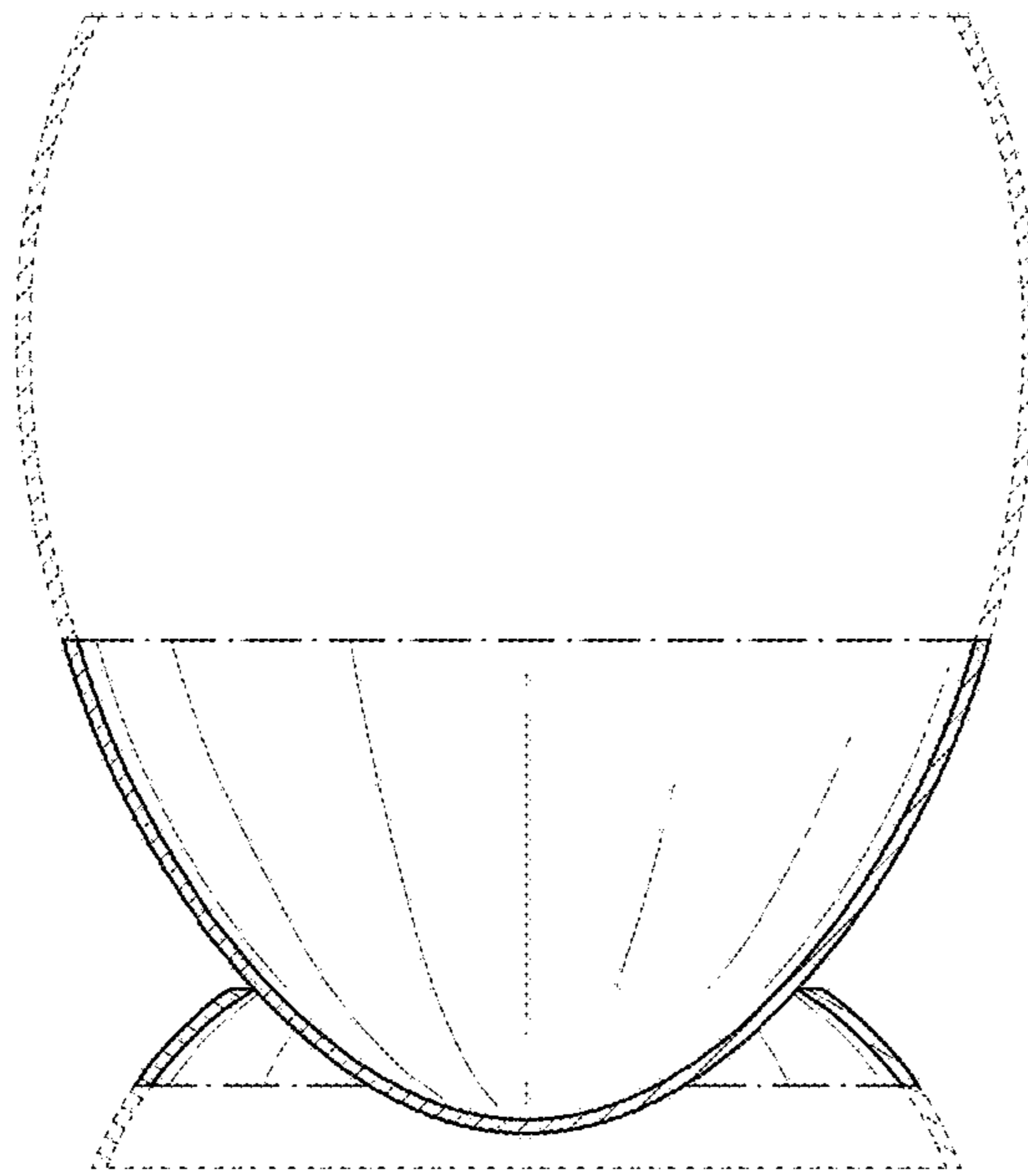
1.5



1.6



1.7



1.8