



US00D853229S

(12) **United States Design Patent** (10) **Patent No.:** **US D853,229 S**
Lebeau (45) **Date of Patent:** **** Jul. 9, 2019**

(54) **CONTAINER**
(71) Applicant: **BIP FLORAL INC., Montreal (CA)**
(72) Inventor: **France Lebeau, Montreal (CA)**
(73) Assignee: **BIP FLORAL INC., Montreal (CA)**
(**) Term: **15 Years**
(21) Appl. No.: **29/634,112**
(22) Filed: **Jan. 18, 2018**
(51) **LOC (11) Cl.** **09-03**
(52) **U.S. Cl.**
USPC **D9/418**
(58) **Field of Classification Search**
USPC D9/414, 415, 418, 419, 431, 432, 737,
D9/756; D7/549, 550.1, 551.2, 553.1,
D7/553.3, 553.4, 554.1, 565
CPC ... B65D 1/22; B65D 1/34; B65D 5/00; B65D
5/061; B65D 5/18; B65D 5/20; B65D
5/42; B65D 5/72; B65D 5/4266; B65D
5/583; B65D 2501/247; B65D
2501/24687; B65D 2501/24694; B65D
21/0213; B65D 2571/00543; B65D
585/00; B65D 585/321; B65D 585/322;
B65D 585/327; B65D 581/3813; B65D
581/3818; B65D 581/3825
See application file for complete search history.

(56) **References Cited**
U.S. PATENT DOCUMENTS
2,242,741 A * 5/1941 Betts B65D 5/00
229/113
2,997,196 A * 8/1961 Emery B65D 85/322
206/519
3,308,983 A * 3/1967 Morgan B65D 21/0213
220/516

4,529,088 A * 7/1985 Quong B65D 85/34
206/509
D297,914 S * 10/1988 Goodman D9/415
D305,205 S * 12/1989 Grindrod D9/418
D321,074 S * 10/1991 Eby D3/313
D364,343 S * 11/1995 Mello D9/415
D378,894 S * 4/1997 Mello D9/415
D384,883 S * 10/1997 Wood D9/418
D433,627 S * 11/2000 Vasudeva D9/415
D515,941 S * 2/2006 Hamblin D24/230
D661,601 S * 6/2012 Sanfilippo D9/737
D673,864 S * 1/2013 Read D9/414
D723,391 S * 3/2015 Snedden D9/425
D727,732 S * 4/2015 Petty D9/415
D728,383 S * 5/2015 Sifuentes D9/425
D734,075 S * 7/2015 Tapper D6/672
D734,076 S * 7/2015 Tapper D6/672
D751,401 S * 3/2016 Kuo D9/432
D758,191 S * 6/2016 Tu D9/414
D763,683 S * 8/2016 O'Neill D9/432
D792,785 S * 7/2017 Fife D9/425

(Continued)

Primary Examiner — Wan Laymon
Assistant Examiner — Clint A Samuel
(74) *Attorney, Agent, or Firm* — IP Delta Plus Inc.

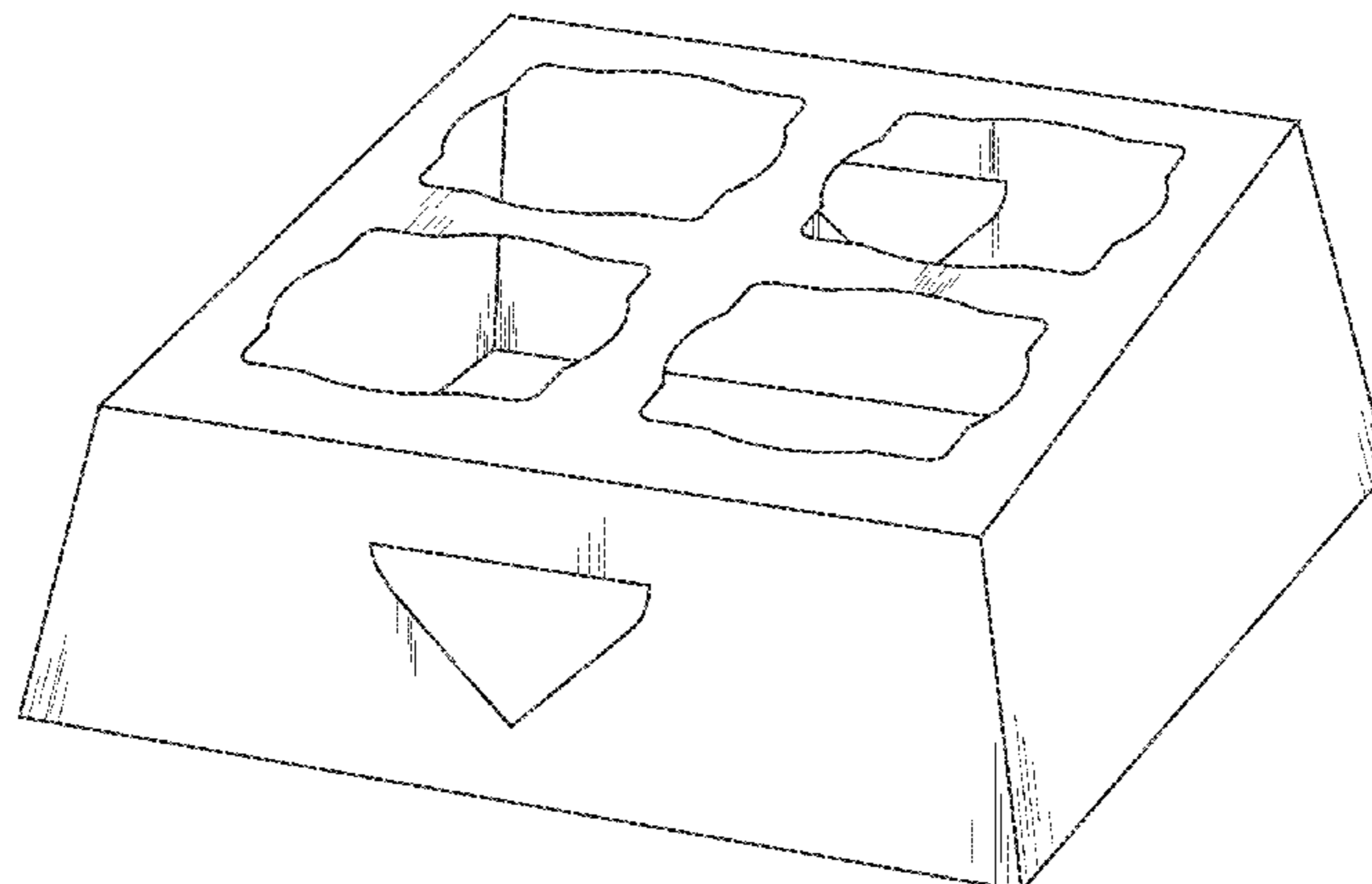
(57) **CLAIM**

The ornamental design for a container, as shown and described.

DESCRIPTION

FIG. 1 is a top and side perspective view of the container;
FIG. 2 is top plan view of the container;
FIG. 3 is a back side elevation view of the container;
FIG. 4 is a side elevation view of the container;
FIG. 5 is a top and side perspective view of the container;
FIG. 6 is top plan view of the container;
FIG. 7 is a back side elevation view of the container; and,
FIG. 8 is side elevation view of the container with six openings.

1 Claim, 8 Drawing Sheets



(56)

References Cited

U.S. PATENT DOCUMENTS

D817,783 S * 5/2018 Chang D9/756
D819,441 S * 6/2018 Doster D9/432
D820,690 S * 6/2018 Canuto D9/757
10,029,824 B2 * 7/2018 Meers B65D 21/0233
D826,069 S * 8/2018 O'Neill B65D 77/0413
D9/737
D826,734 S * 8/2018 O'Neill B65D 77/0413
D9/737
D828,768 S * 9/2018 Lebeau D9/737
D828,769 S * 9/2018 Lebeau D9/737
2007/0108089 A1 * 5/2007 Galluch A21B 3/132
206/558
2007/0132349 A1 * 6/2007 Arslankiray B65D 85/322
312/408
2008/0314771 A1 * 12/2008 Barbalho B65D 1/36
206/203

* cited by examiner

FIG. 1

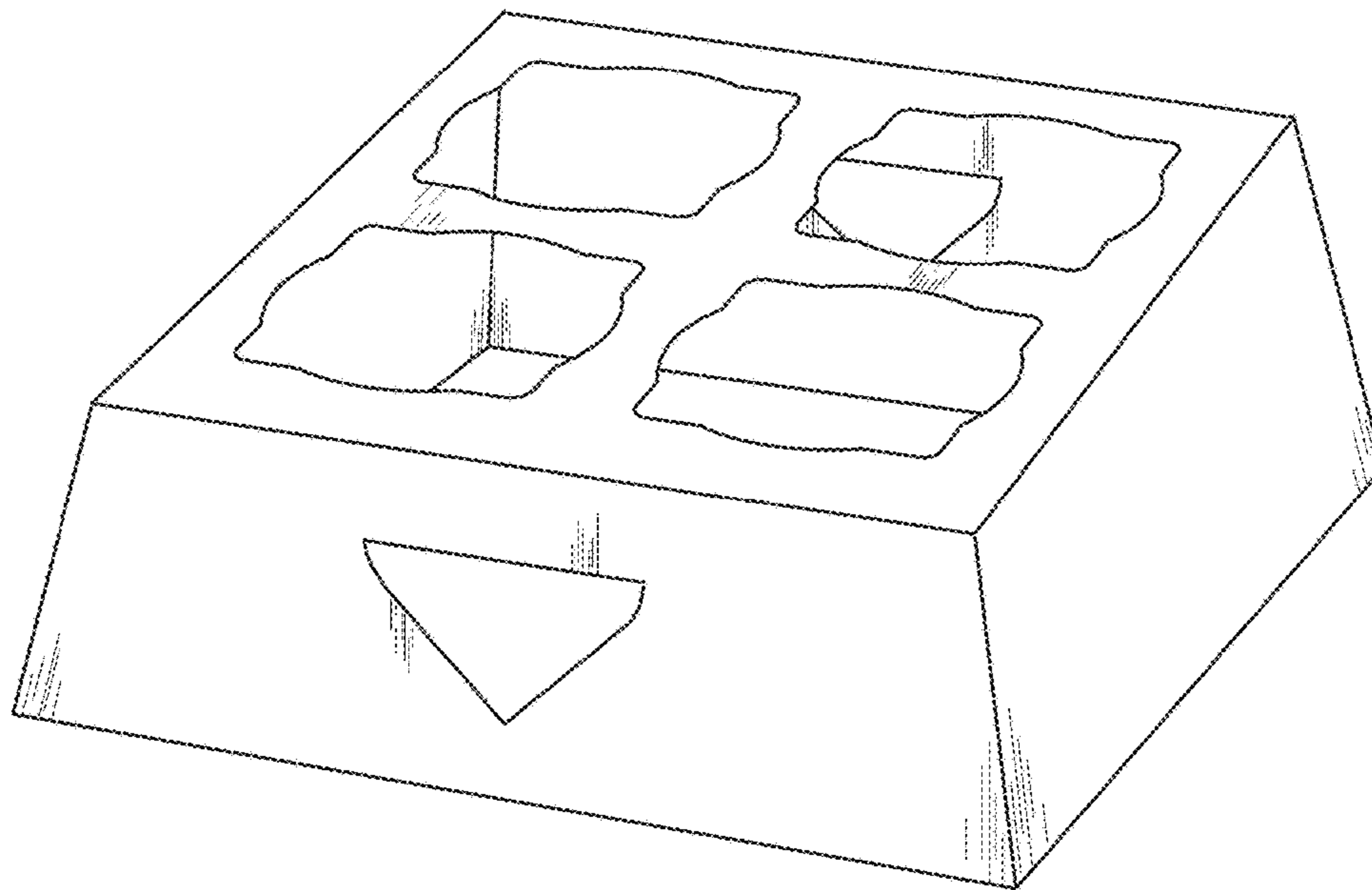


FIG. 2

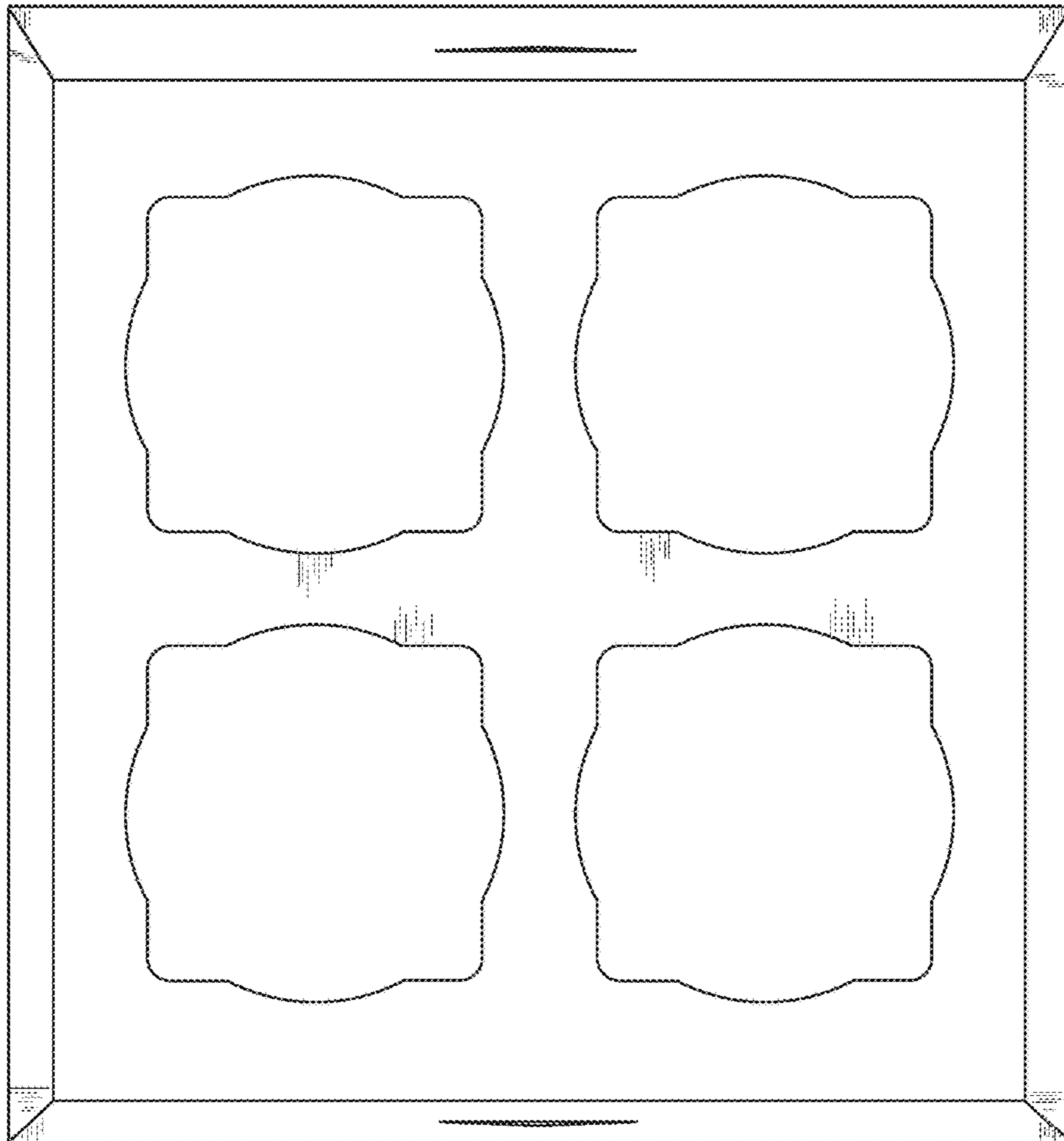


FIG. 3

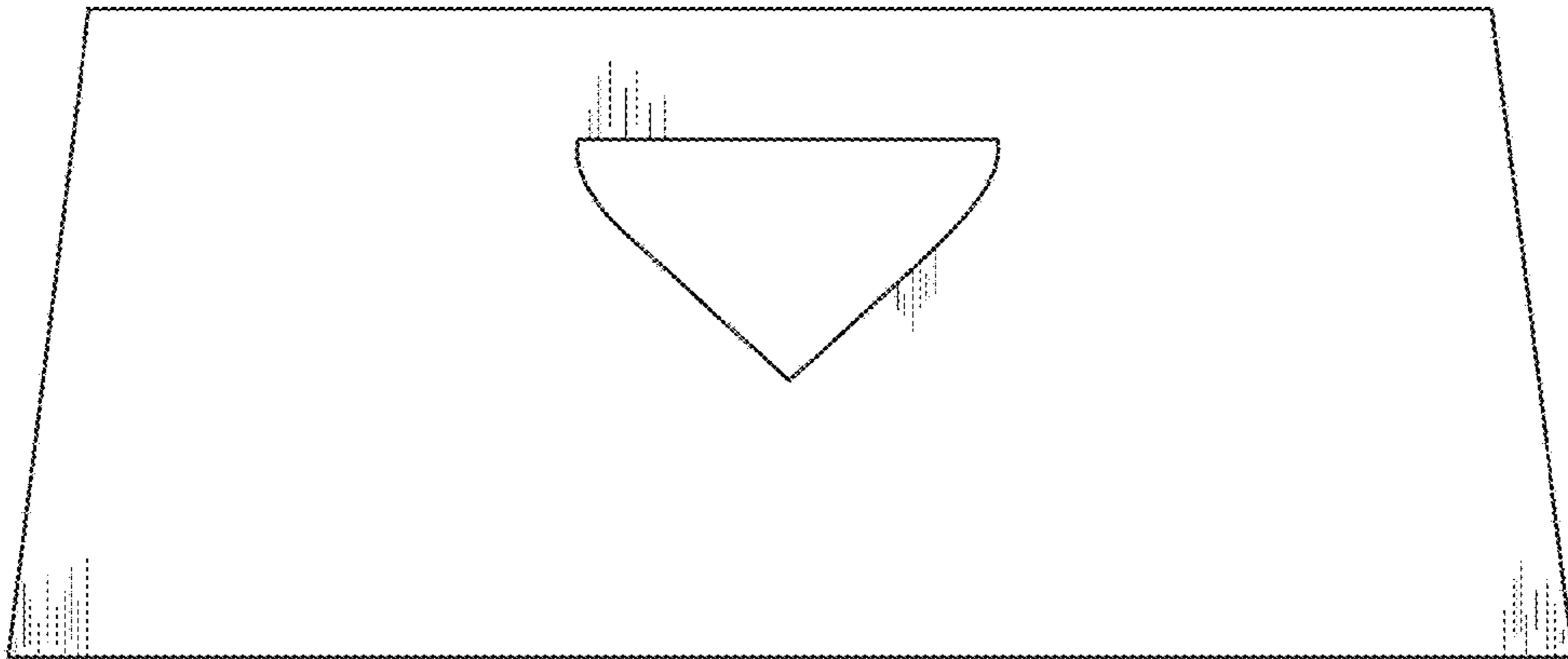


FIG. 4

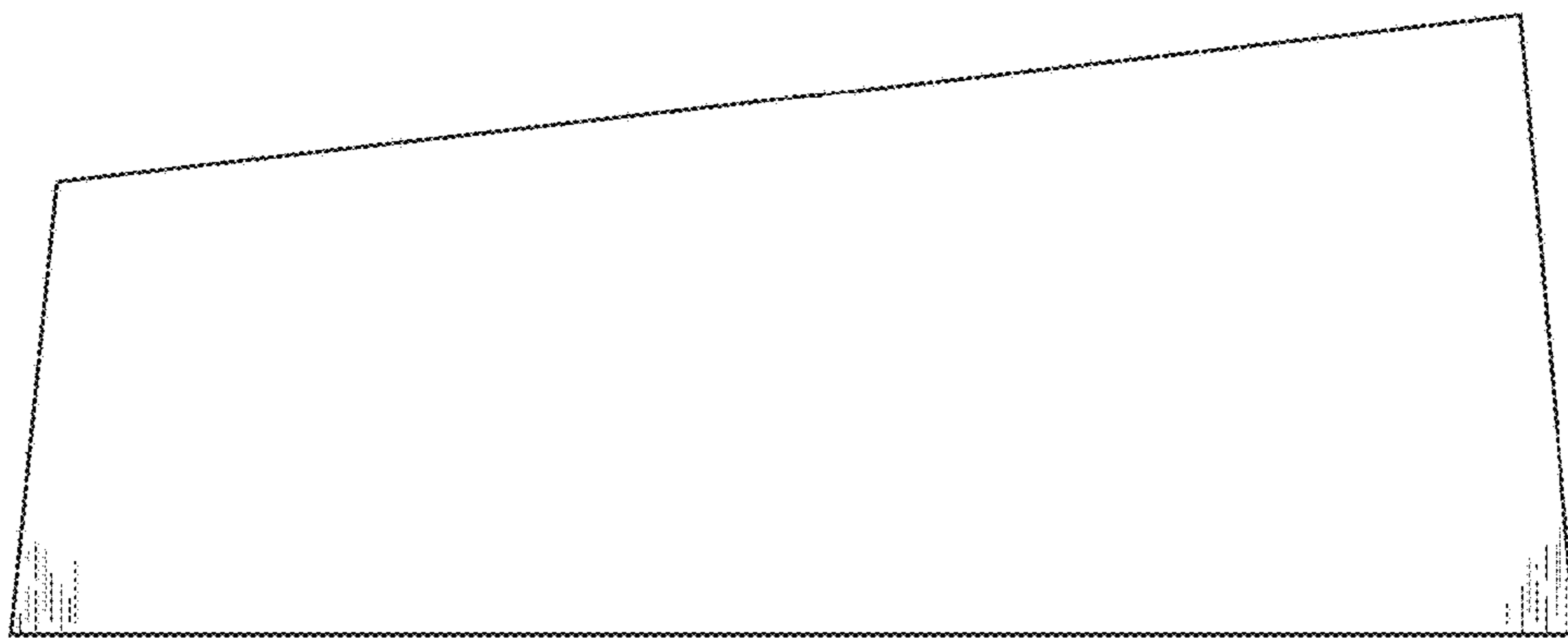


FIG. 5

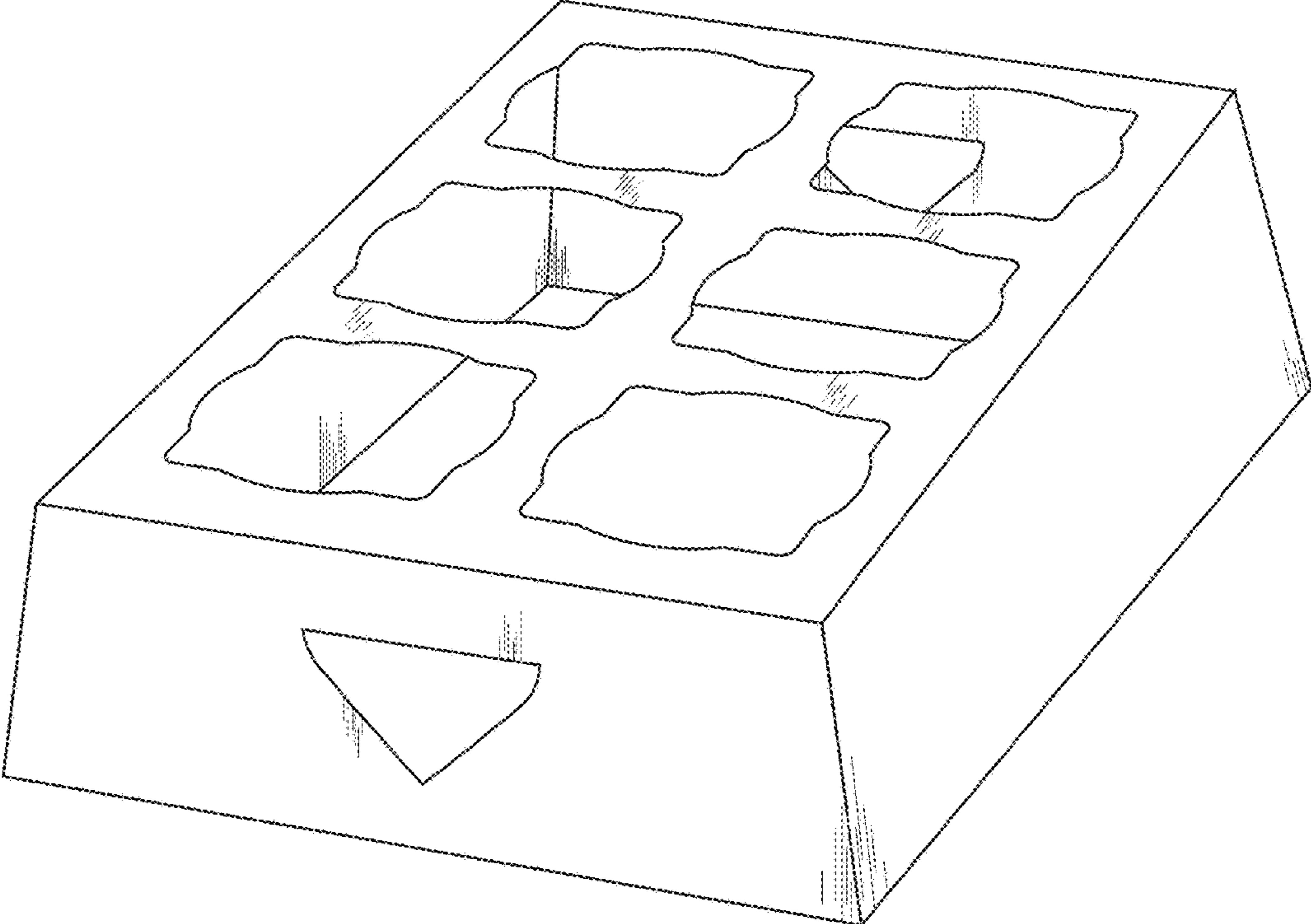


FIG. 6

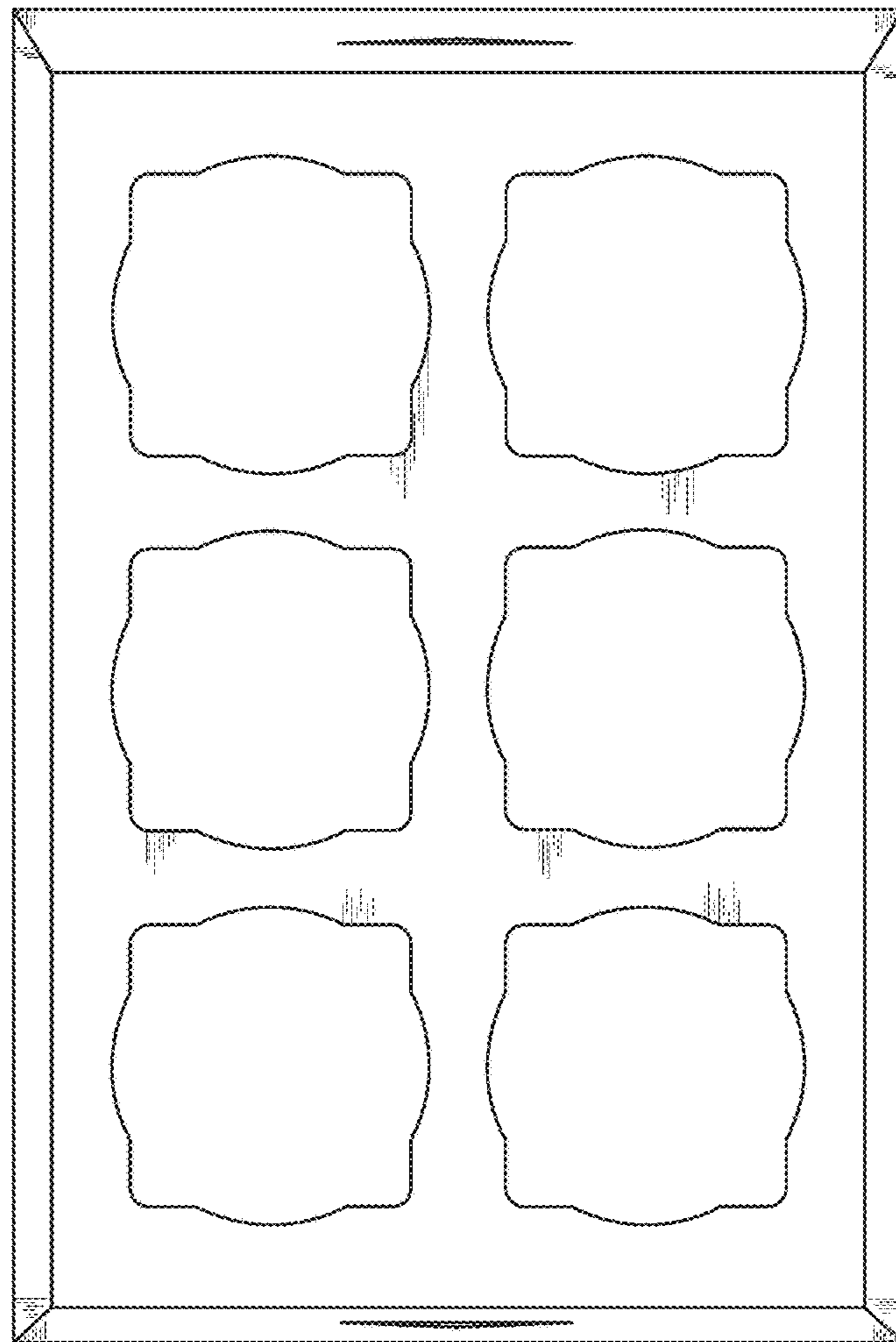


FIG. 7

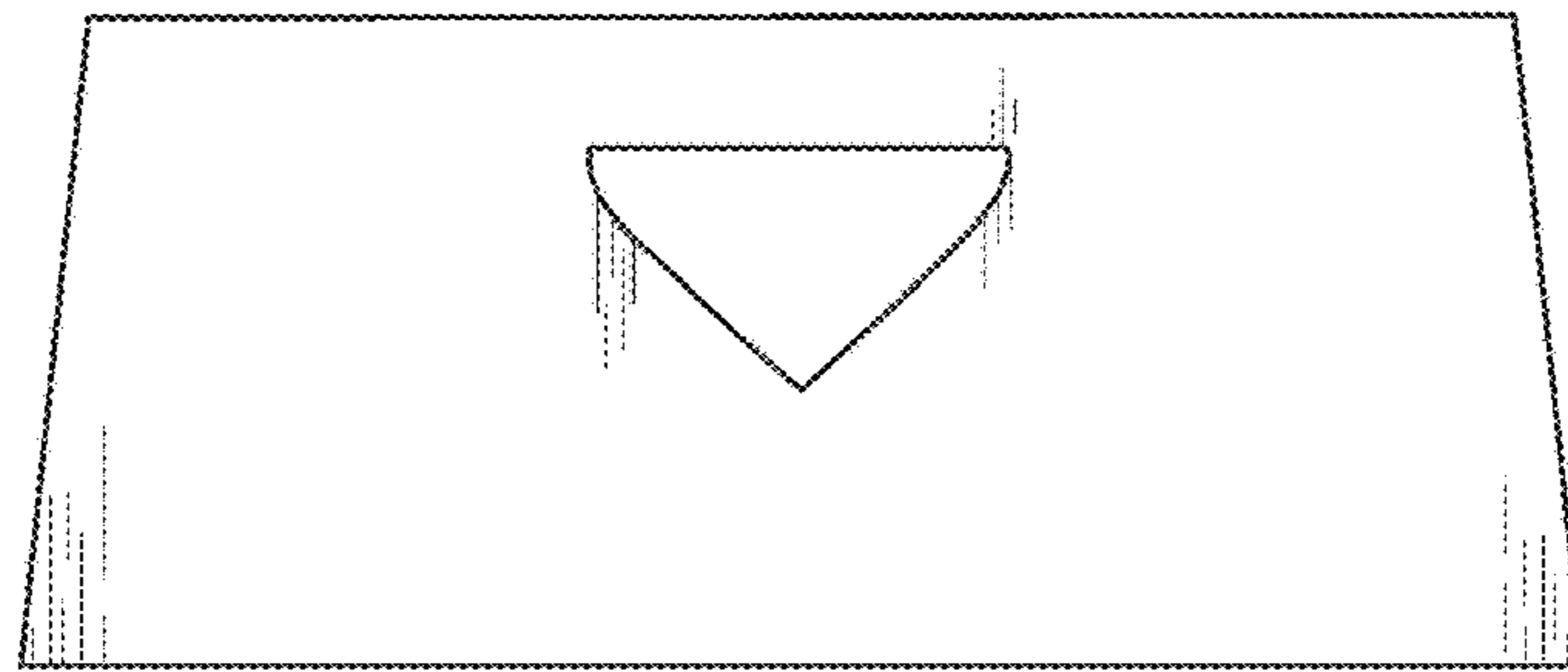


FIG. 8

