



US00D853228S

(12) **United States Design Patent**
Han et al.

(10) **Patent No.:** **US D853,228 S**
(45) **Date of Patent:** **** Jul. 9, 2019**

- (54) **PRODUCT PACKAGE WITH ASYMMETRICAL SHAPE**
- (71) Applicant: **Adagio Teas, Inc.**, Elmwood Park, NJ (US)
- (72) Inventors: **Allen M. Han**, Mountain View, CA (US); **Yen Shan Chen**, Taichung (TW)
- (**) Term: **15 Years**
- (21) Appl. No.: **29/599,815**
- (22) Filed: **Apr. 6, 2017**
- (51) **LOC (11) Cl.** **09-03**
- (52) **U.S. Cl.**
USPC **D9/418**
- (58) **Field of Classification Search**
USPC D9/418, 414-417, 429, 428, 425;
D7/545, 602, 629
CPC B65D 1/26; B65D 1/30; B32B 7/12
See application file for complete search history.

- D595,081 S 6/2009 Tan
- D628,007 S 11/2010 Di Bitonto et al.
- D688,904 S 9/2013 Chan
- D690,198 S * 9/2013 Haracourt D7/602
- D693,165 S 11/2013 Averty
- D699,567 S * 2/2014 De Pra D9/425
- D700,838 S * 3/2014 Oommen D9/425
- D701,071 S 3/2014 Büttler
- D712,188 S 9/2014 Averty
- D719,391 S 12/2014 De Pra
- D719,392 S 12/2014 De Pra
- D719,393 S 12/2014 De Pra
- D721,911 S 2/2015 Cauwood et al.
- D726,483 S 4/2015 Lin
- 8,997,992 B2 4/2015 Van Puijenbroek
- D728,988 S 5/2015 Warburton
- D739,169 S 9/2015 Shao et al.
- D739,230 S * 9/2015 Kervazo D9/425
- 9,161,658 B2 10/2015 Clark et al.
- D742,159 S 11/2015 Doria et al.

(Continued)

Primary Examiner — Rhea Shields
(74) *Attorney, Agent, or Firm* — Matthew M. Googe;
Robinson IP Law, PLLC

(56) **References Cited**

U.S. PATENT DOCUMENTS

- 3,407,969 A 10/1968 Klein et al.
- D243,737 S 3/1977 Painter
- 4,337,116 A 6/1982 Foster et al.
- 4,859,337 A 8/1989 Woltermann
- 4,875,620 A * 10/1989 Lane, Sr. B65D 1/26
229/404
- D369,971 S * 5/1996 Brauner D9/428
- 5,782,376 A * 7/1998 Brauner B65D 1/30
220/669
- D408,208 S 4/1999 Hsu
- D499,926 S 12/2004 Cahen
- D512,606 S * 12/2005 Lown D7/629
- D512,631 S * 12/2005 Lhoste D7/545
- D545,608 S 7/2007 Picozza et al.
- D573,392 S 7/2008 Smith
- D589,291 S 3/2009 Jerstroem et al.

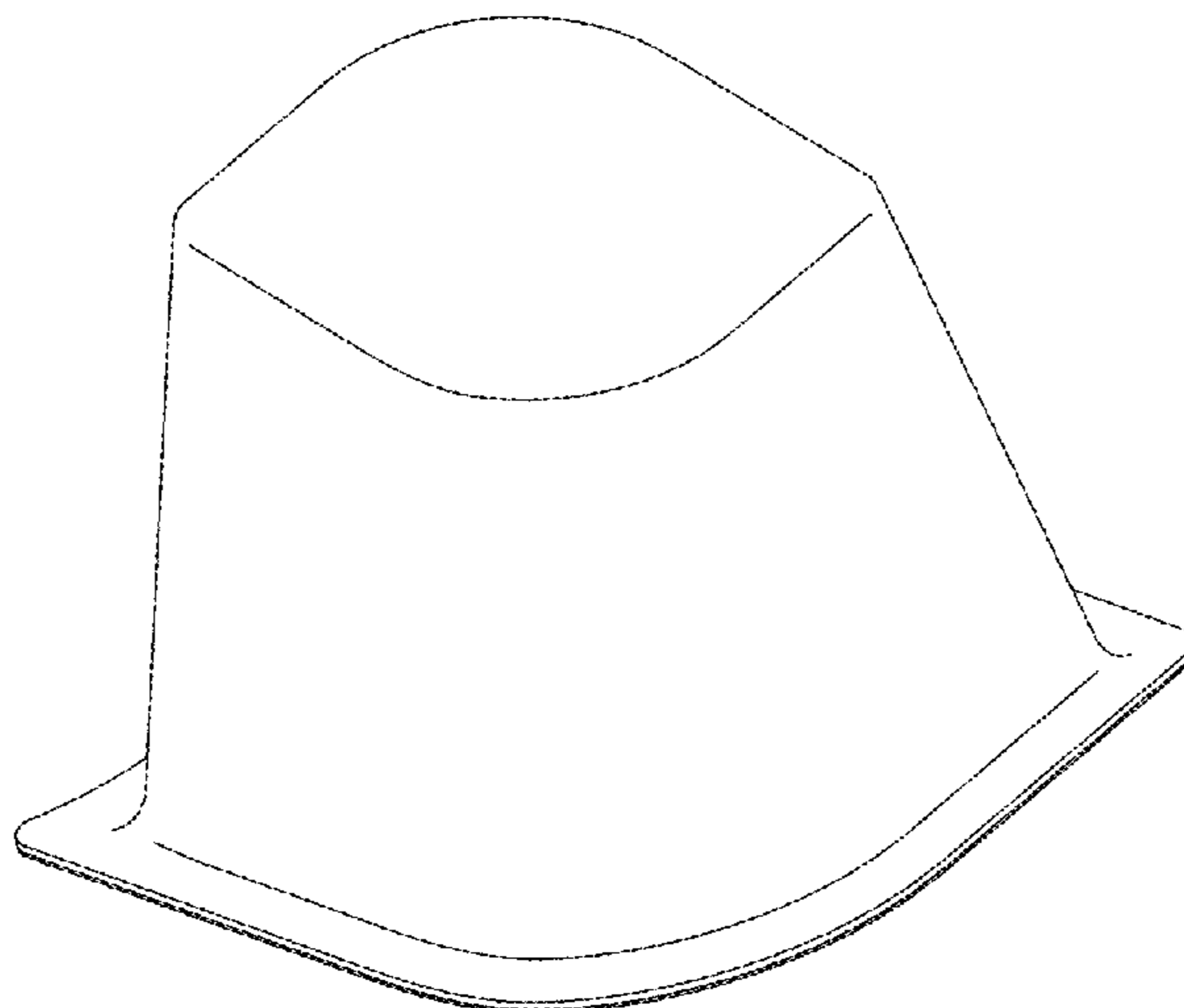
(57) **CLAIM**

The ornamental design for a product package with asymmetrical shape, as shown and described.

DESCRIPTION

FIG. 1 is a front perspective view of our product package in accordance with an embodiment of the invention
FIG. 2 is a rear perspective view thereof;
FIG. 3 is a top view thereof;
FIG. 4 is a right side view thereof;
FIG. 5 is a left view thereof;
FIG. 6 is a front view thereof;
FIG. 7 is a rear view thereof; and,
FIG. 8 is a bottom view thereof.

1 Claim, 4 Drawing Sheets



(56)

References Cited

U.S. PATENT DOCUMENTS

D742,217	S	*	11/2015	Bouveret	D9/425
D766,079	S	*	9/2016	Shiffer	D9/428
D833,272	S	*	11/2018	Udomphol	D9/429
2003/0019871	A1		1/2003	Nance	
2003/0108714	A1	*	6/2003	Razeti	B32B 7/12 428/138
2005/0263524	A1		12/2005	Meynier	
2006/0057315	A1		3/2006	De Coninck	
2012/0251679	A1	*	10/2012	Ferry	B65D 1/26 426/130
2013/0004629	A1		1/2013	Clark et al.	
2015/0289712	A1		10/2015	Choi	

* cited by examiner

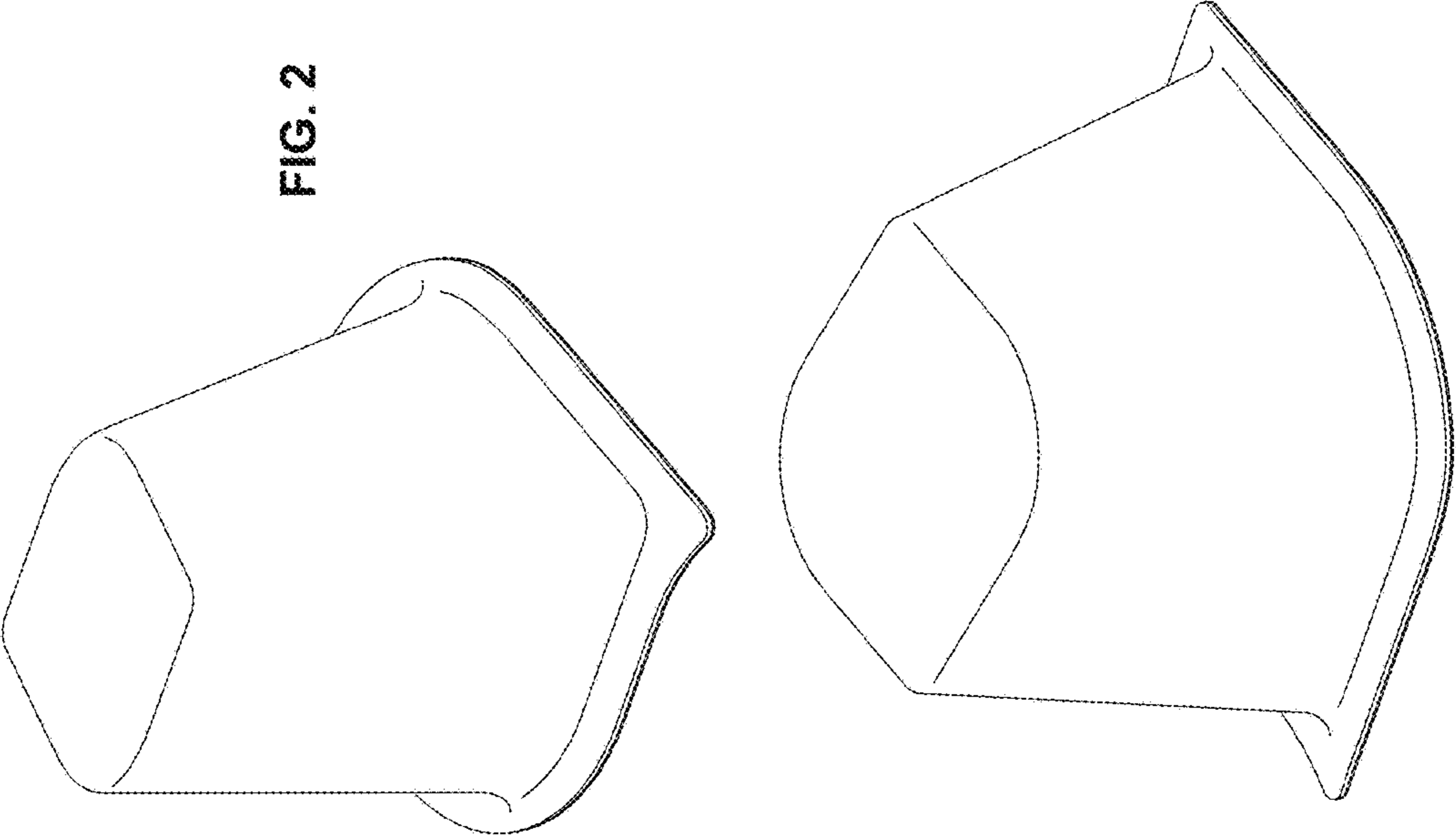


FIG. 2

FIG. 1

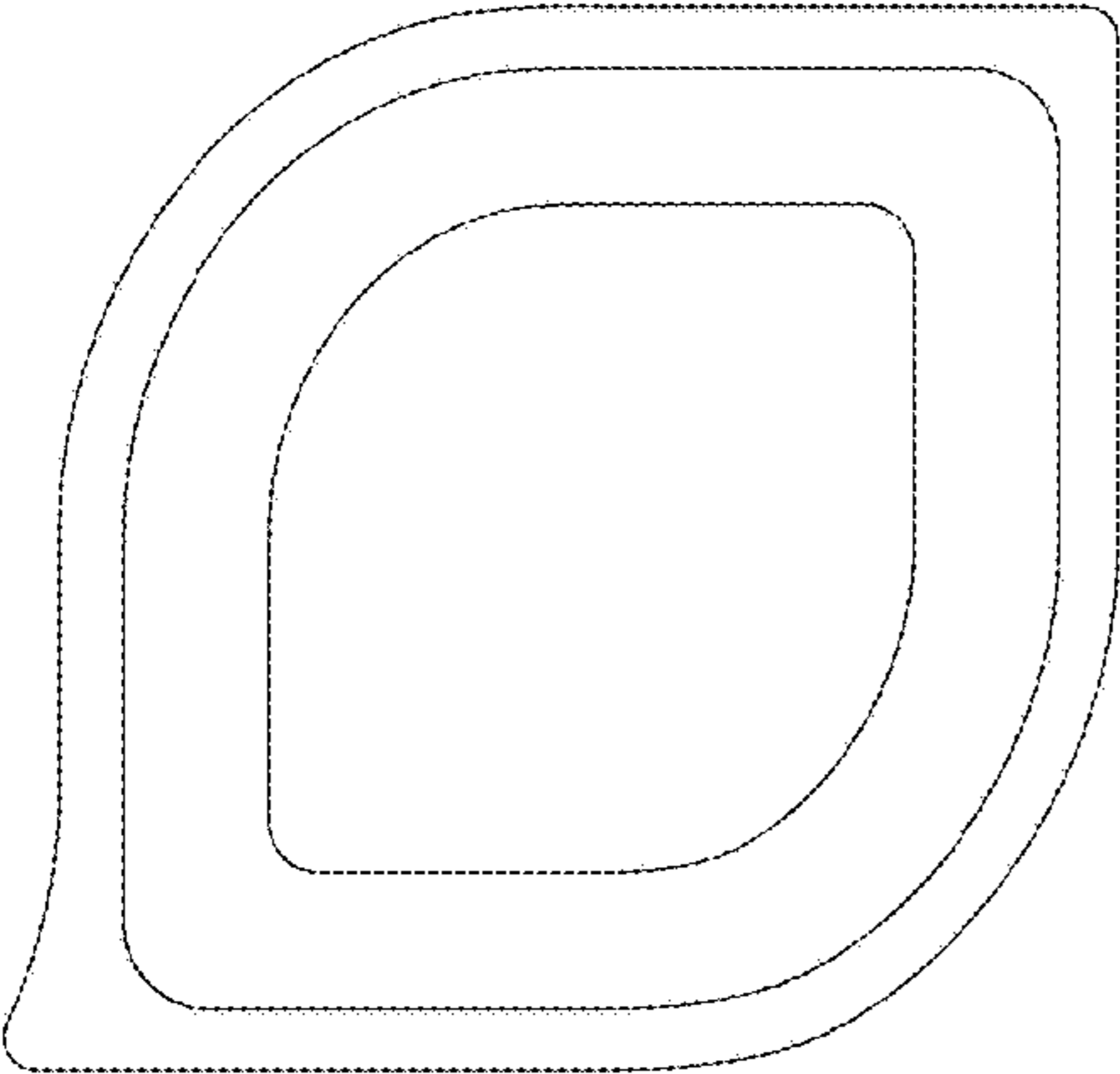


FIG. 3

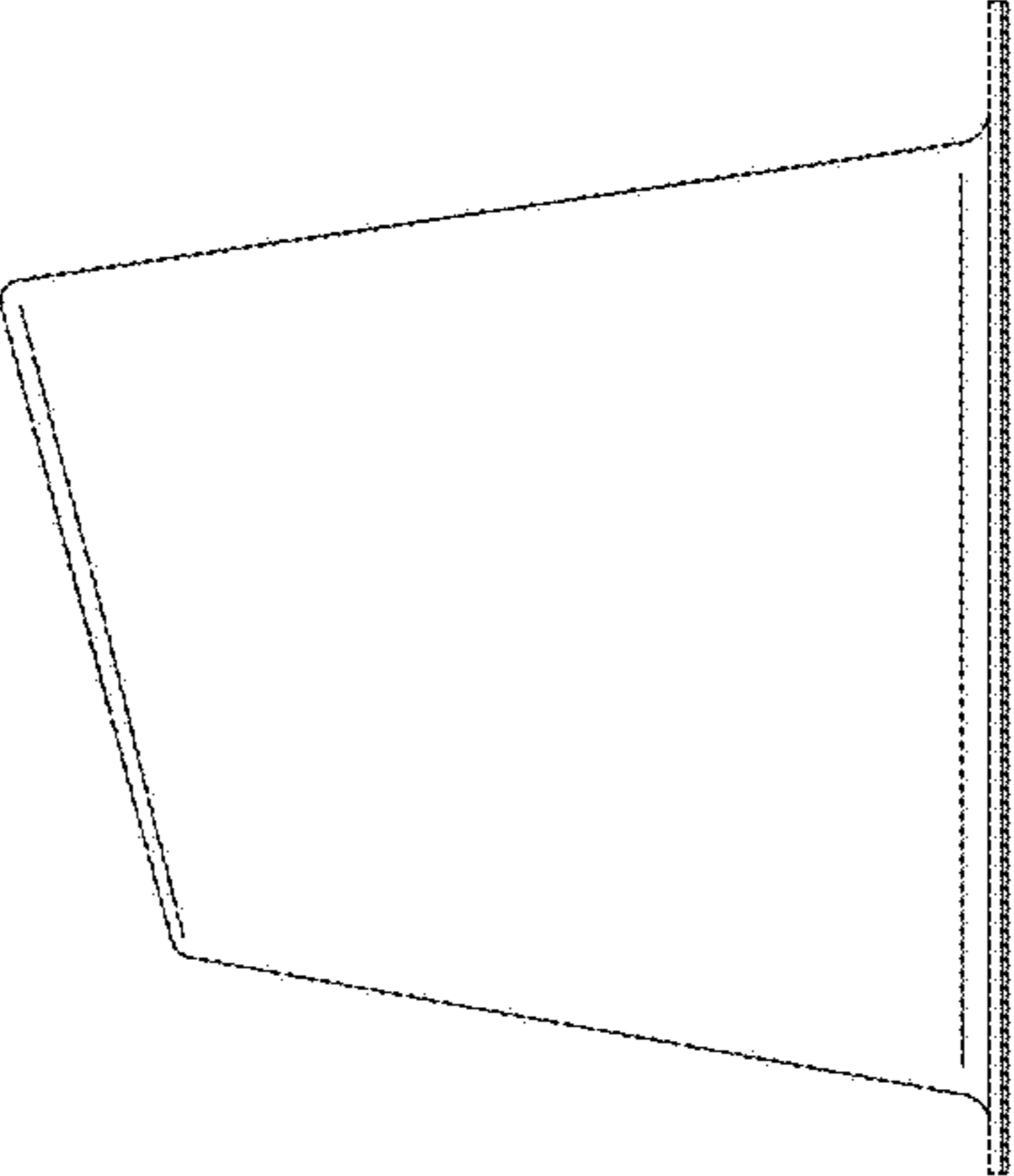


FIG. 4

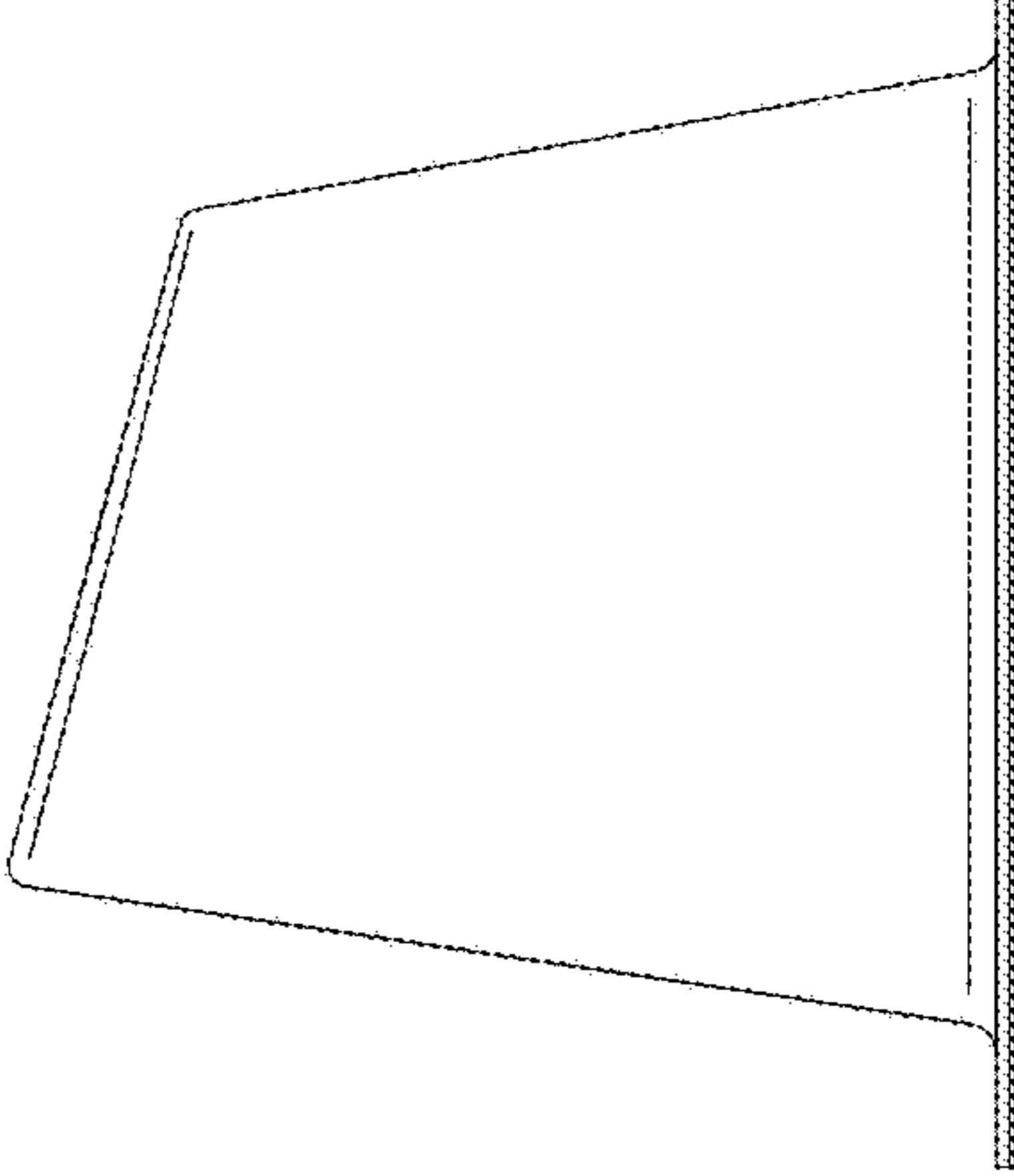


FIG. 5

FIG. 6

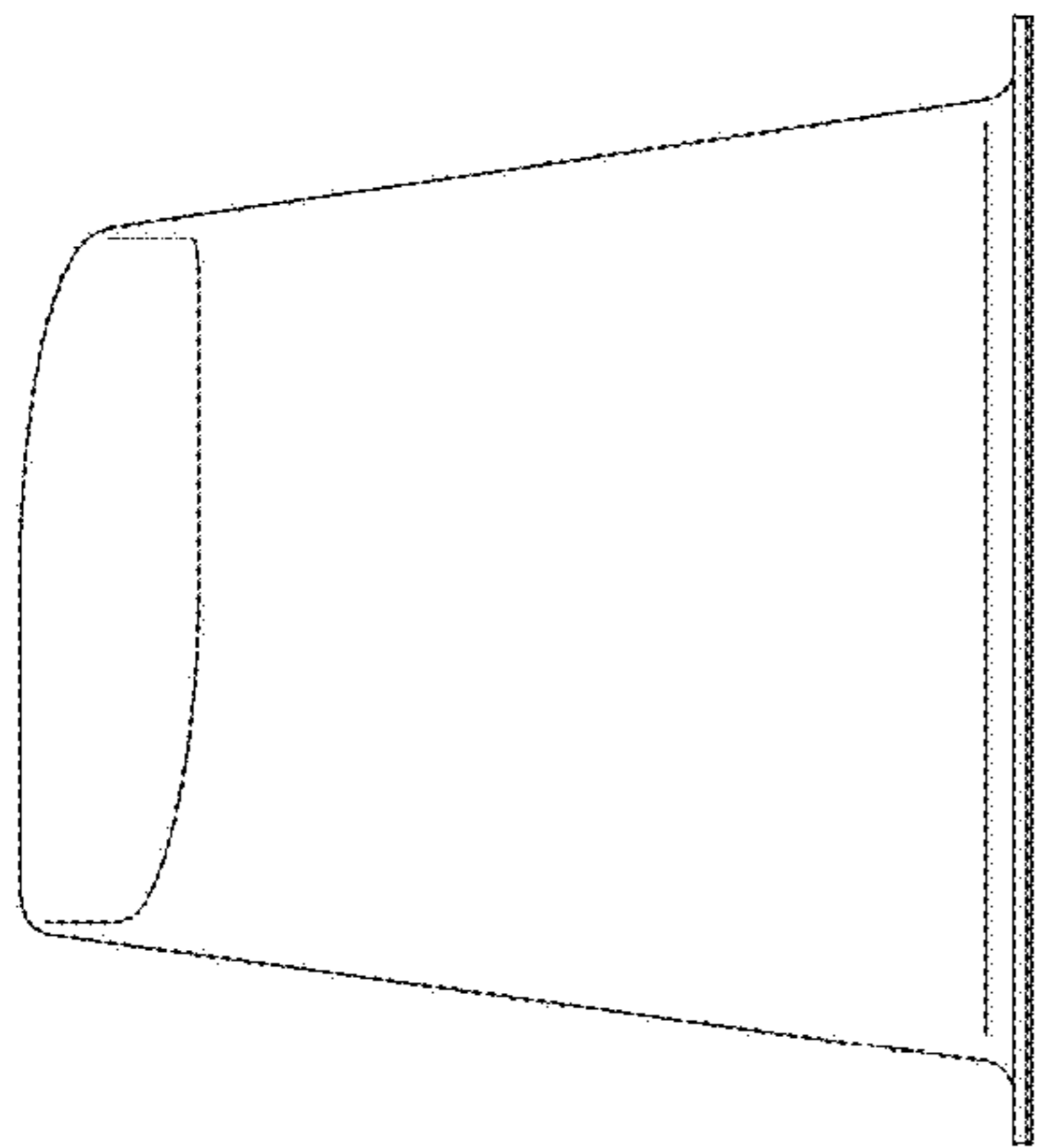
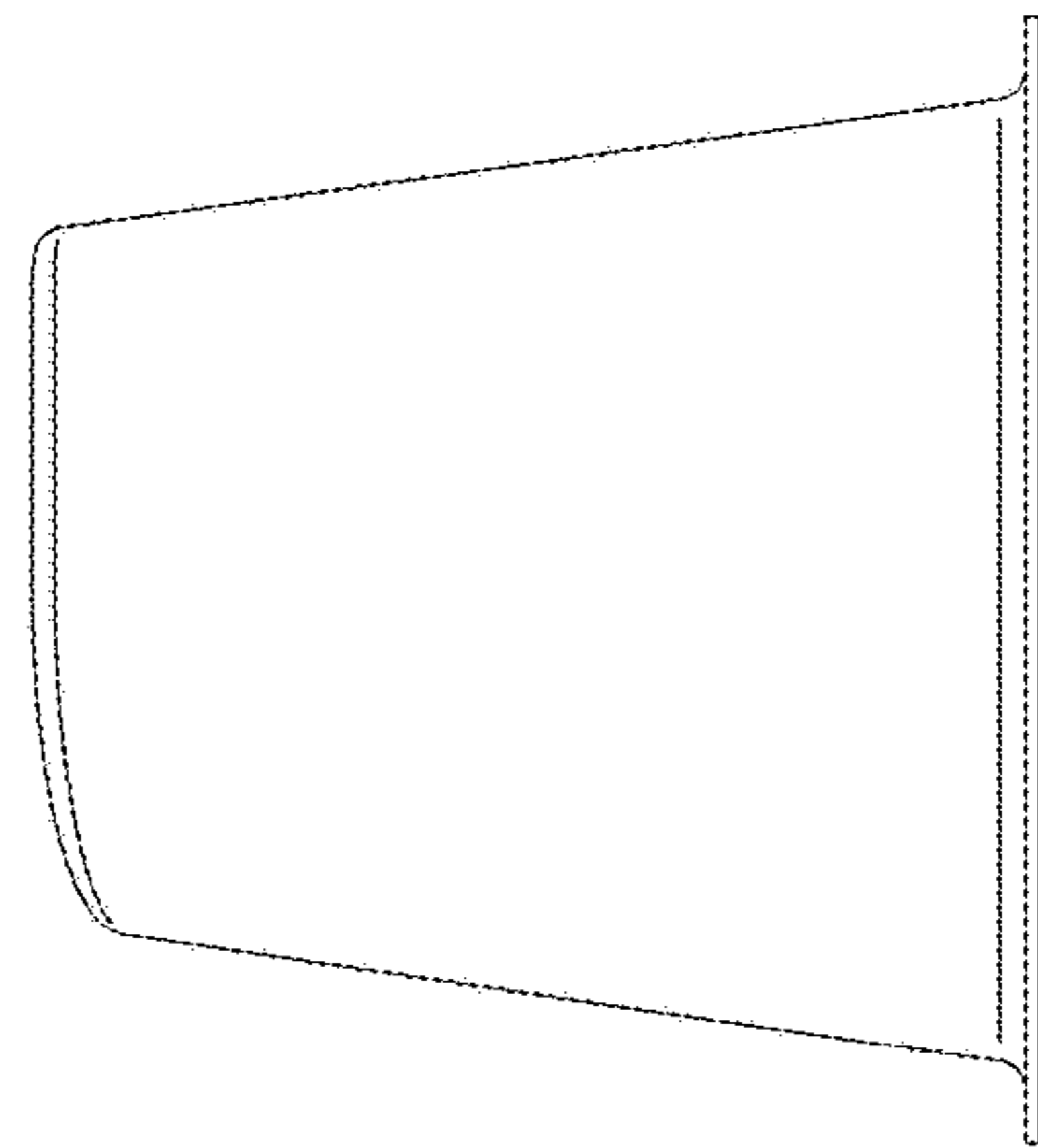


FIG. 7



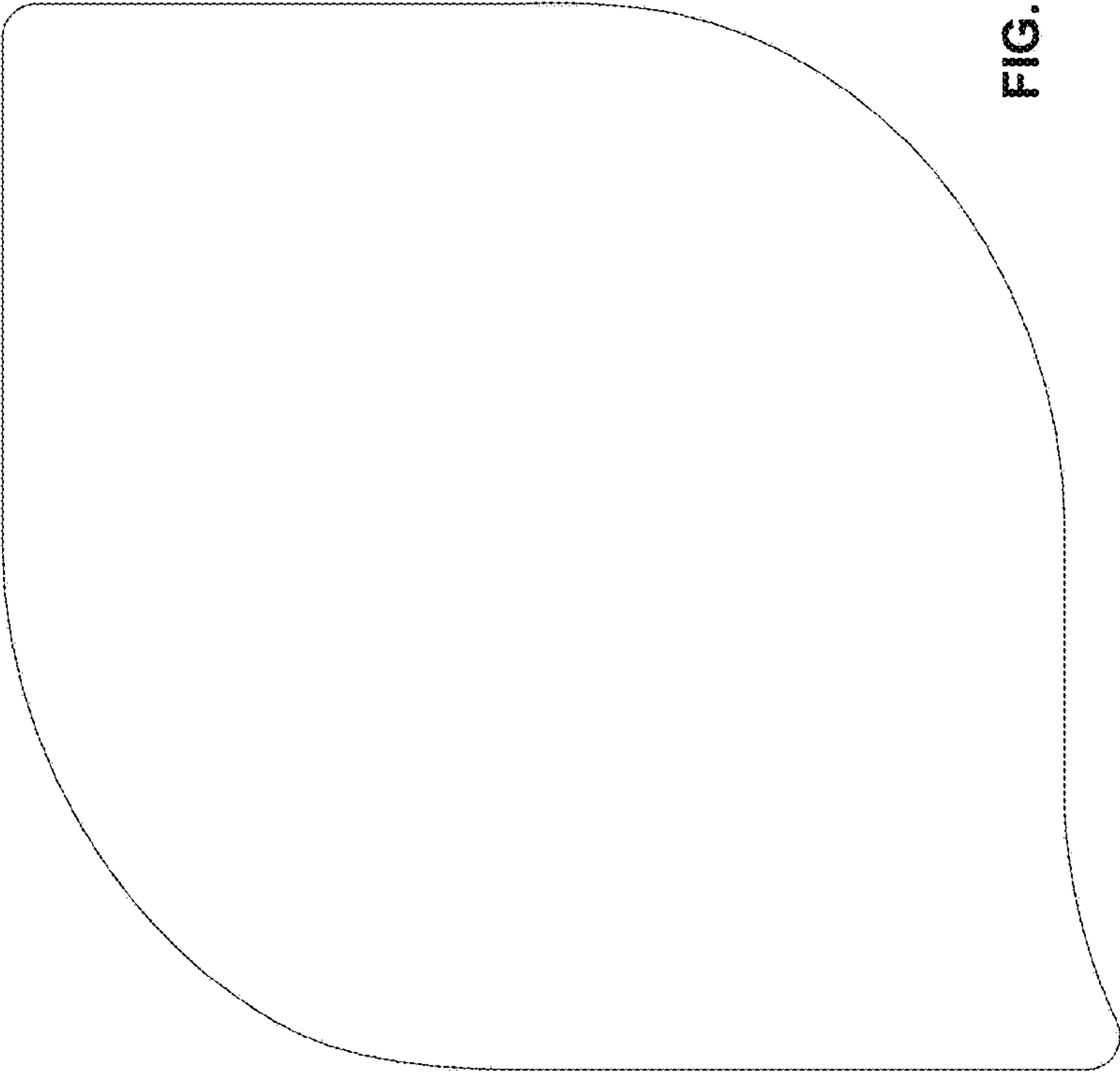


FIG. 8