



US00D853226S

(12) **United States Design Patent**
Geringer et al.

(10) **Patent No.:** **US D853,226 S**

(45) **Date of Patent:** **** Jul. 9, 2019**

(54) **CAPSULE STAND**

(71) Applicant: **EMD Millipore Corporation**,
Burlington, MA (US)

(72) Inventors: **Joseph Geringer**, Merrimack, NH
(US); **Stephen G. Hunt**, North
Billerica, MA (US); **Mikhail Kozlov**,
Lexington, MA (US); **Joseph Almasian**,
Westford, MA (US); **Gregory Straeffler**,
North Chelmsford, MA (US)

(73) Assignee: **EMD Millipore Corporation**,
Burlington, MA (US)

(**) Term: **15 Years**

(21) Appl. No.: **29/618,352**

(22) Filed: **Sep. 20, 2017**

(51) **LOC (11) Cl.** **08-08**

(52) **U.S. Cl.**
USPC **D8/394**

(58) **Field of Classification Search**
USPC D8/349, 366, 364, 382, 394, 395, 396;
D6/681, 681.3, 682, 682.3, 682.4;
D24/224, 227
CPC F16L 3/00; F16M 2200/00; F21V 21/088;
F16B 2/241; F16B 2/20; A45F 2200/0566
See application file for complete search history.

(56) **References Cited**

U.S. PATENT DOCUMENTS

- 1,443,169 A * 1/1923 Conrad G09F 5/04
206/303
- D120,628 S * 5/1940 Jembrzycki et al. D8/366
- D143,320 S * 12/1945 Horton et al. D6/682.4
- D186,435 S * 10/1959 Wilson et al. D13/182
- D214,418 S * 6/1969 Laurini et al. D8/356
- 3,739,435 A * 6/1973 Baker F16B 2/185
248/74.1
- 3,907,239 A * 9/1975 Ehrlich F16B 2/245
24/339

- 4,119,285 A * 10/1978 Bisping F16L 3/24
248/72
- 4,444,358 A * 4/1984 Spohn B60S 1/50
215/309
- D276,272 S * 11/1984 Weissenburger D24/176
- D295,315 S * 4/1988 Nelson D24/130

(Continued)

OTHER PUBLICATIONS

Office Action for U.S. Appl. No. 29/641,166, "Capsule Stand",
dated Dec. 5, 2018.

Primary Examiner — John Windmuller

Assistant Examiner — Steven J Czyz

(74) *Attorney, Agent, or Firm* — Hamilton, Brook, Smith
& Reynolds, P.C.

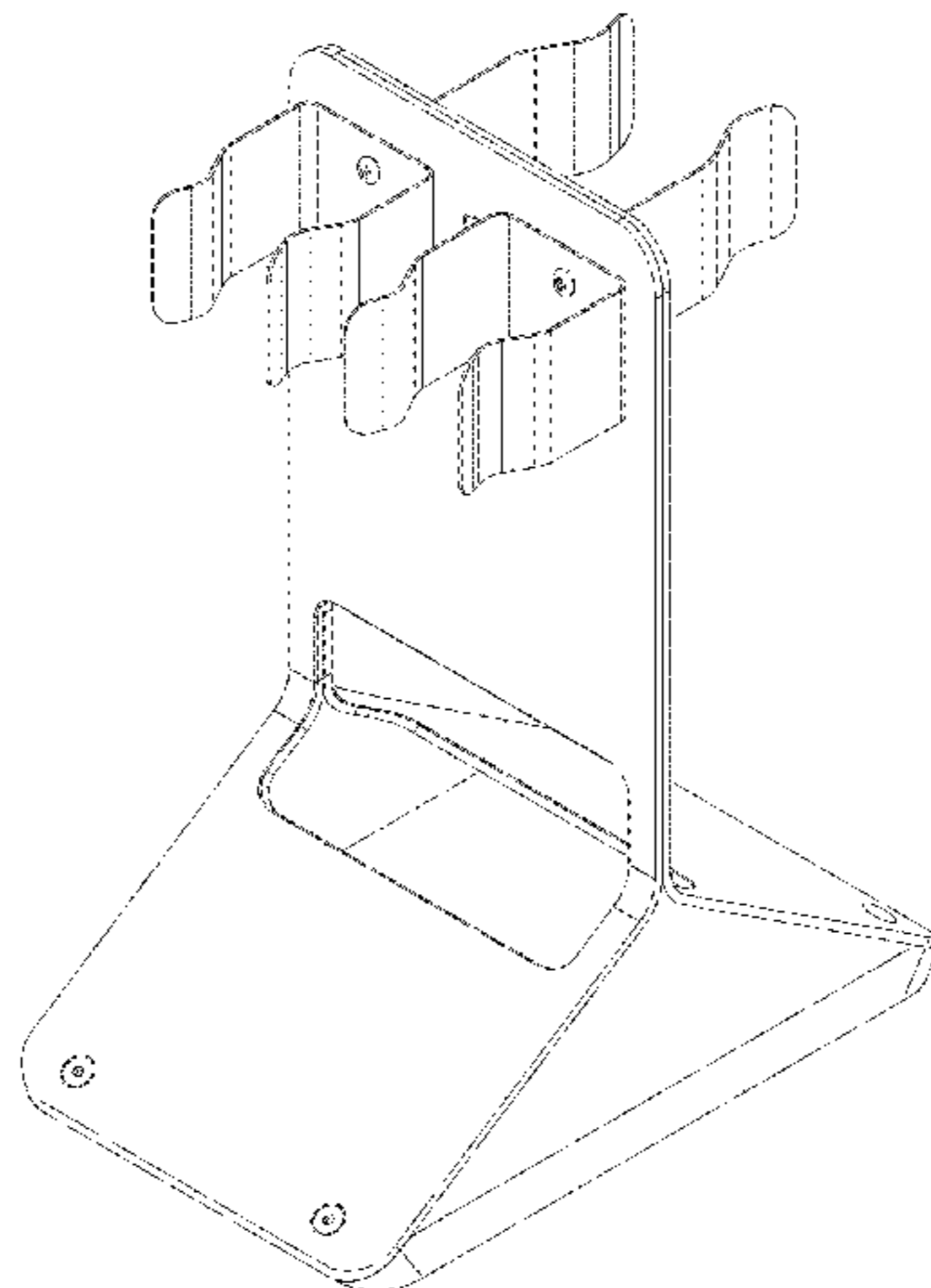
(57) **CLAIM**

The ornamental design for a capsule stand, as shown and
described.

DESCRIPTION

FIG. 1 is a front perspective view of a capsule stand according to the first embodiment of the present invention; FIG. 2 is a top view thereof; FIG. 3 is a rear perspective view thereof; FIG. 4 is a front view thereof; FIG. 5 is a right side view thereof, with the left side view being a mirror image thereof; FIG. 6 is a rear view thereof; FIG. 7 is a bottom view thereof; FIG. 8 is a front perspective view of the capsule stand according to the second embodiment of the present invention; FIG. 9 is a top view thereof; FIG. 10 is a rear perspective view thereof; FIG. 11 is a front view thereof; and, FIG. 12 is a rear view thereof.

1 Claim, 12 Drawing Sheets



(56)

References Cited

U.S. PATENT DOCUMENTS

4,805,479 A * 2/1989 Brightwell F16C 1/105
74/502.4
D303,159 S * 8/1989 Heath D27/172
D319,383 S * 8/1991 Kihlstrom D8/349
5,127,531 A * 7/1992 Onodera B01L 9/06
206/446
D333,255 S * 2/1993 Newcomer D8/356
D343,994 S * 2/1994 Lin D7/633
5,419,527 A * 5/1995 Adams F21V 35/00
248/126
D363,211 S * 10/1995 Noble D8/371
D367,999 S * 3/1996 McCallum D6/553
D373,823 S * 9/1996 Baldwin D24/128
D376,535 S * 12/1996 Gary D26/138
5,601,272 A * 2/1997 Adams F21V 35/00
248/126
D417,612 S * 12/1999 Jones D26/138
D424,692 S * 5/2000 Monaghan D24/128
D430,699 S * 9/2000 Coleman, Jr. D26/138

D440,005 S * 4/2001 Blanton 24/16 R
6,543,100 B1 * 4/2003 Finley F16B 2/20
24/339
D516,904 S * 3/2006 Kendrick D8/395
7,458,551 B2 * 12/2008 Wang A61M 5/158
248/313
D632,554 S * 2/2011 Grzyb D8/395
D690,583 S * 10/2013 Sendra-Gonzalez ... H02S 20/00
D8/394
8,544,229 B2 * 10/2013 Kilgore E04F 15/02044
52/177
8,662,455 B2 * 3/2014 Hernandez F16B 2/245
248/222.12
8,998,150 B2 * 4/2015 McMiles F16L 3/08
248/316.1
D763,464 S * 8/2016 Li D24/227
D789,778 S * 6/2017 White, Sr. D26/138
D793,215 S * 8/2017 Gallion D8/394
D813,660 S * 3/2018 Tyner D8/396
D816,474 S * 5/2018 Ochi D8/395
D817,166 S * 5/2018 Wolfer D8/395
D818,358 S * 5/2018 Wolfer D8/395

* cited by examiner

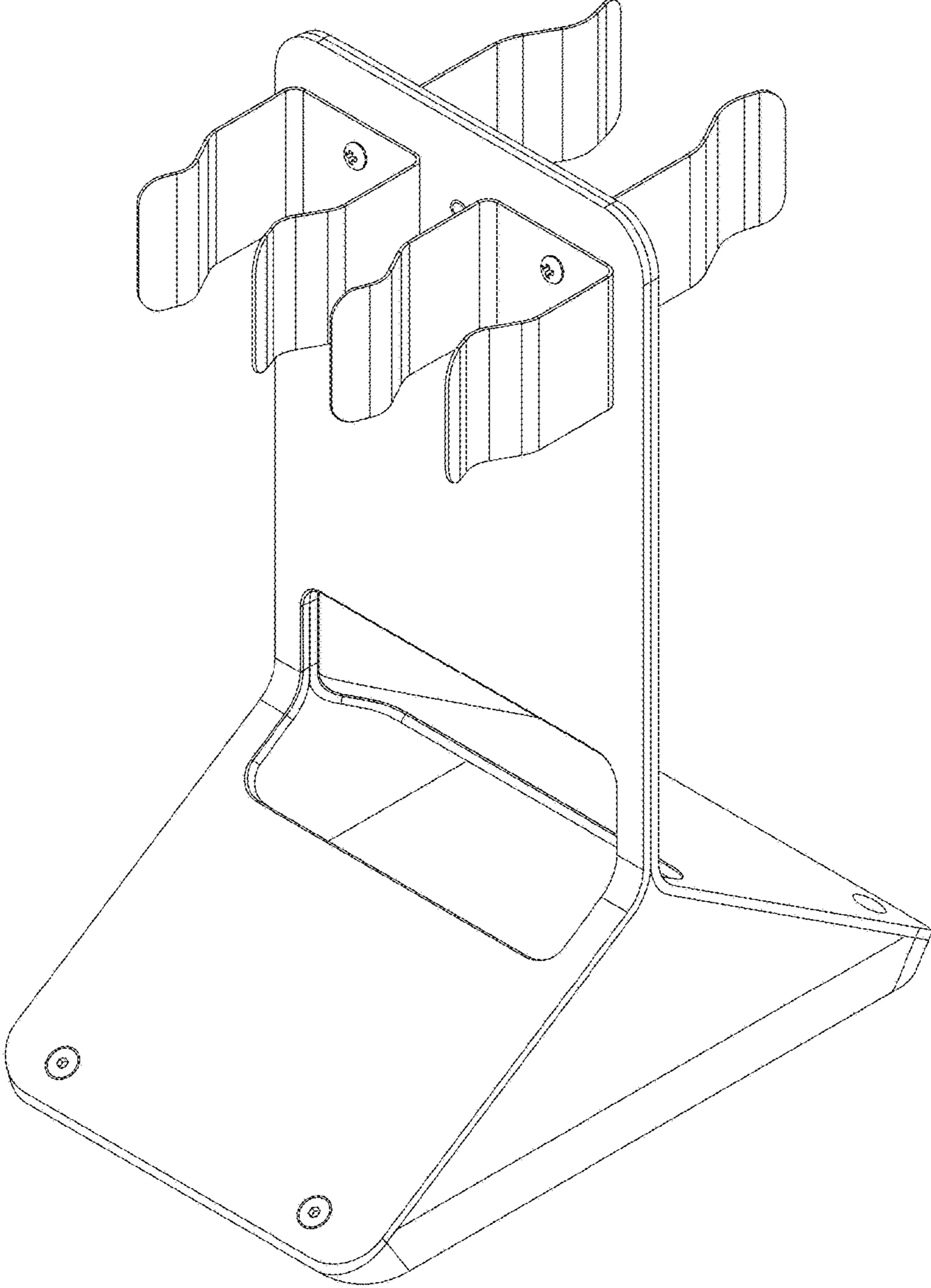


FIG. 1

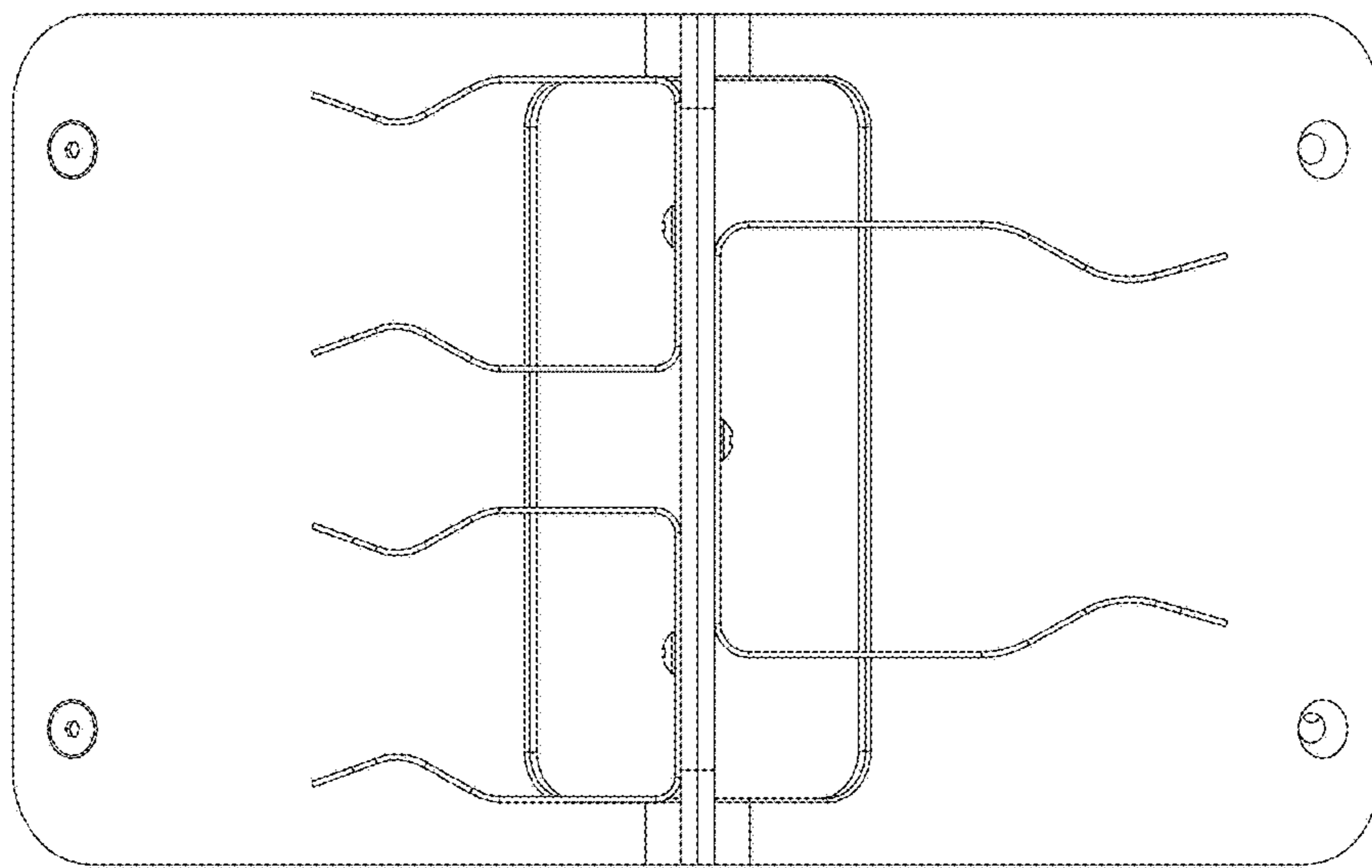


FIG. 2

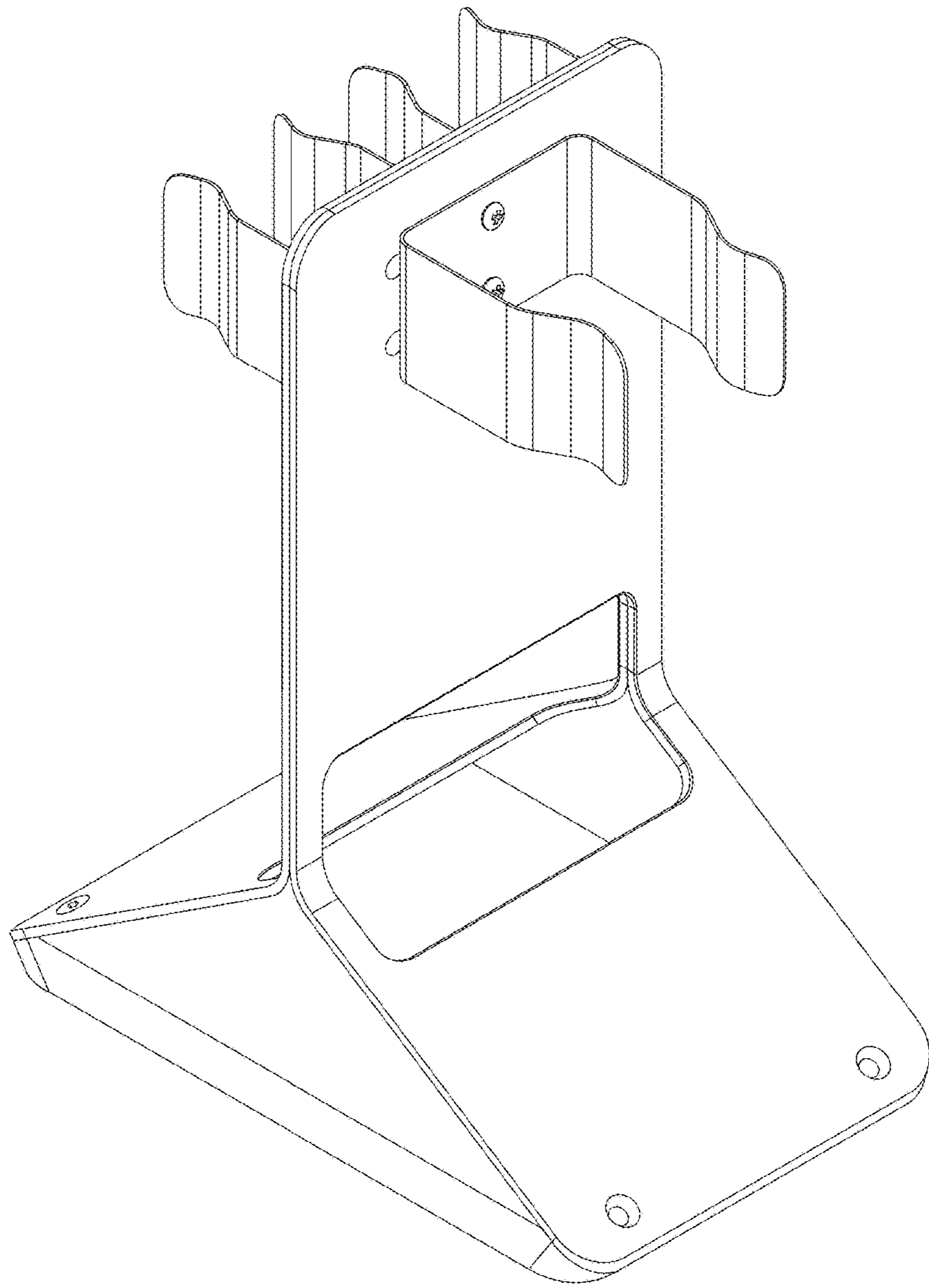


FIG. 3

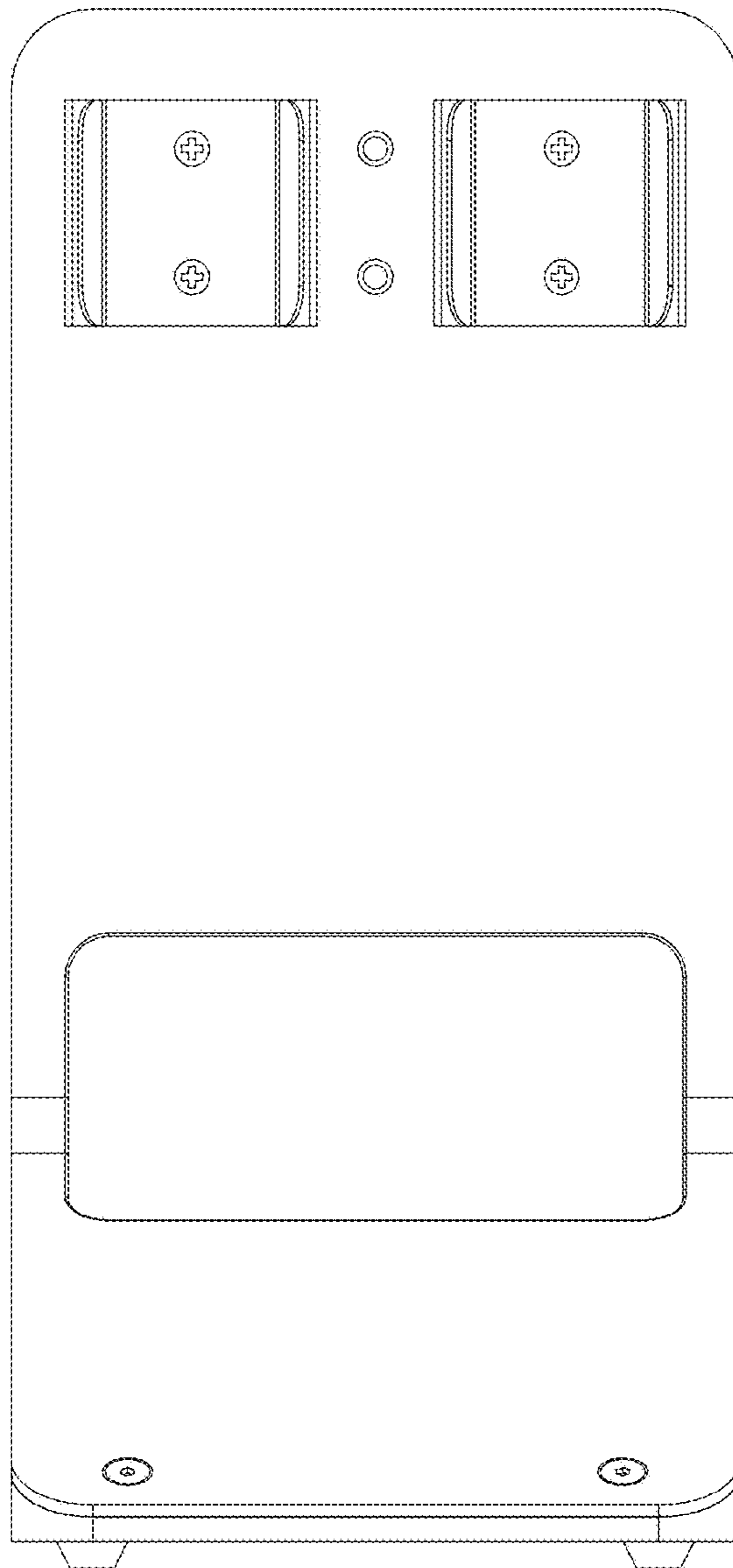


FIG. 4

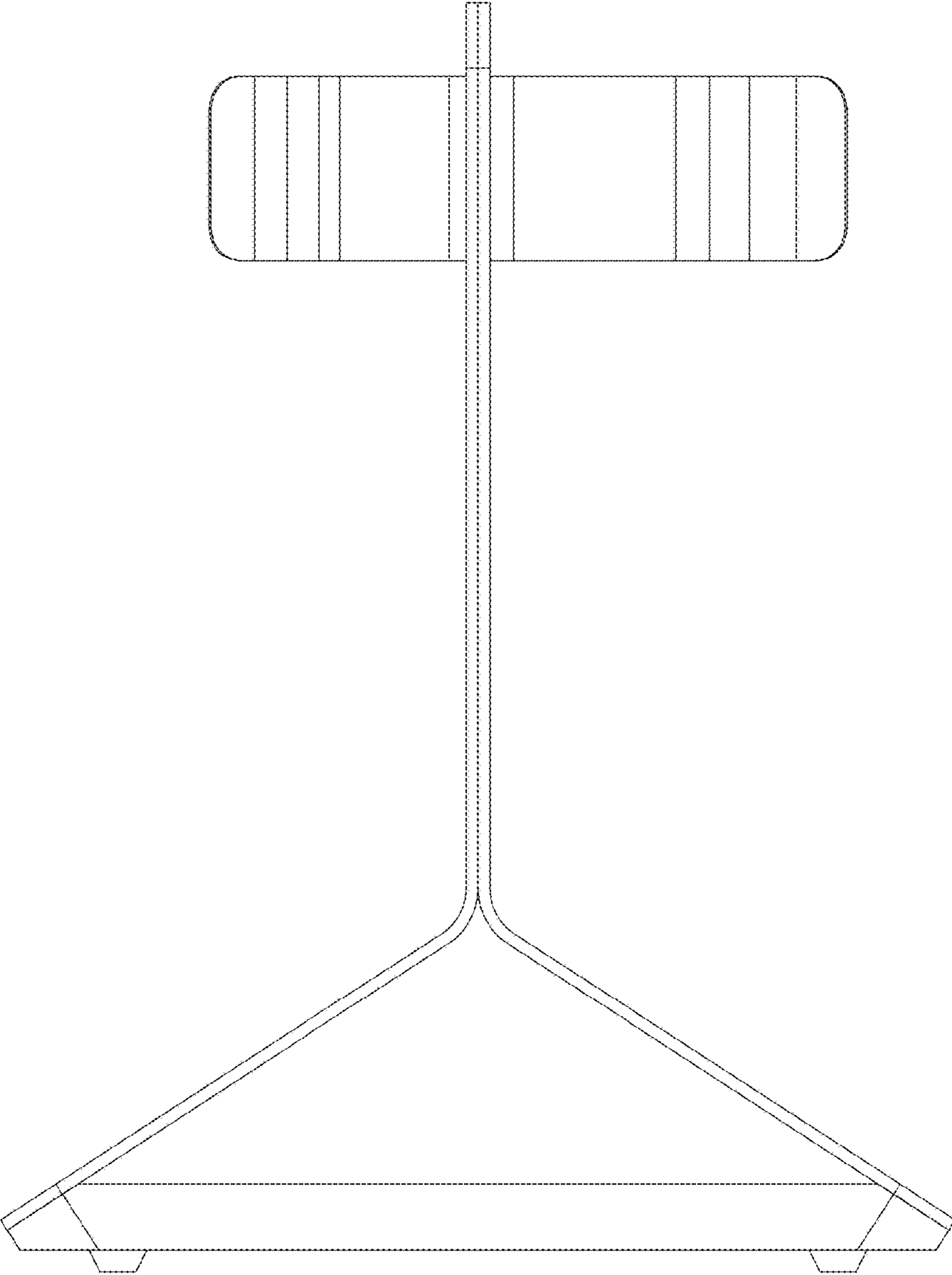


FIG. 5

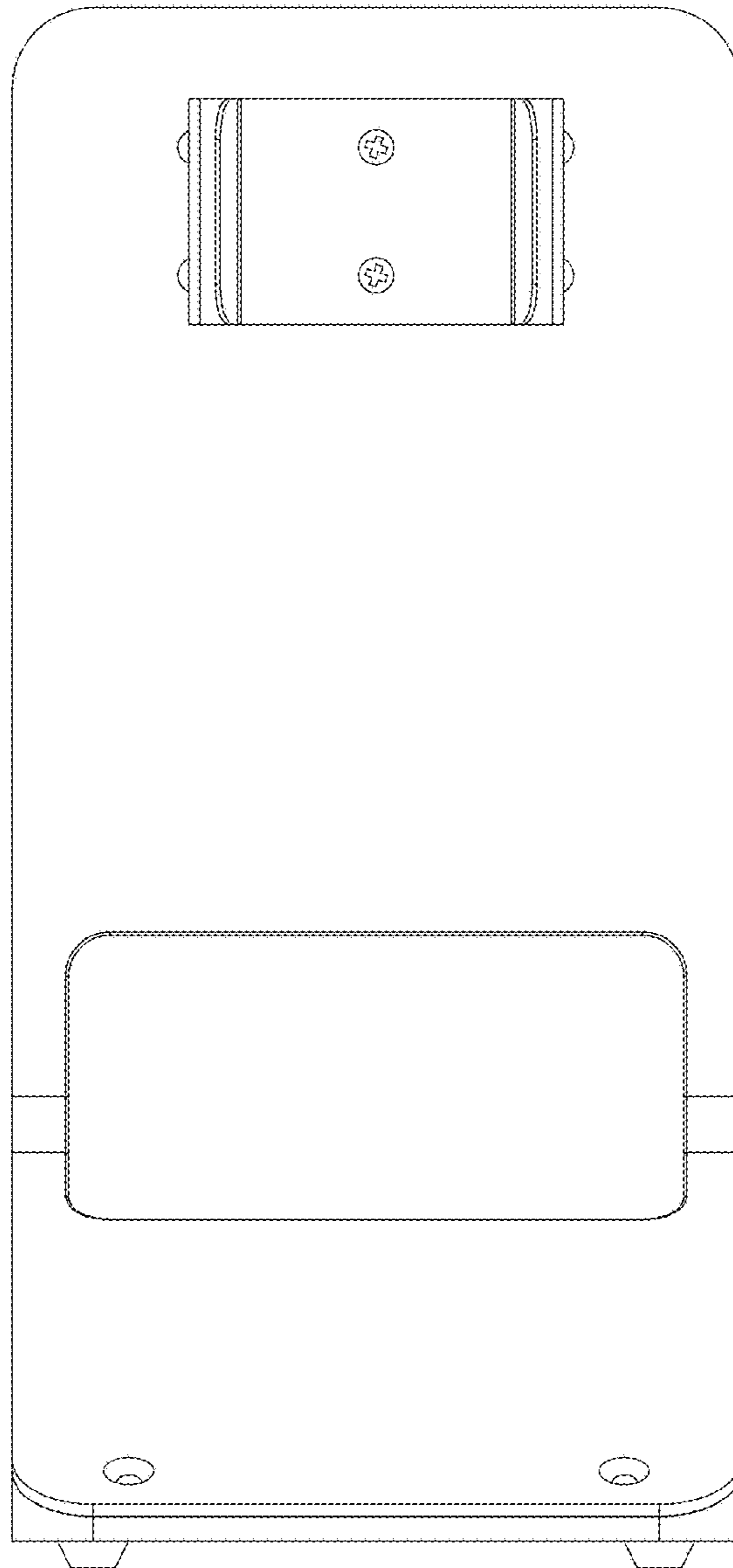


FIG. 6



FIG. 7

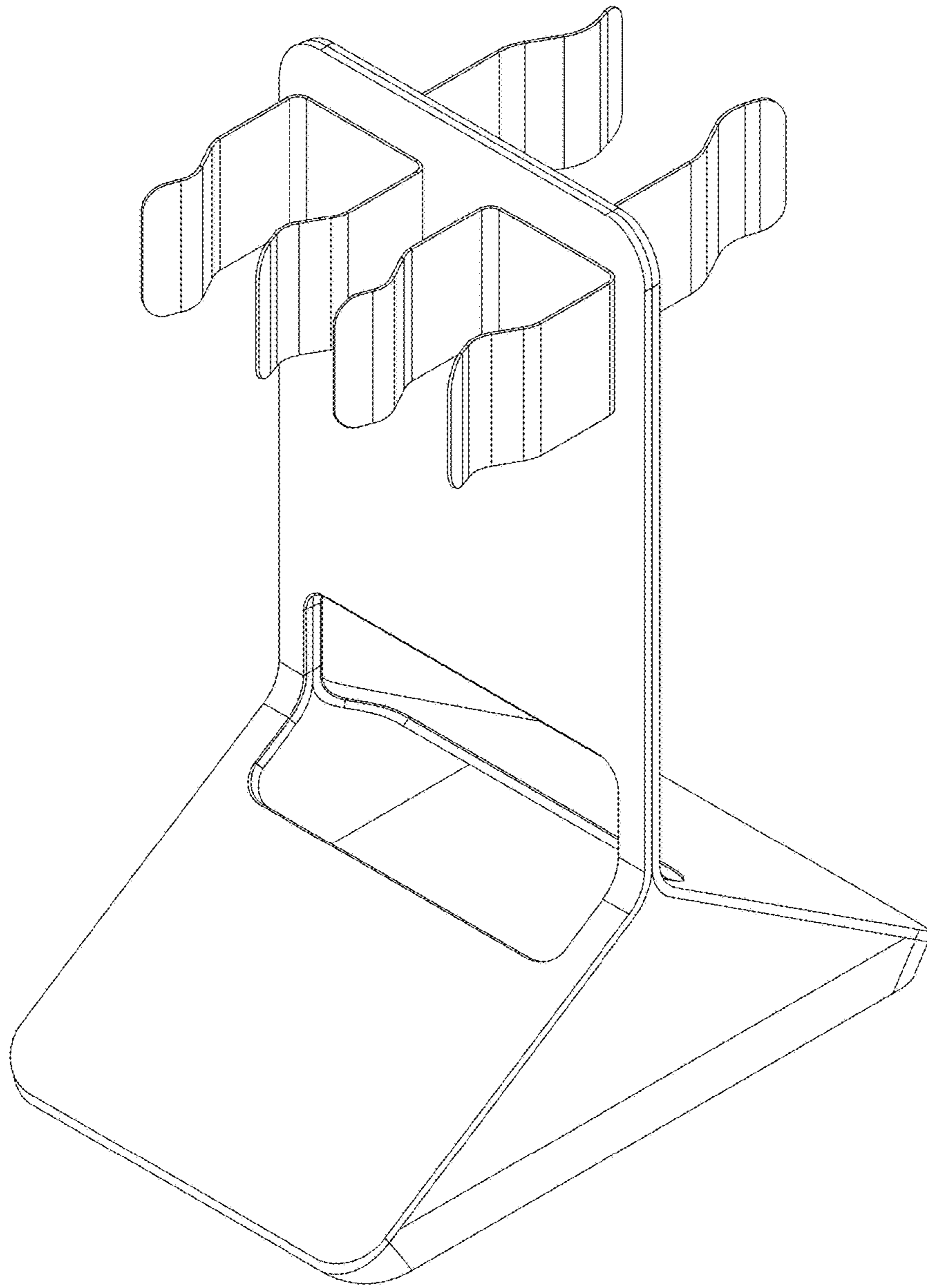


FIG. 8

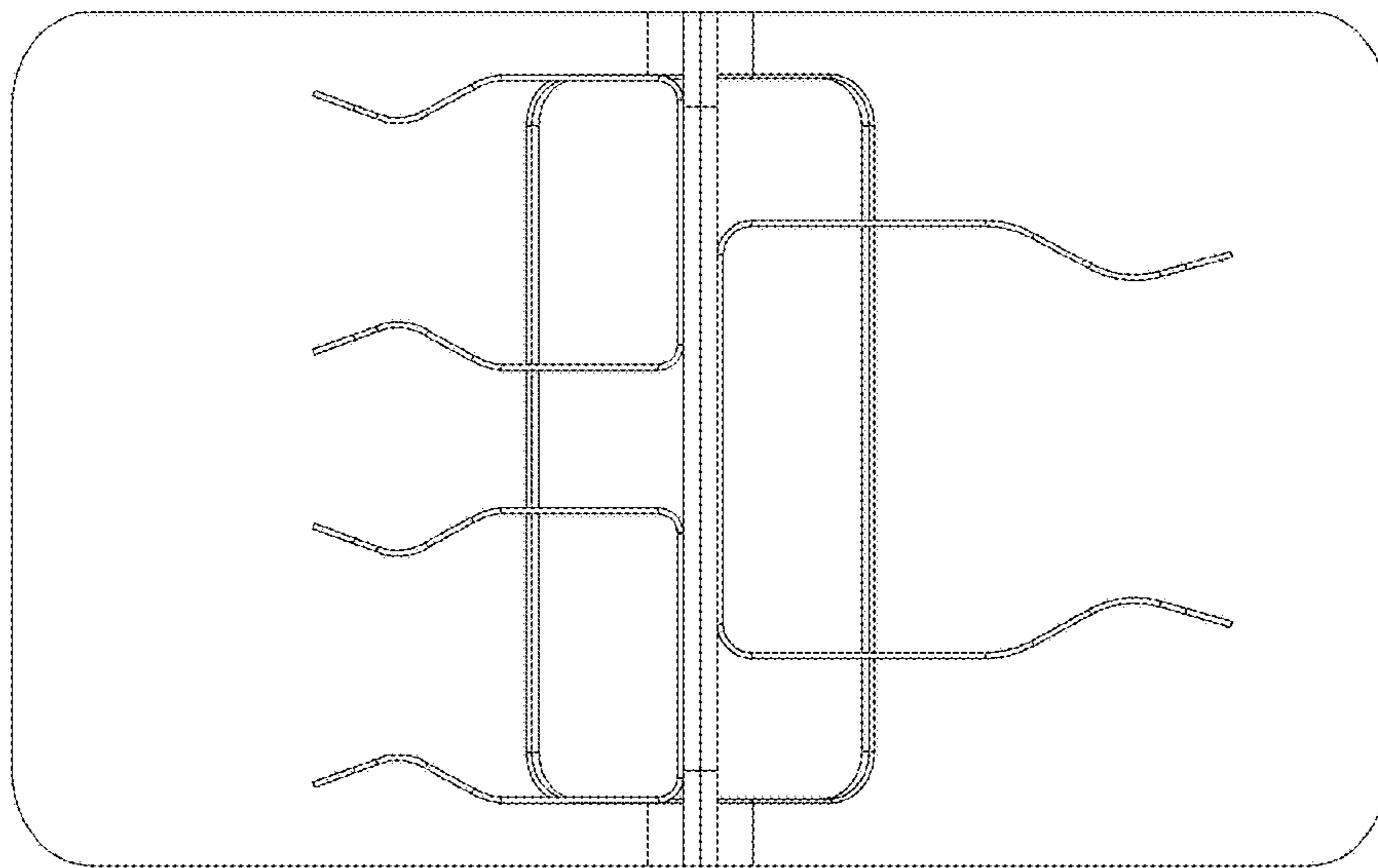


FIG. 9

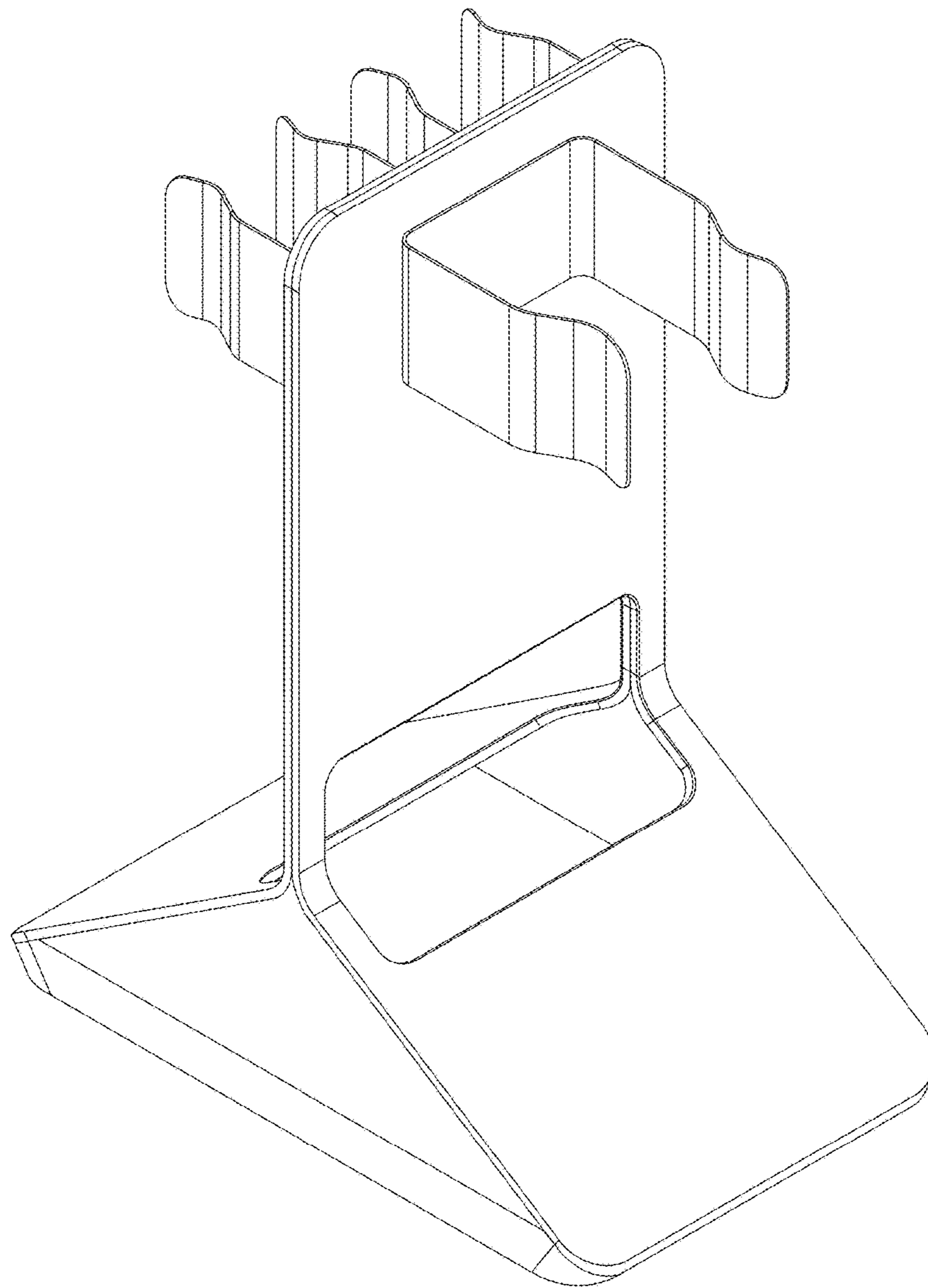


FIG. 10

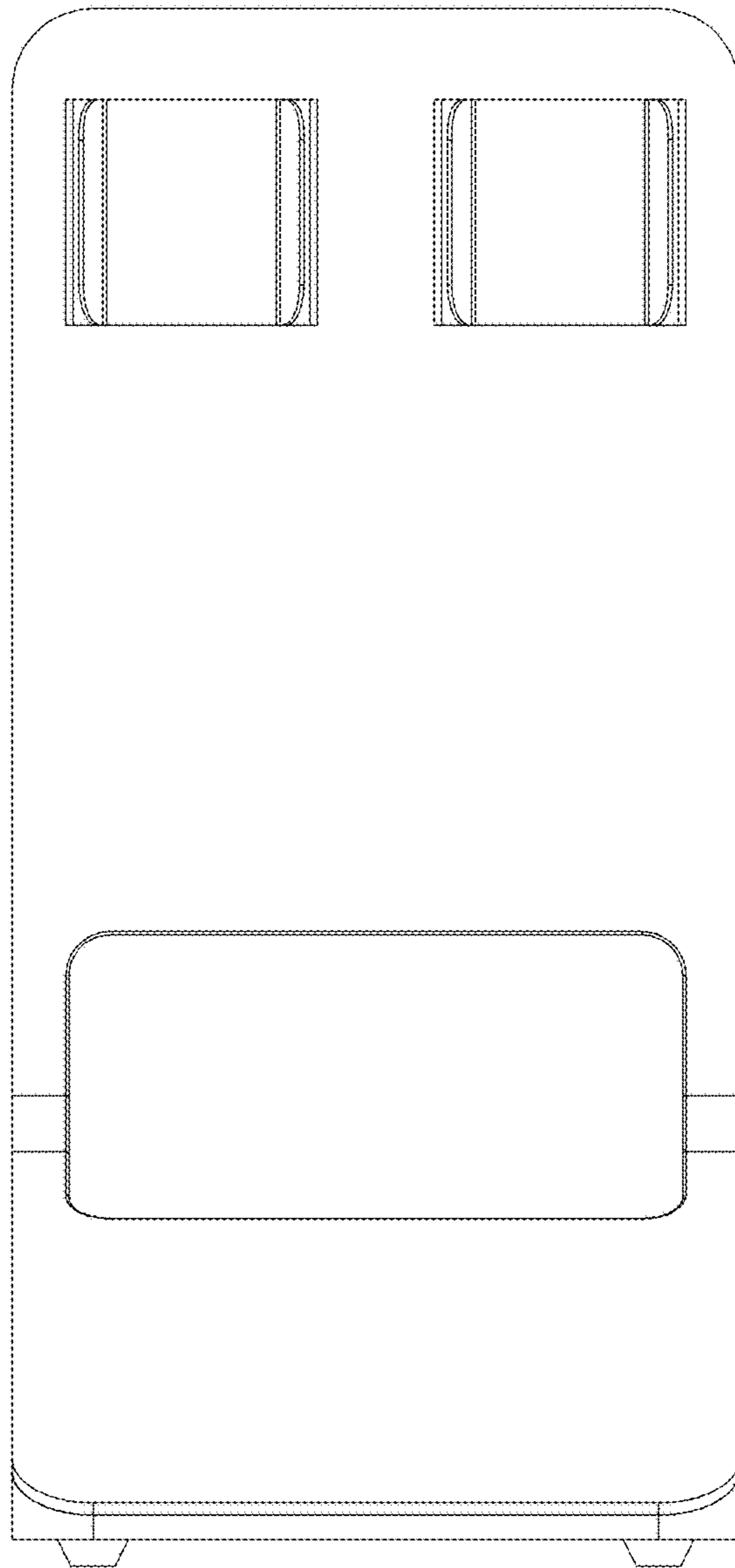


FIG. 11

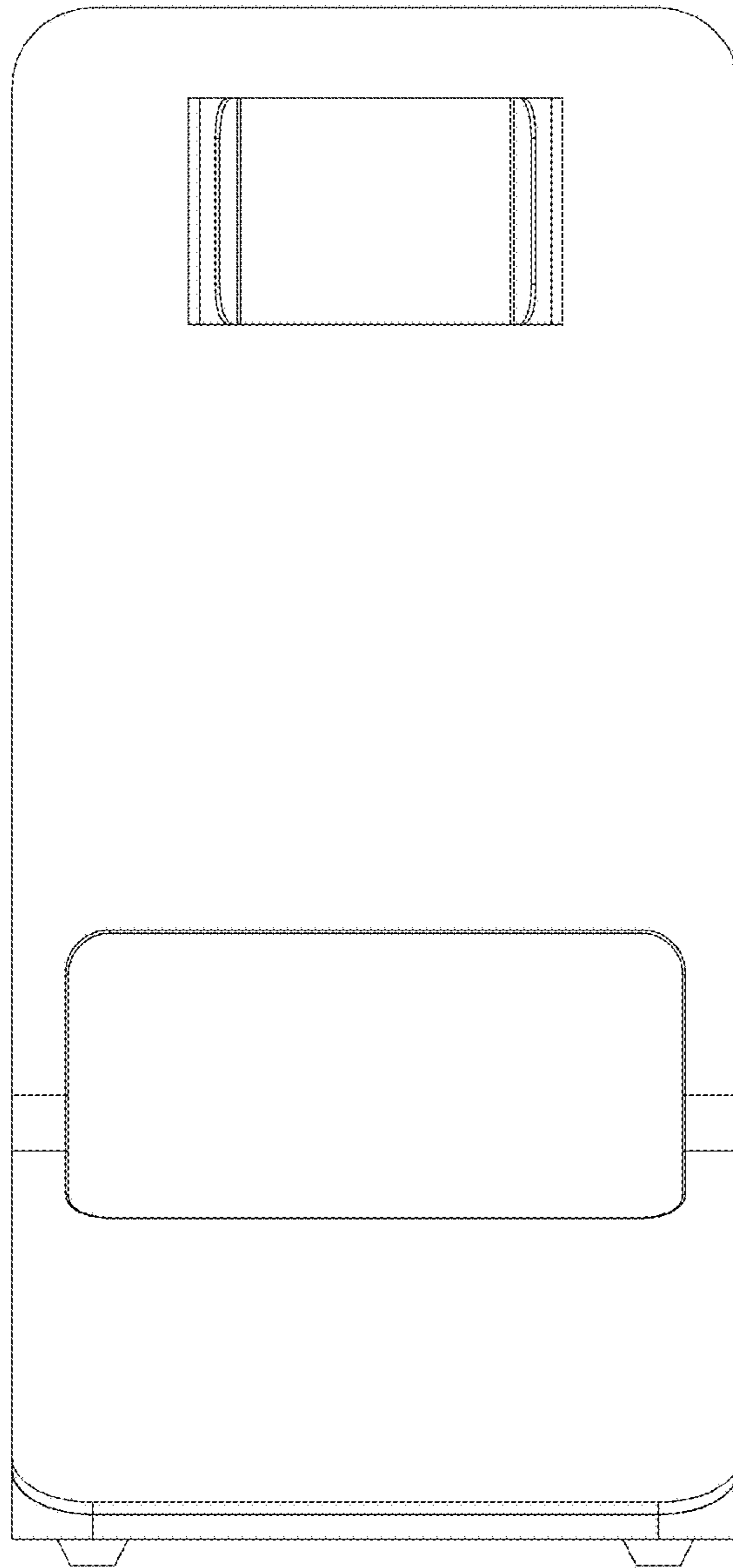


FIG. 12