



US00D853225S

(12) **United States Design Patent**
Kokenge

(10) **Patent No.:** **US D853,225 S**

(45) **Date of Patent:** **** Jul. 9, 2019**

(54) **SHELF LOCATOR**

(71) Applicant: **Organized Living, Inc.**, Cincinnati, OH (US)

(72) Inventor: **John Kokenge**, Cincinnati, OH (US)

(73) Assignee: **Organized Living, Inc.**, Cincinnati, OH (US)

(**) Term: **15 Years**

(21) Appl. No.: **29/585,293**

(22) Filed: **Nov. 22, 2016**

(51) **LOC (11) Cl.** **08-05**

(52) **U.S. Cl.**
USPC **D8/381; D8/349**

(58) **Field of Classification Search**
USPC D8/349, 354, 363, 373, 380, 381, 394;
D6/567, 572, 574; 248/235, 250;
108/107, 108, 152

CPC A47B 96/028; A47B 57/42; A47B 96/07;
A47B 96/061; F16B 47/003

See application file for complete search history.

(56) **References Cited**

U.S. PATENT DOCUMENTS

- 2,534,952 A * 12/1950 Comer A47B 57/42
108/107
- 3,199,822 A * 8/1965 Ruhnke A47B 96/028
248/243
- 4,299,367 A * 11/1981 Harlan A47B 96/061
248/223.41
- 4,431,155 A * 2/1984 Engel A47B 96/061
108/108
- 4,691,887 A * 9/1987 Bessinger A47B 96/065
108/108
- 4,738,426 A * 4/1988 Bessinger A47K 1/08
108/152
- 4,863,127 A * 9/1989 Handler A47B 57/06
248/205.2
- D310,455 S * 9/1990 Larsson D8/381

- D321,471 S * 11/1991 Stumpf D8/381
- 5,069,408 A * 12/1991 Bessinger A47B 96/061
108/108
- 5,404,822 A * 4/1995 Jaskiewicz A47B 96/062
108/108
- D404,285 S * 1/1999 Skudelny D8/354
- D561,570 S * 2/2008 Kubota D8/381
- D593,401 S * 6/2009 Sato D8/381
- D664,837 S * 8/2012 Harper D8/349
- D705,044 S * 5/2014 Hammac D8/380
- D759,463 S * 6/2016 Metzler D8/349
- D761,236 S * 7/2016 Wengreen D14/238.1
- 9,867,464 B1 * 1/2018 Kokenge A47B 96/028

(Continued)

OTHER PUBLICATIONS

Organized Living freedomRail Shelf Locators, Date: prior to filing of application, 3 pages.

Primary Examiner — Mark A Goodwin

(74) *Attorney, Agent, or Firm* — Dinsmore & Shohl LLP

(57) **CLAIM**

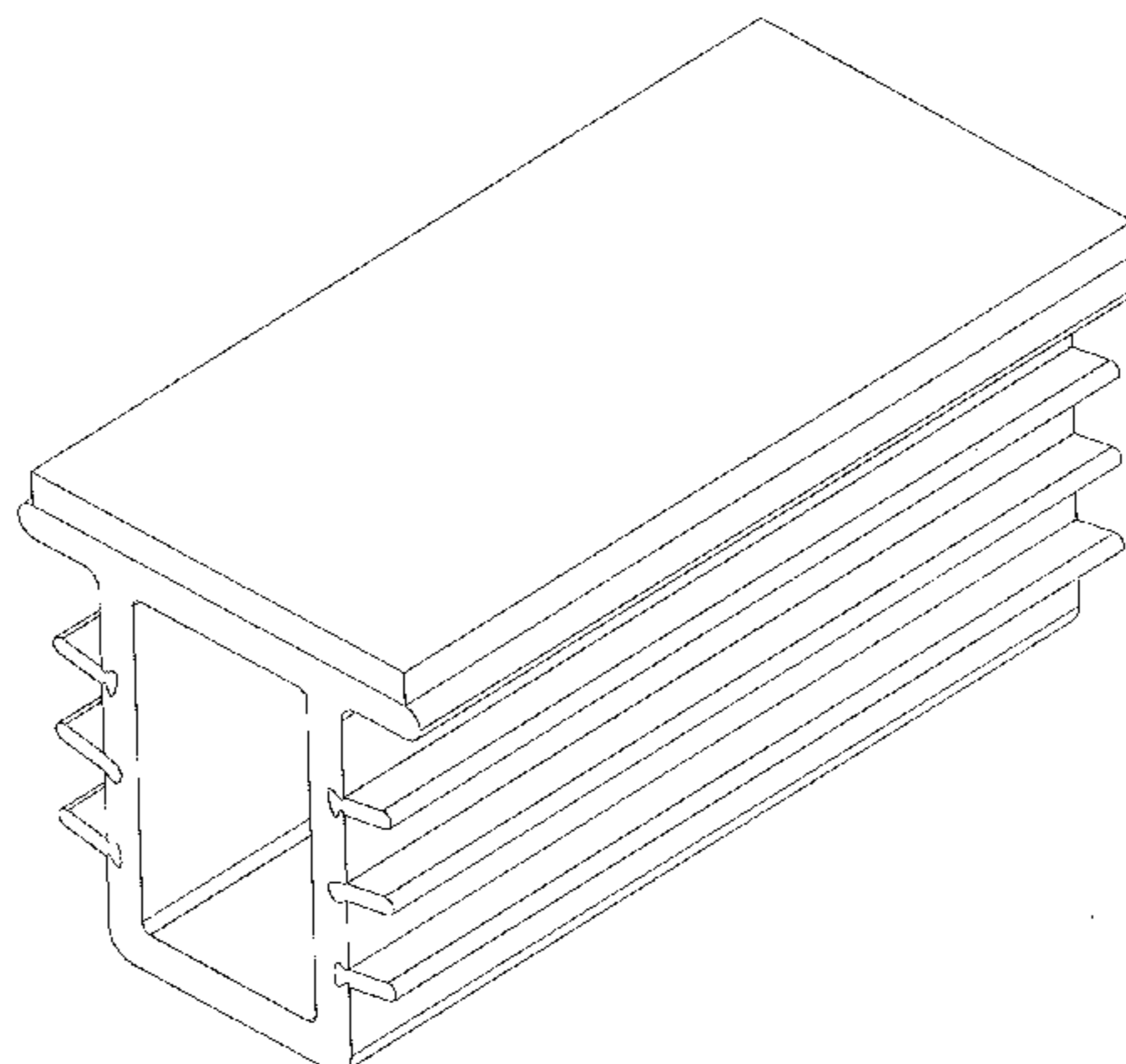
The ornamental design for shelf locator, as shown and described.

DESCRIPTION

FIG. 1 is a front perspective view of a shelf locator showing our new design;
 FIG. 2 is a front view of FIG. 1;
 FIG. 3 is a rear view of FIG. 1;
 FIG. 4 is a right view of FIG. 1;
 FIG. 5 is a left view of FIG. 1;
 FIG. 6 is a top view of FIG. 1; and,
 FIG. 7 is a bottom view of FIG. 1.

The broken lines in the drawings are included for the purpose of illustrating environmental structure and forms no part of the claimed design.

1 Claim, 7 Drawing Sheets



(56)

References Cited

U.S. PATENT DOCUMENTS

2008/0156950 A1* 7/2008 Rutz A47B 96/028
248/250
2017/0258229 A1* 9/2017 Siffel A47B 96/07

* cited by examiner

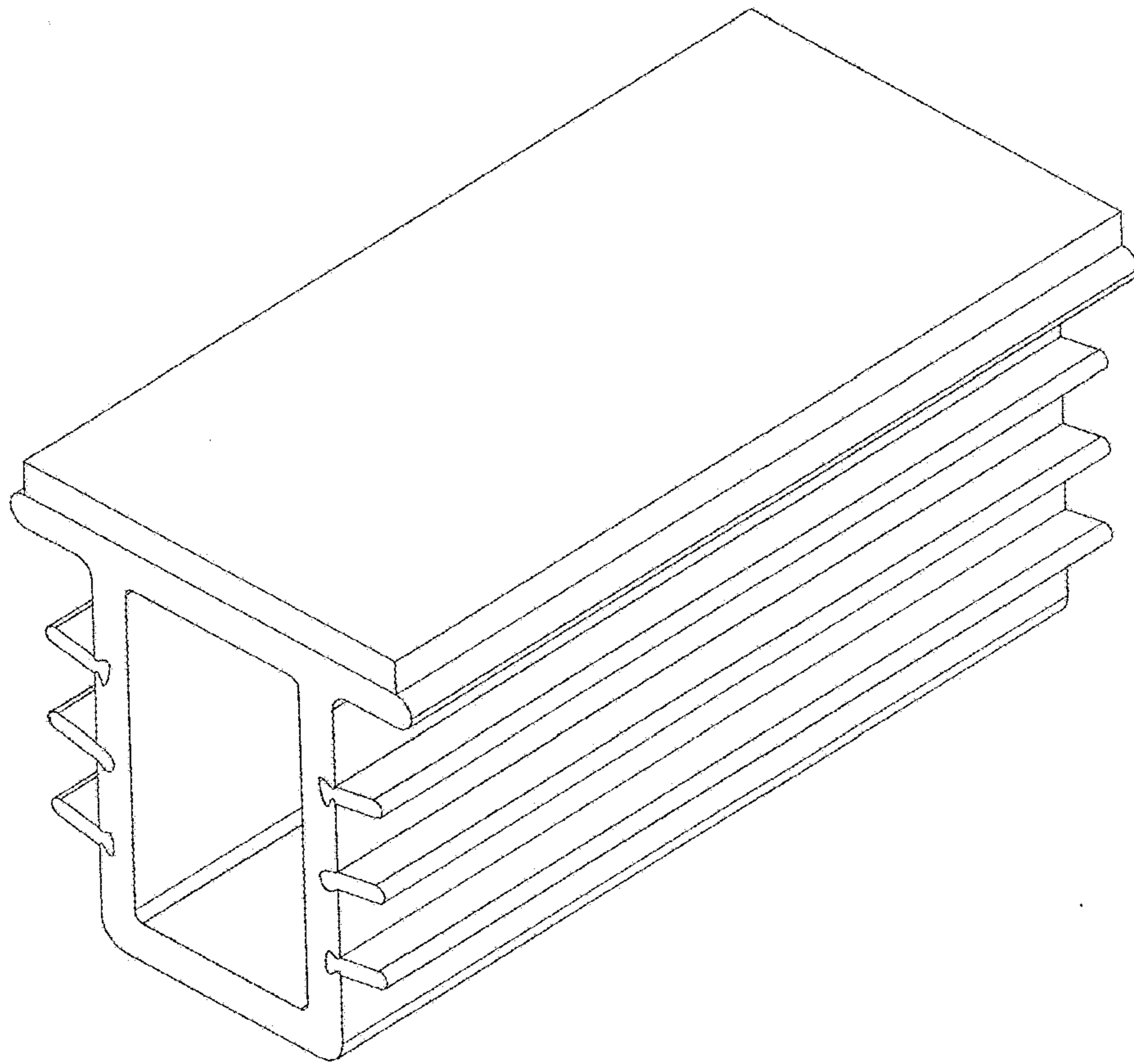


FIG. 1

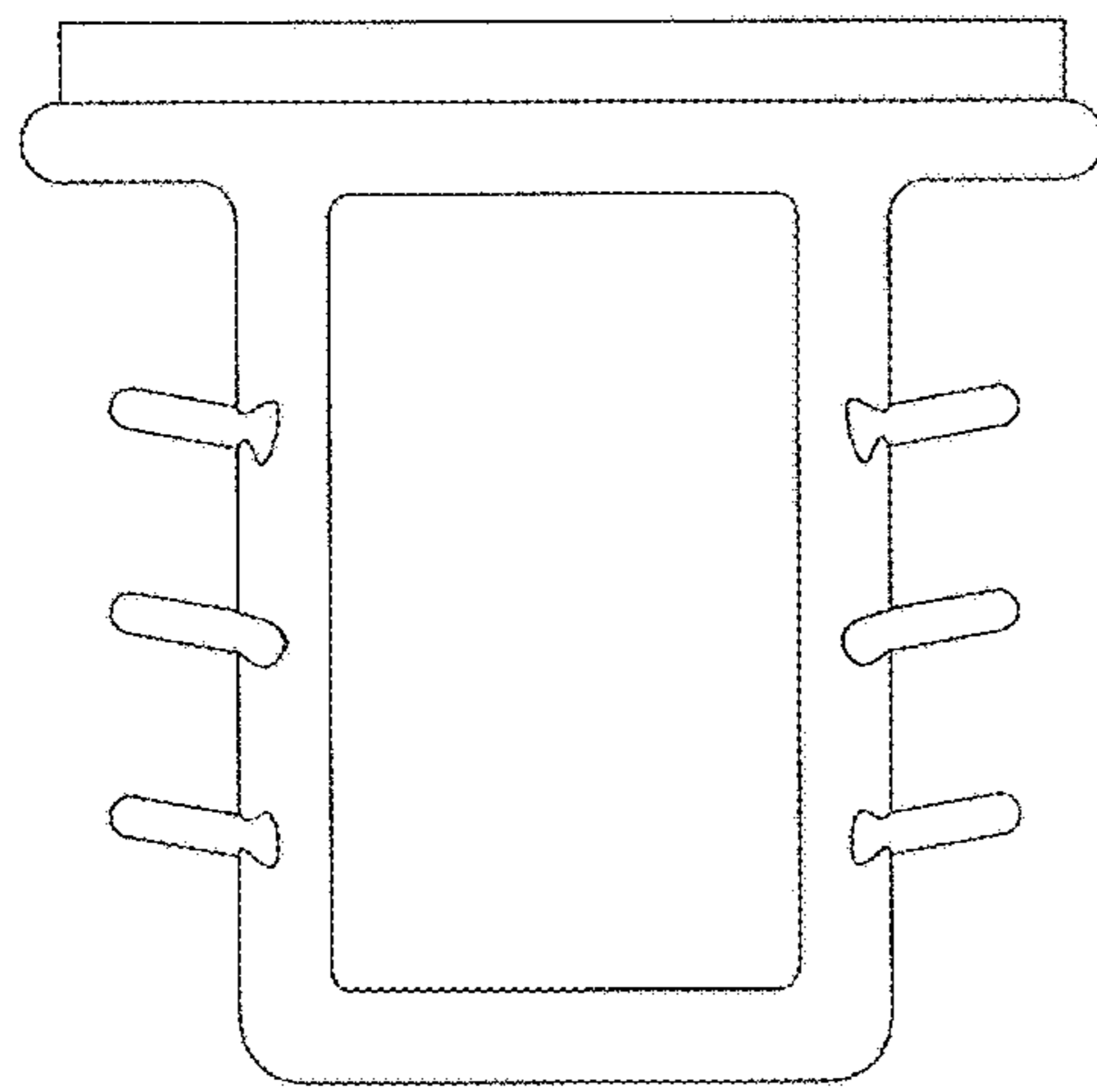


FIG. 2

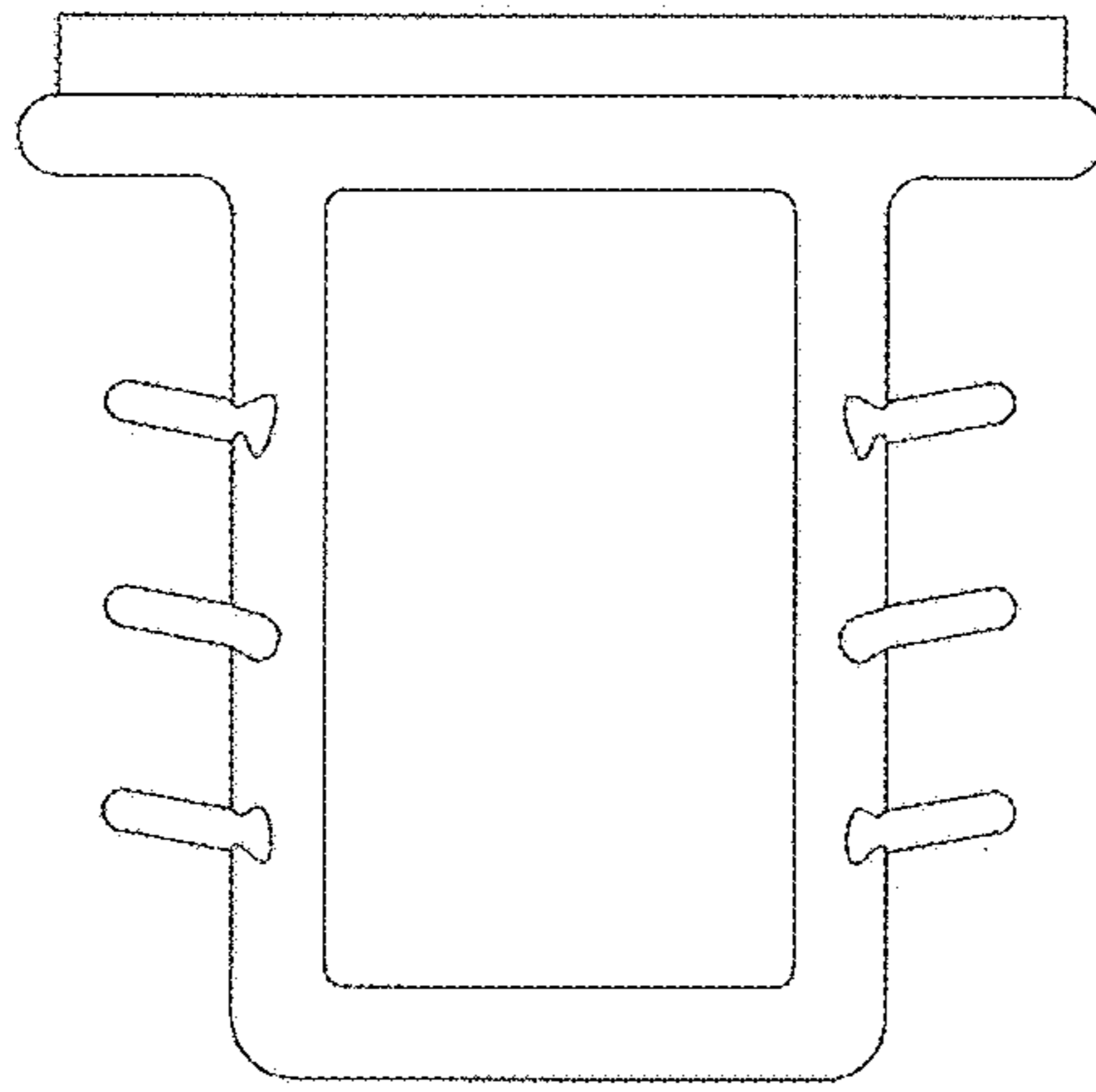


FIG. 3

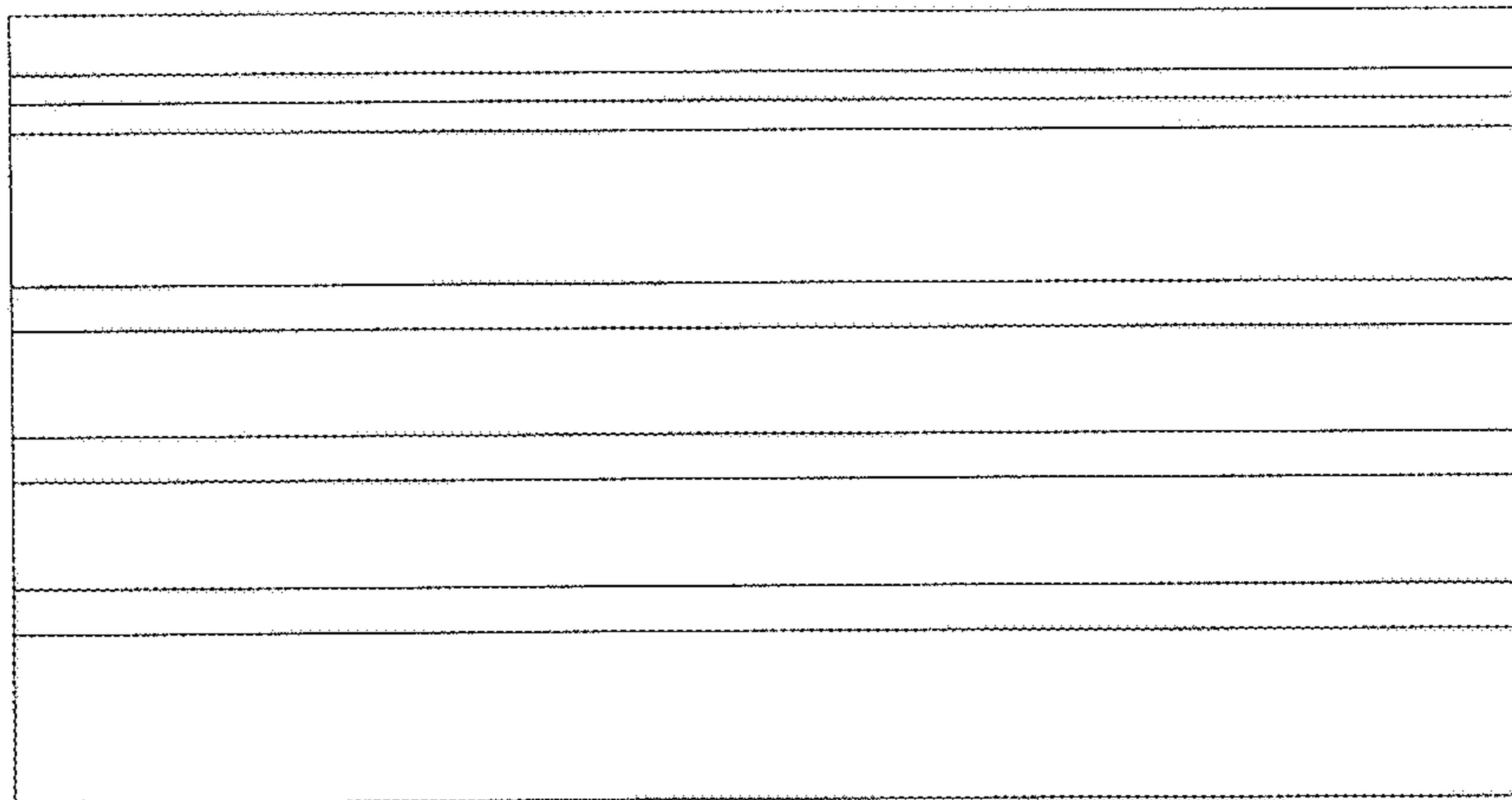


FIG. 4

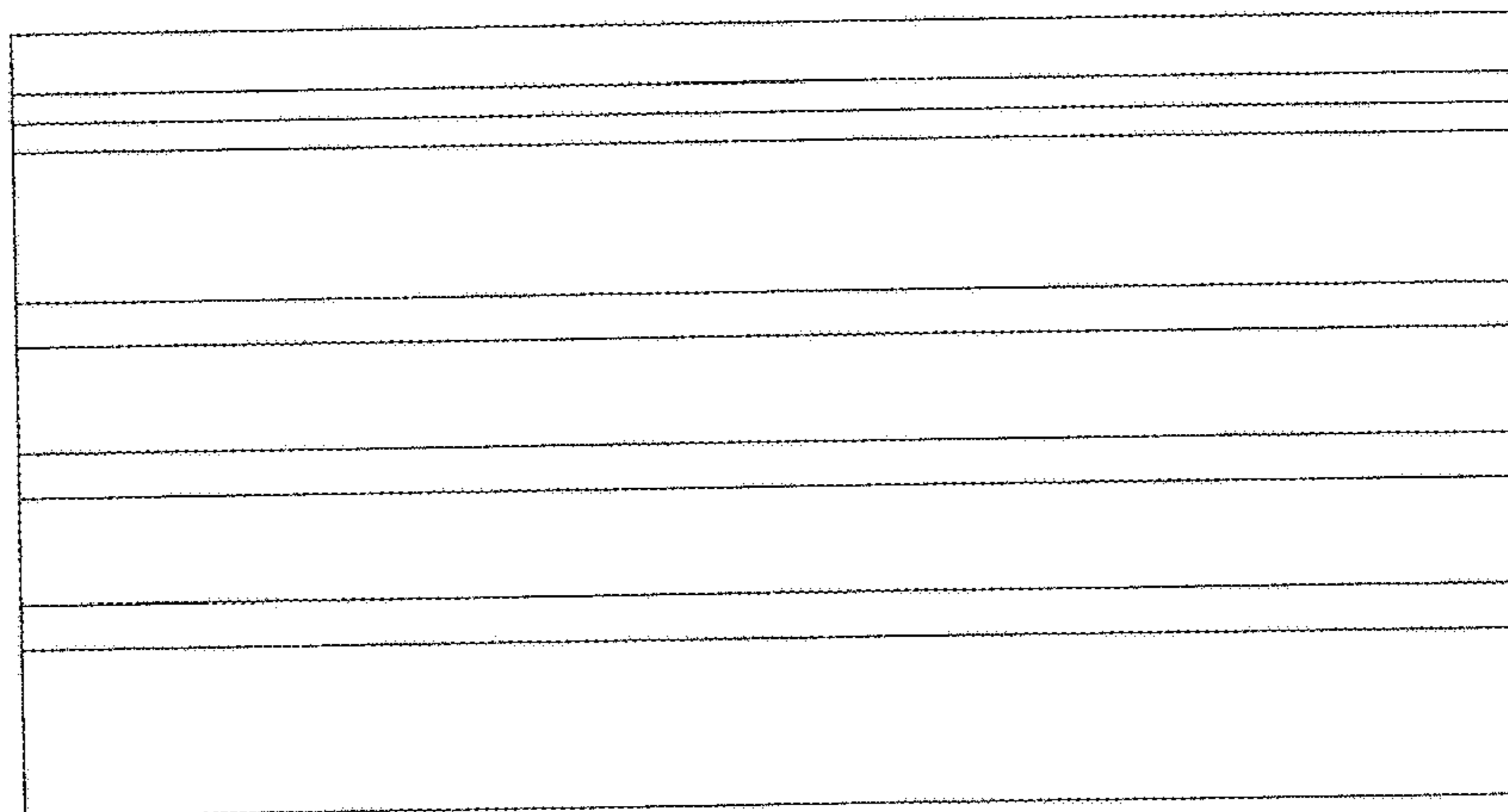


FIG. 5

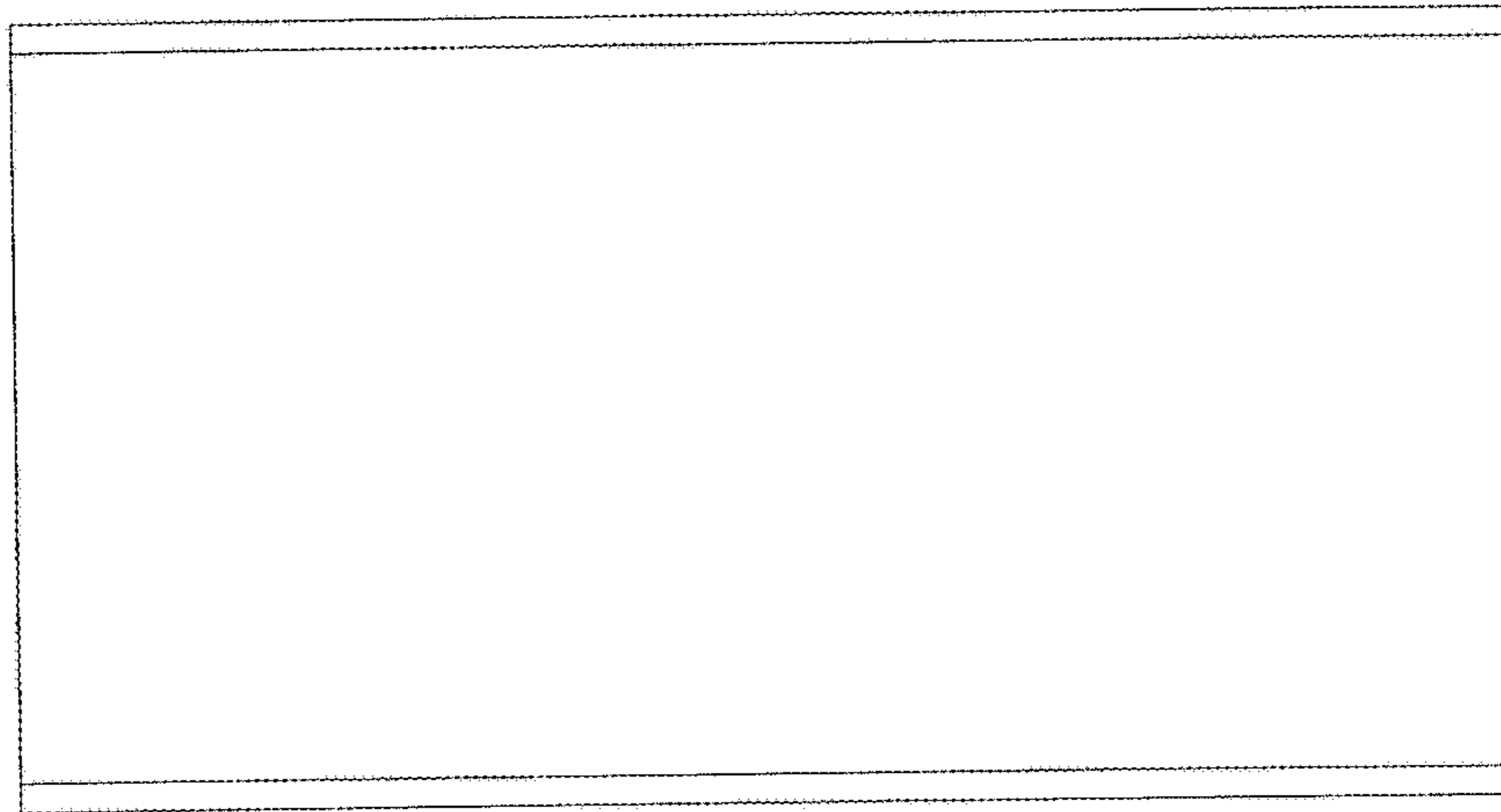


FIG. 6

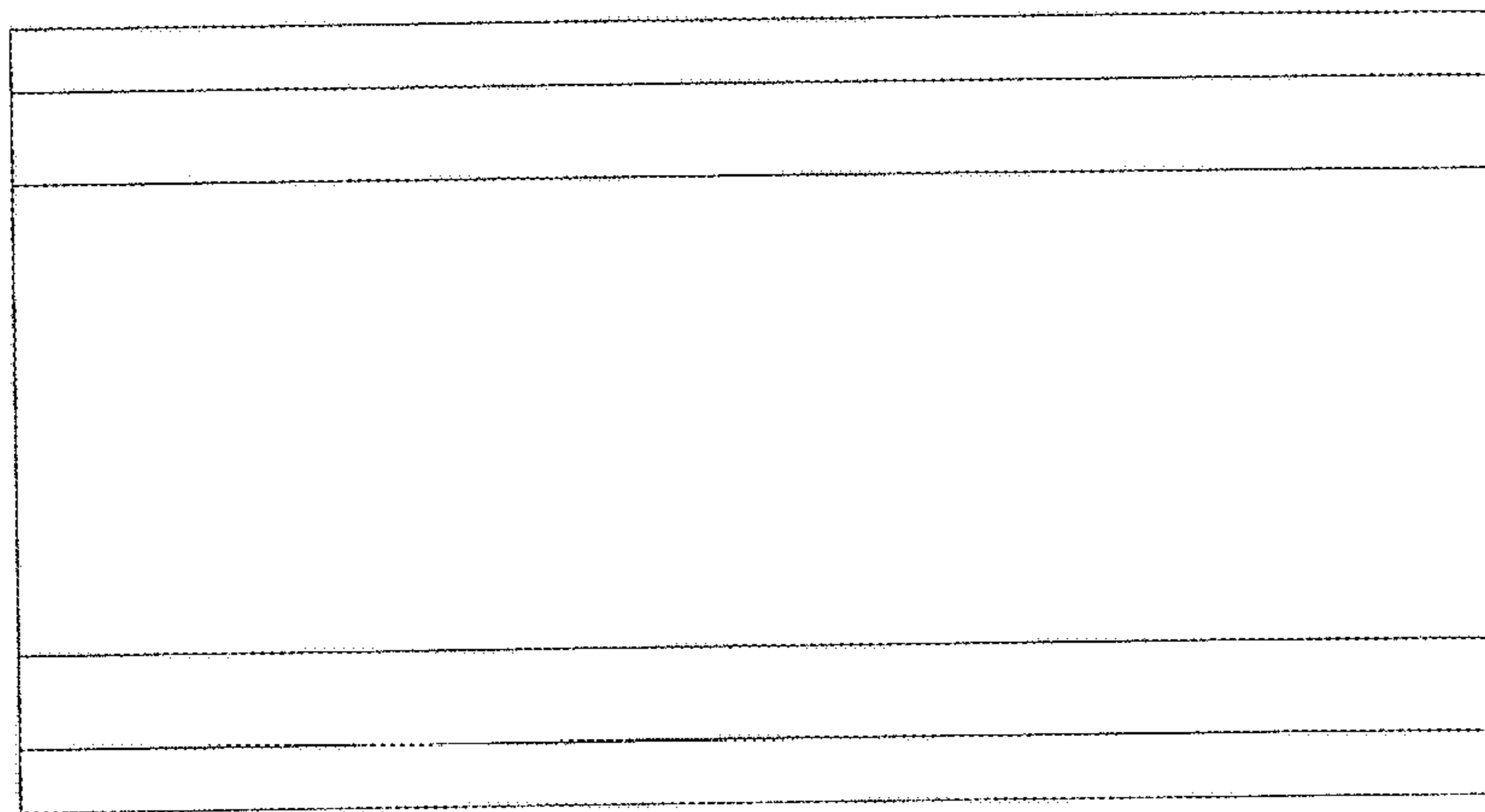


FIG. 7