



US00D853224S

(12) **United States Design Patent** (10) **Patent No.:** **US D853,224 S**
Bacallao (45) **Date of Patent:** **** Jul. 9, 2019**

(54) **WALL MOUNT FIXTURE**

(71) Applicant: **Walmart Apollo, LLC**, Bentonville, AR (US)

(72) Inventor: **Yurgis Mauro Bacallao**, Centerton, AR (US)

(73) Assignee: **WALMART APOLLO, LLC**, Bentonville, AR (US)

(**) Term: **15 Years**

(21) Appl. No.: **29/566,596**

(22) Filed: **Jun. 1, 2016**

(51) **LOC (11) Cl.** **08-05**

(52) **U.S. Cl.**
 USPC **D8/373**

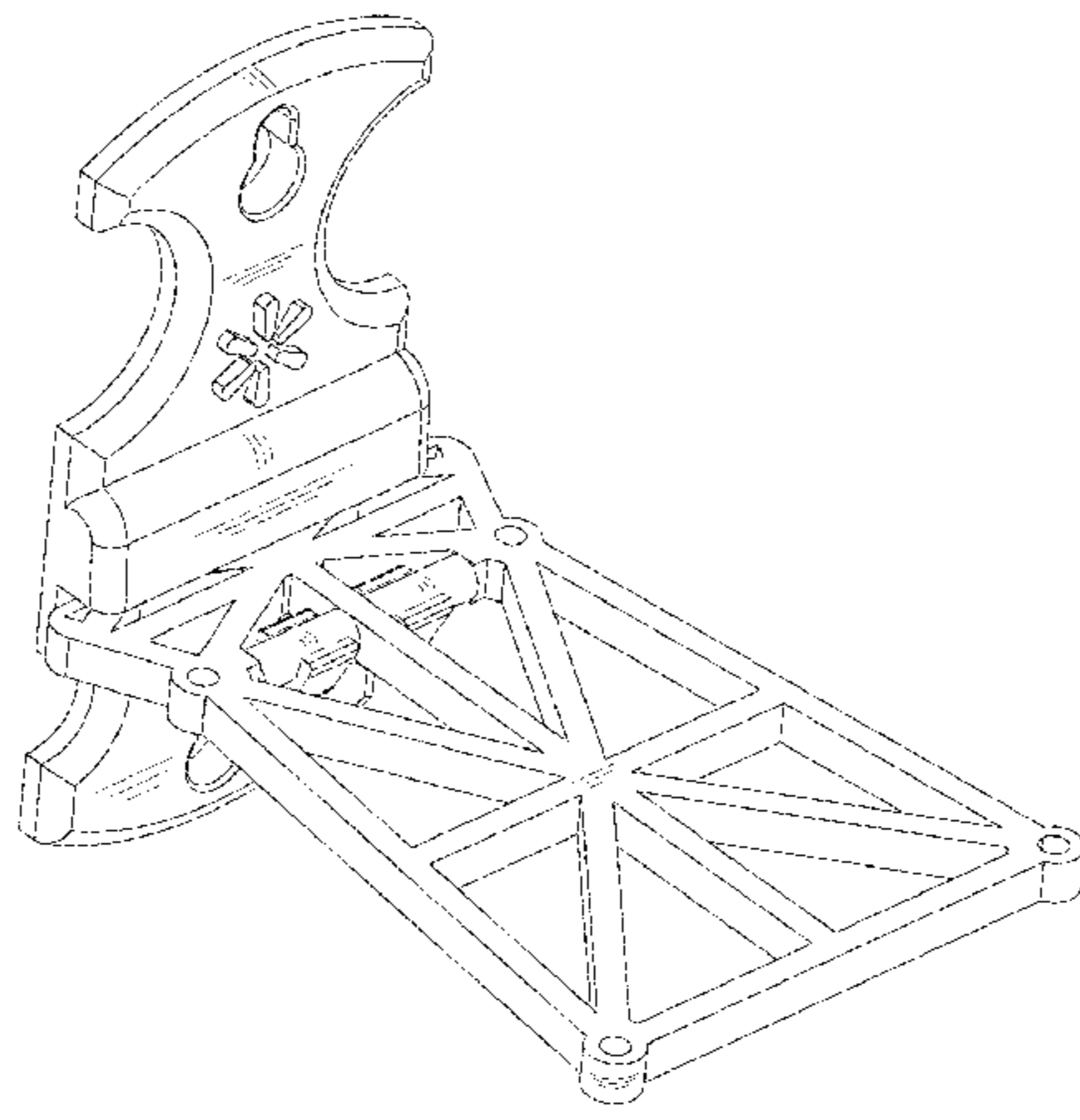
(58) **Field of Classification Search**
 USPC D8/373, 349, 354, 374, 380, 381, 363, D8/355, 16, 19, 350, 364, 366, 499; D6/552, 553, 524, 525, 533, 570; D14/447, 451, 238, 251; 211/13.1, 106, 211/70.6, 134, 70.7, 71.01, 86.01, 90.01, 211/90.03, 126.1, 181.1
 CPC A45F 5/10; A47B 2220/0036; E04B 1/26; E04B 2001/2415; E04B 2001/2644; E04B 2001/405; E04H 17/1421; E04H 2017/1473; A47G 1/00; A47G 25/00; F16L 3/00
 See application file for complete search history.

D254,051	S	*	1/1980	Zaleski	52/24
D287,817	S		1/1987	Henin		
D299,809	S		2/1989	Hagedorn		
D327,214	S		6/1992	Stuart		
D349,640	S	*	8/1994	Whitaker	D6/574
D357,400	S		4/1995	Sachs		
5,454,537	A		10/1995	Meeker		
D379,144	S	*	5/1997	Hunter	D8/363
D397,606	S	*	9/1998	Tameling	D8/363
D408,266	S		4/1999	Santiago		
D411,098	S	*	6/1999	Vogels	D8/363
D420,278	S		2/2000	Coffy et al.		
D427,888	S		7/2000	Hannon		
D432,901	S		10/2000	McDonald		
6,285,758	B1		9/2001	Lu		
6,511,251	B2		1/2003	Bowell		
6,711,921	B1		3/2004	Yang		
6,769,750	B2		8/2004	Hughes et al.		
6,957,978	B2		10/2005	Zoller		
D513,969	S		1/2006	Schurr et al.		
D516,023	S		2/2006	Quinn		
D516,394	S	*	3/2006	Chen	D8/16
7,154,039	B1		12/2006	Marszalek et al.		
D537,324	S	*	2/2007	Worrall	D8/363
D542,632	S		5/2007	Hill		
D546,366	S		7/2007	Dittmer		
7,264,863	B2		9/2007	Haymond		
D573,008	S		7/2008	Sipe		
D574,222	S		8/2008	Golias, Jr. et al.		
D576,633	S	*	9/2008	Muday	D14/452
D578,816	S	*	10/2008	Goodman	D6/566
D584,553	S	*	1/2009	Goodman	D19/90
D606,384	S		12/2009	Antonic		
D608,111	S		1/2010	Rubin		
7,724,520	B2		5/2010	Allen		
D631,735	S	*	2/2011	Johnson	D8/380
D643,708	S		8/2011	Hecht		
8,077,449	B2		12/2011	Mi et al.		
8,103,155	B2	*	1/2012	Dannenberg	A45D 20/12 392/379
D660,307	S	*	5/2012	Huang	D14/452
D674,637	S	*	1/2013	London	D6/553
8,418,514	B1		4/2013	Su		
8,548,536	B1		10/2013	Gunnip		
D700,593	S	*	3/2014	Xiang	D14/239
D705,040	S		5/2014	Konrad et al.		
8,713,858	B1		5/2014	Xie		
8,729,852	B2		5/2014	Tsai et al.		
D711,736	S		8/2014	Strom et al.		
D714,616	S		10/2014	Walker et al.		
8,869,573	B2		10/2014	Myers et al.		
D726,174	S		4/2015	Wahlin		
D729,766	S	*	5/2015	Luijben	D14/204

(56) **References Cited**

U.S. PATENT DOCUMENTS

D31,591	S	*	10/1899	Fox	D8/373
1,681,210	A		8/1928	Banks		
1,715,715	A		6/1929	McVey		
1,922,935	A		8/1933	Du Bois		
1,937,994	A		12/1933	Taylor		
2,677,520	A		5/1954	Marcy		
2,891,756	A		6/1959	Packard		
3,076,627	A		2/1963	Huron		
D242,510	S		11/1976	Enckler		



9,022,337	B2	5/2015	Petruskavich	
D734,305	S	7/2015	Wengreen	
9,115,846	B2	8/2015	Maier et al.	
9,128,668	B2	9/2015	Johnson	
9,131,195	B2	9/2015	Wengreen et al.	
9,165,174	B2	10/2015	Huck	
9,179,565	B2	11/2015	Cho	
D744,317	S	12/2015	Densberger et al.	
D744,459	S	12/2015	Cummings et al.	
9,272,829	B2	3/2016	Wynnicket al.	
D761,236	S	7/2016	Wengreen	
D766,601	S *	9/2016	Barre	D6/326
9,454,917	B1 *	9/2016	King	F16M 13/02
D771,476	S *	11/2016	Prince	D8/373
D774,753	S *	12/2016	Moreau	D3/228
D774,754	S *	12/2016	Moreau	D3/228
D776,745	S *	1/2017	Bennett	D16/242
D776,746	S *	1/2017	Bennett	D16/242
D795,266	S	8/2017	Williams	
D796,302	S	9/2017	Bright et al.	
D811,199	S *	2/2018	Bacallao	D8/349
9,933,107	B2 *	4/2018	King	A47F 5/08
D821,850	S *	7/2018	Tyrer	D8/354
D829,216	S *	9/2018	Belitz	D14/447
10,084,499	B2 *	9/2018	Bacallao	H04B 1/3877
D831,876	S *	10/2018	Moon	D26/87
2002/0033436	A1 *	3/2002	Peng	F16M 11/10 248/284.1
2002/0148935	A1	10/2002	Chambers	
2003/0041631	A1	3/2003	Yin	
2006/0233601	A1	10/2006	Crain et al.	
2007/0007412	A1	1/2007	Wang	
2008/0079388	A1	4/2008	Samowsky et al.	
2008/0169393	A1	7/2008	Wang et al.	
2008/0283694	A1 *	11/2008	VanLanen	F16M 11/10 248/133
2010/0039762	A1 *	2/2010	Watson	G06F 1/1607 361/679.21
2011/0157805	A1	6/2011	Mi et al.	
2012/0091086	A1 *	4/2012	Gregory	A47B 96/067 211/86.01
2013/0092805	A1	4/2013	Frunk	
2013/0093386	A1	4/2013	Tsai et al.	
2013/0153720	A1	6/2013	Petruskavich	
2013/0161054	A1	6/2013	Allison et al.	
2013/0278050	A1	10/2013	Maier et al.	
2013/0320163	A1 *	12/2013	Wong	F16M 13/022 248/205.1
2014/0028243	A1	1/2014	Rayner	
2014/0091193	A1	4/2014	Simon	
2015/0041622	A1	2/2015	Mulhern et al.	
2015/0070839	A1	3/2015	Johnson	
2015/0144754	A1	5/2015	Elharar	
2015/0201113	A1	7/2015	Wood	
2015/0289396	A1	10/2015	Hwang et al.	
2015/0329062	A1	11/2015	Ackeret et al.	
2016/0176357	A1	6/2016	Maslakow	
2016/0204636	A1	7/2016	Allen et al.	
2017/0058572	A1	3/2017	Avganim	
2017/0268716	A1	9/2017	Hoyda et al.	
2017/0339937	A1	11/2017	Erdmann	
2017/0347780	A1	12/2017	Bacallao et al.	
2018/0197389	A1	7/2018	Grant et al.	
2018/0229093	A1 *	8/2018	Givens	A63B 63/083

OTHER PUBLICATIONS

vGuard, “vG-SDM003 Square Security Display Magnetic Mounting Holder for Cell Phone”, WelGaurd.com, first accessed on May 27, 2016; 7 pages.

vGuard, “vG-SDM001 Small Oval Security Display Magnet Mount + Pull Box tehter”, AliExpress.com, first accessed on May 27, 2016; 2 pages.

vGuard, “vG-SDM004 Small Round Security Display Magnet Mount + Pull Box”, WelGaurd.com, first accessed on May 27, 2016; 6 pages.

AnchorPad, “vRT Medium Retractable Tether with 29.5 Inch Cable for iPods & iPhones”, Amazon.com, first accessed on May 27, 2016; 5 pages.

Maurerpe, “Wall Mount for Vtech 6419 Cordless Phone”, MakerBot Thingiverse, Apr. 20, 2013; 6 pages.

Generic, “Television/Air Conditioner Remote Control Holder Wall Mount-Storage Box”, Amazon.com, first accessed on May 27, 2016; 6 pages.

ZAZZ, “ZAZZ Wall Mount for iPad/Kindle and Tablets (Black)”, Amazon.com, first accessed on May 27, 2016; 5 pages.

“Plastic Sensor 2.0 Wall Mount Stand Holder for Zbox One Kinect 2.0—Black”, Deal Extreme, DX.com, first accessed on May 28, 2016; 4 pages.

Sea-Dog, “Sea-Dong Removable Table Brackets—Stainless Steel”, DownwindMarine.com, first accessed on May 28, 2016; 1 page.

“Series Accessories: Developed for your Dynaudio loudspeakers”, Dynaudio.com, first accessed on May 28, 2016; 6 pages.

“Video Mount Products Vented Wall Mount Shelf”, CableOrganizer.com, first accessed on May 28, 2016; 3 pages.

“Cell Phone Wall Charger Adapter Charging Holder Hanging Support (2-Piece)”, first accessed on May 28, 2016; 2 pages.

“Mid-Century Meets Modern: Gidloof Originals—Tiagoson”, Design-Milk.com, Mar. 4, 2013; 14 pages.

Non-Final Office Action for U.S. Appl. No. 15/657,693, dated Mar. 22, 2018.

Notice of Allowance in U.S. Appl. No. 29/572,493, dated Dec. 27, 2017; 8 pages.

Tram-browning, “L-Bracket 1255 3/4 Hole Stainless Steel NMO 3/4 Hole Mount L Bracket Mobile Antennas Motorola Kenwood Vertex HYT for UHF VHF Coam NMO Mount Cable Mobile Antennas Car Truck Hood install by tram-browning”, Amazon.com, first accessed on May 27, 2016; 5 pages.

10 Units crank angle bracket plastic frame angular DIY model accessories, AliExpress.com, first accessed May 27, 2016; 12 pages.

Repe, “High Rated Brush Coating Finish Plastic Composite Railing Metal L Shape WPC Clip Accessory”, TimberCompositeDecking.com, first accessed May 27, 2016; 2 pages.

Product Photos, DeckMaster.com, first accessed May 27, 2016; 10 pages.

Profis, Sharon, “How to mount your smartphone on a tripod (DIY)”, CNET.com, Mar. 26, 2014; 5 pages.

Corner Bracket Levelers, 4 pack, Woodcraft.com, Woodcraft Supply LLC, first accessed on Jun. 29, 2016; 2 pages.

HighPoint Corner Bracket Levelers 4-piece, Woodcraft.com, Woodcraft Supply LLC, first accessed on Jun. 29, 2016; 2 pages.

Pack of 10 Heavy Duty Corner Braces 50mm Angle Bracket F Plate New, Ebay.com, White Hinge Ltd, first accessed on Jun. 29, 2016; 4 pages.

Screw-on Corner Braces, 4-Pack, Rockler.com, Rockler Woodworking and Hardware, first accessed on Jun. 29, 2016; 6 pages.

Glide Brackets and Systems, USFutaba.com, U.S. Futaba, Inc., first accessed on Jun. 29, 2016; 2 pages.

Corner Brace 2-1/2x2-1/2x3/4 in White Plastic, OvisOnline.com, OVIS division of WIM Corp, first accessed on Jun. 29, 2016; 4 pages.

“Inon Double Hole Rubber bushing (for fiber optic cable),” Backscatter.com, accessed on Apr. 25, 2017; 2 pages.

Redlinecarparts, “BMW 320D 99-06 Front Wishbone Bush with Bracket LH O,” Ebay.com, accessed on Apr. 24, 2017; 5 pages.

Dardytrading, “Anti-lost Pull Box Anti Theft Recoiler Retracting Display Cable Retracting Security Cable Merchandise Security Tether Security Recoiler,” DHGate.com, accessed on Apr. 24, 2017; 11 pages.

“Freedom Micro™,” MobileTechnic.com, Mobile Technologies Inc., accessed on Apr. 24, 2017; 5 pages.

“Recent RTF News and Updates: Open display, retail smartphone security devices now produced in Brazil,” RTFGlobal.com, accessed on Apr. 24, 2017; 3 pages.

Non-Final Office Action in U.S. Appl. No. 15/602,227 dated Aug. 27, 2018.

“Code Reader 2500 CR2500 512G_01 Barcode Scanner w/ Charger + Handle,” Ebay.com, accessed on Jun. 15, 2017; 4 pages.

“Wireless Laser Barcode Scanner Label Reader with Charger Base Handheld Barcode Scanning for Supermarket Shop,” DHGate.com, accessed on Jun. 15, 2017; 3 pages.

Notice of Allowance in U.S. Appl. No. 29/566,595, dated Jun. 30, 2017; 6 pages.

Notice of Allowance in U.S. Appl. No. 15/657,693 dated Jul. 6, 2018; 5 pages.

Notice of Allowance in U.S. Appl. No. 15/602,227 dated Jan. 11, 2019; 11 pages.

* cited by examiner

Primary Examiner — Ian Simmons

Assistant Examiner — Yolanda Robinson

(74) *Attorney, Agent, or Firm* — Schmeiser, Olsen & Watts LLP

(57) **CLAIM**

The ornamental design for a wall mount fixture, as shown and described.

DESCRIPTION

FIG. 1 is a front perspective view of a wall mount fixture, in accordance with an embodiment;

FIG. 2 is a rear perspective view of the wall mount fixture of FIG. 1;

FIG. 3 is a bottom perspective view of the wall mount fixture of FIG. 1;

FIG. 4 is a front view of the wall mount fixture of FIG. 1;

FIG. 5 is a rear view of the wall mount fixture of FIG. 1;

FIG. 6 is a top view of the wall mount fixture of FIG. 1;

FIG. 7 is a bottom view of the wall mount fixture of FIG. 1;

FIG. 8 is a right side view of the wall mount fixture of FIG. 1;

FIG. 9 is a left side view of the wall mount fixture of FIG. 1;

FIG. 10 is a front perspective view of a wall bracket of the wall mount fixture;

FIG. 11 is a front view of a wall bracket of the wall mount fixture;

FIG. 12 is a rear view of a wall bracket of the wall mount fixture;

FIG. 13 is a top view of a wall bracket of the wall mount fixture;

FIG. 14 is a bottom view of a wall bracket of the wall mount fixture;

FIG. 15 is a right side view of a wall bracket of the wall mount fixture;

FIG. 16 is a left side view of a wall bracket of the wall mount fixture;

FIG. 17 is a front perspective view of a base bracket of the wall mount fixture;

FIG. 18 is a front view of a base bracket of the wall mount fixture;

FIG. 19 is a rear view of a base bracket of the wall mount fixture;

FIG. 20 is a top view of a base bracket of the wall mount fixture;

FIG. 21 is a bottom view of a base bracket of the wall mount fixture;

FIG. 22 is a right side view of a base bracket of the wall mount fixture;

FIG. 23 is a left side view of a base bracket of the wall mount fixture; and,

FIG. 24 is a perspective view of a wall mount fixture.

The broken lines showing in FIG. 24 of a mobile computing device base, a mobile computing device and mount and cord illustrate an environment only and form no part of the claimed design.

1 Claim, 11 Drawing Sheets

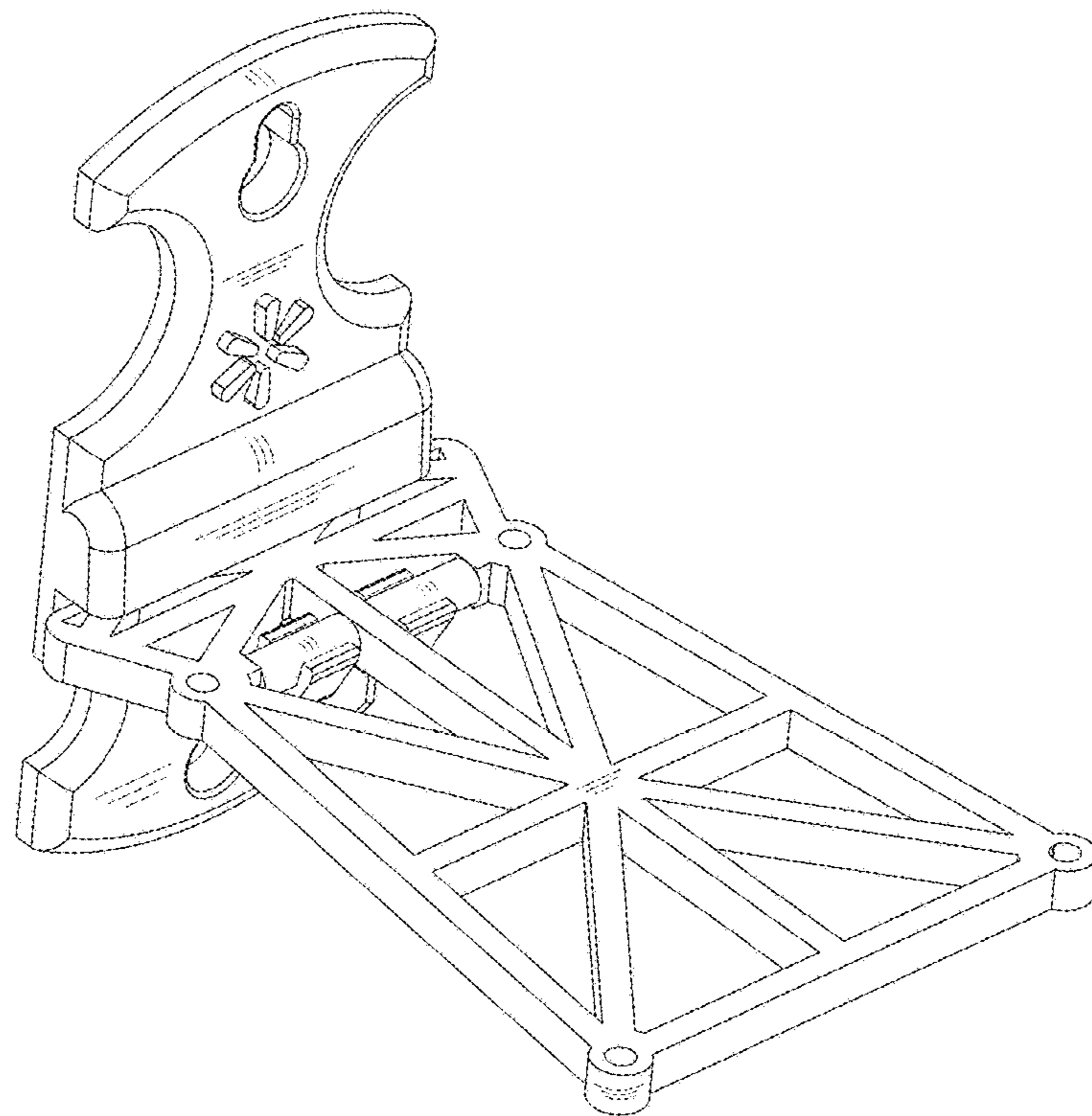


FIG. 1

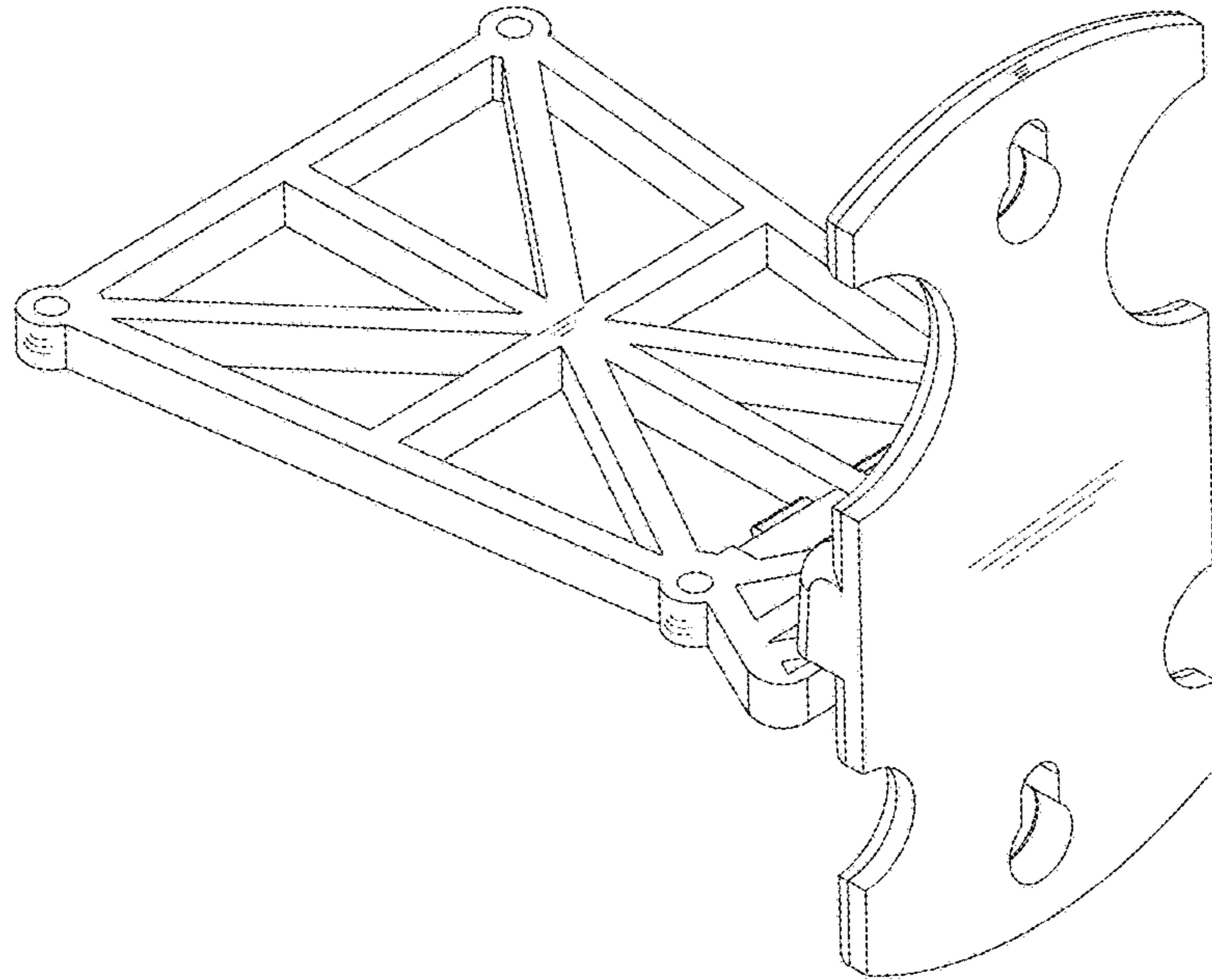


FIG. 2

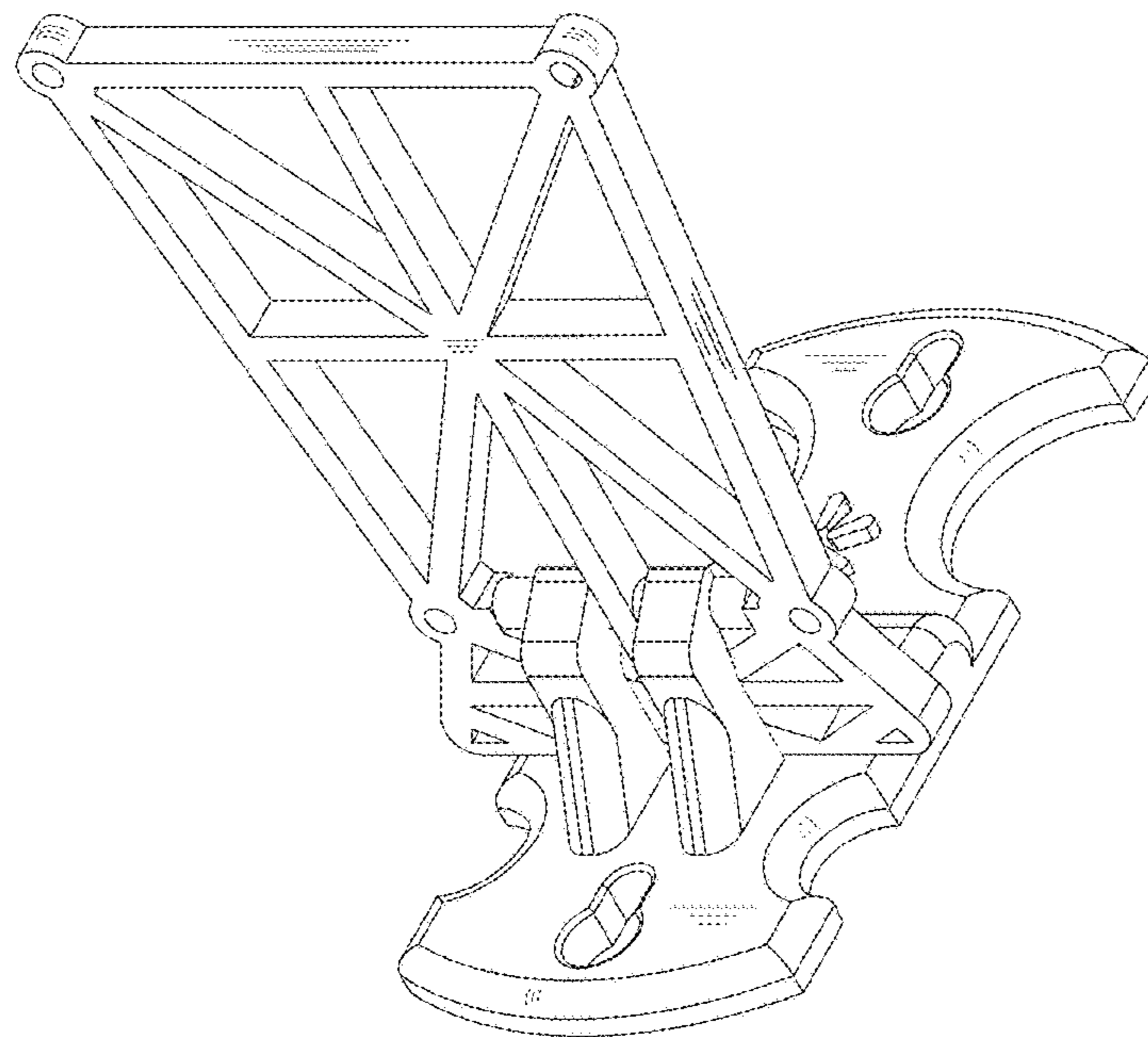


FIG. 3

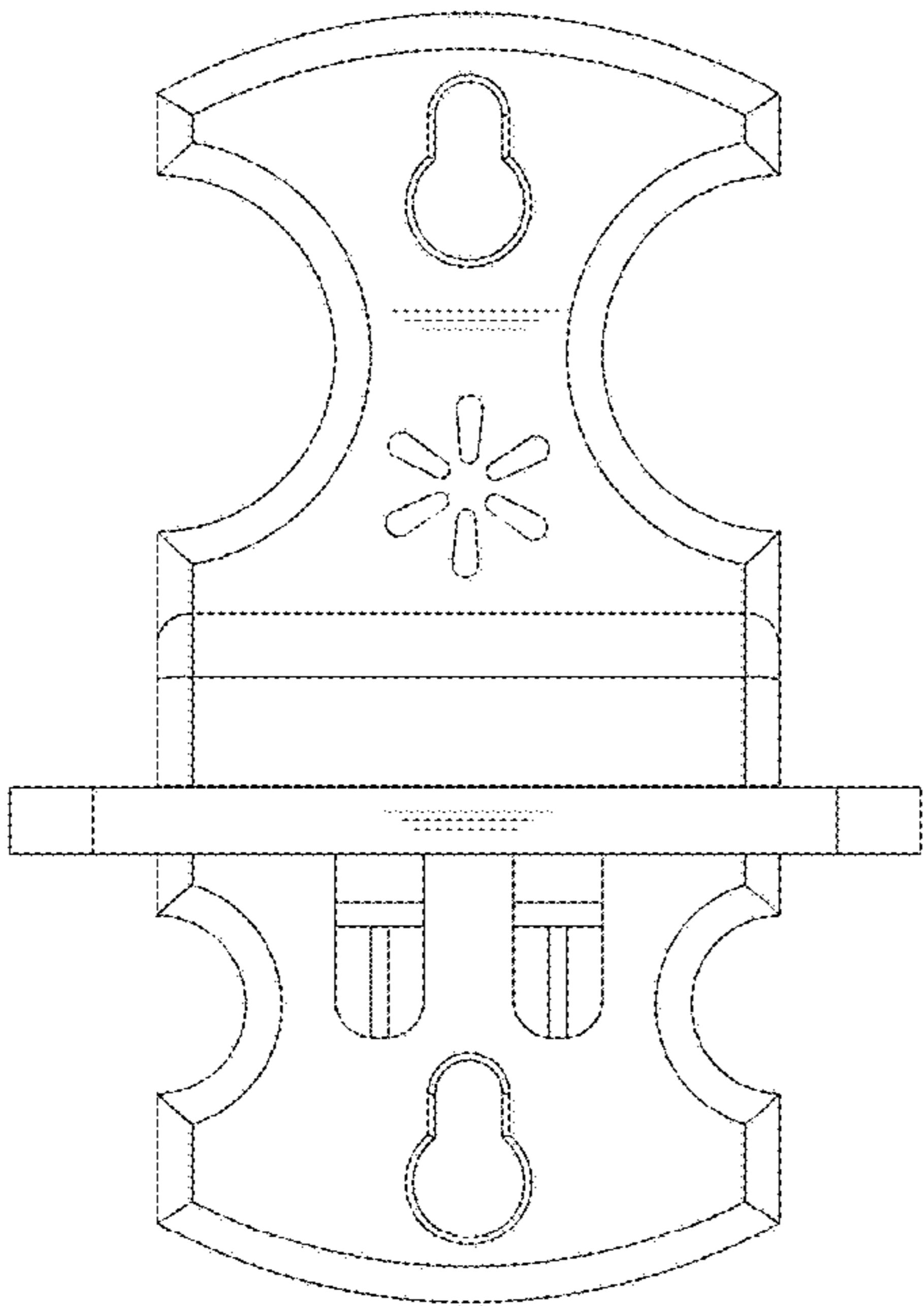


FIG. 4

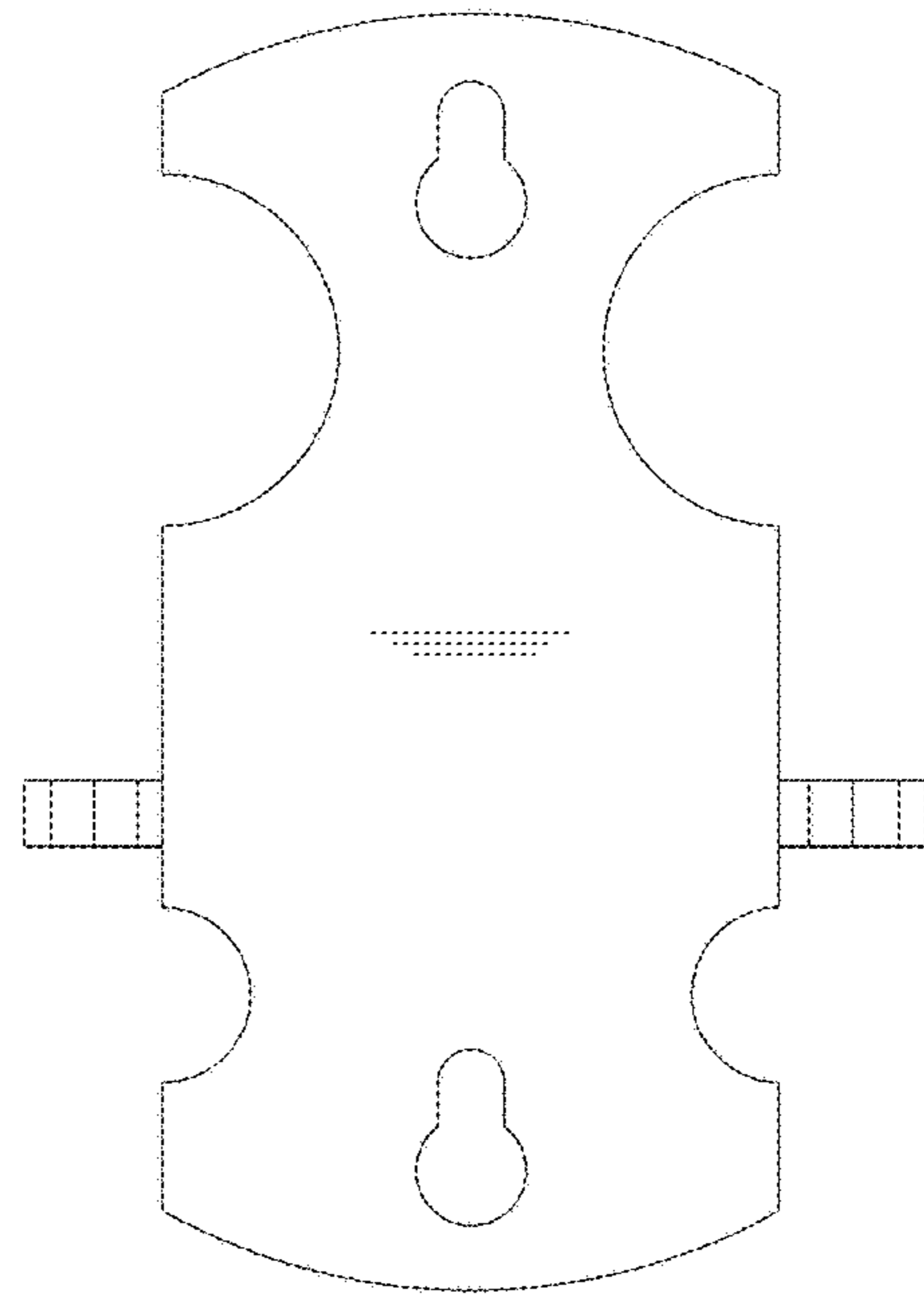


FIG. 5

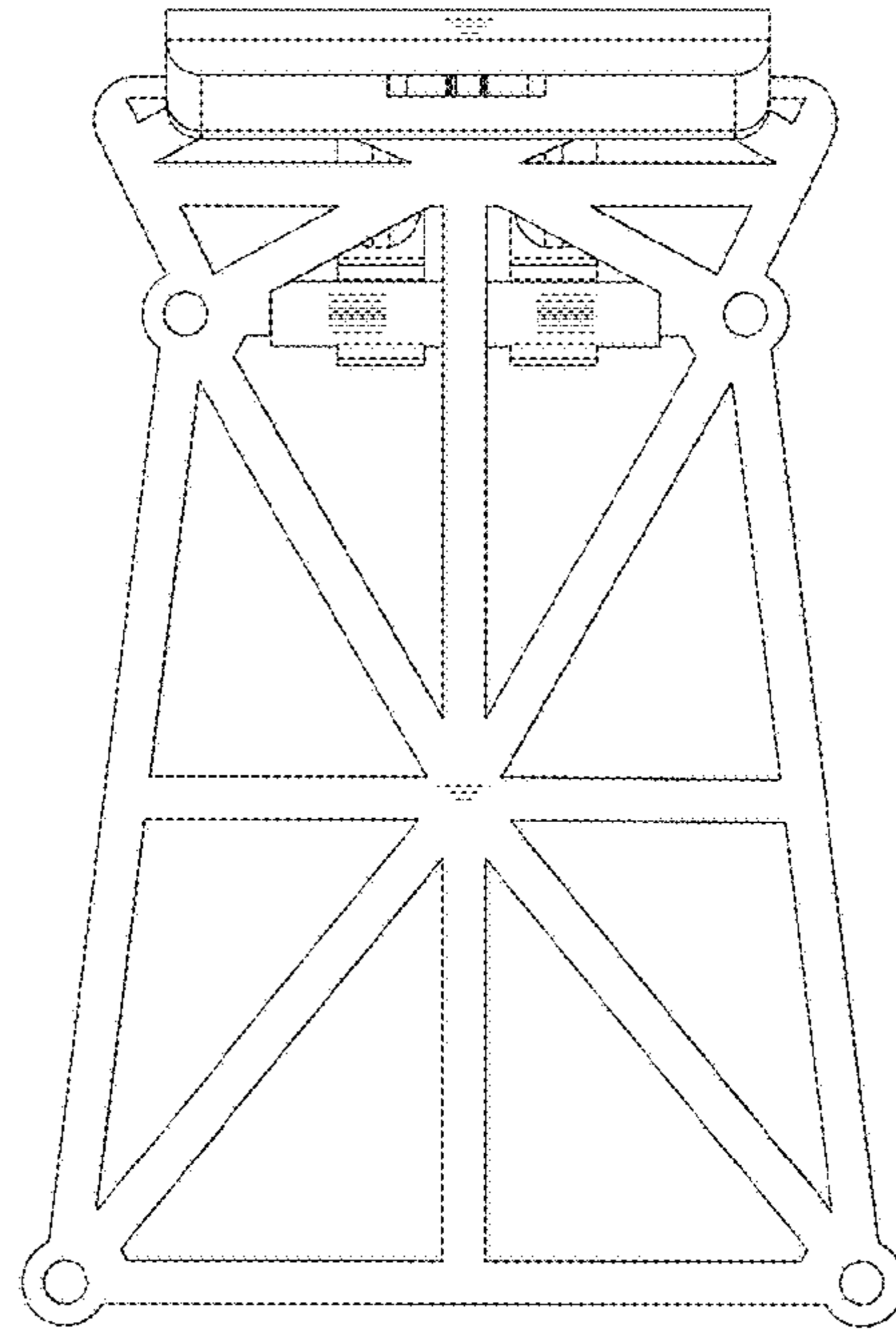


FIG. 6

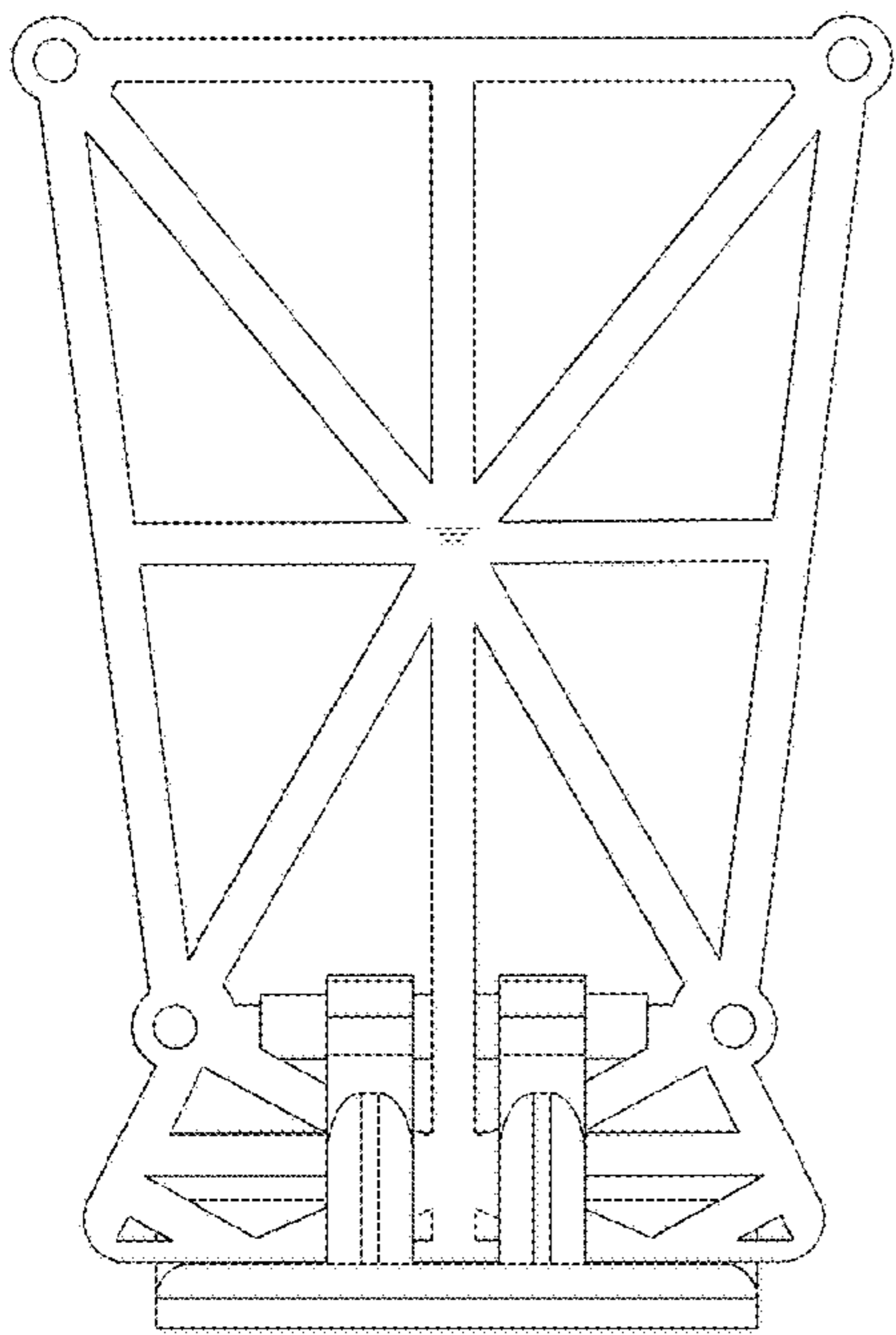
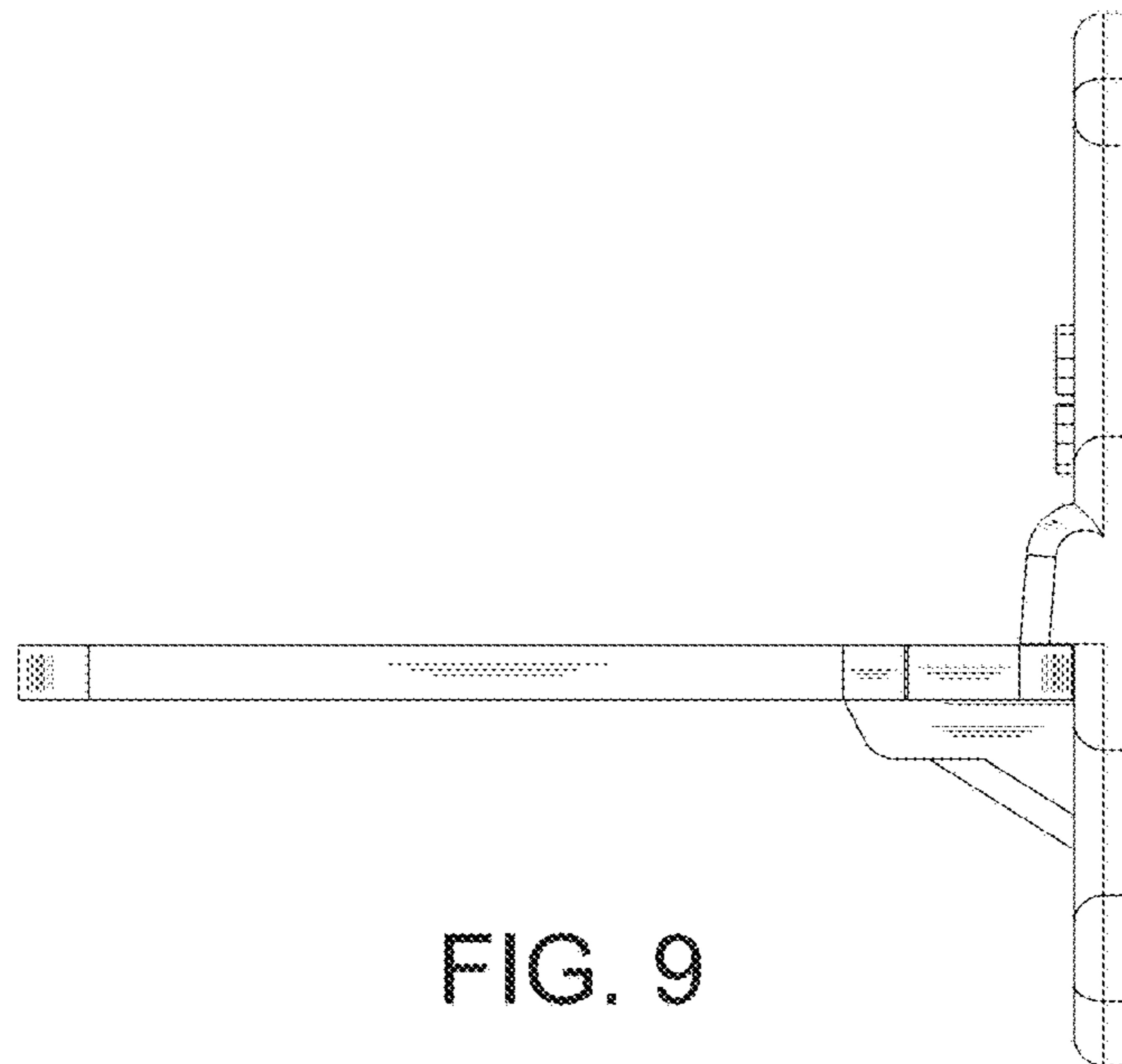
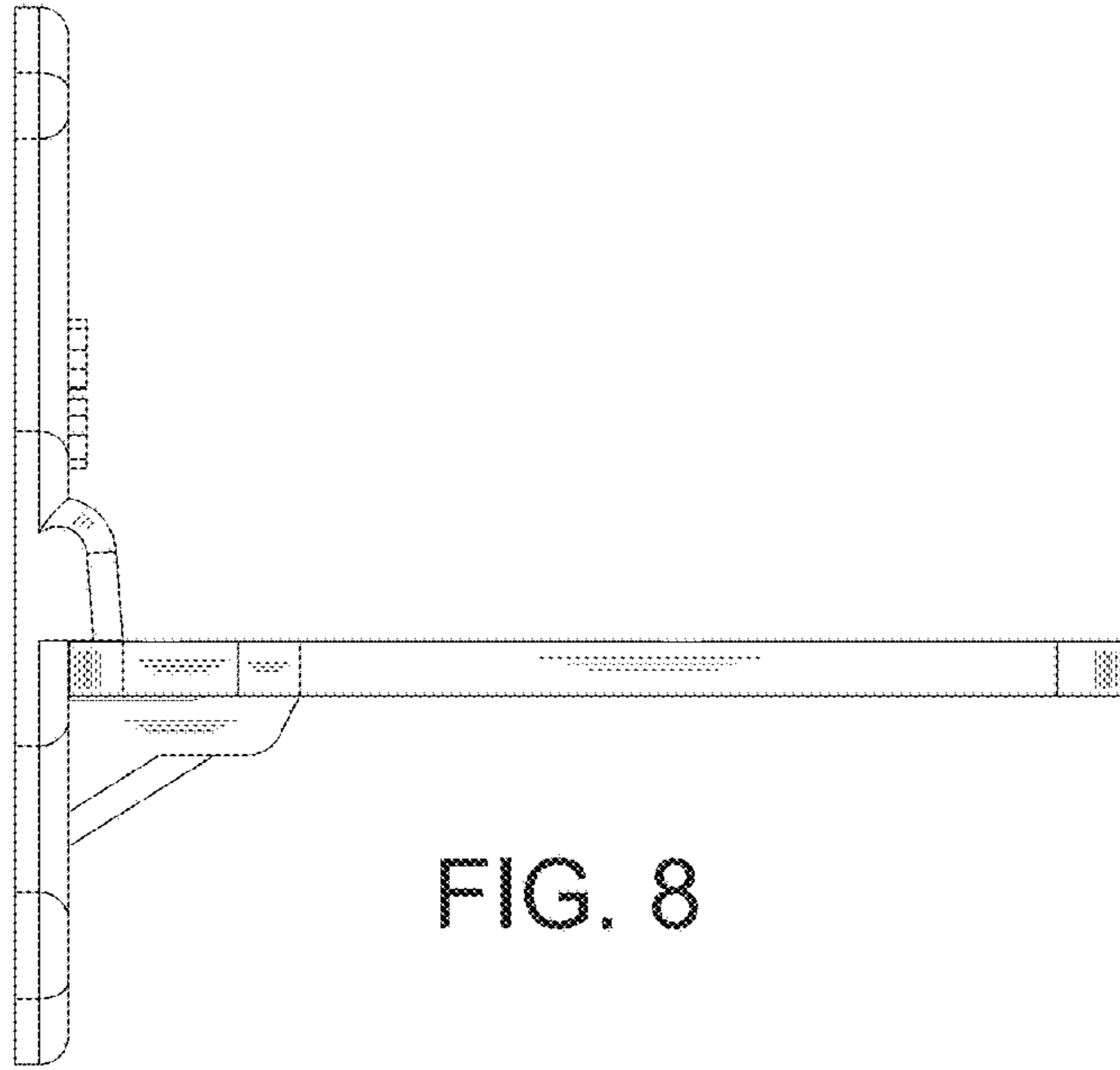


FIG. 7



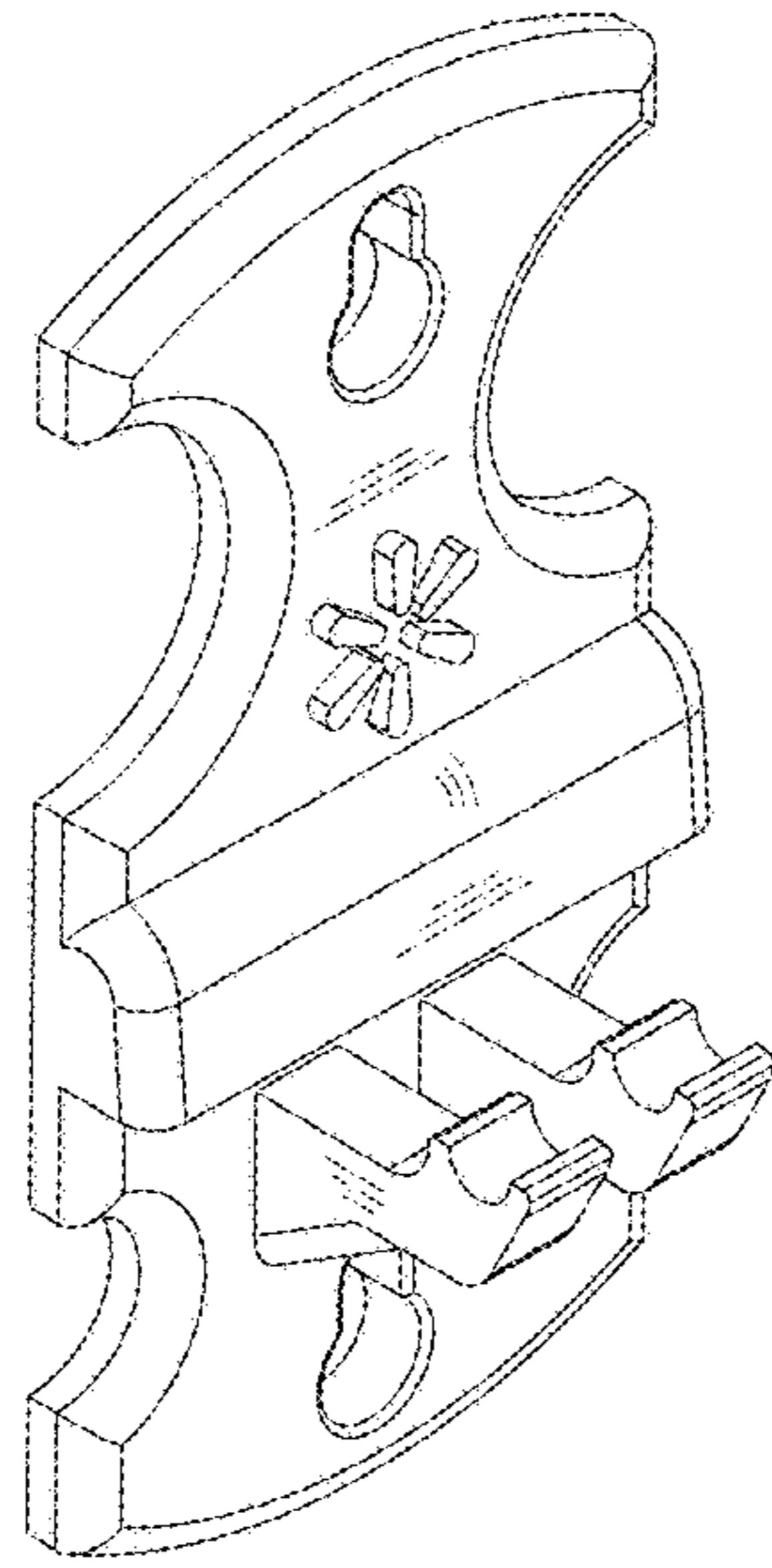


FIG. 10

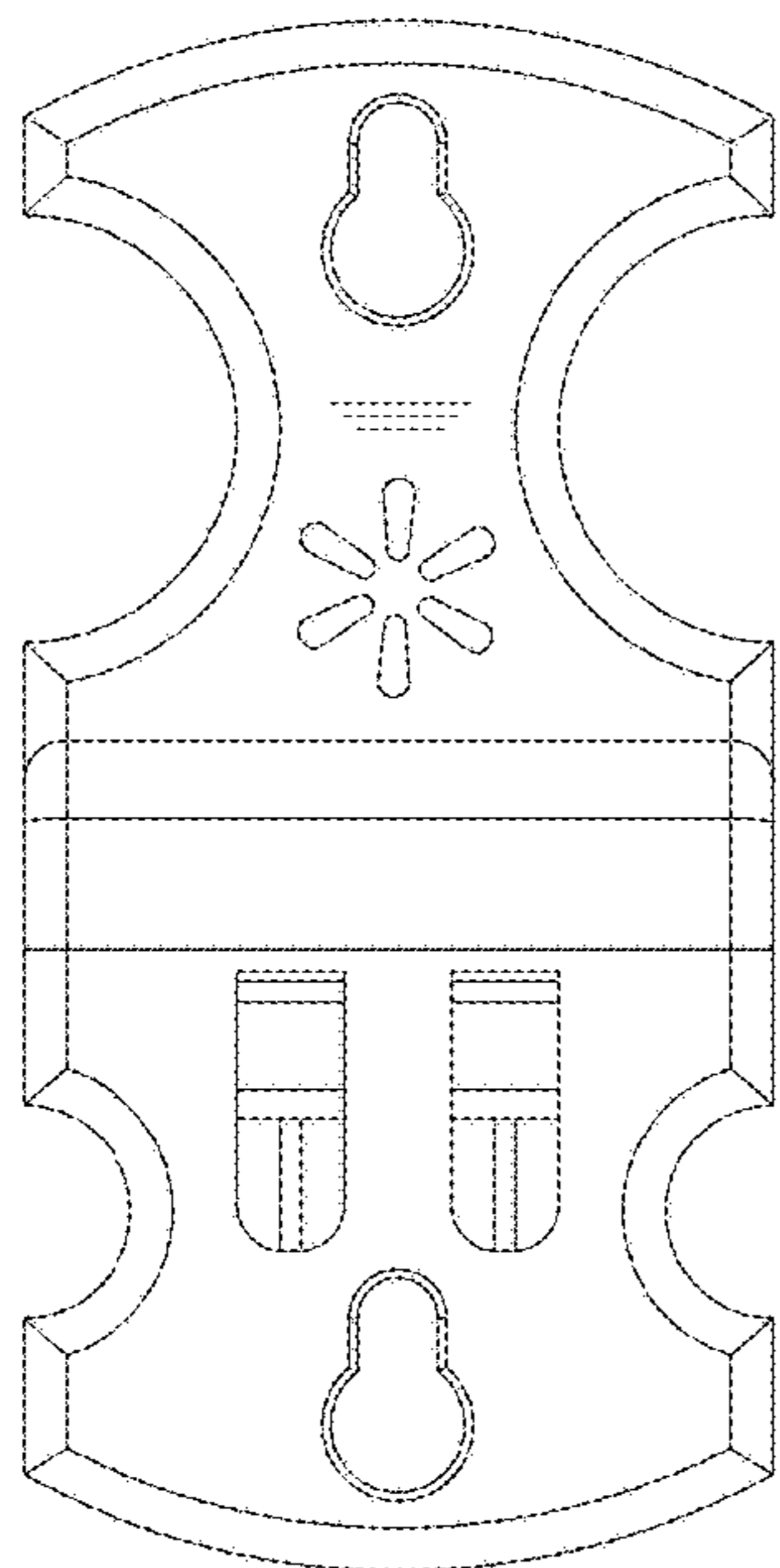


FIG. 11

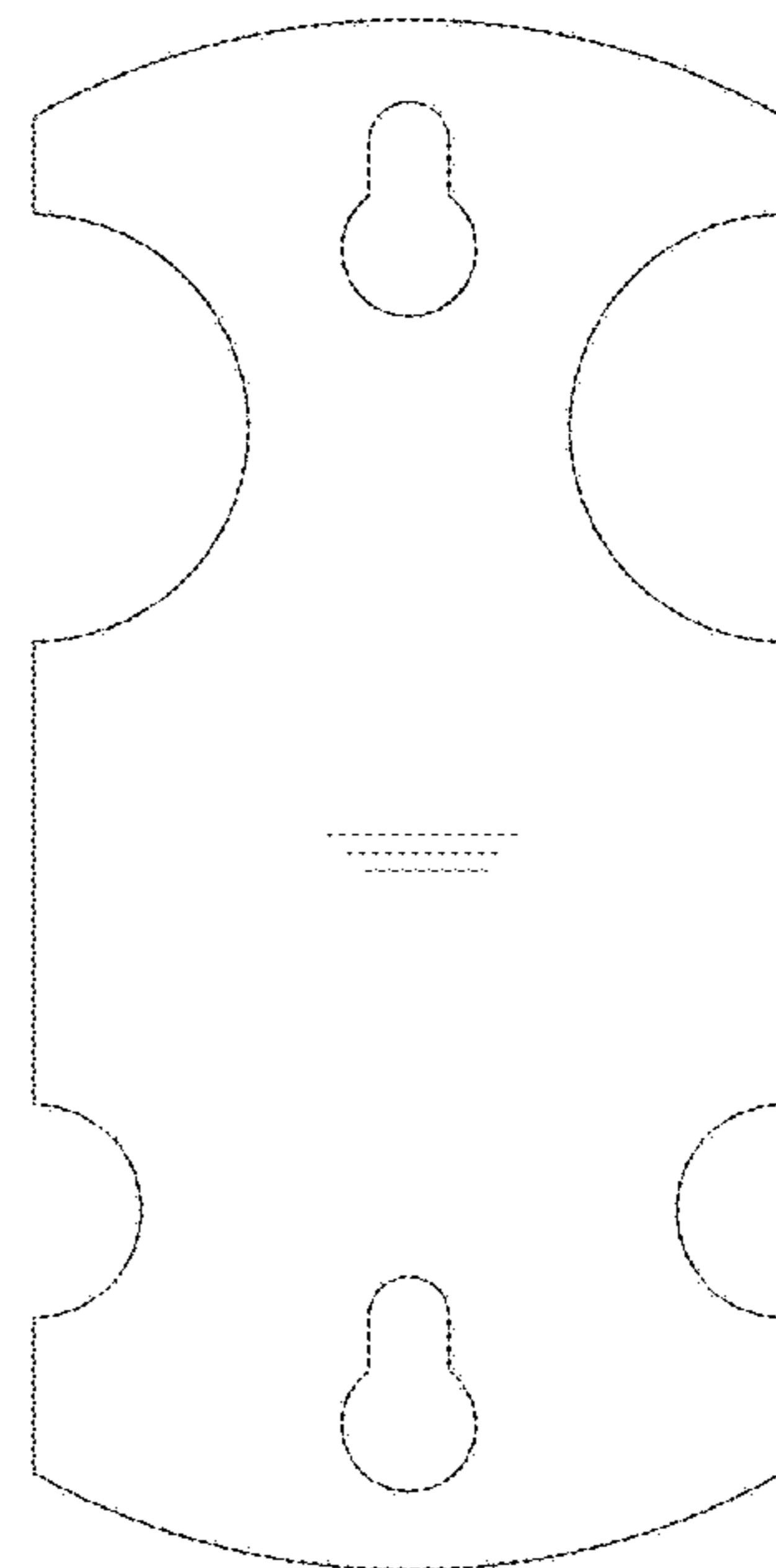


FIG. 12

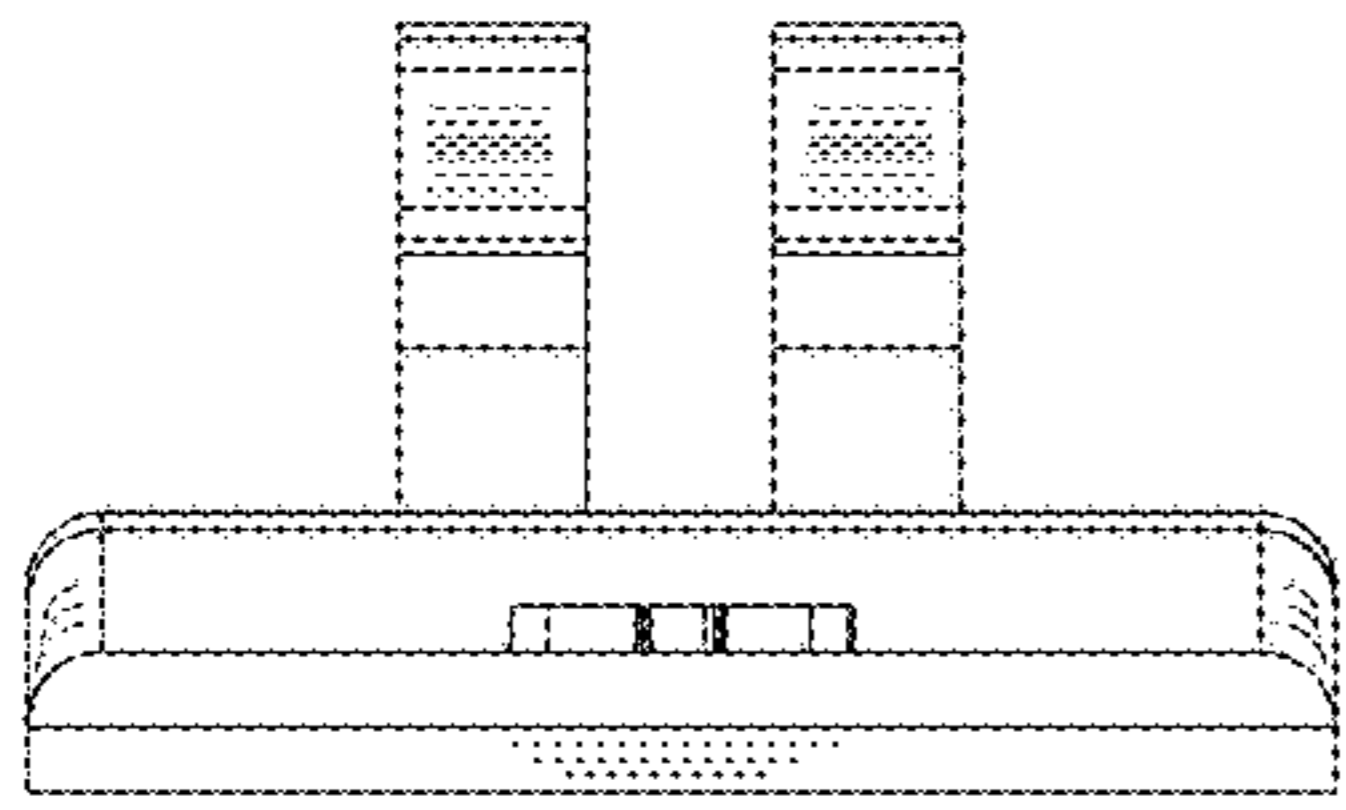


FIG. 13

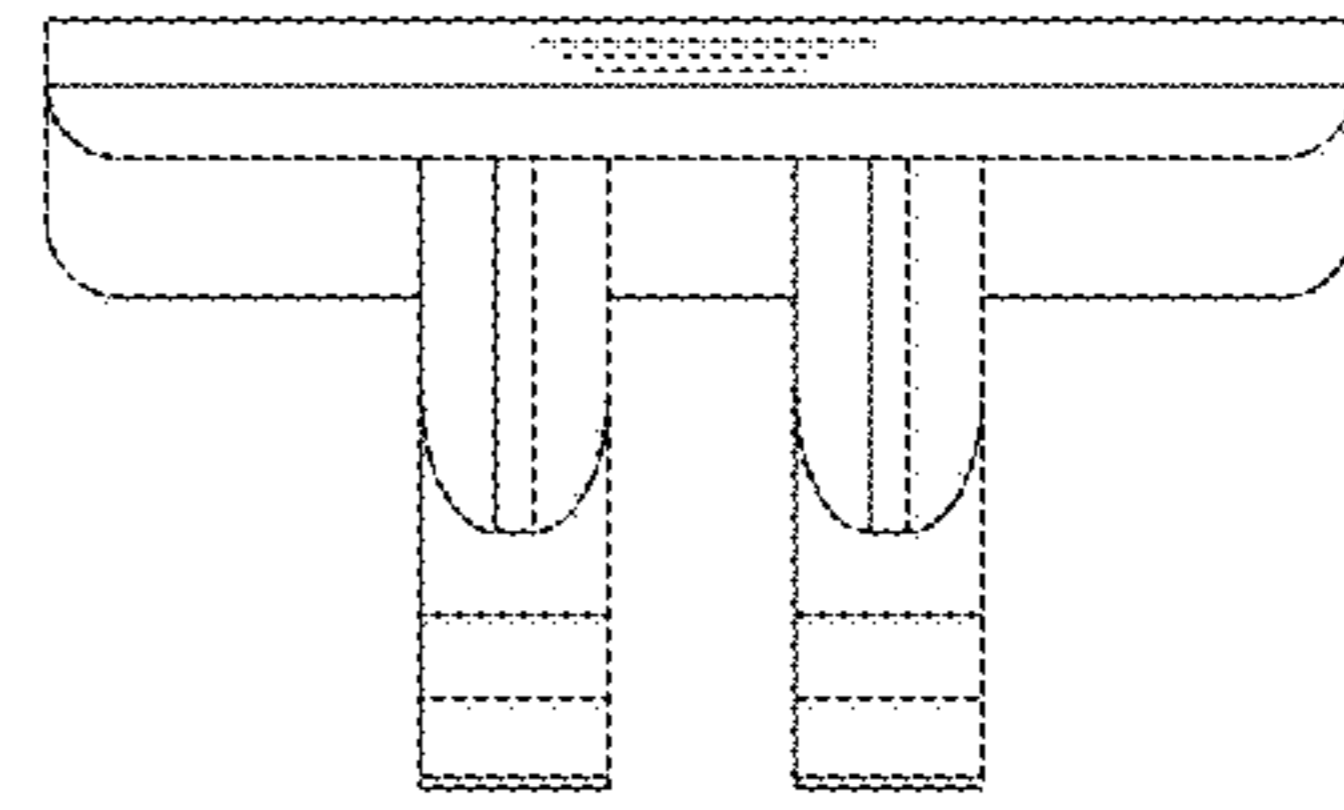


FIG. 14

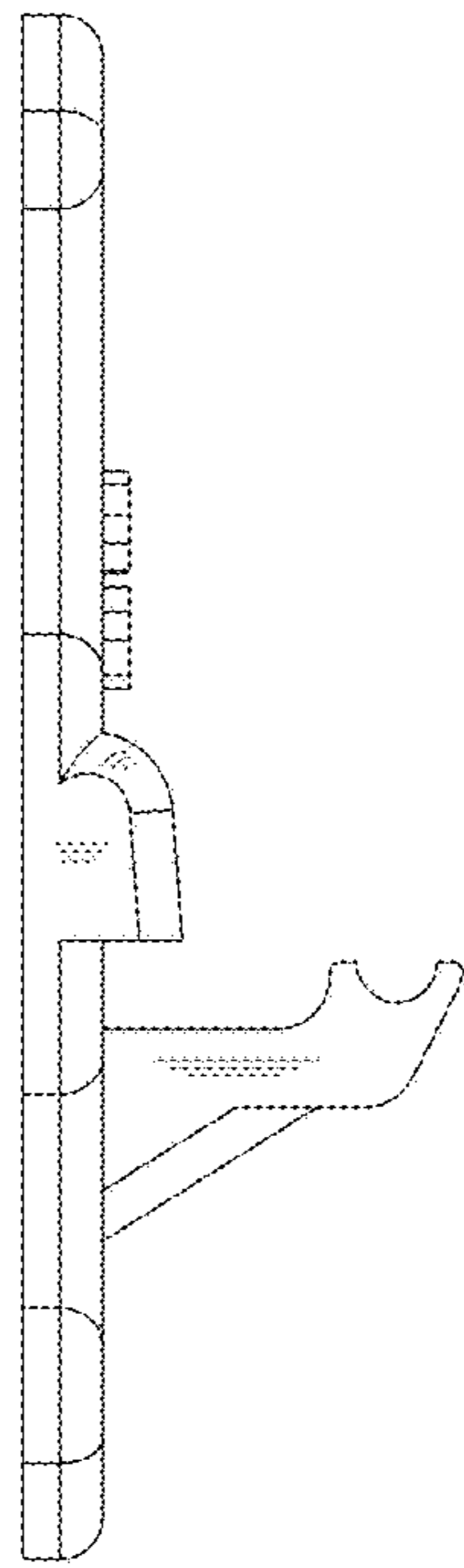


FIG. 15

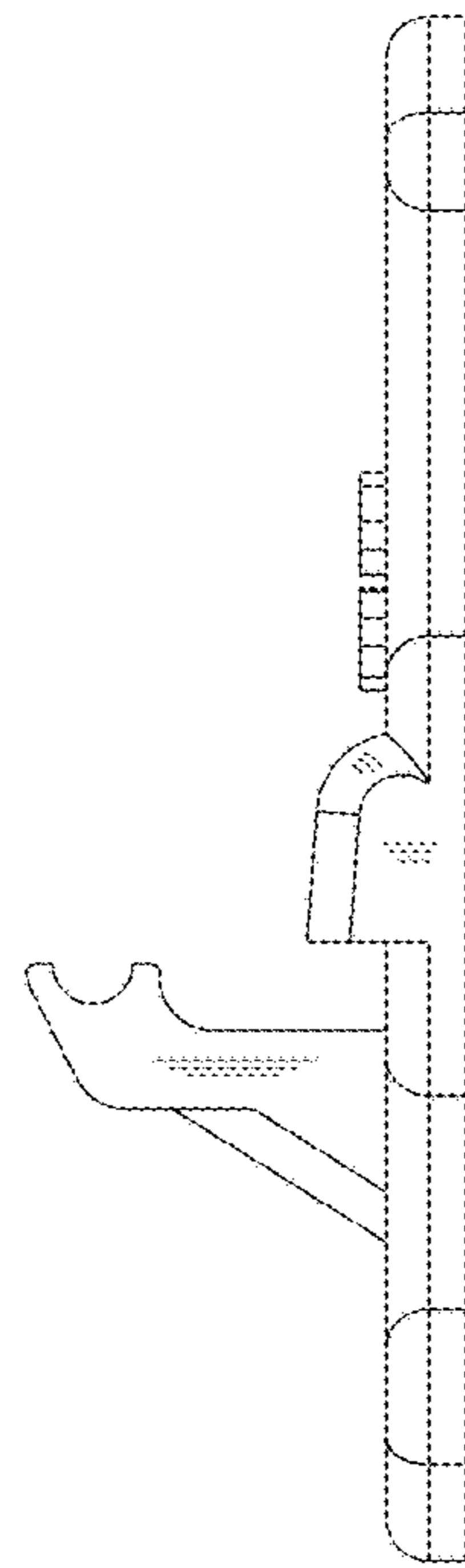


FIG. 16

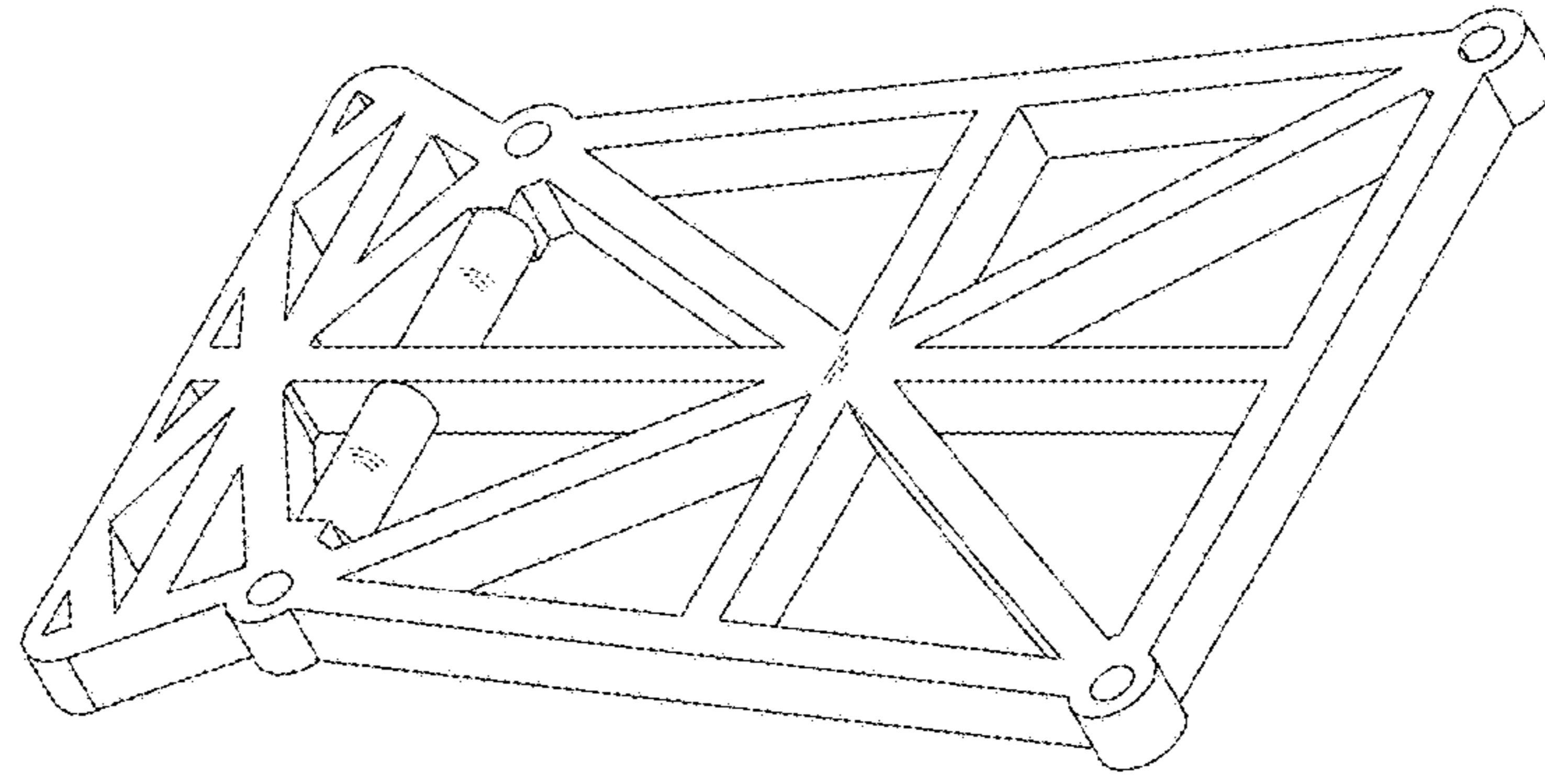


FIG. 17

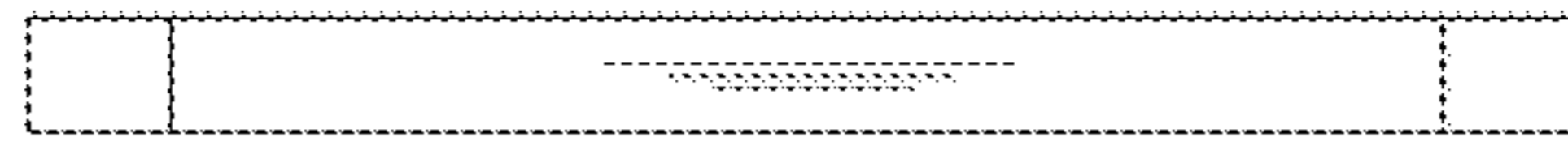


FIG. 18

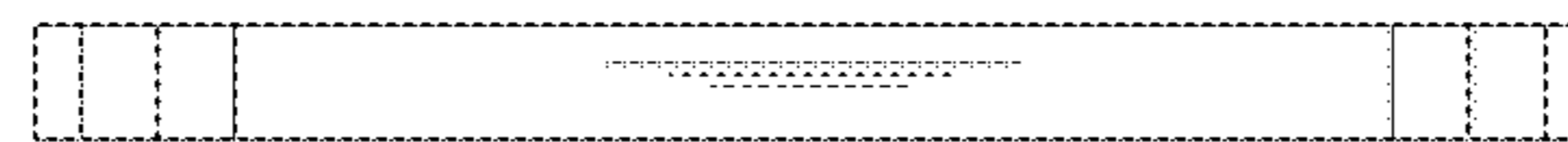


FIG. 19

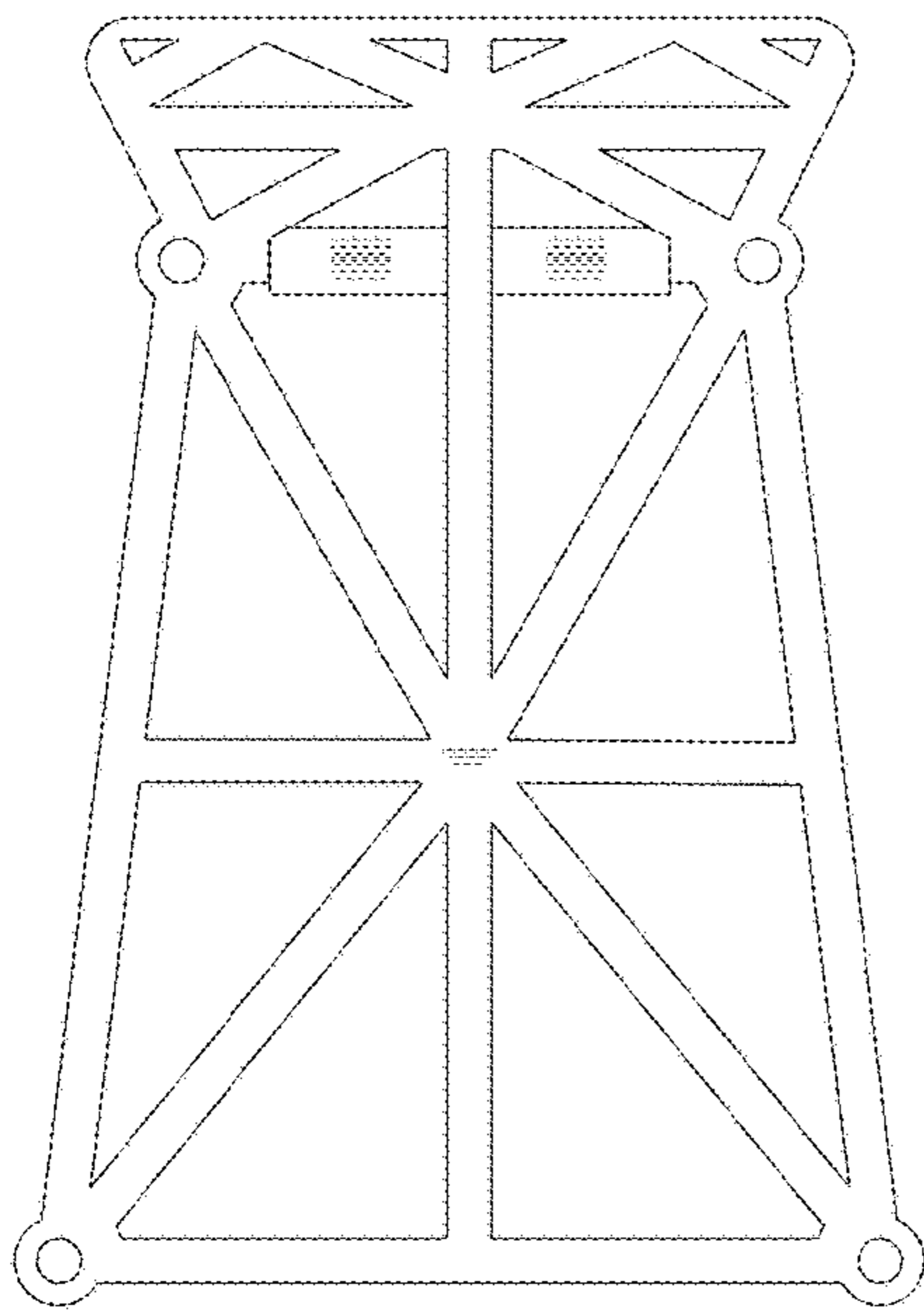


FIG. 20

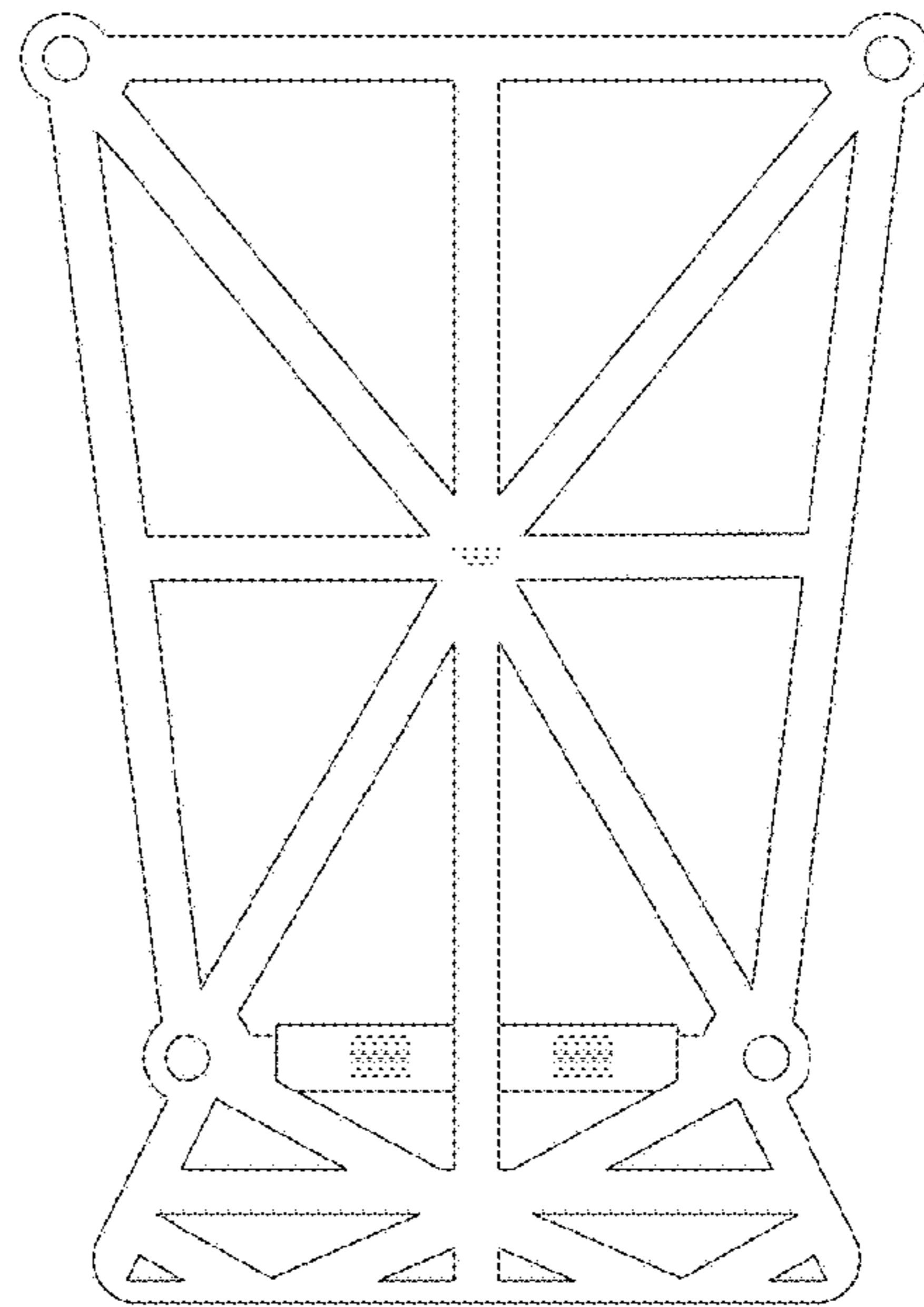


FIG. 21

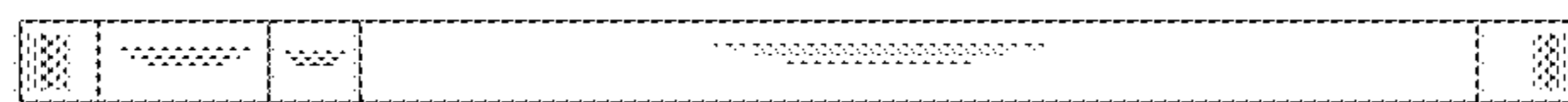


FIG. 22

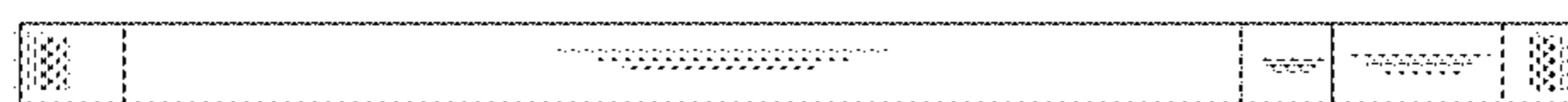


FIG. 23

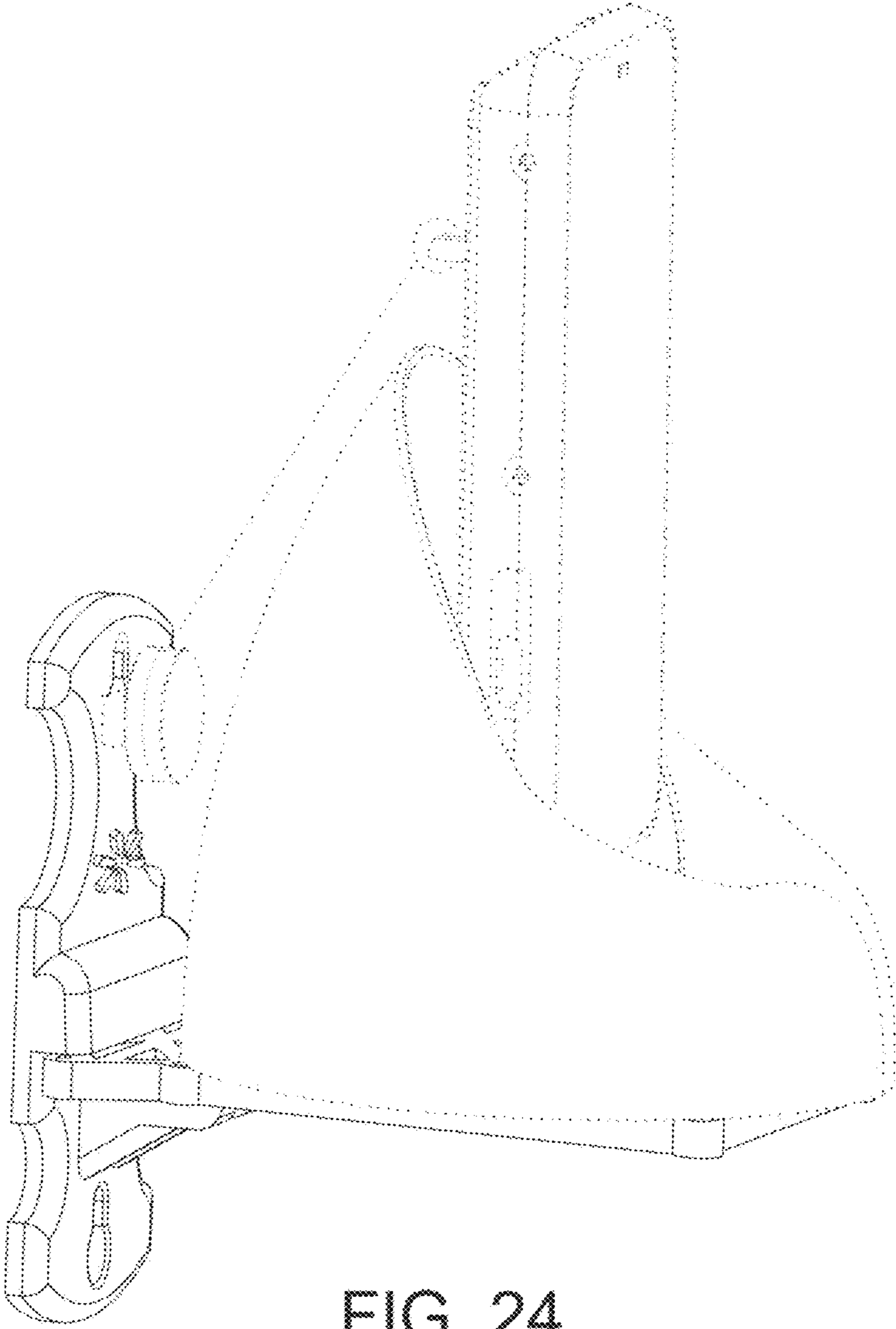


FIG. 24