



US00D853222S

(12) **United States Design Patent** (10) **Patent No.:** **US D853,222 S**
He (45) **Date of Patent:** **** *Jul. 9, 2019**

(54) **HOOK**
(71) Applicant: **Oak Leaf LLC**, Charlotte, NC (US)
(72) Inventor: **Haifeng He**, Meizhou (CN)
(73) Assignee: **OAK LEAF, LLC**, Charlotte, NC (US)
(*) Notice: This patent is subject to a terminal disclaimer.
(**) Term: **15 Years**
(21) Appl. No.: **29/571,115**
(22) Filed: **Jul. 14, 2016**

(30) **Foreign Application Priority Data**

Jun. 14, 2016 (CN) 2016 3 0243966
(51) **LOC (11) Cl.** **08-05**
(52) **U.S. Cl.**
USPC **D8/367**
(58) **Field of Classification Search**
USPC D8/367, 354, 349, 394, 372; D3/228;
224/247, 197
CPC F16L 3/13; F16L 3/26; A47G 23/0225;
A47G 25/06; A47G 1/16; A47F 5/0846;
A47F 5/02; H02G 11/003; D06F 55/00;
E04H 17/10; A45F 5/02; F16B 45/02
See application file for complete search history.

(56) **References Cited**

U.S. PATENT DOCUMENTS
2,679,998 A * 6/1954 Keller F16B 47/003
248/205.3
D364,045 S * 11/1995 Starck D8/367
D397,256 S * 8/1998 Moore D6/323
D448,654 S * 10/2001 Snell D8/367
D455,948 S * 4/2002 Zetsche D6/523

D490,694 S * 6/2004 Levine-Umans D8/363
6,749,165 B2 * 6/2004 Immerman A47G 1/17
248/205.5
6,814,335 B2 * 11/2004 Immerman A47G 1/17
248/205.5
D603,247 S * 11/2009 Harrell D8/367
D623,868 S * 9/2010 Schiestl D6/323
D645,730 S * 9/2011 Berkowitz D8/367
D659,519 S * 5/2012 Berkowitz D8/367
D667,720 S * 9/2012 Berkowitz D8/367
D697,387 S * 1/2014 Starck D8/367
D700,827 S * 3/2014 Starck D8/367
D716,133 S * 10/2014 Pan D8/367
D717,550 S * 11/2014 Harden D6/323
D723,573 S * 3/2015 Padro D14/447
D734,133 S * 7/2015 Spindler F21V 21/0808
D8/367
D771,475 S * 11/2016 Pan D8/367
(Continued)

Primary Examiner — Cynthia R Underwood
(74) *Attorney, Agent, or Firm* — Richard A. Castellano;
DNL ZITO CASTELLANO

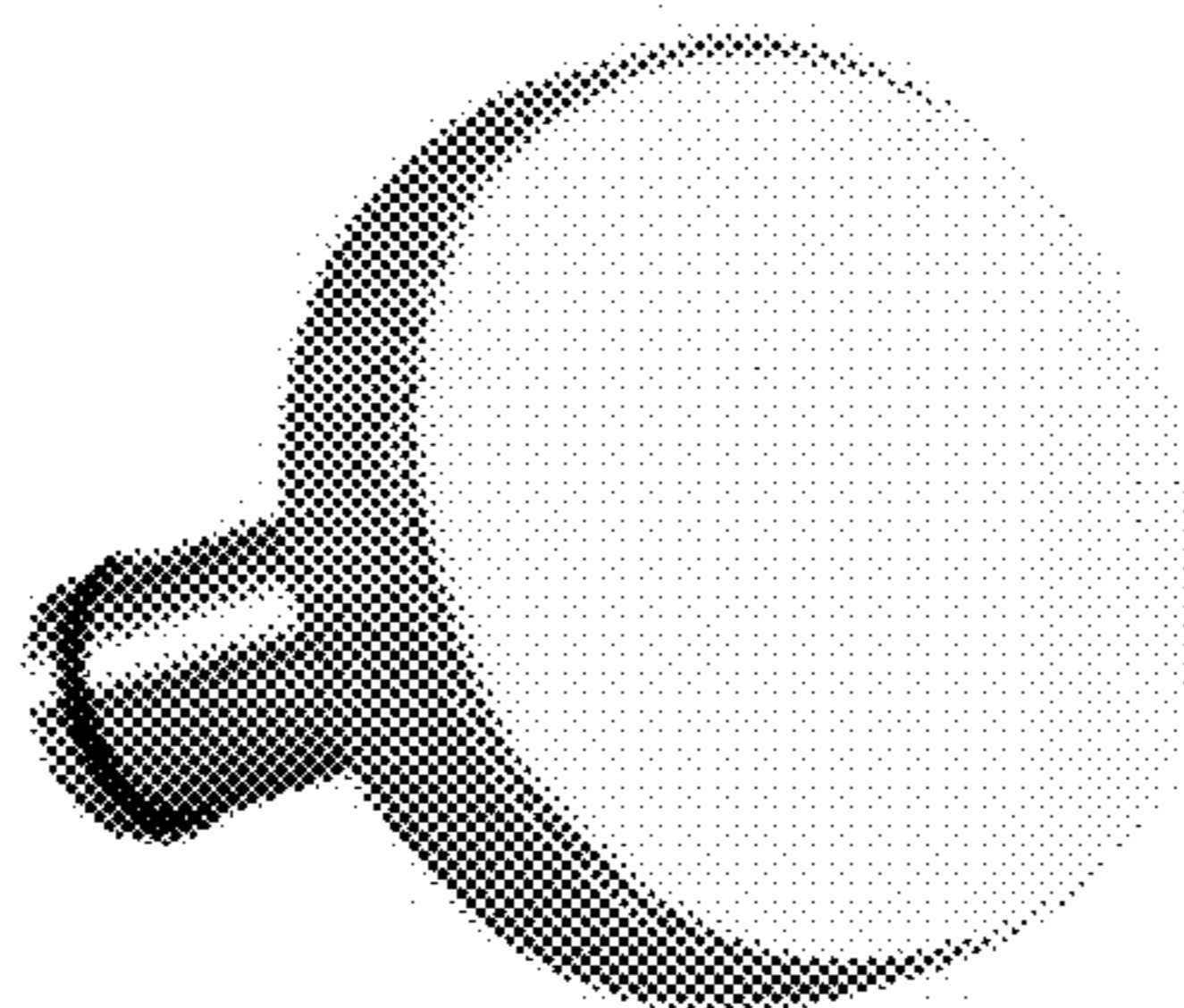
(57) **CLAIM**

The ornamental design for a hook, as shown and described.

DESCRIPTION

The patent or application file contains at least one drawing executed in color. Copies of this patent or patent application publication with color drawing(s) will be provided by the Office upon request and payment of the necessary fee.
FIG. 1 is a front view of a hook showing my new design in accordance with an embodiment;
FIG. 2 is a left side view thereof;
FIG. 3 is a right side view thereof;
FIG. 4 is a top view thereof;
FIG. 5 is a bottom view thereof; and,
FIG. 6 is a back perspective view thereof.

1 Claim, 6 Drawing Sheets
(6 of 6 Drawing Sheet(s) Filed in Color)



(56)

References Cited

U.S. PATENT DOCUMENTS

2012/0118770 A1* 5/2012 Valls F16M 11/10
206/320

* cited by examiner

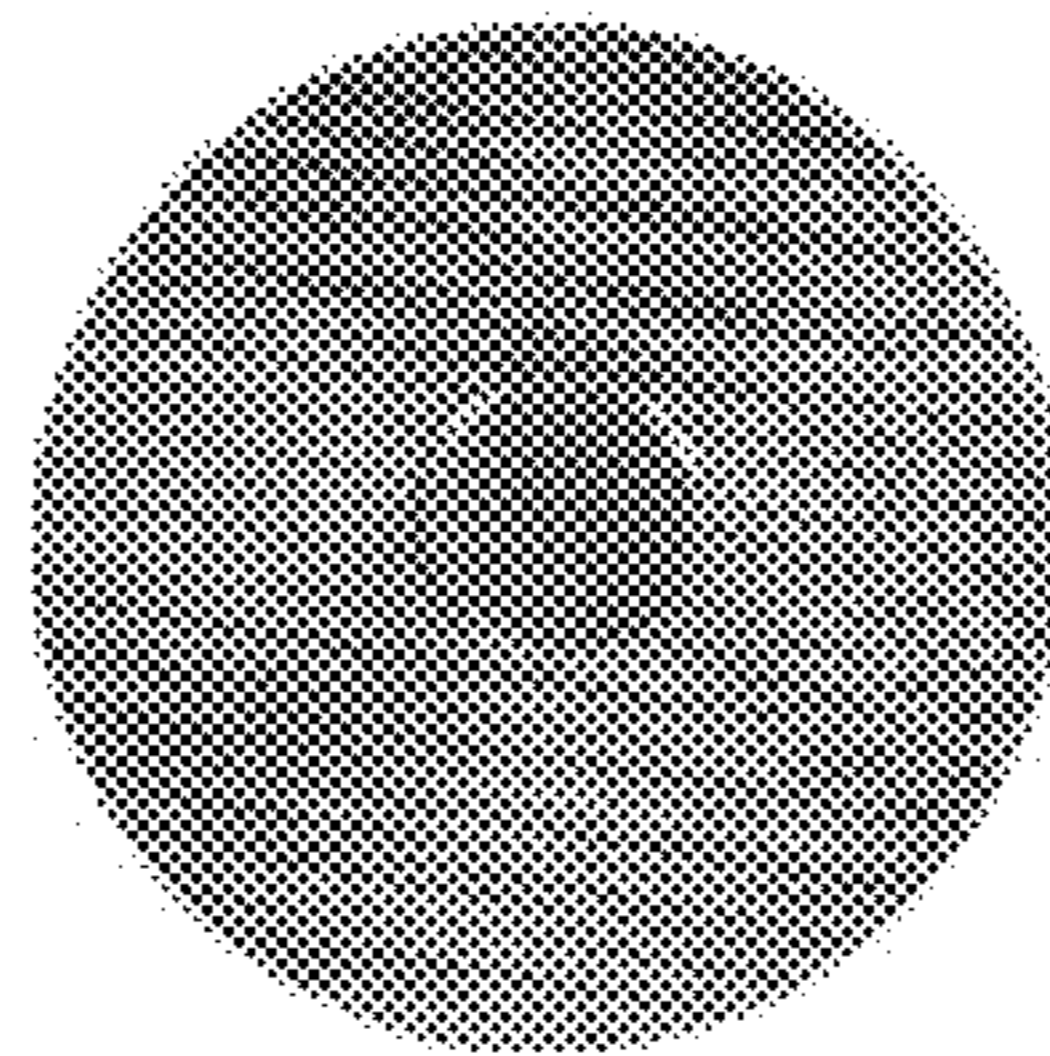


FIG. 1

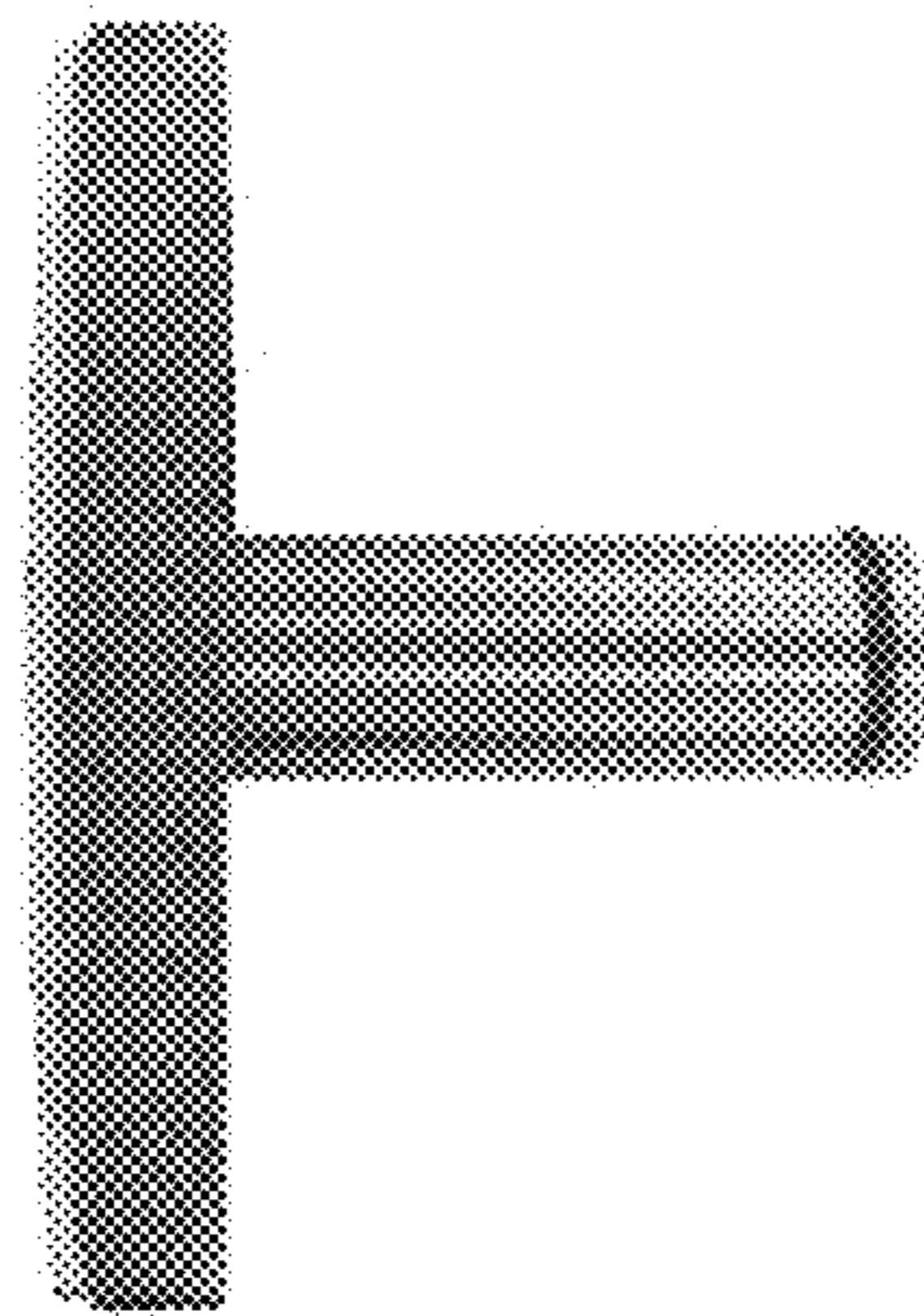


FIG.2

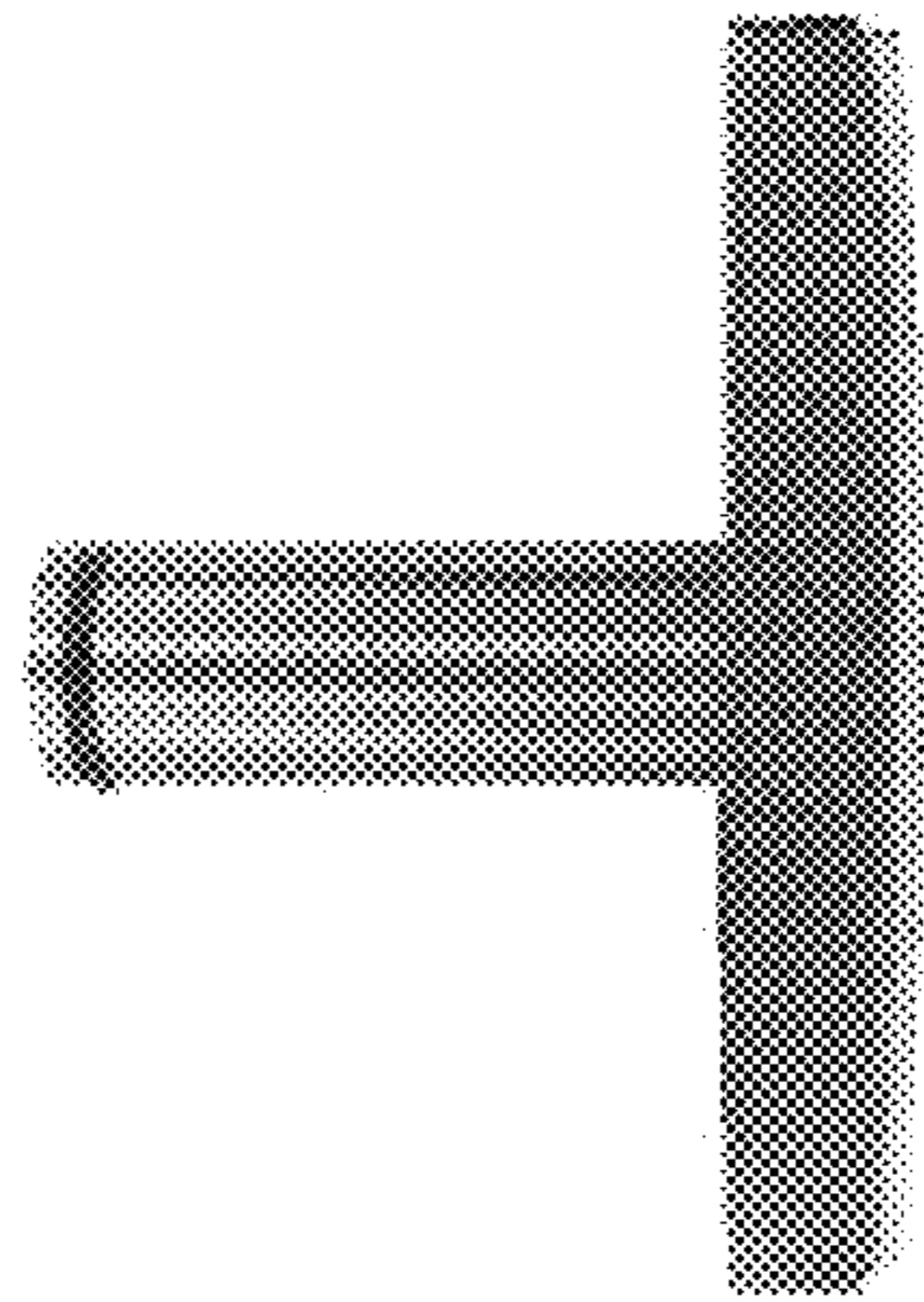


FIG.3

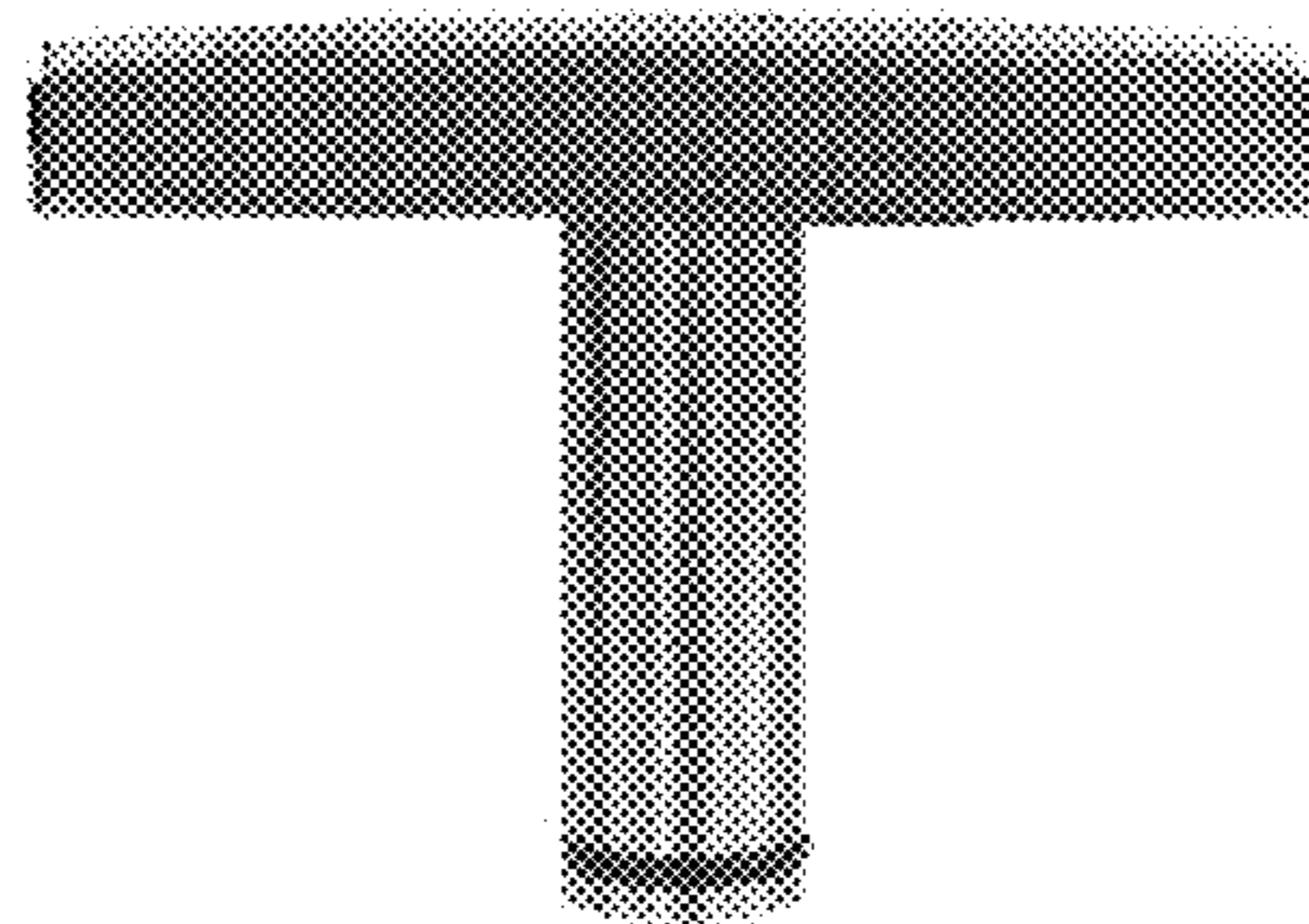


FIG.4

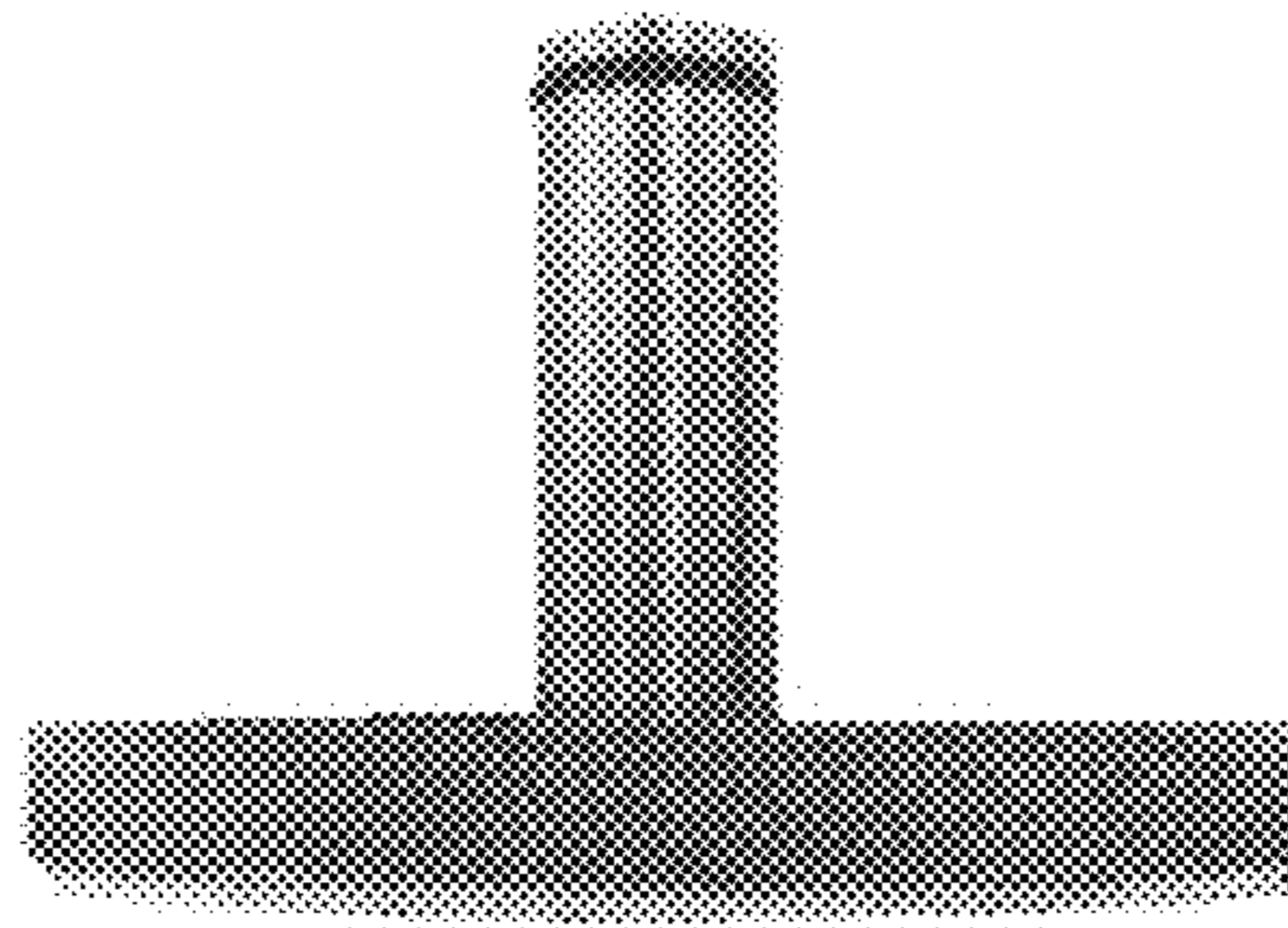


FIG.5

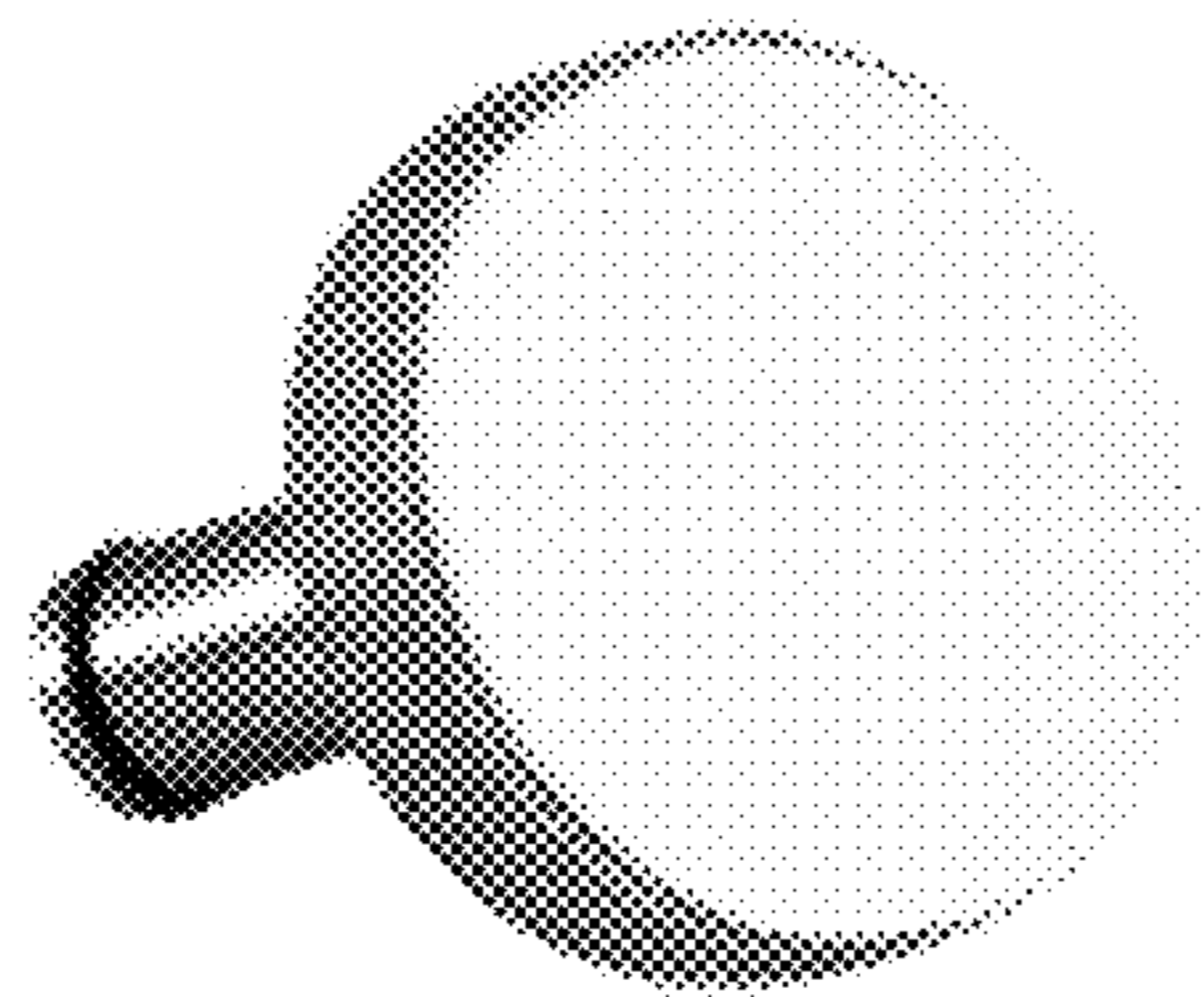


FIG.6