



US00D853221S

(12) **United States Design Patent** (10) **Patent No.:** **US D853,221 S**
Quick (45) **Date of Patent:** **** Jul. 9, 2019**

(54) **CARGO STRAP PROTECTOR**

(71) Applicant: **Matthew Maurice Quick**, Huntsville, TX (US)

(72) Inventor: **Matthew Maurice Quick**, Huntsville, TX (US)

(**) Term: **15 Years**

(21) Appl. No.: **29/638,450**

(22) Filed: **Feb. 27, 2018**

(51) **LOC (11) Cl.** **08-05**

(52) **U.S. Cl.**
USPC **D8/358**

(58) **Field of Classification Search**

USPC D08/373, 358, 359, 354, 71, 330, 336, D08/351, 356, 360.1, 363, 364, 367, 370, D08/372, 379, 381, 382, 395, 396; D06/349, 352; D09/426, 502, 750; D10/72, 73, 89; D11/79, 93; D13/103, D13/107; D19/67; D21/673, 674, 675, D21/839, 840; D25/19, 62, 68, 69; D26/40, 49; D29/122, 124; D30/153, D30/155; D12/162; D34/24, 26
CPC B65H 75/40; B65H 75/4407; B65H 75/4471; B65H 2701/34; B65H 2701/32; B65H 2511/142; B65H 29/008; B65H 2701/33; B65H 54/585; B65H 51/22; B65H 75/08; B65H 75/02; B65H 2301/41485; B65H 75/4468; B65H 2301/414323; B65H 2301/414325; B65H 16/02; B65H 2301/4131; B65H 75/403; B65H 75/441; B65D 85/66; B65D 85/67; B66D 3/006; B66D 3/18; B66D 3/26; B66D 3/02; B66D 3/14; B63B 21/18; B63B 21/26; B65B 57/005; A61G 7/1051; A61G 7/1061; B66B 11/08; A62C 33/04; B08B 2203/0276; B21C 47/28; H02G 11/02; A01K 89/003; H04M 1/15; A01D 34/822; A47L 9/26; H04R 1/1033; E05C 19/10; E05C 17/50; E05C

3/045; E05C 3/30; E05C 19/02; E05C 19/026; A47G 25/0614; A47G 25/18; A47G 25/32; A47G 7/047; A47G 7/045; A47G 7/042; A47G 7/044; F16B 12/44; F16B

(Continued)

(56) **References Cited**

U.S. PATENT DOCUMENTS

3,042,337 A * 7/1962 Dinneen B65H 54/68 242/405
D253,939 S * 1/1980 Montgomery D10/72
(Continued)

OTHER PUBLICATIONS

BXT Elastic Breathable Wrap Ankle Support with Hook & Loop Fastener Straps, posted Sep. 22, 2017, [retrieved Jan. 22, 2019]. Retrieved from Internet, <URL: <https://www.amazon.com/BXT-Elastic-Breathable-Compression-Fastener/dp/B07D7SSYNG?th=1>>.*
(Continued)

Primary Examiner — Karen E Kearney

Assistant Examiner — Kristin E Reed

(74) *Attorney, Agent, or Firm* — Dunlap Bennett & Ludwig PLLC

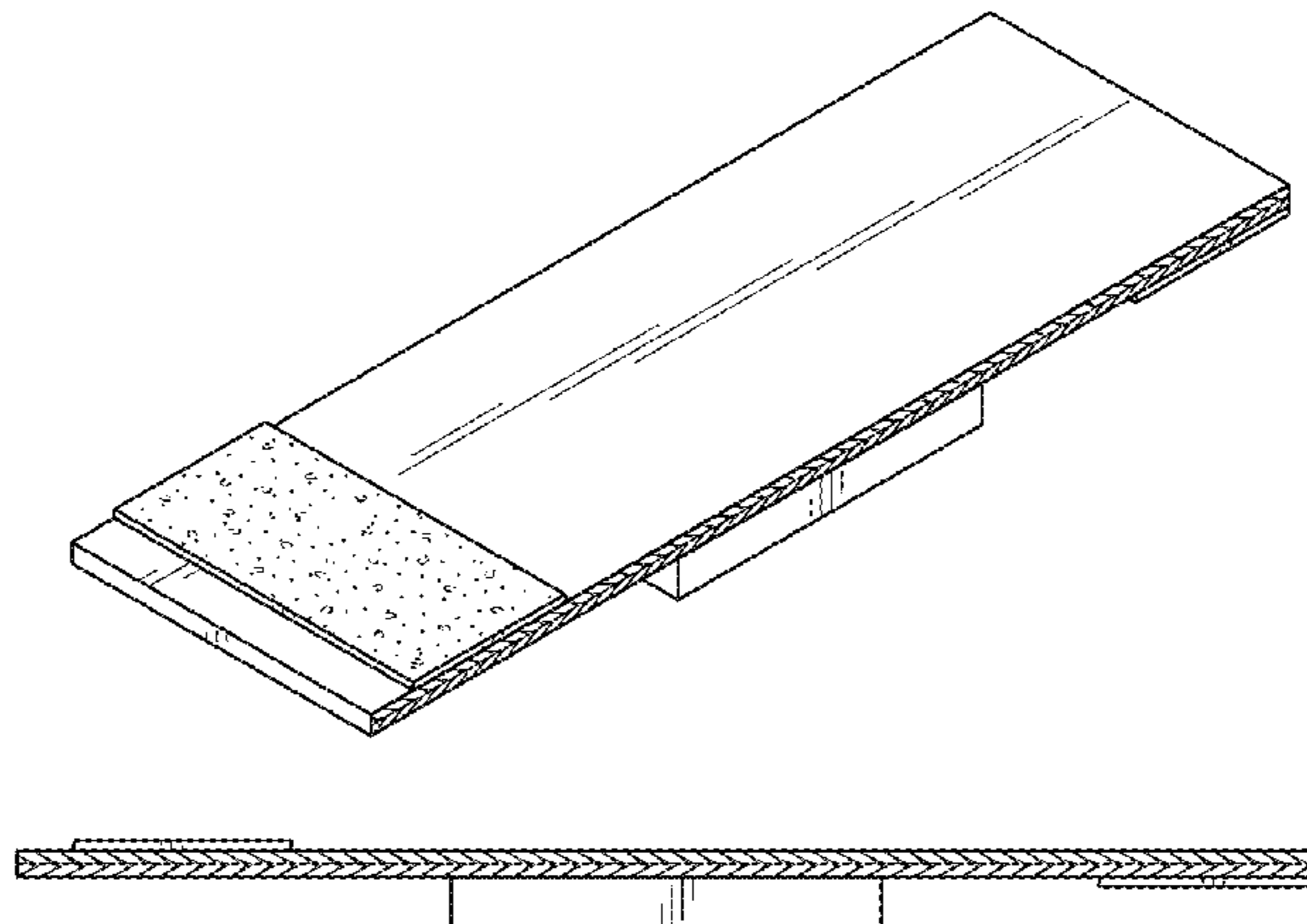
(57) **CLAIM**

The ornamental design for a cargo strap protector, as shown and described.

DESCRIPTION

FIG. 1 is a front perspective view of a cargo strap protector; FIG. 2 is a front elevation view thereof; FIG. 3 is a rear elevation view thereof; FIG. 4 is a left side elevation view thereof; FIG. 5 is a right side elevation view thereof; FIG. 6 is a top plan view thereof; and, FIG. 7 is a bottom plan view thereof.

1 Claim, 2 Drawing Sheets



(58) **Field of Classification Search**

CPC 12/46; F16B 5/0614; F16B 12/02; F16B 12/685; E04B 1/2612; E04B 2001/2415; E04B 1/5818; E04B 1/5831; A47B 88/0055; E04F 11/1812; F16L 1/0246; A01G 9/024; A01G 25/14; A01G 27/001; A01G 9/042; A01G 27/005; A01G 31/001; A01G 9/02; A01G 9/083; A01G 9/12; B60D 1/185; B60P 7/083; B60P 7/0853; B60P 7/0823; Y10S 24/909; Y10T 24/2164; Y10T 24/2175

See application file for complete search history.

(56) **References Cited**

U.S. PATENT DOCUMENTS

D282,789 S * 3/1986 Remboldt D2/627
 4,759,963 A * 7/1988 Uso, Jr. A01K 97/08
 224/901.4
 D339,976 S * 10/1993 Ferguson, Sr. D8/359
 D341,930 S * 12/1993 Meier D3/226
 D386,829 S * 11/1997 Lovin D29/122

D397,838 S * 9/1998 Waggoner D14/192
 D501,990 S * 2/2005 Carr D3/215
 D562,548 S * 2/2008 Martin D3/215
 D592,940 S * 5/2009 Robshaw D8/356
 D732,819 S * 6/2015 Kilcoyne D3/215
 D763,493 S * 8/2016 Fields D26/113
 2002/0084295 A1 * 7/2002 Martindale A45C 1/04
 224/219
 2008/0269850 A1 * 10/2008 Dodo A61F 7/034
 607/96

OTHER PUBLICATIONS

Forearm Forklift Lifting and Moving Straps, Model L74995CN, posted Dec. 31, 2003, [retrieved Jan. 22, 2019]. Retrieved from Internet, <URL: <https://www.amazon.com/Forearm-Forklift-L74995CN-appliances-mattresses/dp/B008ASBLJI> >.*

Adjustable Elastic Soft Guard Straps Protector Soccer Shin Guard Straps, posted unknown, [retrieved Jan. 22, 2019]. Retrieved from Internet, <URL: https://www.alibaba.com/product-detail/Adjustable-Elastic-Soft-Guard-Straps-Protector_60366473167.html >.*

* cited by examiner

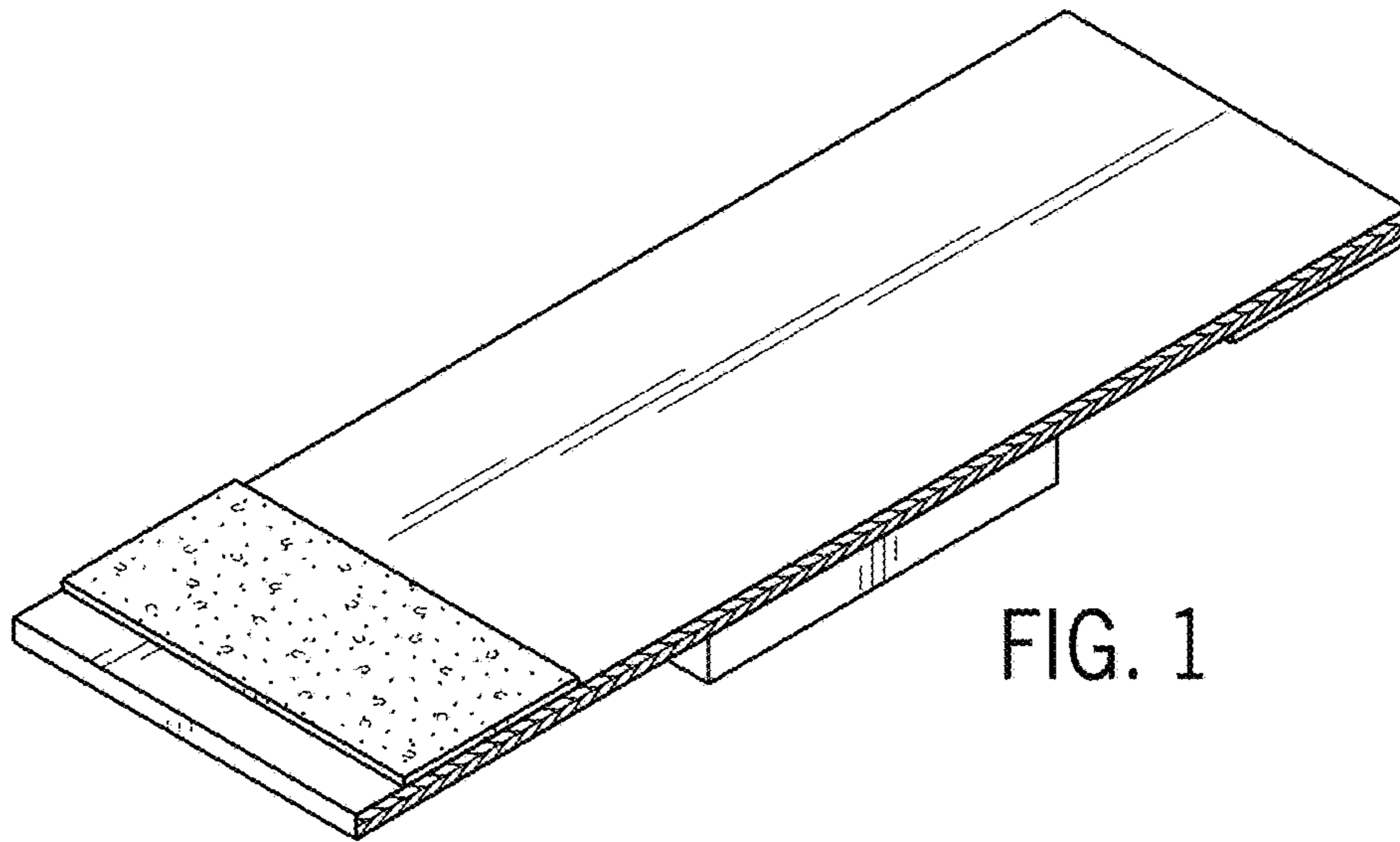


FIG. 1

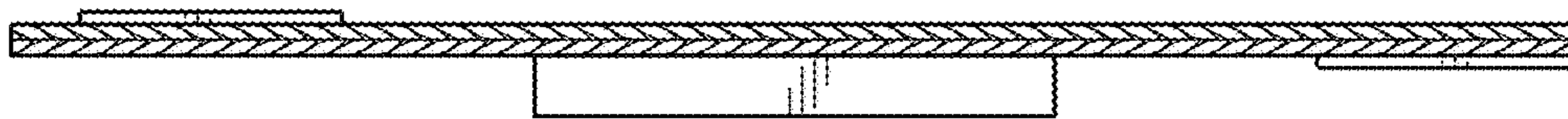


FIG. 2



FIG. 3



FIG. 4



FIG. 5

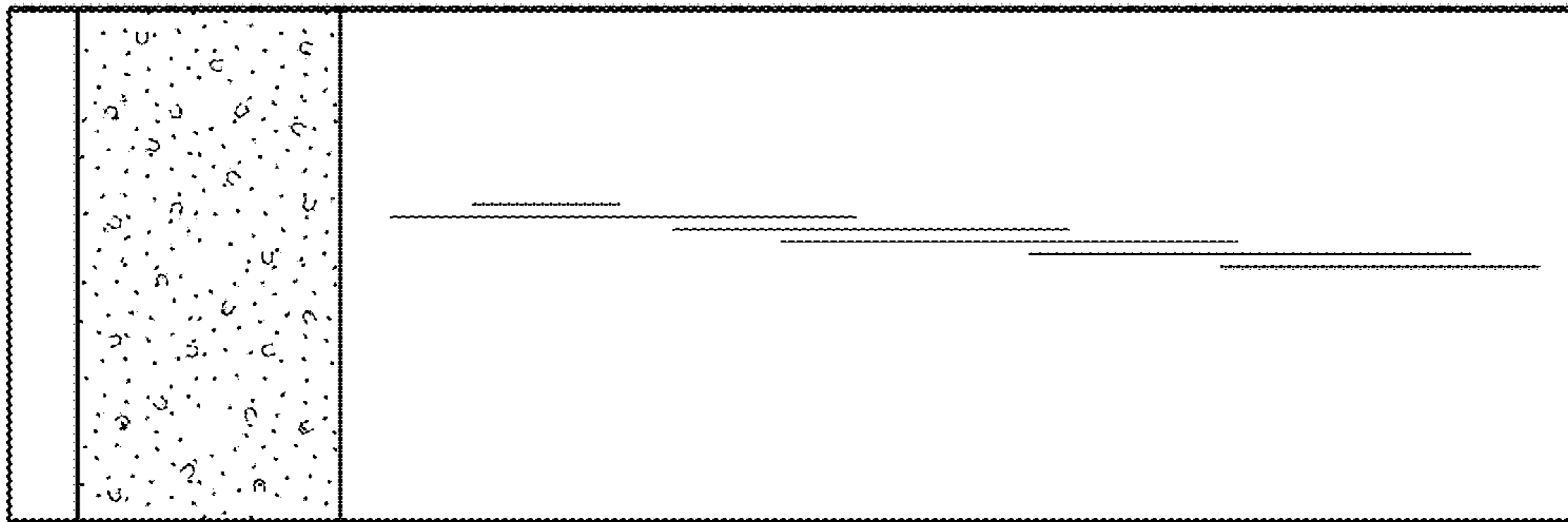


FIG. 6

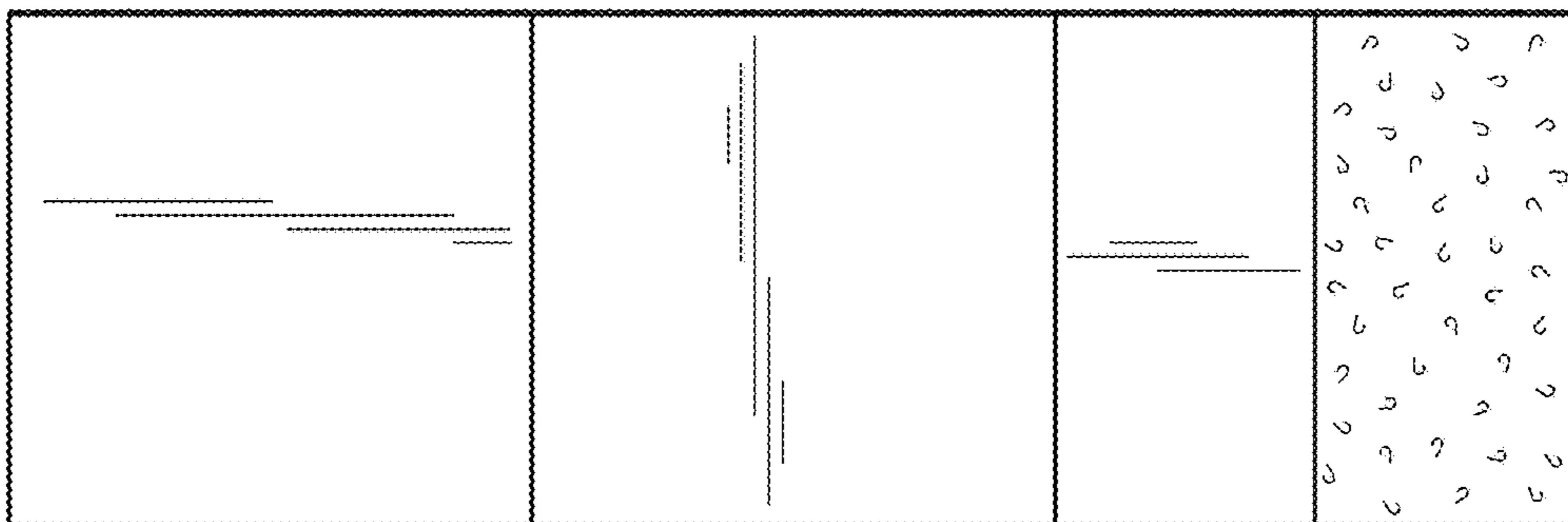


FIG. 7