



US00D853220S

(12) **United States Design Patent**  
**Chanu**

(10) **Patent No.:** **US D853,220 S**

(45) **Date of Patent:** **\*\* Jul. 9, 2019**

(54) **CABLE RETAINER**

(71) Applicant: **Accedian Networks Inc.**, Saint-Laurent (CA)

(72) Inventor: **Marcel Chanu**, Lachine (CA)

(73) Assignee: **Accedian Networks Inc.**, Saint-Laurent, Quebec

(\*\*) Term: **15 Years**

(21) Appl. No.: **29/584,273**

(22) Filed: **Nov. 14, 2016**

(51) **LOC (11) Cl.** ..... **09-06**

(52) **U.S. Cl.**  
USPC ..... **D8/356**

(58) **Field of Classification Search**  
USPC ..... D8/356, 354, 349; D13/133, 153  
CPC ..... B29C 47/02  
See application file for complete search history.

(56) **References Cited**

**U.S. PATENT DOCUMENTS**

|                |        |                 |                        |
|----------------|--------|-----------------|------------------------|
| D389,731 S *   | 1/1998 | Forbis .....    | D8/395                 |
| D395,999 S *   | 7/1998 | Schmidt .....   | D8/358                 |
| D637,907 S *   | 5/2011 | Maxa .....      | D9/452                 |
| 8,636,551 B2 * | 1/2014 | Skidmore .....  | H01R 13/025<br>439/843 |
| D731,300 S *   | 6/2015 | Vargas .....    | D8/397                 |
| D753,065 S *   | 4/2016 | Corona .....    | D13/146                |
| D787,448 S *   | 5/2017 | Robert .....    | D13/151                |
| D792,196 S *   | 7/2017 | Nitta .....     | D8/356                 |
| D798,133 S *   | 9/2017 | Ng .....        | D6/580                 |
| D809,372 S *   | 2/2018 | Palsgaard ..... | D8/388                 |
| D814,907 S *   | 4/2018 | Baiz .....      | D8/356                 |
| D817,280 S *   | 5/2018 | Nook .....      | D13/133                |
| D817,881 S *   | 5/2018 | Dobashi .....   | D13/133                |
| D818,801 S *   | 5/2018 | Ng .....        | D8/354                 |

|              |         |                |         |
|--------------|---------|----------------|---------|
| D821,325 S * | 6/2018  | Duran .....    | D13/124 |
| D822,605 S * | 7/2018  | Jin .....      | D13/133 |
| D822,606 S * | 7/2018  | Wu .....       | D13/133 |
| D823,256 S * | 7/2018  | Morley .....   | D13/133 |
| D832,789 S * | 11/2018 | Rockwell ..... | D13/147 |
| D836,421 S * | 12/2018 | Luscombe ..... | D8/354  |
| D838,577 S * | 1/2019  | Ito .....      | D8/354  |
| D838,578 S * | 1/2019  | Ito .....      | D8/354  |
| D839,084 S * | 1/2019  | Mikoska .....  | D8/356  |

(Continued)

*Primary Examiner* — Cynthia R Underwood

(74) *Attorney, Agent, or Firm* — Stratford Managers Corporation

(57) **CLAIM**

The ornamental design for a cable retainer, as shown and described.

**DESCRIPTION**

FIG. 1 is a left side view of the cable retainer in an unengaged position. The cable retainer is shown mounted within a network appliance box that is connected to a cable. FIG. 2 is an isometric view of the cable retainer from the front.

FIG. 3 is an isometric view of the cable retainer from the rear.

FIG. 4 is a top view of the cable retainer.

FIG. 5 is a side view of the cable retainer from the right.

FIG. 6 is a front view of the cable retainer.

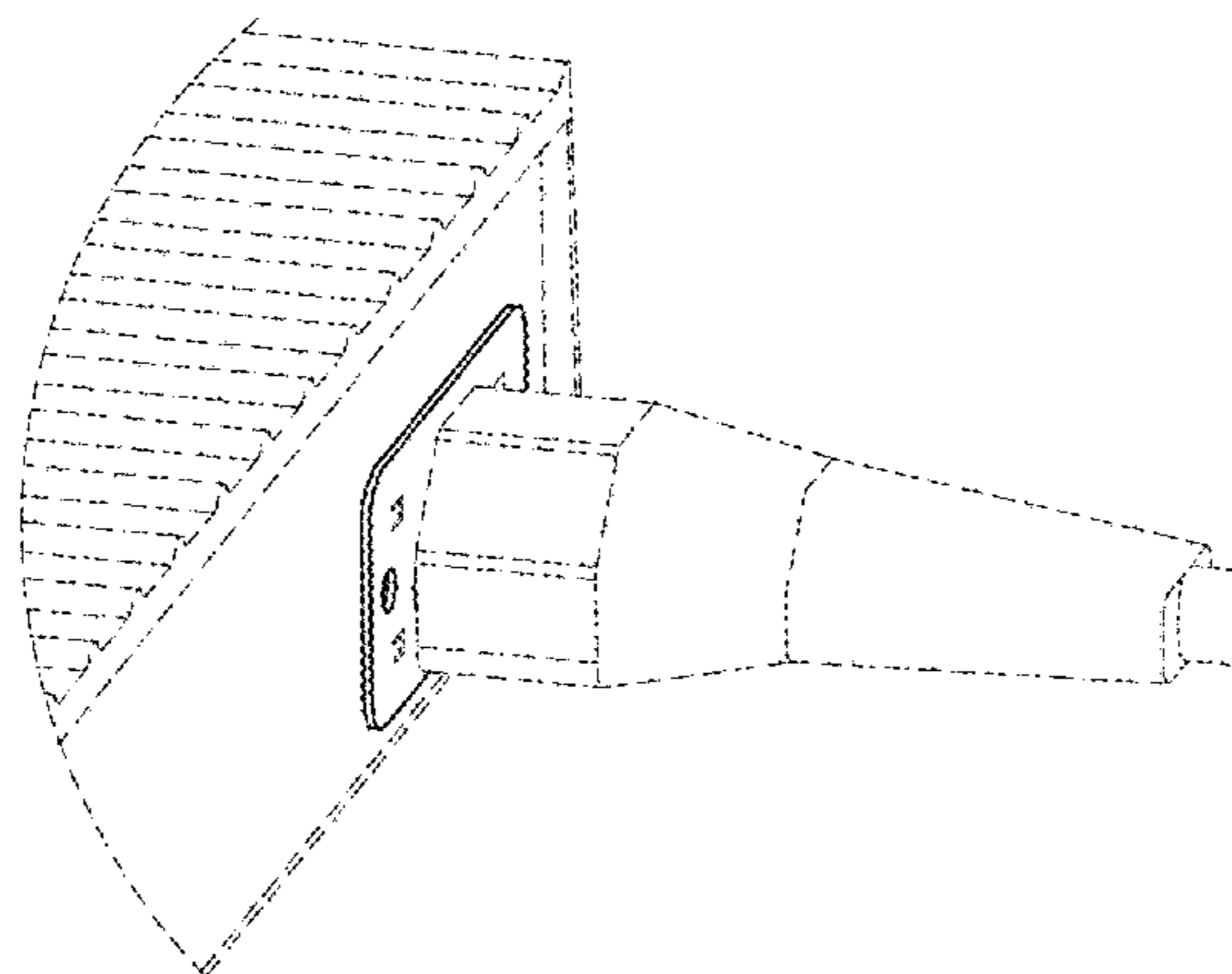
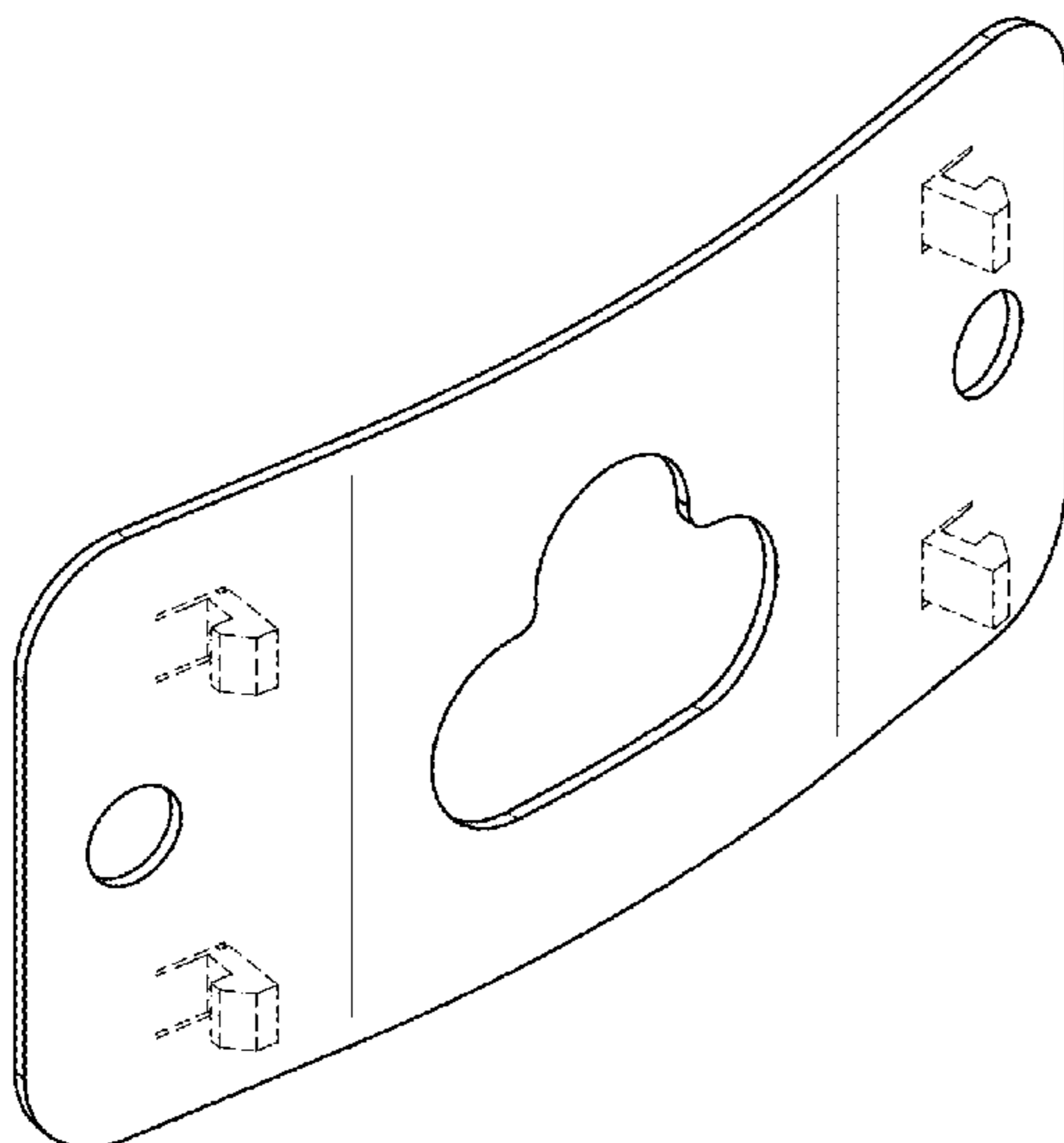
FIG. 7 is a bottom view of the cable retainer.

FIG. 8 is a rear view of the cable retainer.

FIG. 9 is a side view of the cable retainer from the left; and, FIG. 10 is a left side view of the cable retainer in an engaged position. The cable retainer is shown mounted within a network appliance box that is connected to a cable.

The broken lines represent unclaimed environmental subject matter and form no part of the claimed design.

**1 Claim, 5 Drawing Sheets**



(56)

**References Cited**

U.S. PATENT DOCUMENTS

2011/0294335 A1\* 12/2011 Sagdic ..... H01R 13/502  
439/359  
2015/0251488 A1\* 9/2015 Hoff ..... B60B 7/16  
301/37.21

\* cited by examiner

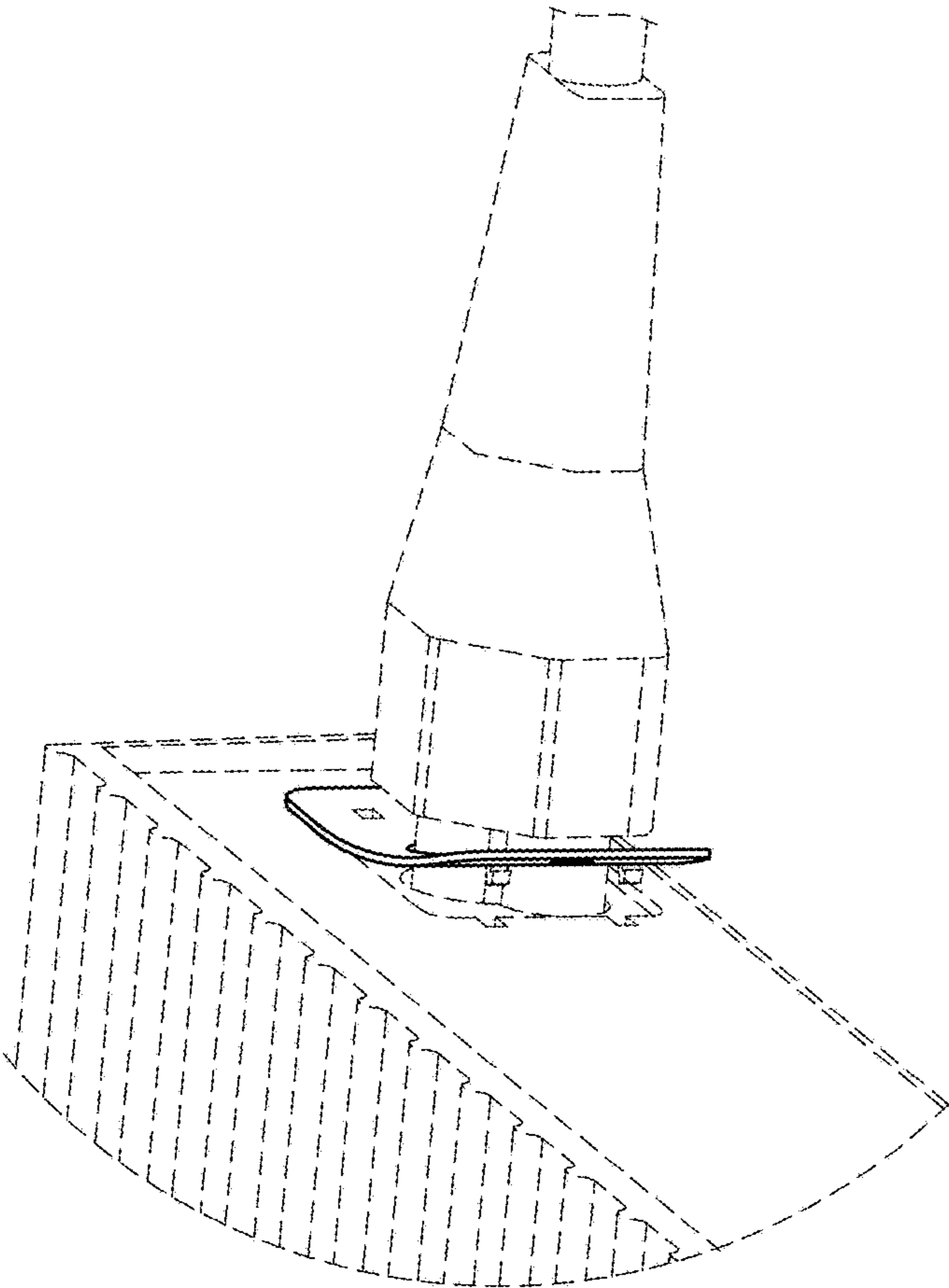


FIG. 1

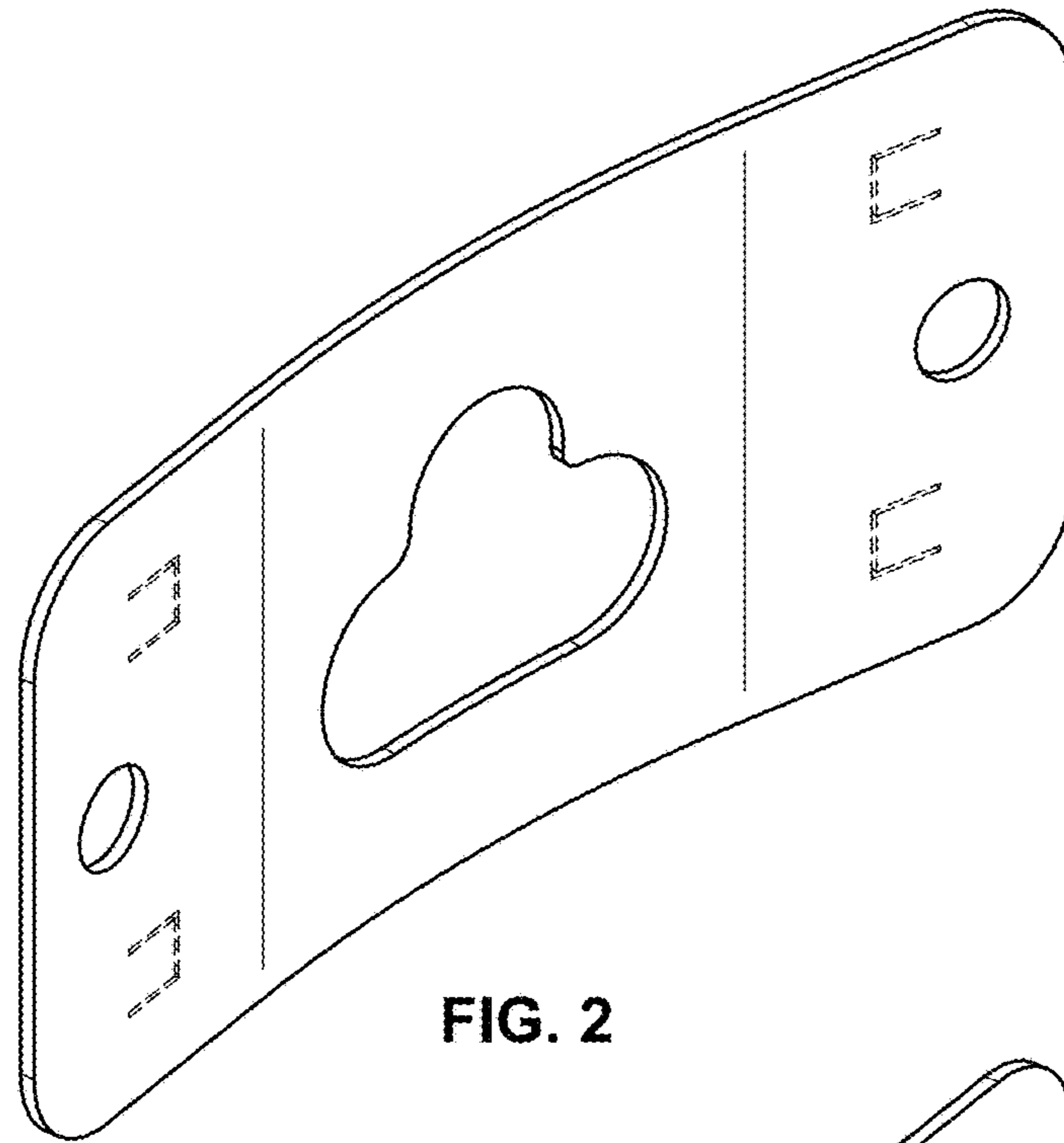


FIG. 2

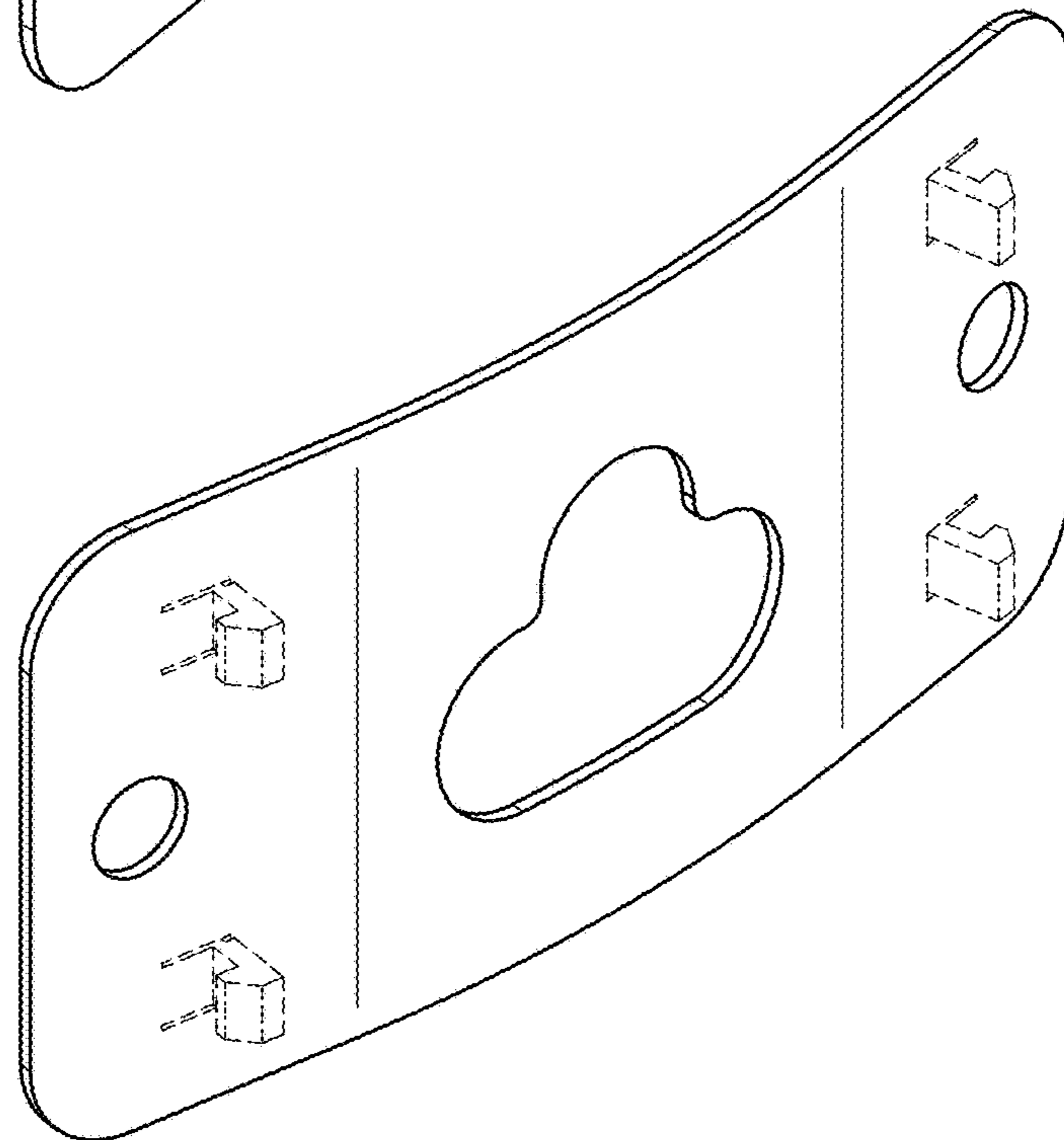


FIG. 3

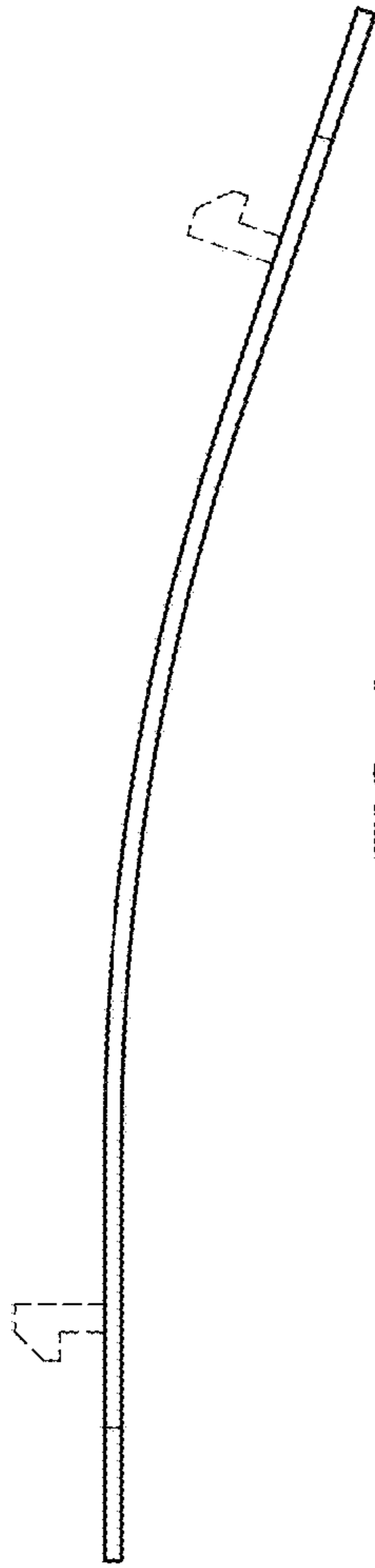


FIG. 4

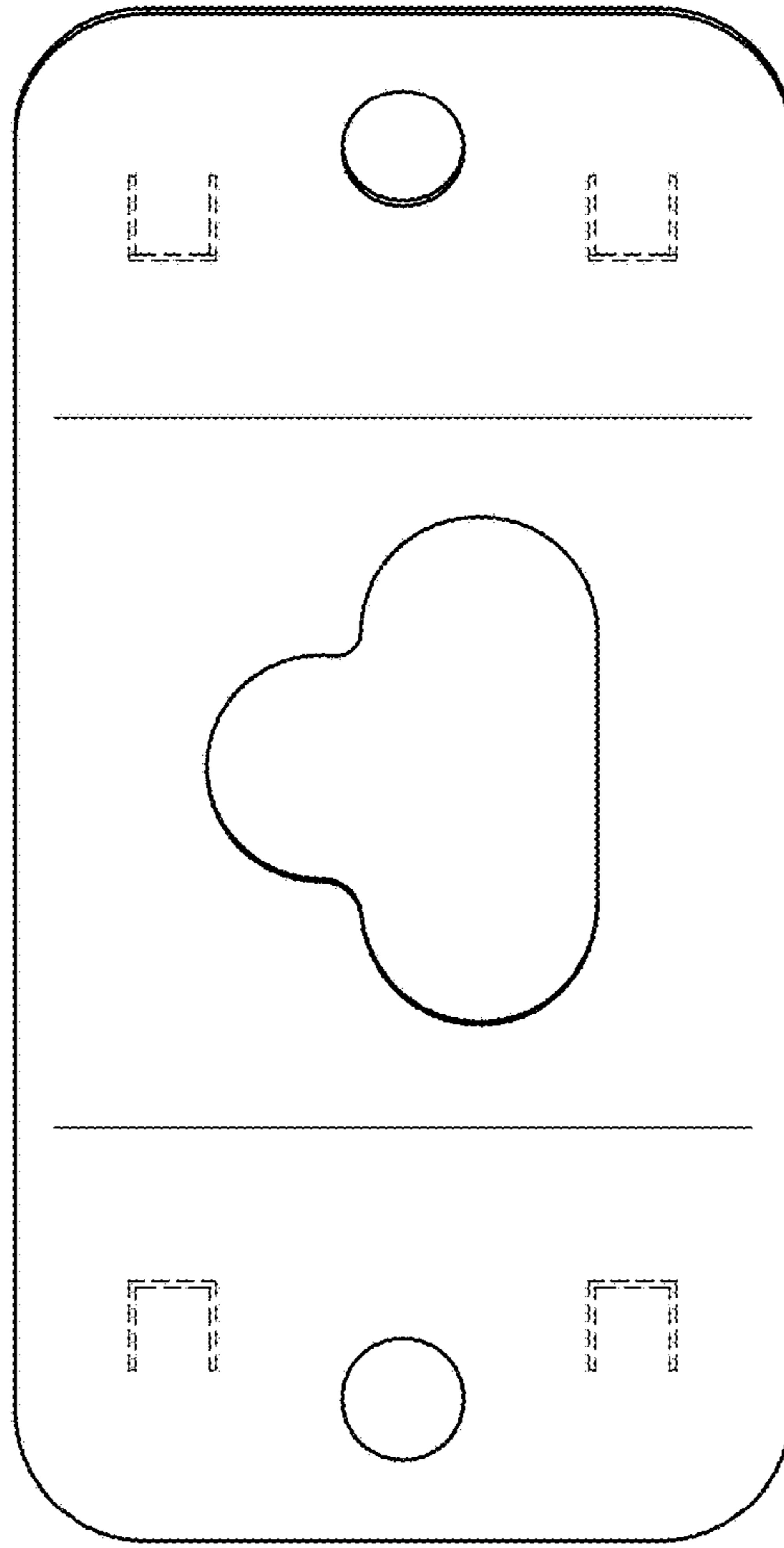


FIG. 5

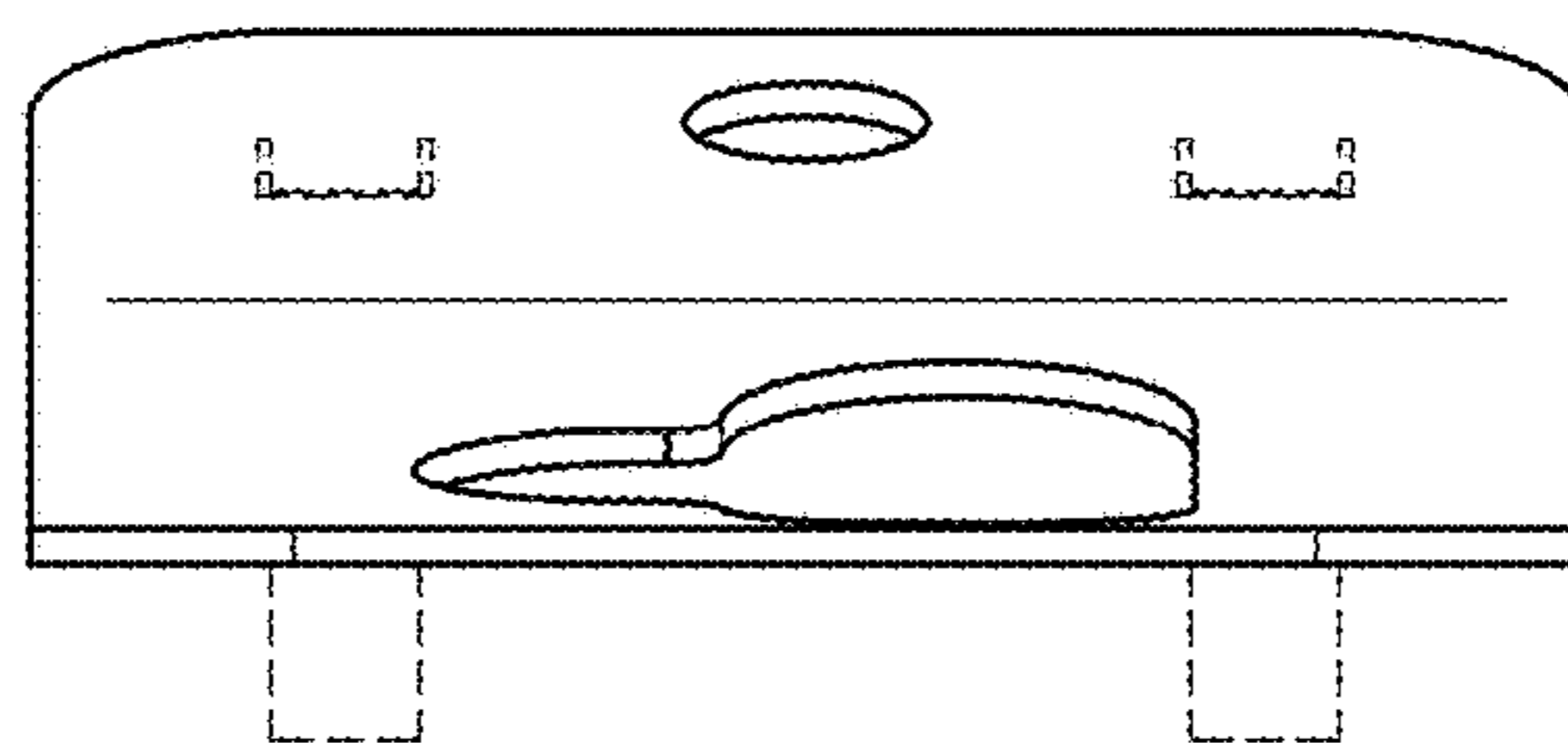


FIG. 6

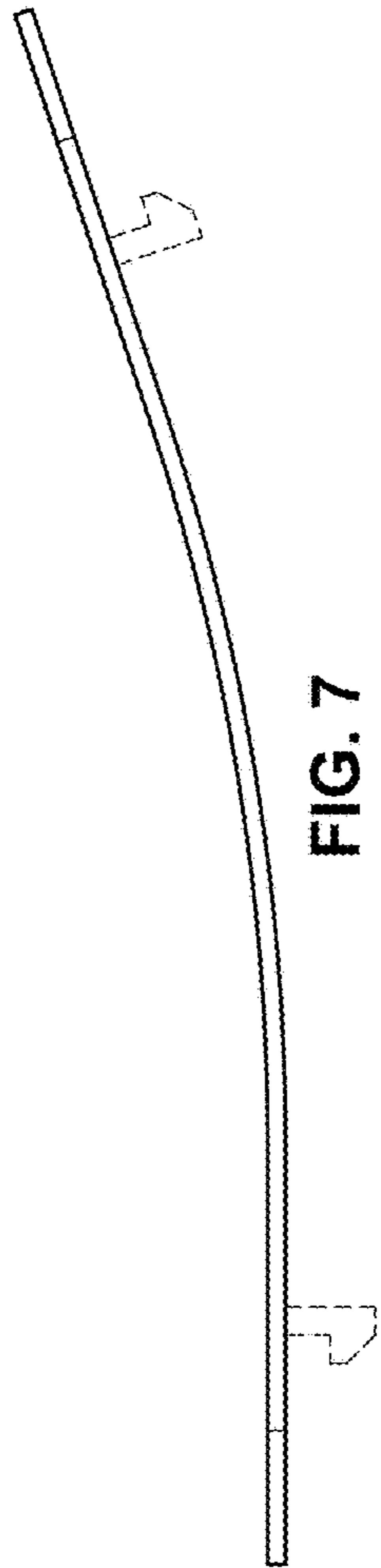


FIG. 7

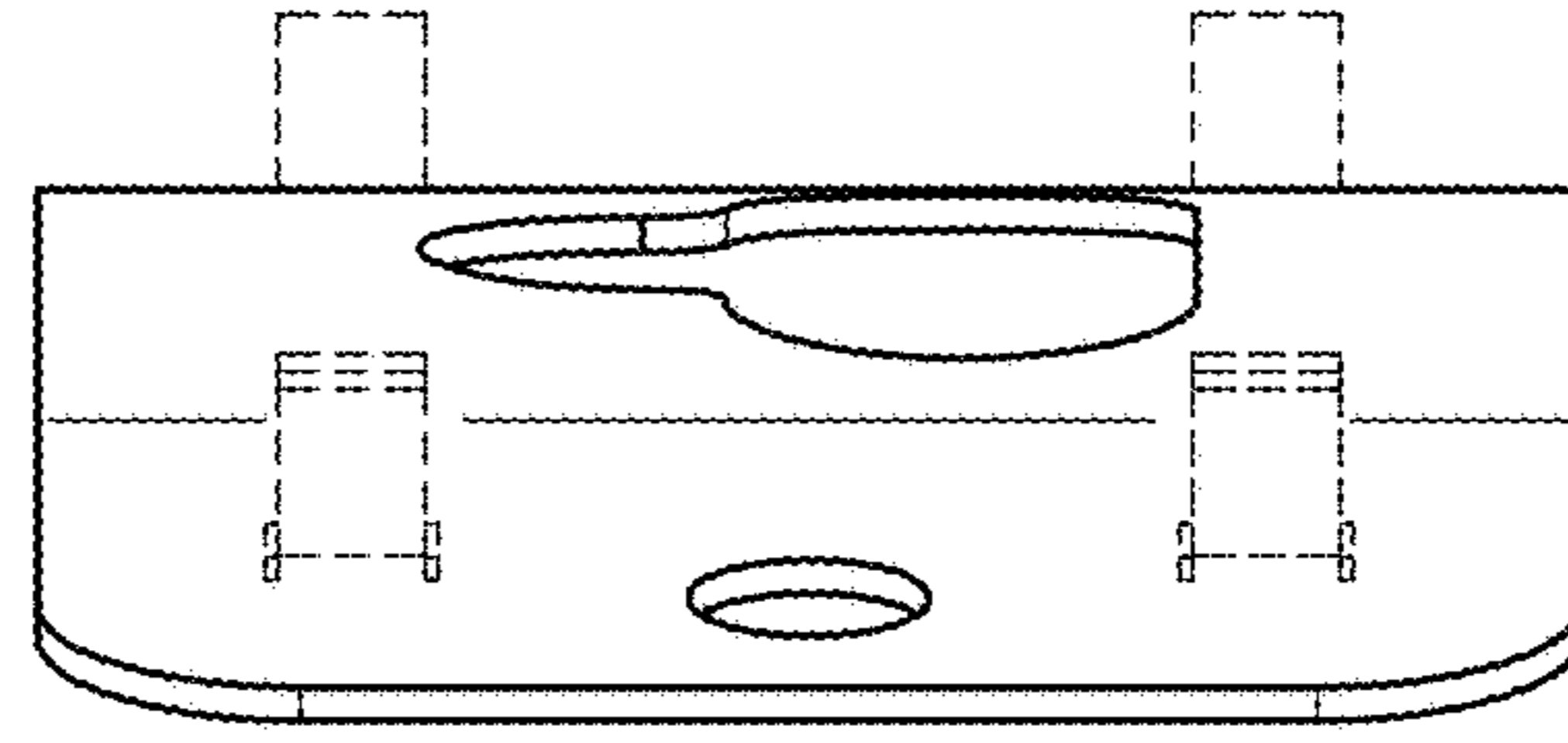


FIG. 9

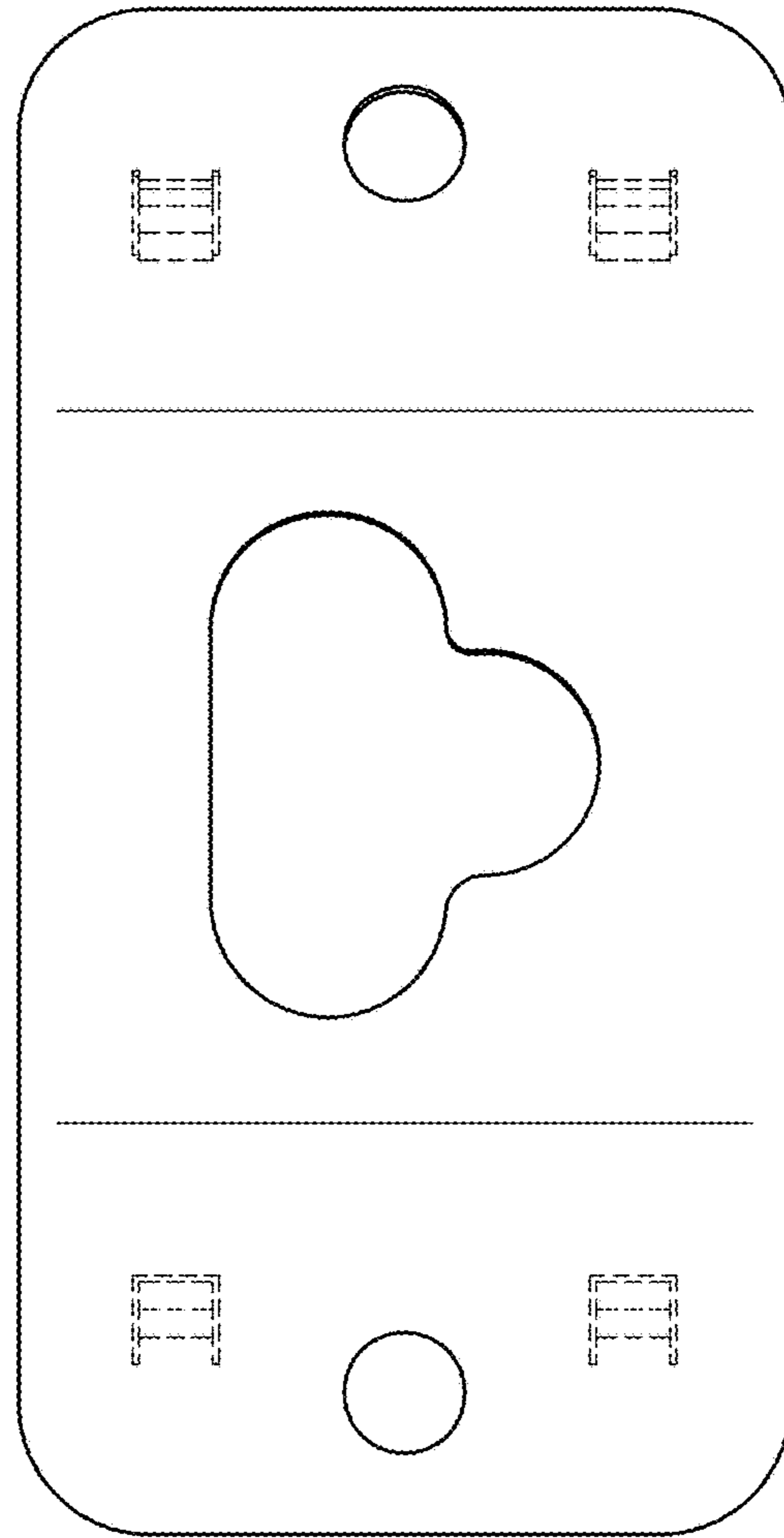


FIG. 8

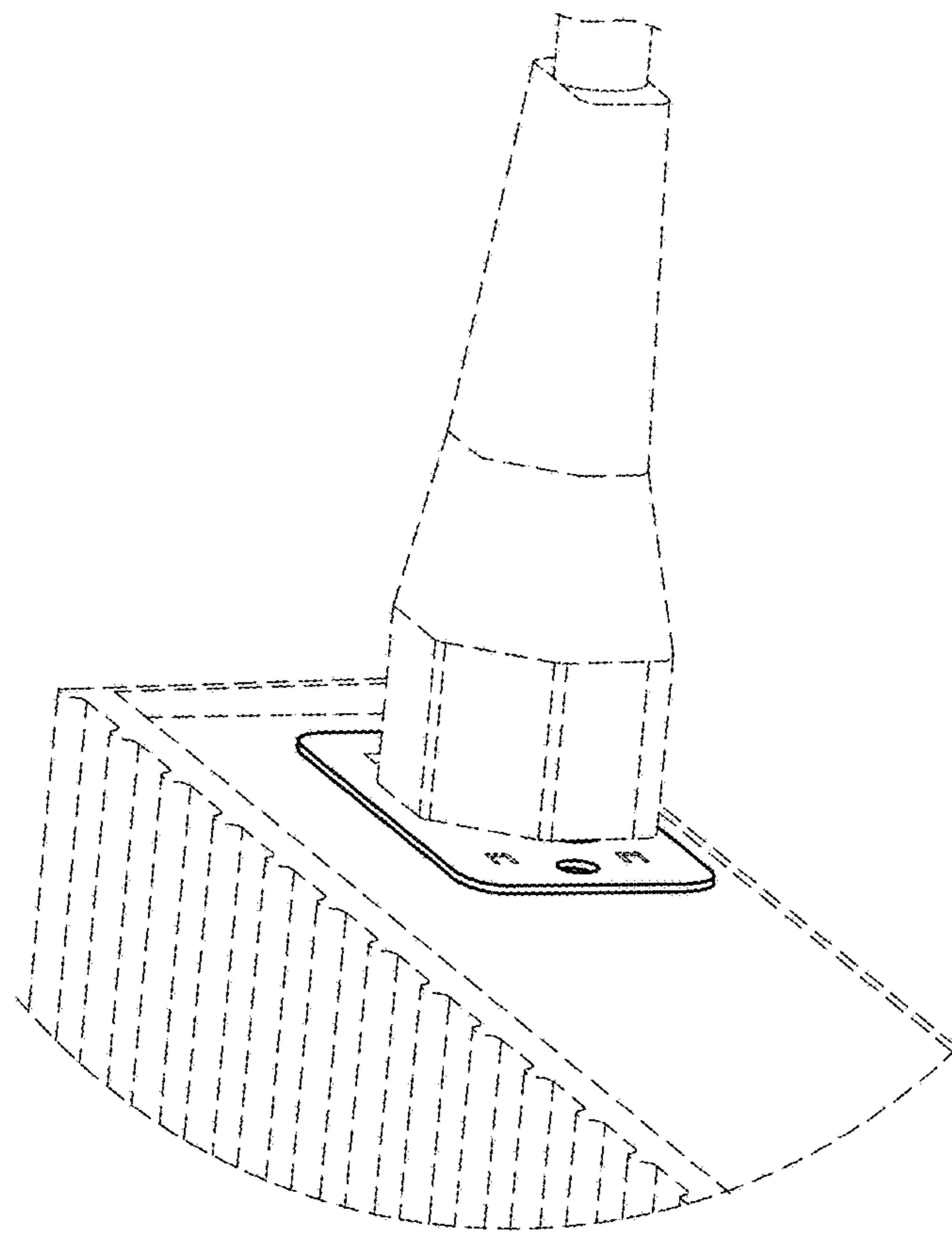


FIG. 10