



US00D853219S

(12) **United States Design Patent**  
**Beaudoin**

(10) **Patent No.:** **US D853,219 S**

(45) **Date of Patent:** **\*\* Jul. 9, 2019**

(54) **WALL BRACKET SUPPORT FOR  
ULTRASONIC SENSOR**

D136,046 S \* 7/1943 Downer ..... D10/96  
D364,351 S \* 11/1995 Van Meter ..... D10/96

(71) Applicant: **TECHNOLOGIES MAID LABS  
INC., Granby (CA)**

\* cited by examiner

(72) Inventor: **Benoit Beaudoin, Granby (CA)**

*Primary Examiner* — Antoine Duval Davis

(73) Assignee: **TECHNOLOGIES MAID LABS  
INC., Granby (CA)**

(74) *Attorney, Agent, or Firm* — Gonzalo Lavin

(\*\*) Term: **15 Years**

(21) Appl. No.: **29/622,577**

(22) Filed: **Oct. 18, 2017**

(51) **LOC (11) Cl.** ..... **08-08**

(52) **U.S. Cl.**  
USPC ..... **D8/354; D10/103**

(58) **Field of Classification Search**  
USPC ..... D10/96, 103; D8/354, 373, 380  
CPC ..... G01F 15/18; G01F 15/185  
See application file for complete search history.

(56) **References Cited**

**U.S. PATENT DOCUMENTS**

1,939,570 A \* 12/1933 Potter ..... G01F 15/18  
248/288.11

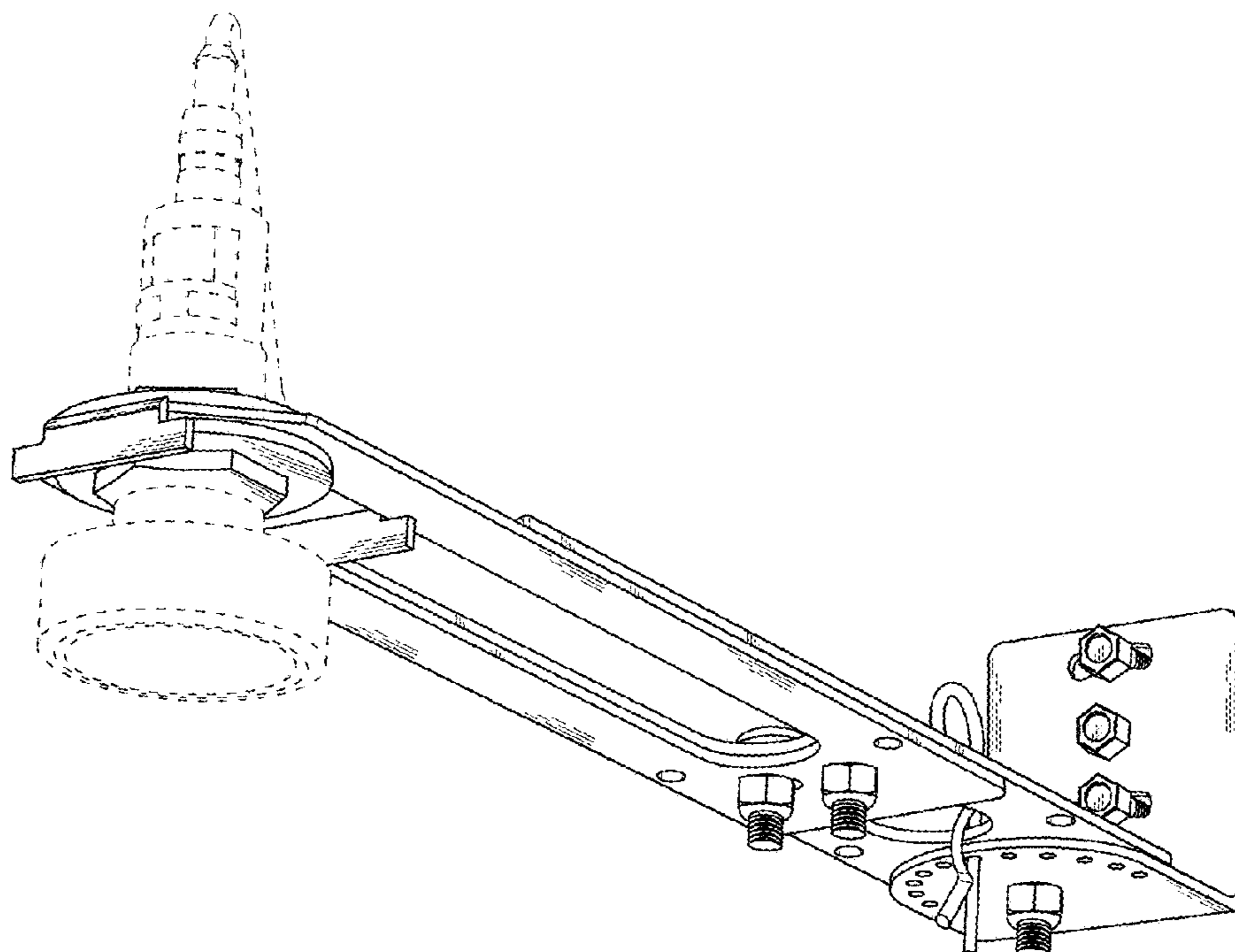
(57) **CLAIM**

The ornamental design for a “wall bracket support for ultrasonic sensor”, as shown and described.

**DESCRIPTION**

FIG. 1 is a perspective bottom front view of the wall bracket support for ultrasonic sensor;  
FIG. 2 is a top view thereof;  
FIG. 3 is a bottom view thereof;  
FIG. 4 is a left side view thereof;  
FIG. 5 is a right side view thereof;  
FIG. 6 is a front view thereof; and,  
FIG. 7 is a rear view thereof.

**1 Claim, 5 Drawing Sheets**



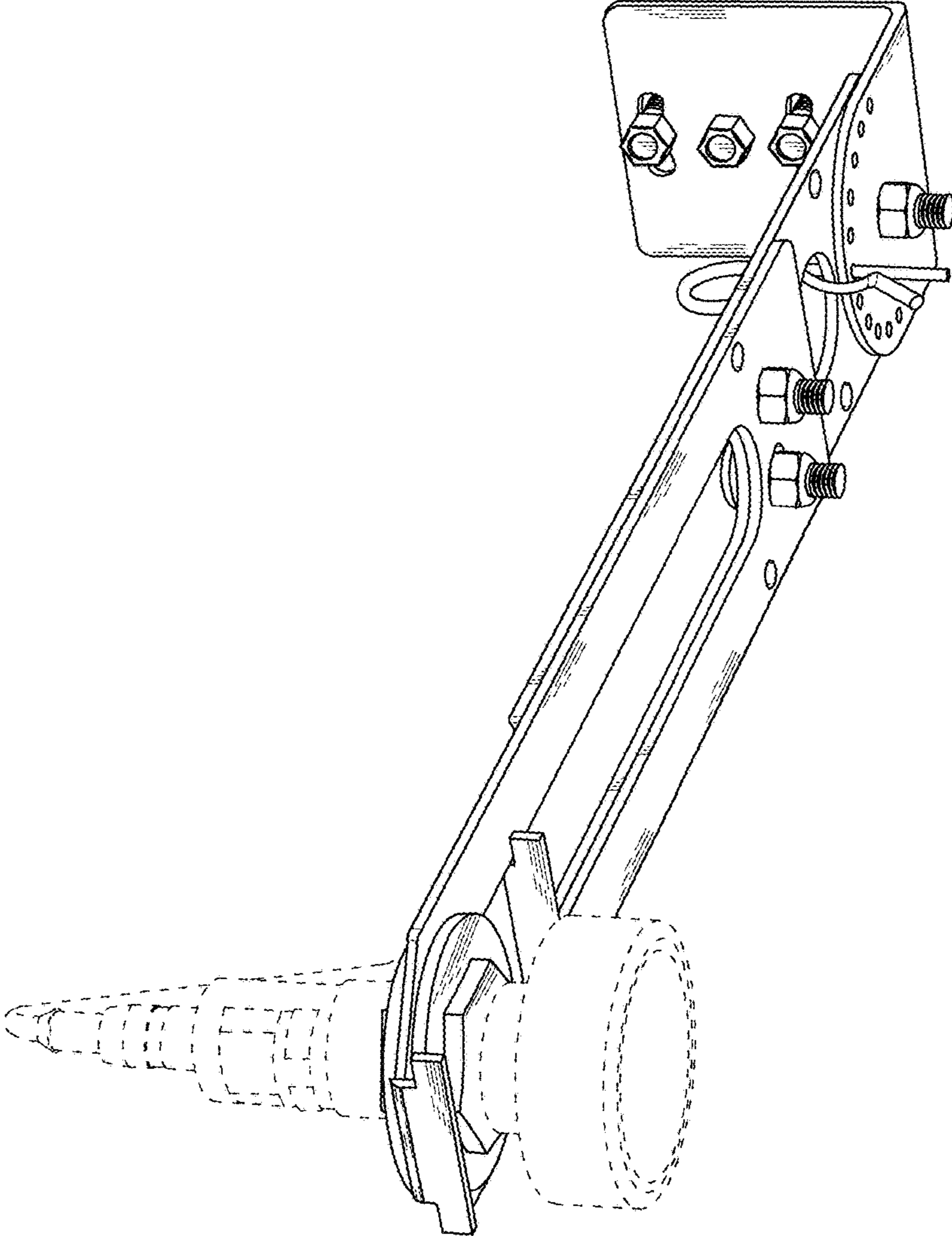


FIG. 1

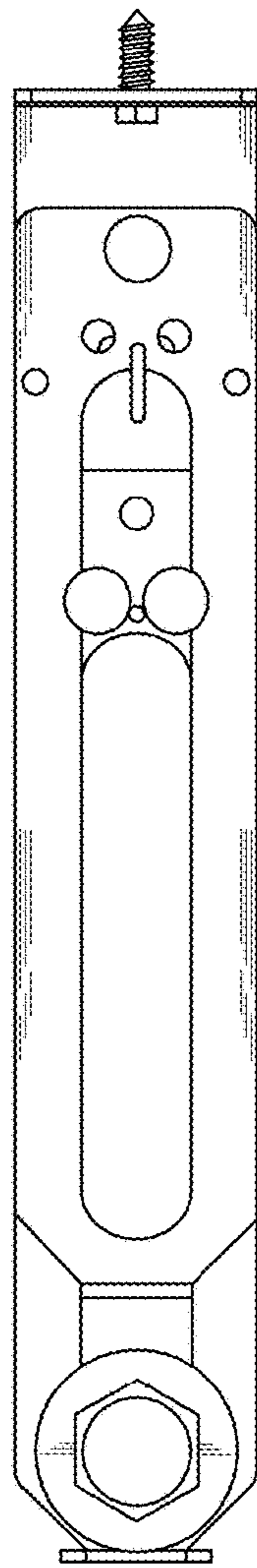


FIG. 2

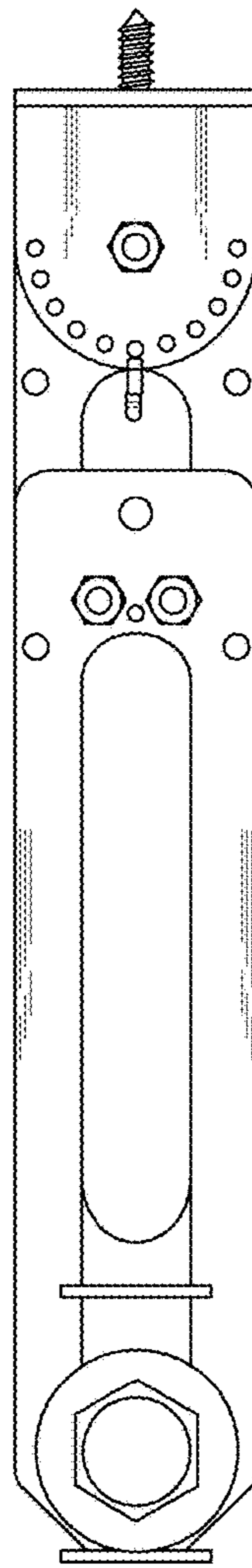


FIG. 3

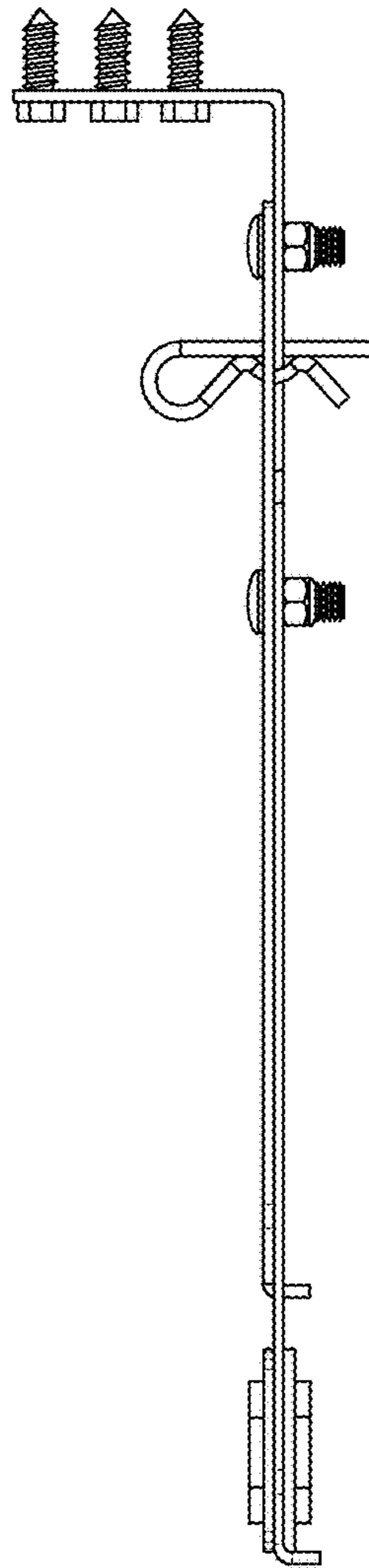


FIG. 4

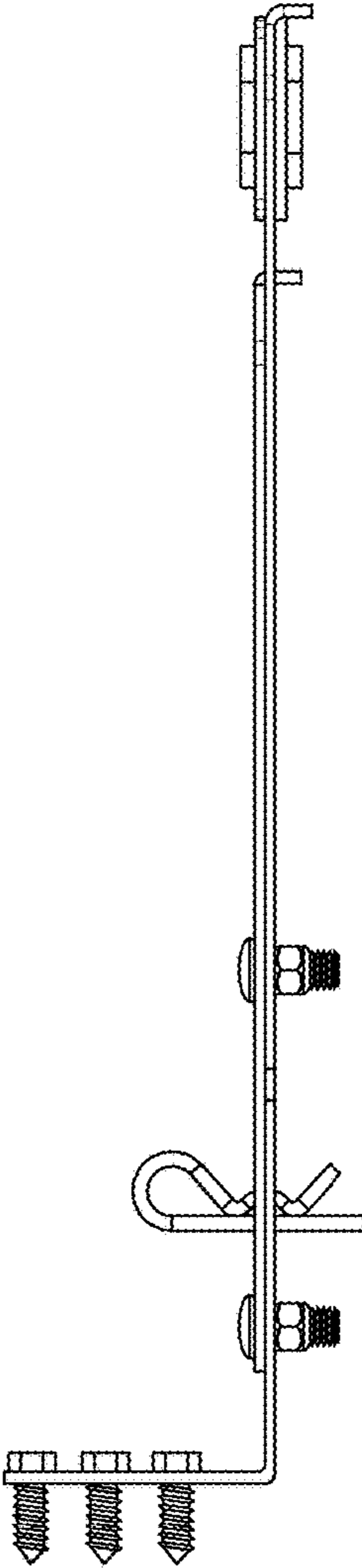


FIG. 5

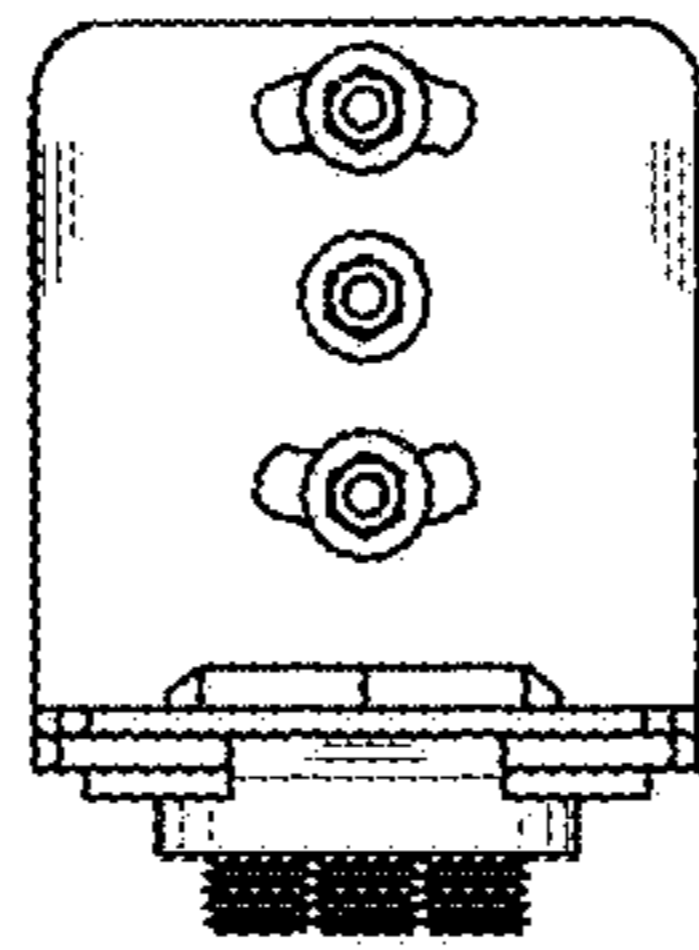


FIG. 6

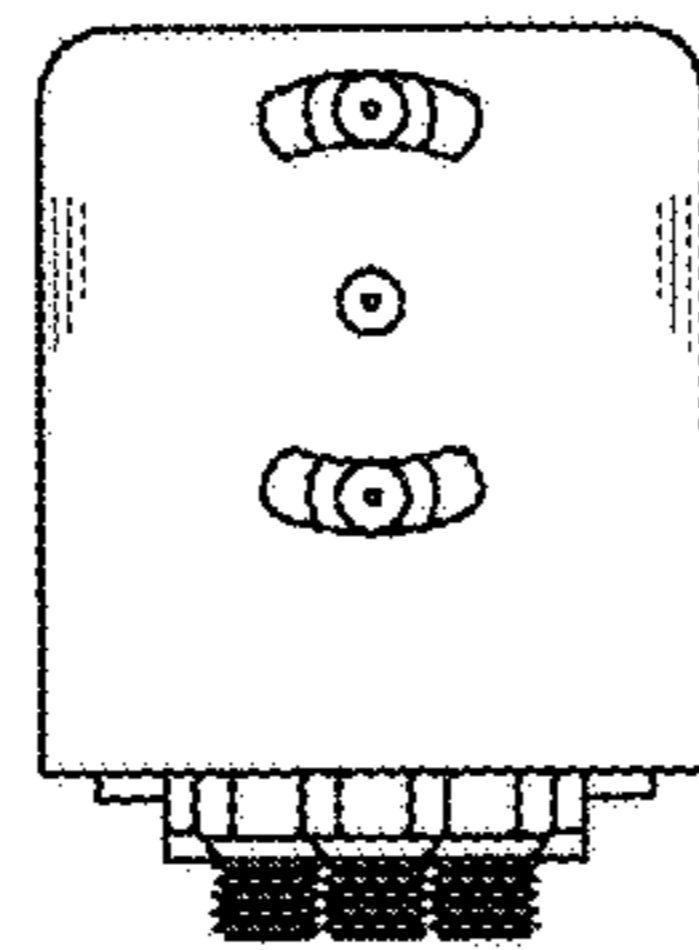


FIG. 7