



US00D853217S

(12) **United States Design Patent**
Paoli

(10) **Patent No.:** **US D853,217 S**

(45) **Date of Patent:** **** Jul. 9, 2019**

(54) **IMPACT WRENCH**
(71) Applicant: **Dino Paoli S.R.L.**, Reggio Emilia (IT)
(72) Inventor: **Patrizia Paoli**, Cadelbosco di Sopra (IT)
(73) Assignee: **Dino Paoli S.r.l.** (IT)
(**) Term: **15 Years**
(21) Appl. No.: **29/631,993**

D472,782 S *	4/2003	Pusateri	D8/68
D476,210 S *	6/2003	Chen	D8/68
D496,243 S *	9/2004	Huang	D8/68
D497,529 S *	10/2004	Price	D8/68
D497,787 S *	11/2004	Liao	D8/68
D504,299 S *	4/2005	Leasure	D8/68
D504,604 S *	5/2005	Leasure	D8/68
D507,732 S *	7/2005	Nowak	D8/68
D513,690 S *	1/2006	Etter	D8/68
D537,690 S *	3/2007	Su	D8/68
D540,641 S *	4/2007	Clay	D8/68
D605,490 S *	12/2009	Aglassinger	D8/68
7,673,702 B2 *	3/2010	Johnson	B25B 21/00 173/109
D664,413 S *	7/2012	Steinfels	D8/68
D716,125 S *	10/2014	Yaschur	D8/68

(22) Filed: **Jan. 4, 2018**
(51) **LOC (11) Cl.** **08-05**
(52) **U.S. Cl.**
USPC **D8/68**
(58) **Field of Classification Search**
USPC D8/61, 67, 68
CPC . B21J 15/043; B21J 15/22; B21J 15/36; B21J
15/326
See application file for complete search history.

* cited by examiner

Primary Examiner — Darlington Ly
(74) *Attorney, Agent, or Firm* — Laubscher & Laubscher, P.C.

(57) **CLAIM**

The ornamental design for an impact wrench, as shown.

(56) **References Cited**

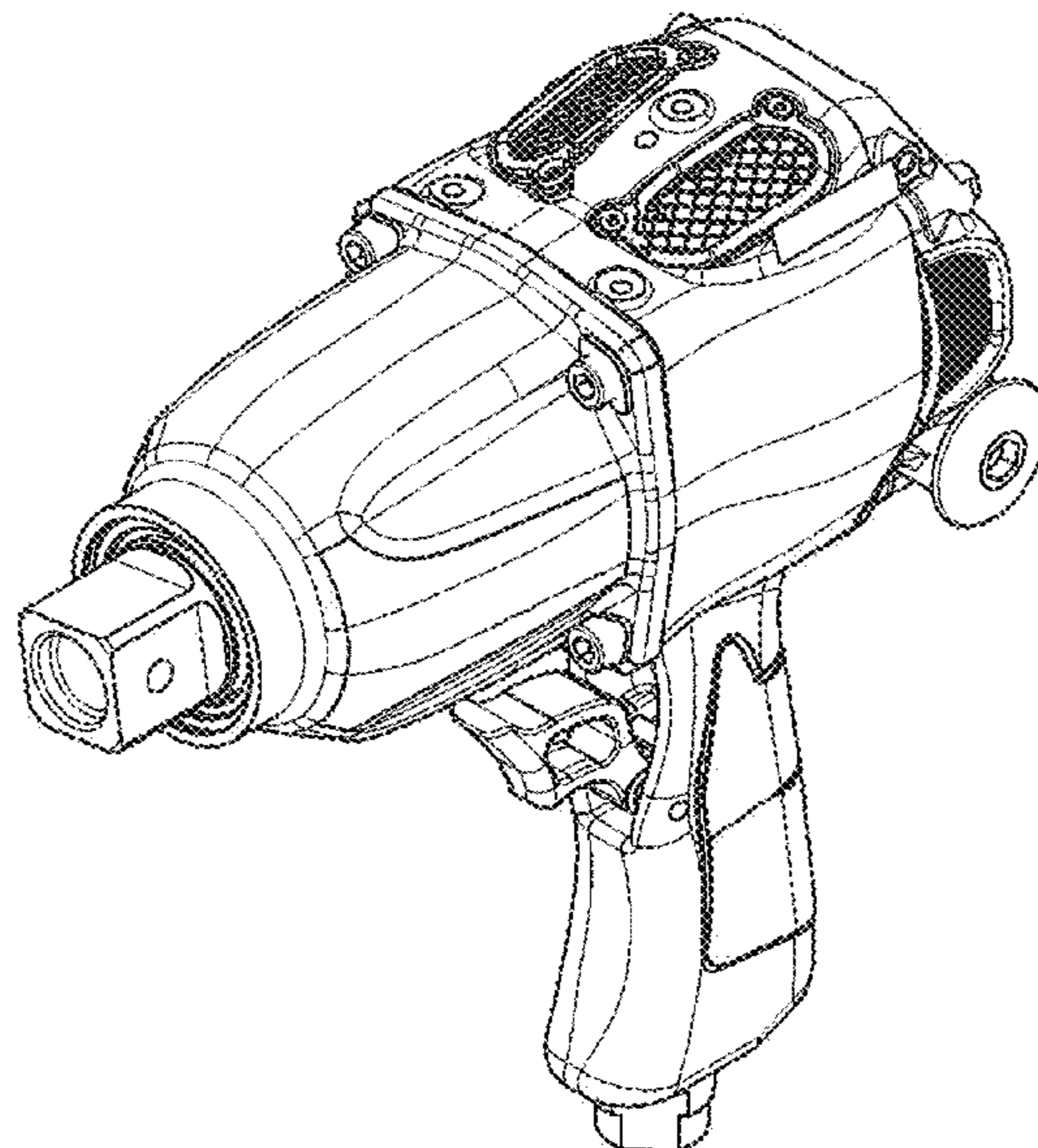
DESCRIPTION

U.S. PATENT DOCUMENTS

D382,184 S *	8/1997	Sung	D8/61
D388,678 S *	1/1998	Bantly	D8/68
D396,620 S *	8/1998	Sung	D8/68
D403,564 S *	1/1999	Izumisawa	D8/68
D410,181 S *	5/1999	Sung	D8/68
D410,830 S *	6/1999	Pusateri	D8/61
D434,297 S *	11/2000	Iritani	D8/68
D434,958 S *	12/2000	Izumisawa	D8/68
D441,628 S *	5/2001	Bass	D8/68
D461,110 S *	8/2002	Izumisawa	D8/68
D469,673 S *	2/2003	Sliker	D8/68

FIG. 1 is a front perspective view of an impact wrench showing my new design;
FIG. 2 is a bottom perspective view thereof;
FIG. 3 is a front elevation view thereof;
FIG. 4 is a rear elevation view thereof;
FIG. 5 is a right side elevation view thereof;
FIG. 6 is a left side elevation view thereof;
FIG. 7 is a top plan view thereof; and,
FIG. 8 is a bottom plan view thereof.

1 Claim, 7 Drawing Sheets



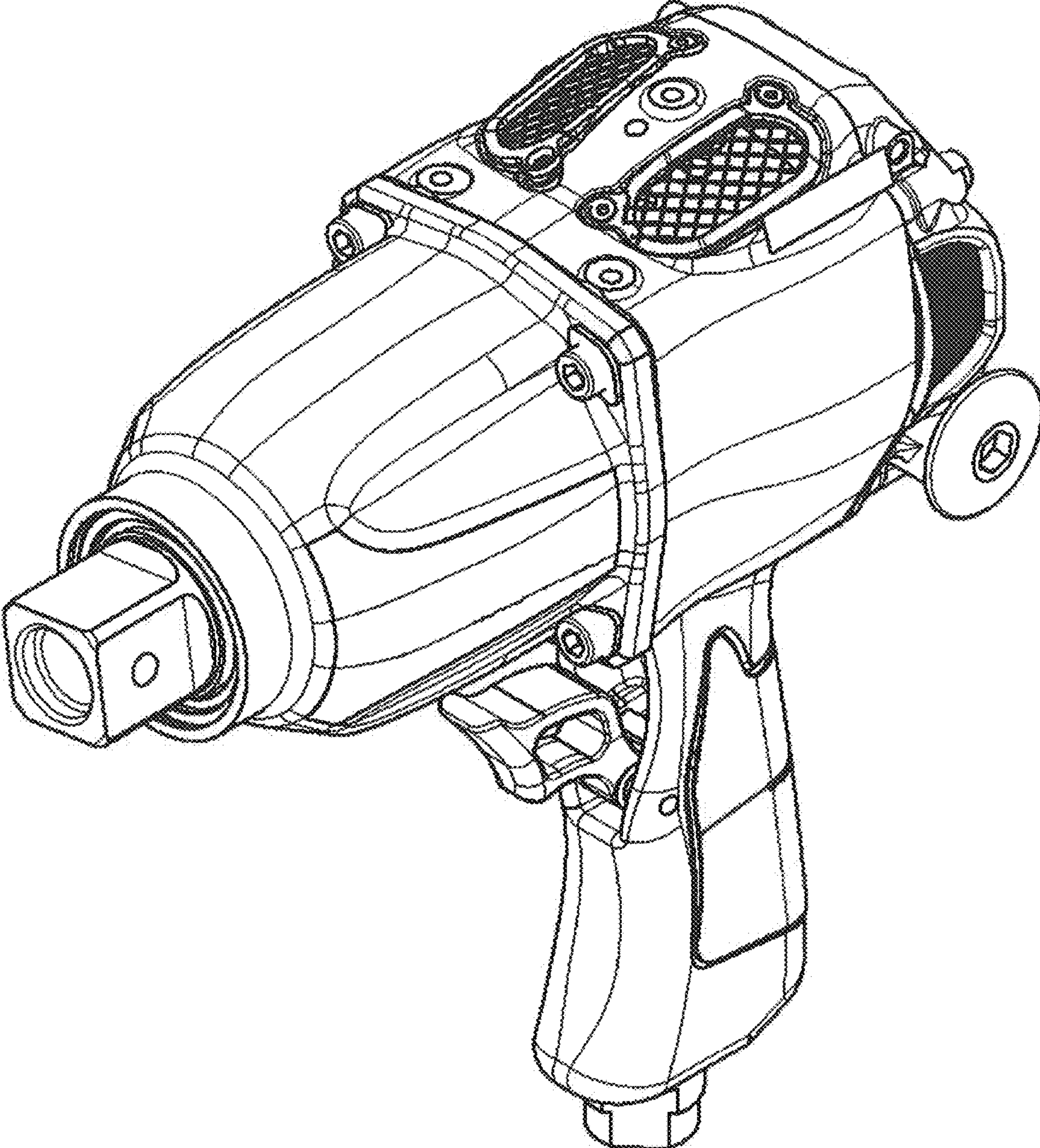


FIG. 1

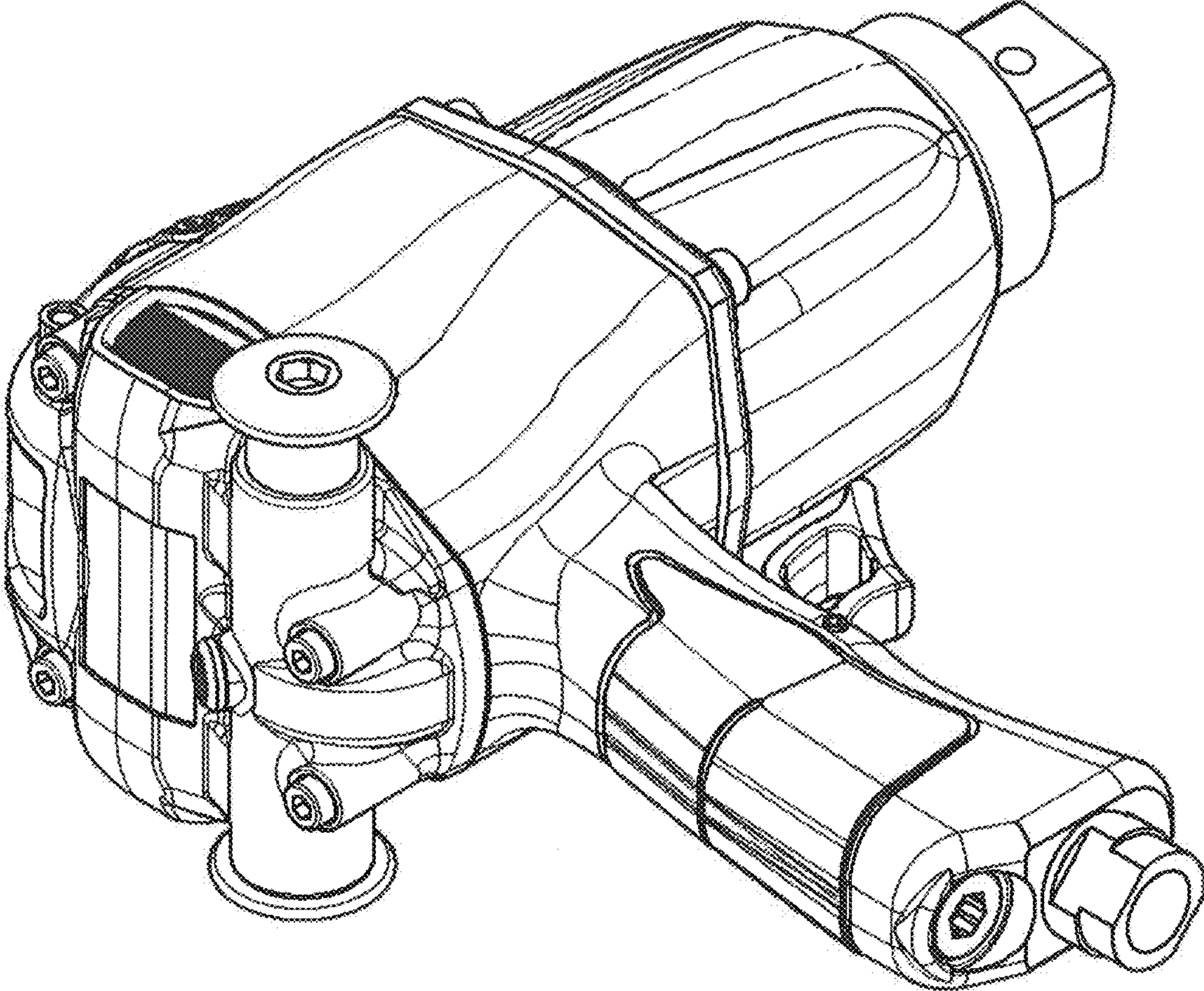


FIG. 2

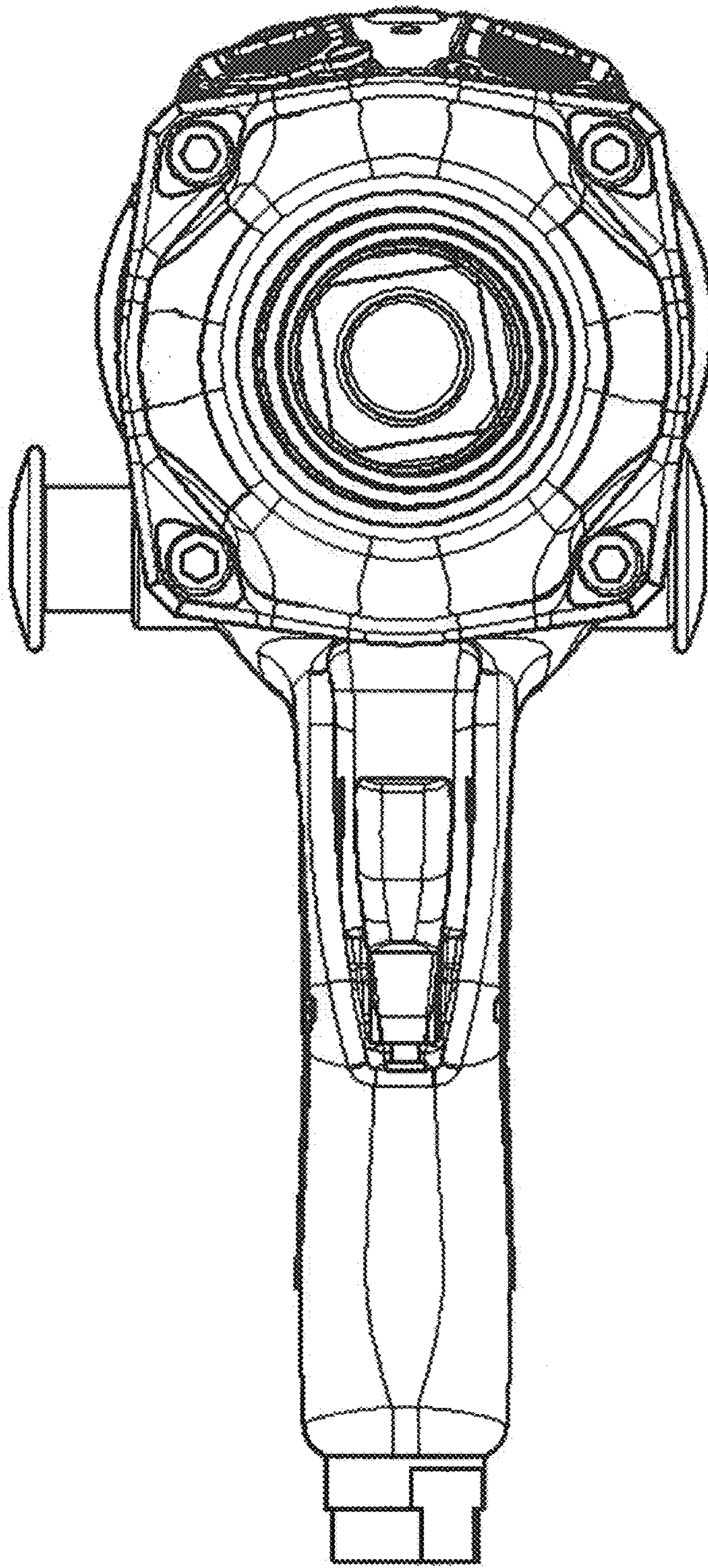


FIG. 3

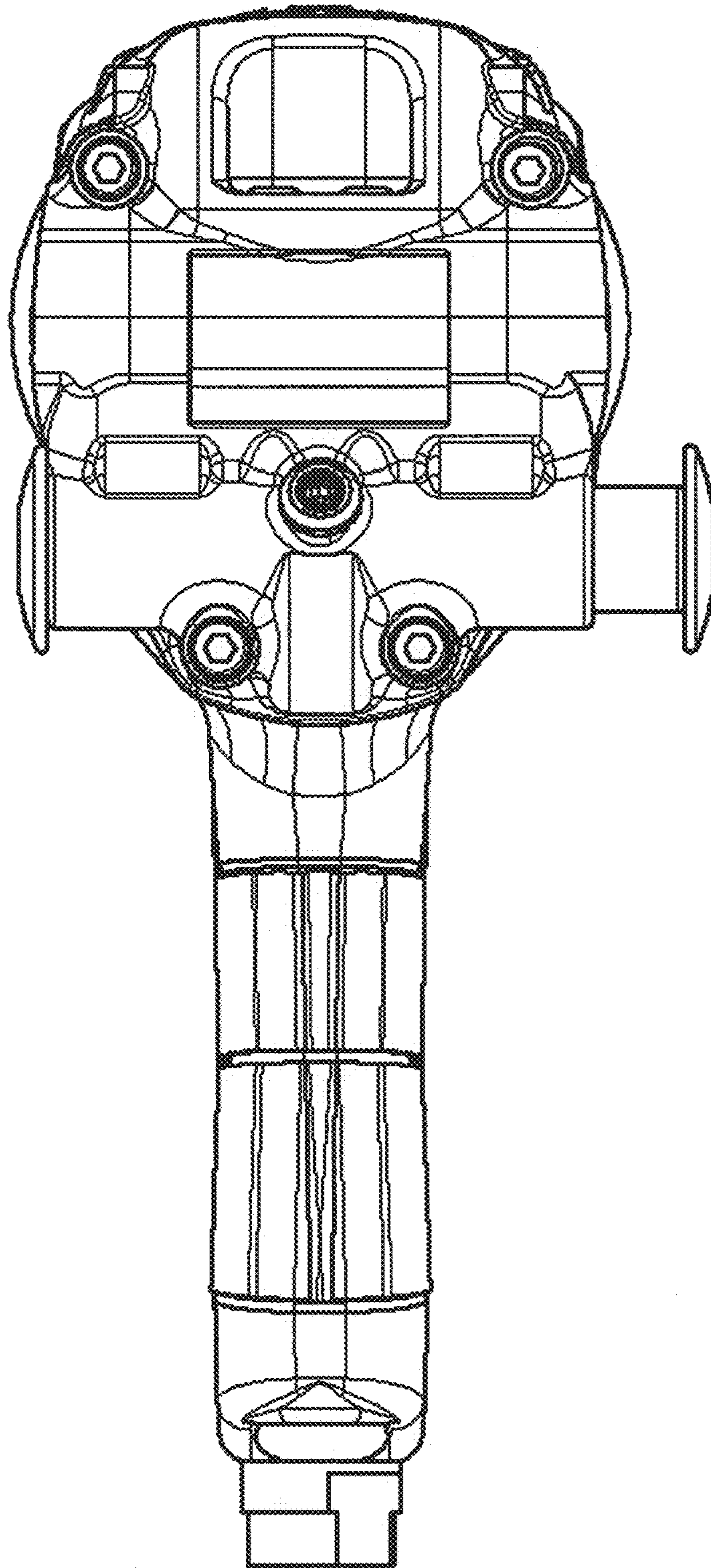


FIG. 4

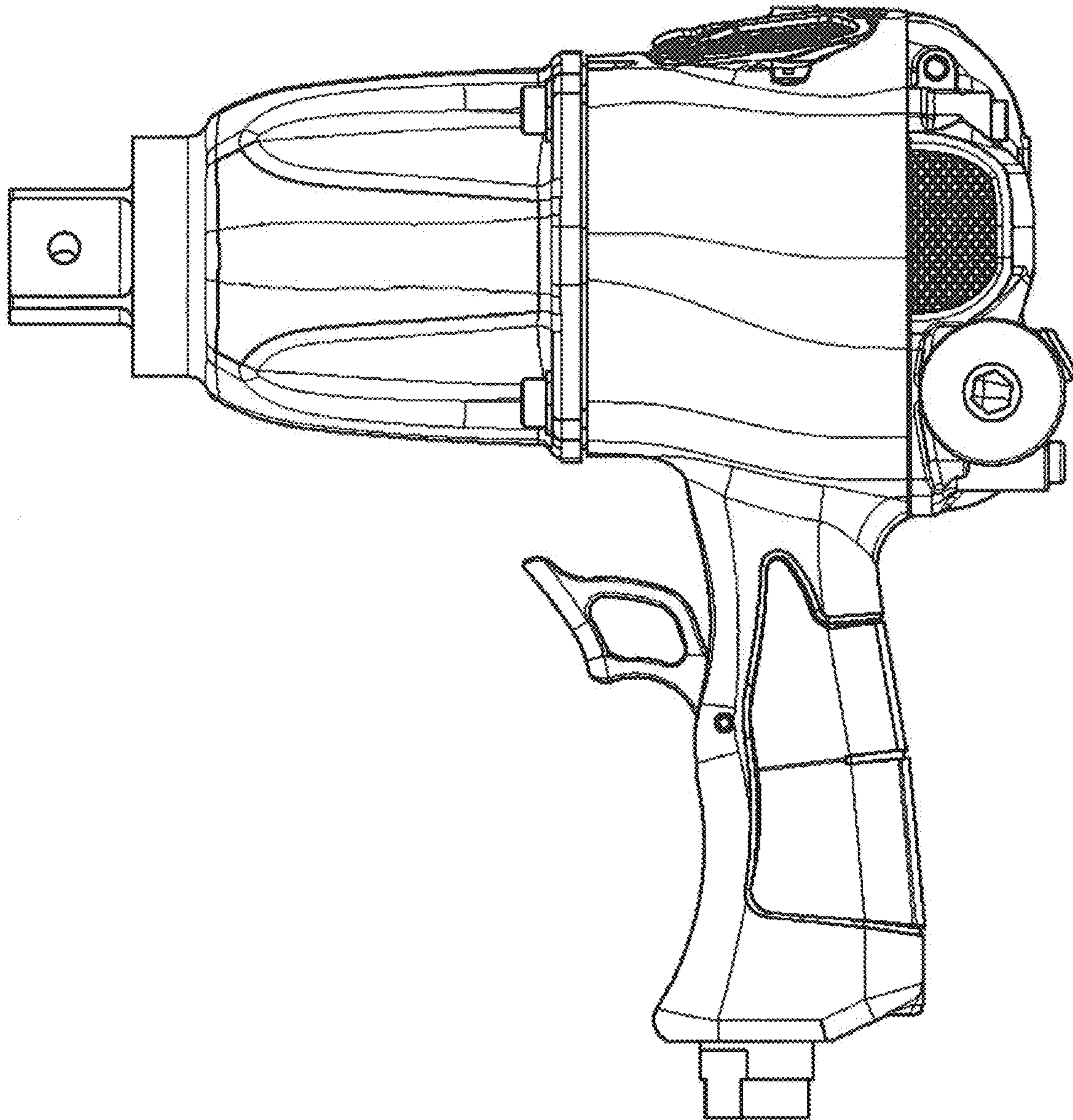


FIG. 5

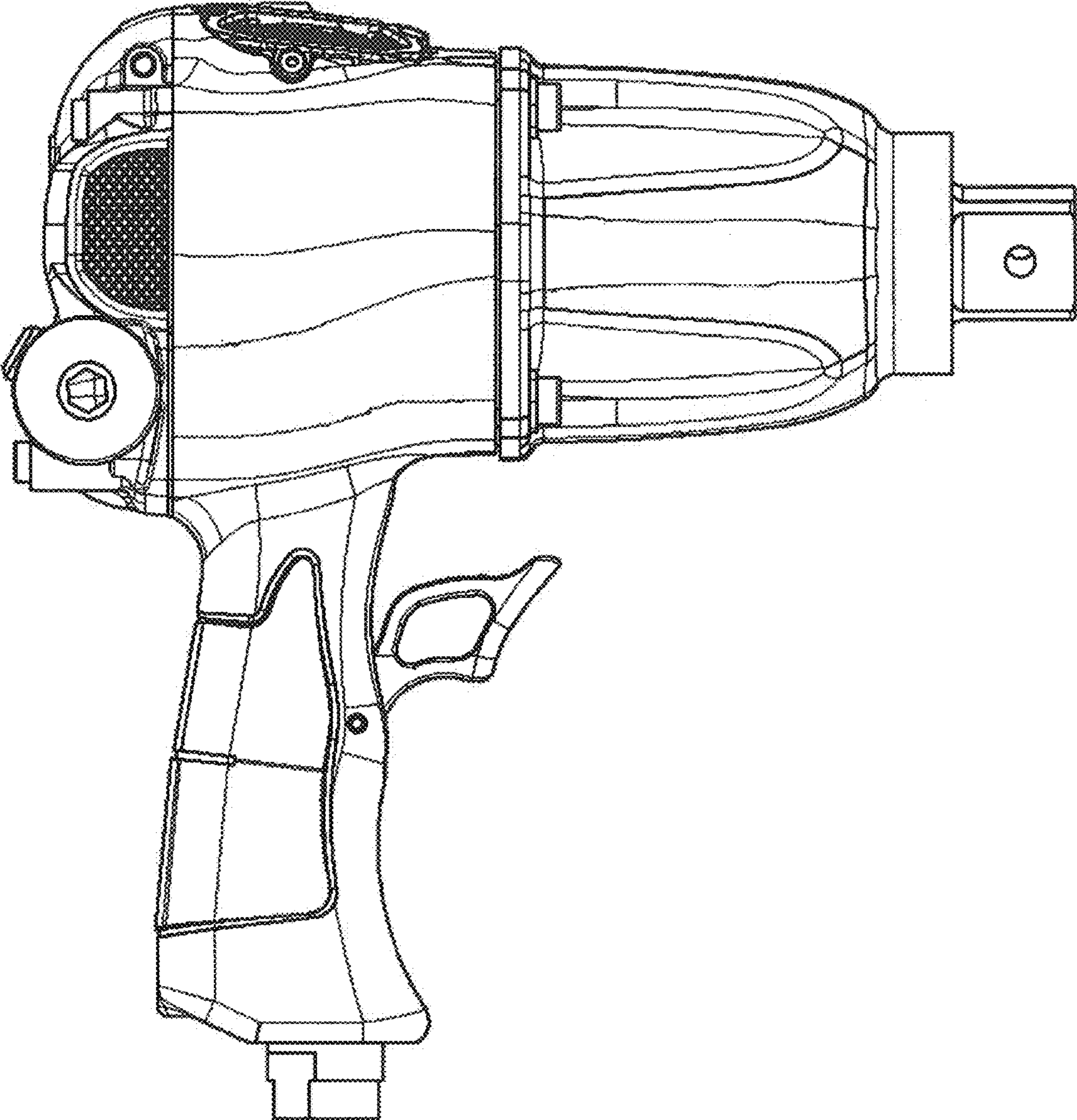


FIG. 6

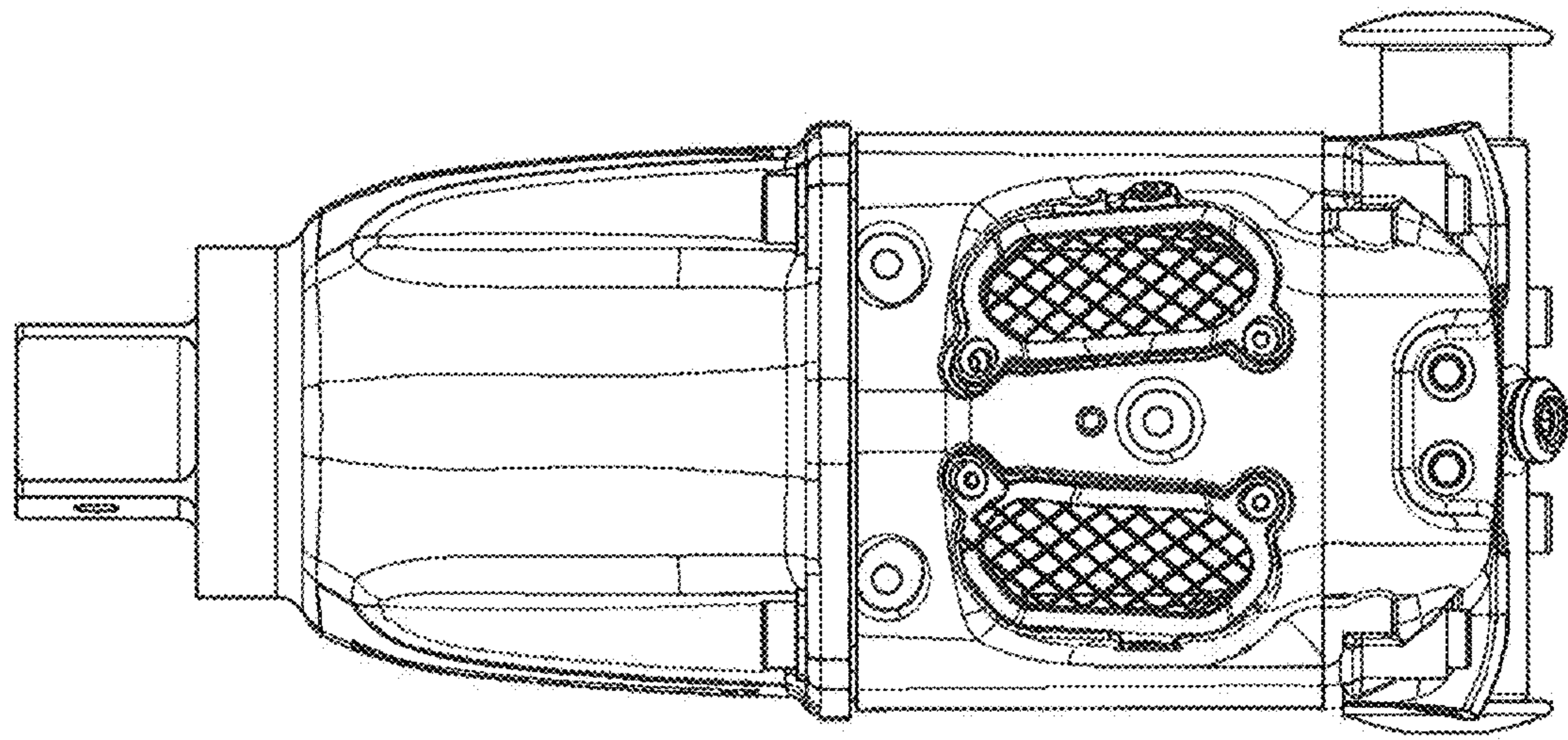


FIG. 7

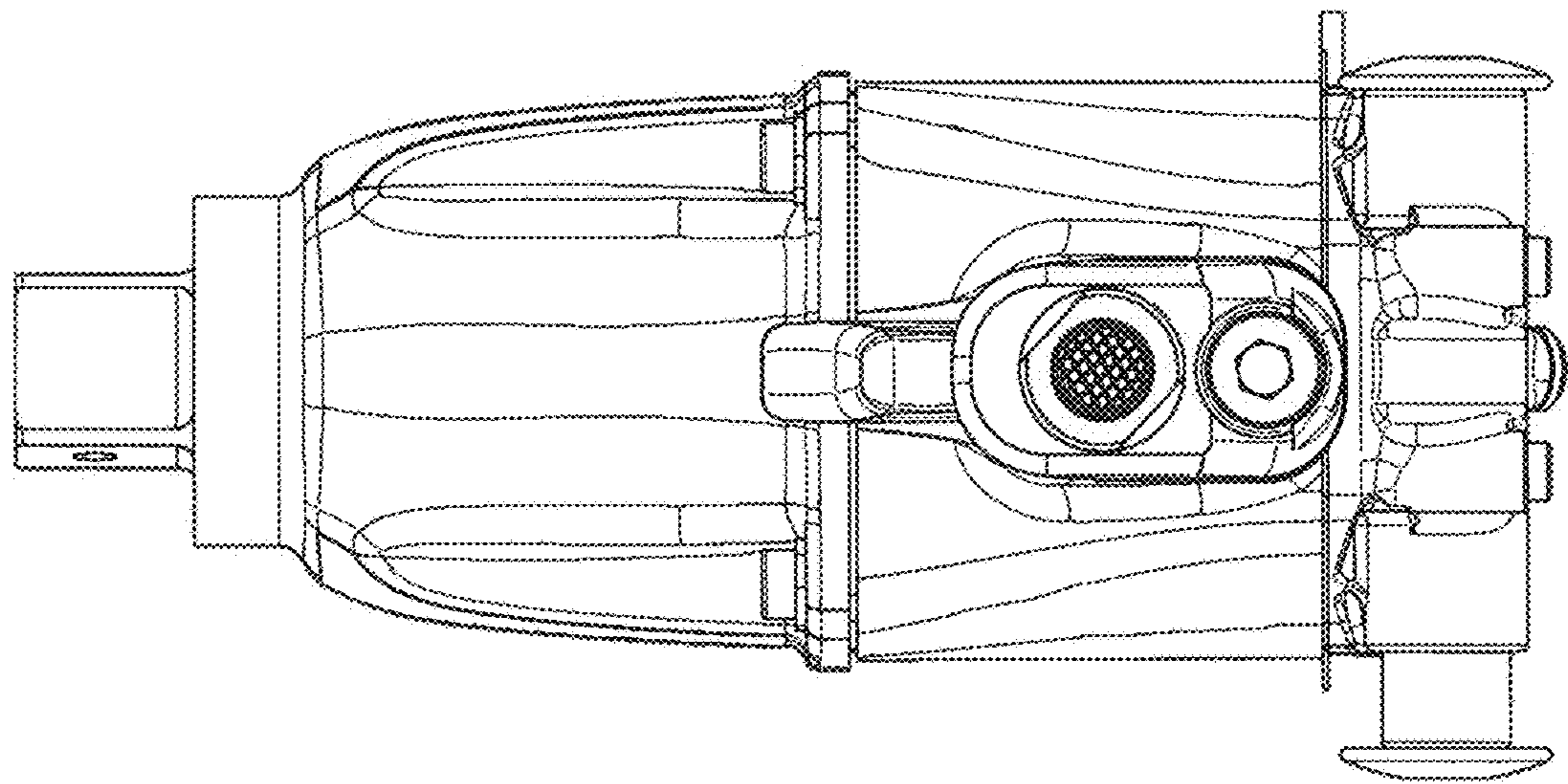


FIG. 8