



US00D853215S

(12) **United States Design Patent**
Bellamy, Sr.

(10) **Patent No.:** **US D853,215 S**

(45) **Date of Patent:** **** Jul. 9, 2019**

- (54) **BOTTLE CAP OPENING AID**
- (71) Applicant: **Ryland C. Bellamy, Sr.**, Church Hill, TN (US)
- (72) Inventor: **Ryland C. Bellamy, Sr.**, Church Hill, TN (US)
- (**) Term: **15 Years**
- (21) Appl. No.: **29/660,616**
- (22) Filed: **Aug. 22, 2018**
- (51) **LOC (11) Cl.** **07-99**
- (52) **U.S. Cl.**
USPC **D8/40**
- (58) **Field of Classification Search**
USPC D8/18, 33-43, 105, 107, 356, 367, 49, D8/50; D7/649, 650
CPC B67B 7/00; B67B 7/0423; B67B 7/12; B67B 7/16; B67B 7/18; B67B 7/32; B67B 7/34; B67B 7/44
See application file for complete search history.

- D249,452 S 9/1978 Gendron
- D261,854 S 11/1981 Nielsen
- 4,337,678 A 7/1982 Mumford
- 4,433,597 A * 2/1984 Rowland B67B 7/16
7/151
- D281,572 S * 12/1985 Gabriel D8/40
- 4,726,264 A 2/1988 Bost
- 4,760,763 A * 8/1988 Trick B67B 7/18
81/3.09
- 4,770,305 A * 9/1988 Su B65D 51/224
215/250
- 5,022,288 A 6/1991 Taktakian
- D320,916 S * 10/1991 Riddle D8/40
- D367,413 S * 2/1996 Ballin D10/46.2
- D440,134 S * 4/2001 Brix-Hansen D8/33
- D480,935 S 10/2003 Farce
- D497,088 S * 10/2004 Davis D8/40
- D538,464 S * 3/2007 Chen D27/148
- D541,122 S * 4/2007 Chaconas B67B 7/18
D8/40
- 7,267,031 B1 9/2007 Burton et al.

(Continued)

Primary Examiner — Elizabeth A. Albert
(74) *Attorney, Agent, or Firm* — Cramer Patent & Design, PLLC; Aaron R. Cramer

(56) **References Cited**

U.S. PATENT DOCUMENTS

- 521,752 A * 6/1894 Abbott B65D 41/12
215/324
- 1,919,866 A 7/1933 Schacht
- 2,046,309 A * 6/1936 Webber B67B 7/26
222/553
- 2,554,173 A * 5/1951 Der Alexanian .. B65D 17/4012
30/446
- 2,631,482 A * 3/1953 Rinehart B67B 7/18
81/3.4
- D184,726 S 3/1959 Gill
- 3,730,025 A * 5/1973 Monnerjahn B67B 7/18
81/3.4
- D231,313 S * 4/1974 Heelan D8/38
- D232,415 S * 8/1974 Matsumoto 81/3.55
- 3,931,905 A * 1/1976 Shumway B67B 7/24
220/278

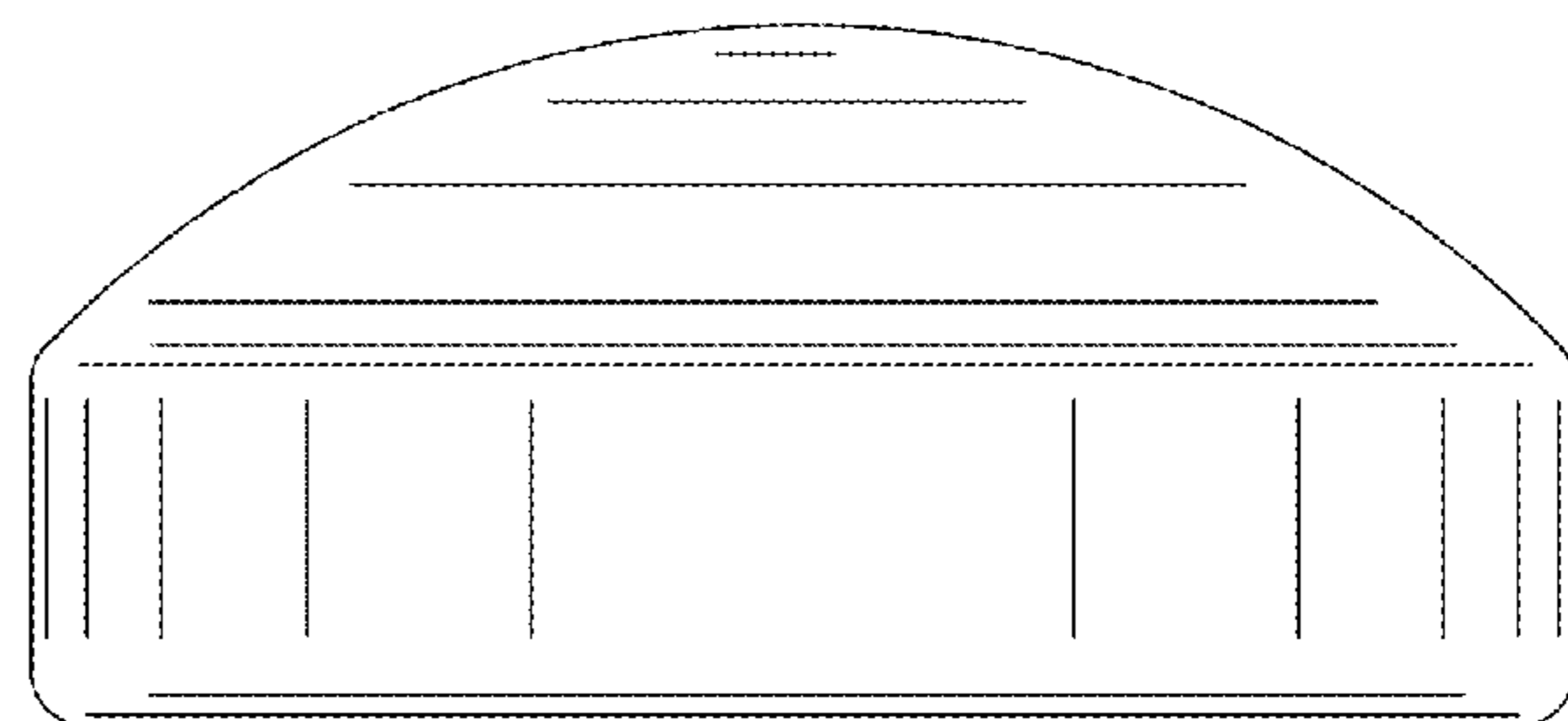
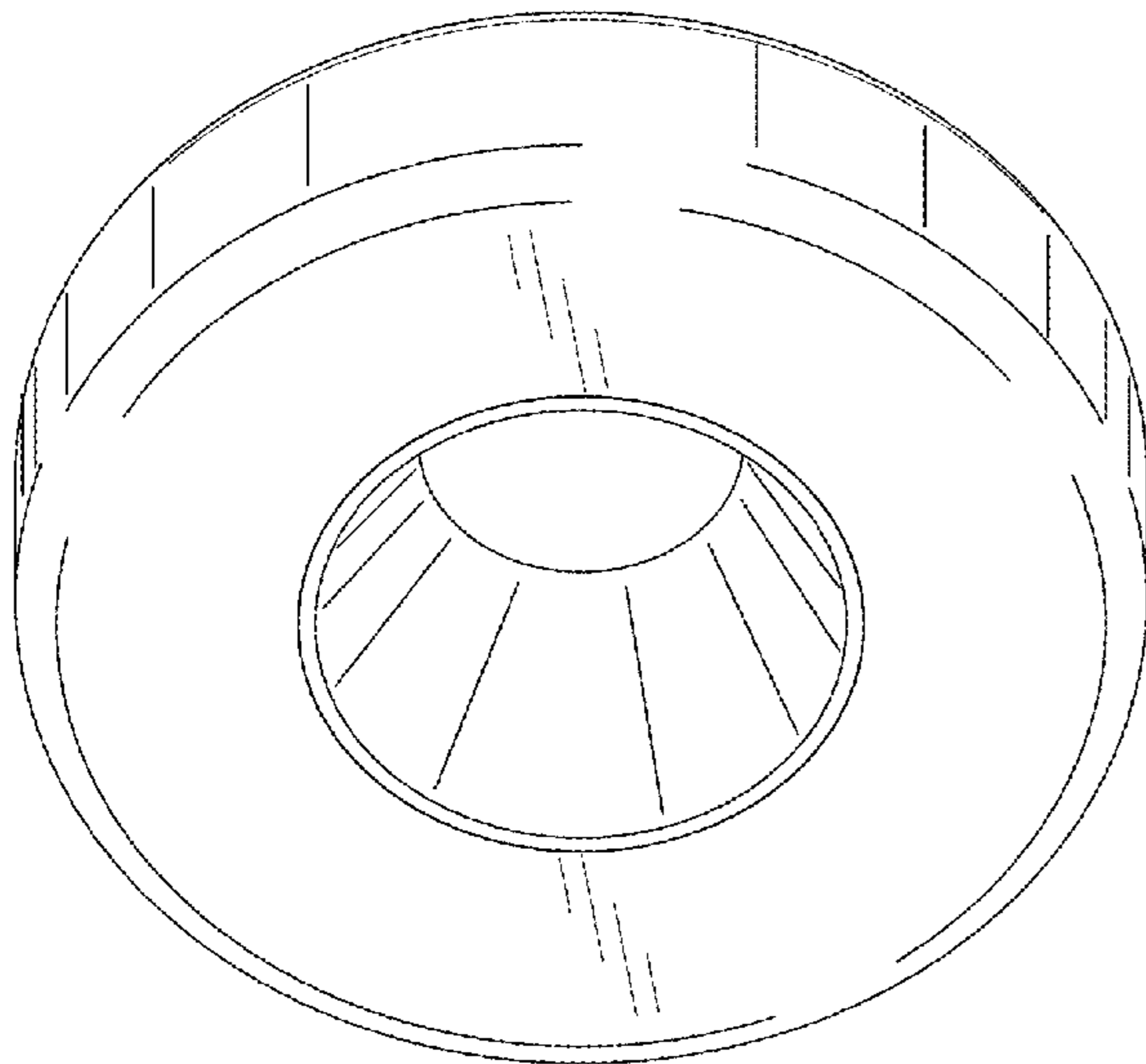
(57) **CLAIM**

The ornamental design for a bottle cap opening aid, as shown and described.

DESCRIPTION

FIG. 1 is a perspective top front right view of a bottle cap opening aid, showing my new design;
FIG. 2 is a perspective bottom view thereof;
FIG. 3 is a front elevation view thereof, wherein the right elevation view, left elevation view, and rear elevation view are identical images thereof;
FIG. 4 is a top plan view thereof; and,
FIG. 5 is a bottom plan view thereof.

1 Claim, 5 Drawing Sheets



(56)

References Cited

U.S. PATENT DOCUMENTS

7,370,557 B2 5/2008 Marxrieser
D655,143 S * 3/2012 Lindsey D8/40
D659,497 S * 5/2012 Blazevic D8/34
D663,179 S * 7/2012 Mauffette D8/41
9,156,668 B1 * 10/2015 Lindsey B67B 7/14
9,187,305 B1 11/2015 Olt
D755,596 S 5/2016 Ranftl
D799,925 S 10/2017 Wheeler et al.
2017/0320647 A1 * 11/2017 Van Rixel B65D 55/14

* cited by examiner

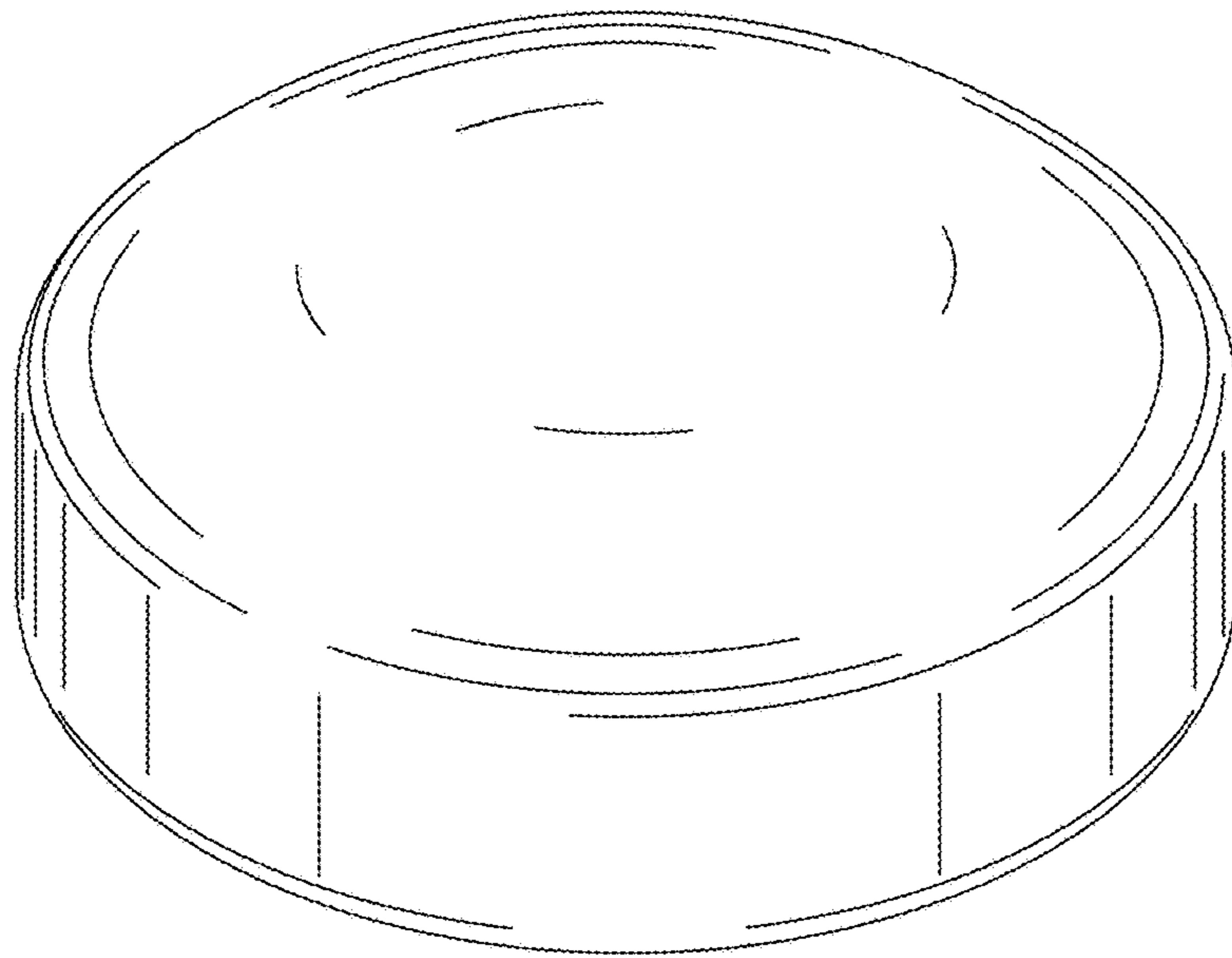


FIG. 1

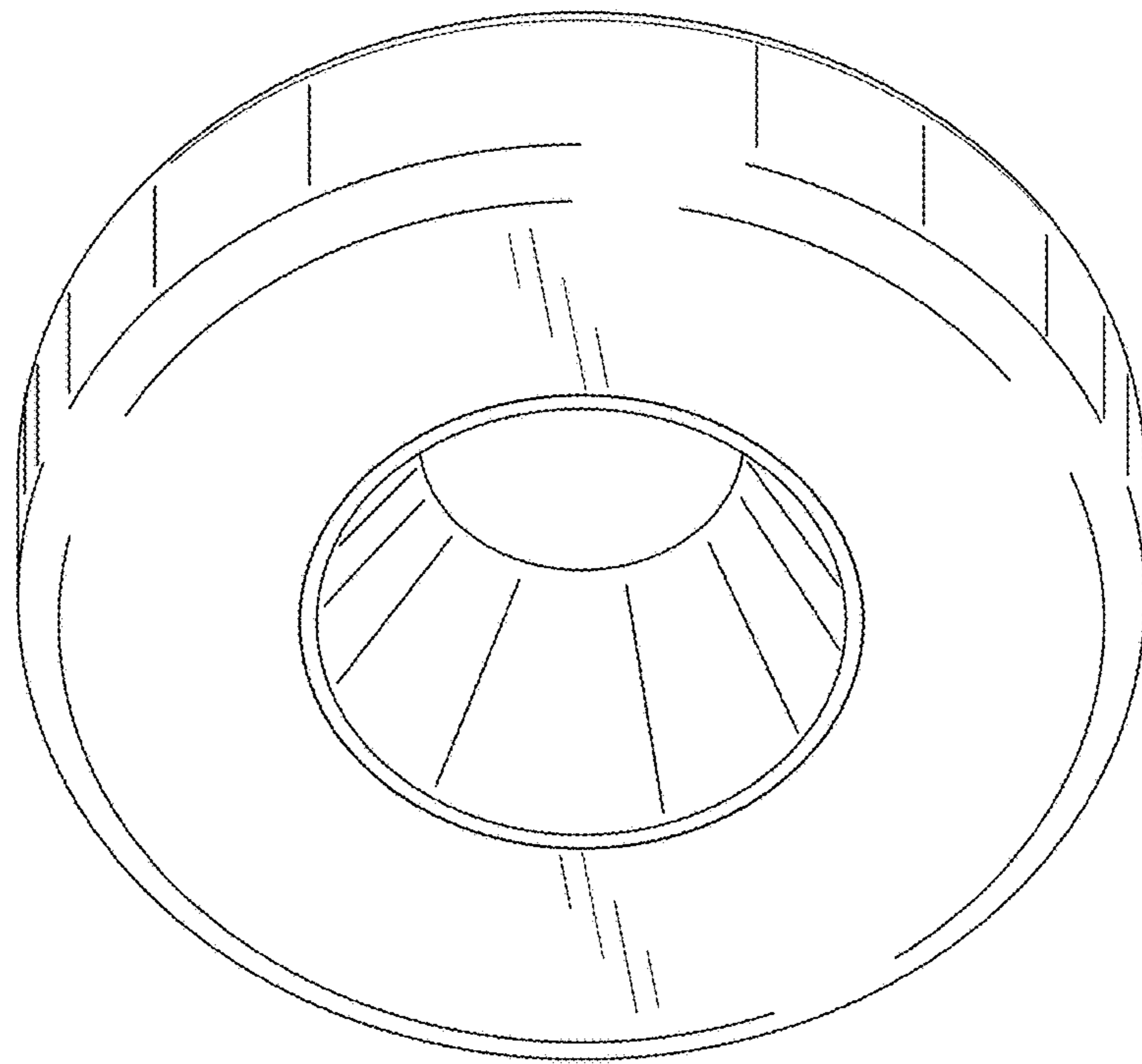


FIG. 2

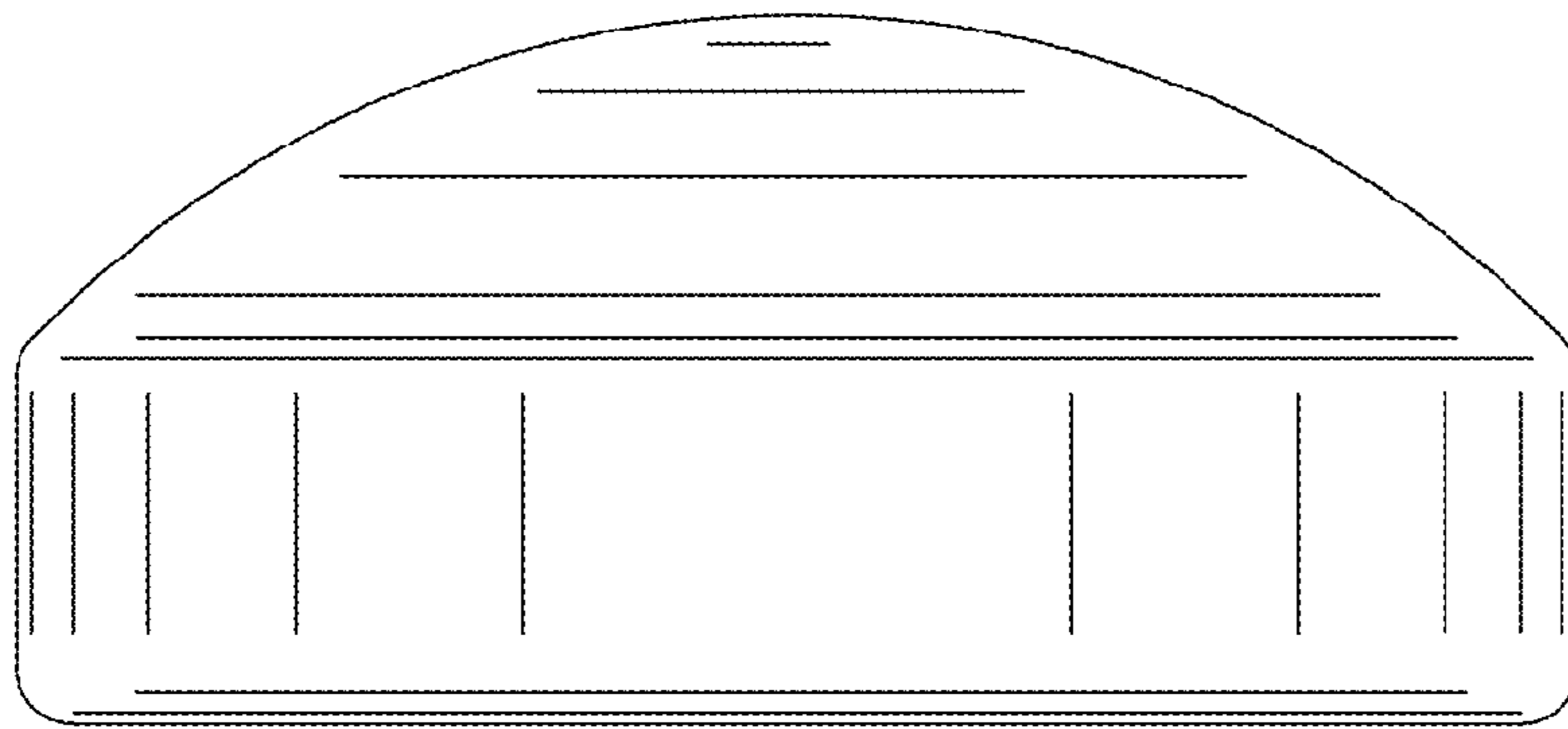


FIG. 3

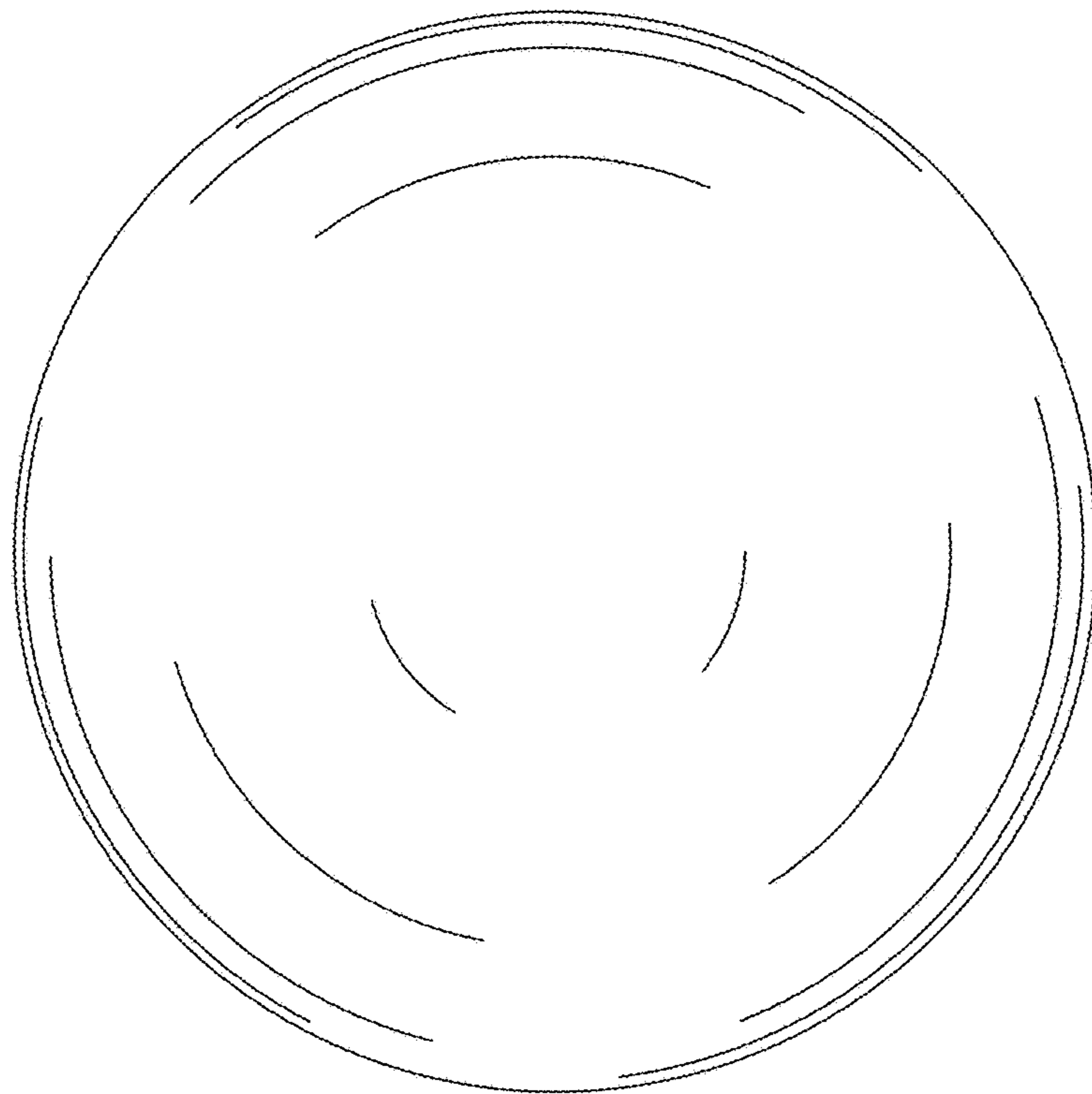


FIG. 4

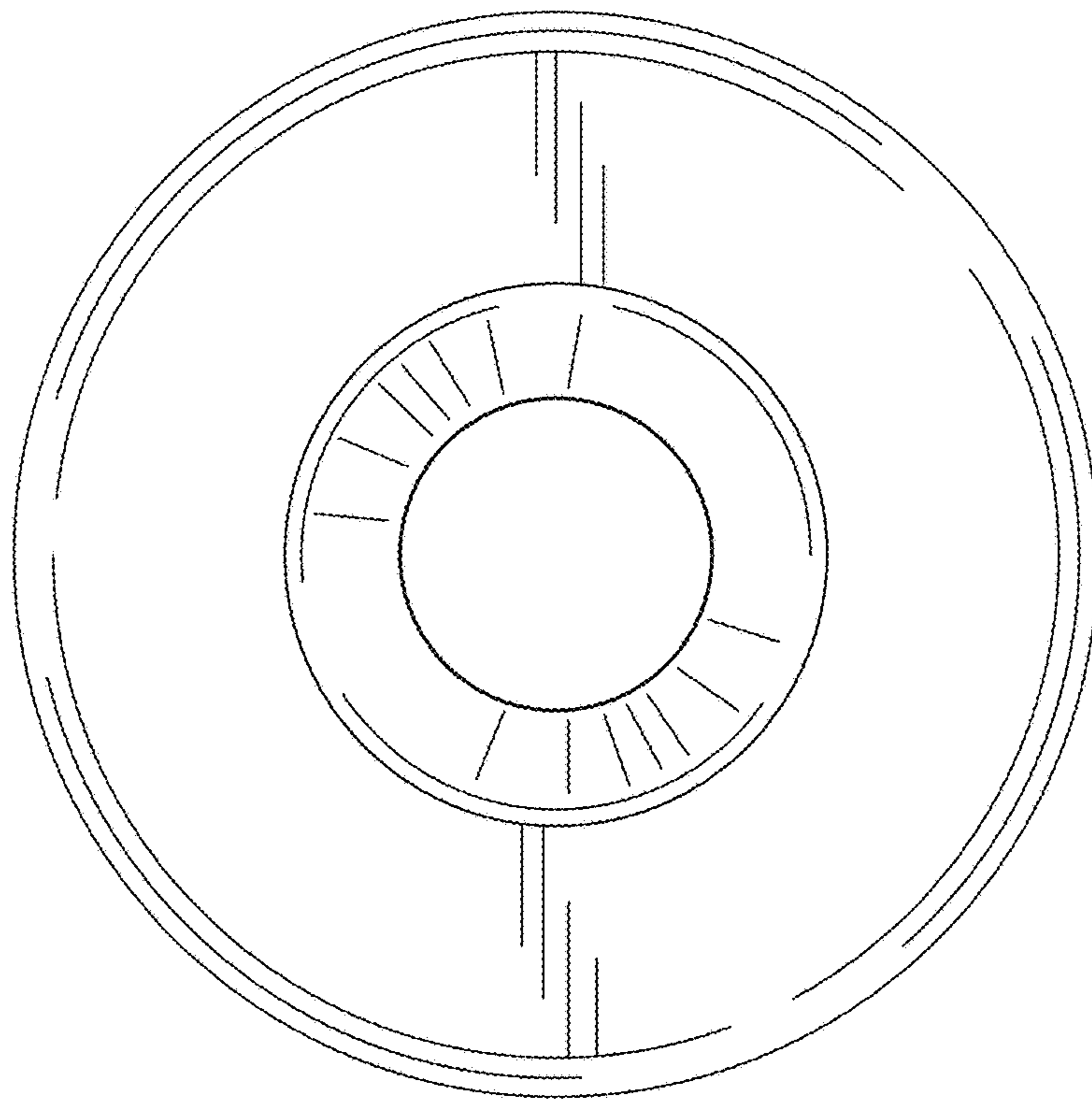


FIG. 5