



US00D853214S

(12) **United States Design Patent**  
**Hu**

(10) **Patent No.:** **US D853,214 S**  
(45) **Date of Patent:** **\*\* Jul. 9, 2019**

- (54) **WRENCH**
- (71) Applicant: **Bobby Hu**, Taichung (TW)
- (72) Inventor: **Bobby Hu**, Taichung (TW)
- (\*\*) Term: **15 Years**
- (21) Appl. No.: **29/649,259**
- (22) Filed: **May 29, 2018**
- (51) **LOC (11) Cl.** ..... **08-05**
- (52) **U.S. Cl.**  
USPC ..... **D8/25**
- (58) **Field of Classification Search**  
USPC ..... D8/25, 60, 97, 107; 16/110.1; 81/467,  
81/476, 478, 480, 60-63, 177.1, 177.85,  
81/121.1, 124.3, 165-170, 110.1, 176.2,  
81/124.6, 176.1, 176.15, 177.2; 192/44,  
192/45, 54.52; D24/133, 145, 147;  
606/54, 59, 62, 63, 60, 64  
CPC .. B25G 1/00; B25B 1/00; B25B 13/00; B25B  
23/00  
See application file for complete search history.

D553,924 S \* 10/2007 Hu ..... D8/25  
D712,222 S \* 9/2014 Cummings ..... D8/25  
D812,225 S \* 3/2018 Kaupp ..... D24/154

\* cited by examiner

*Primary Examiner* — Randall H Gholson  
(74) *Attorney, Agent, or Firm* — WPAT, PC

(57) **CLAIM**

The ornamental design for a wrench, as shown and described.

**DESCRIPTION**

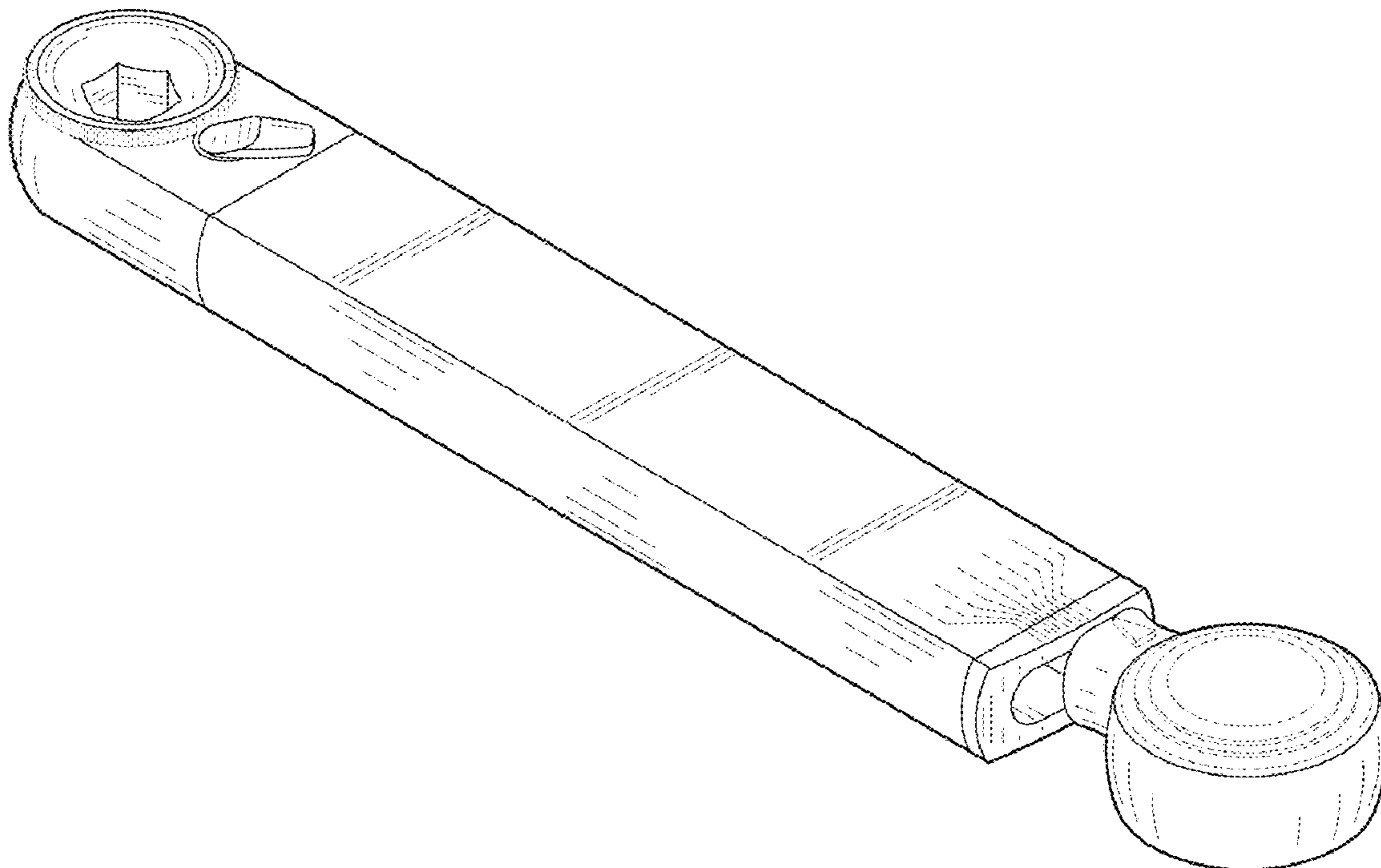
FIG. 1 is a perspective view of a wrench showing my new design;  
FIG. 2 is a front elevational view thereof;  
FIG. 3 is a rear elevational view thereof;  
FIG. 4 is a left side elevational view thereof;  
FIG. 5 is a right side elevational view thereof;  
FIG. 6 is a top plan view thereof;  
FIG. 7 is a bottom plan view thereof; and,  
FIG. 8 is another perspective view thereof.  
The broken lines shown are included for the purpose of illustrating the unclaimed portions of the article and form no part of the claim.

(56) **References Cited**

U.S. PATENT DOCUMENTS

D492,556 S \* 7/2004 Barry ..... D8/25  
D553,456 S \* 10/2007 Hu ..... D8/25

**1 Claim, 7 Drawing Sheets**



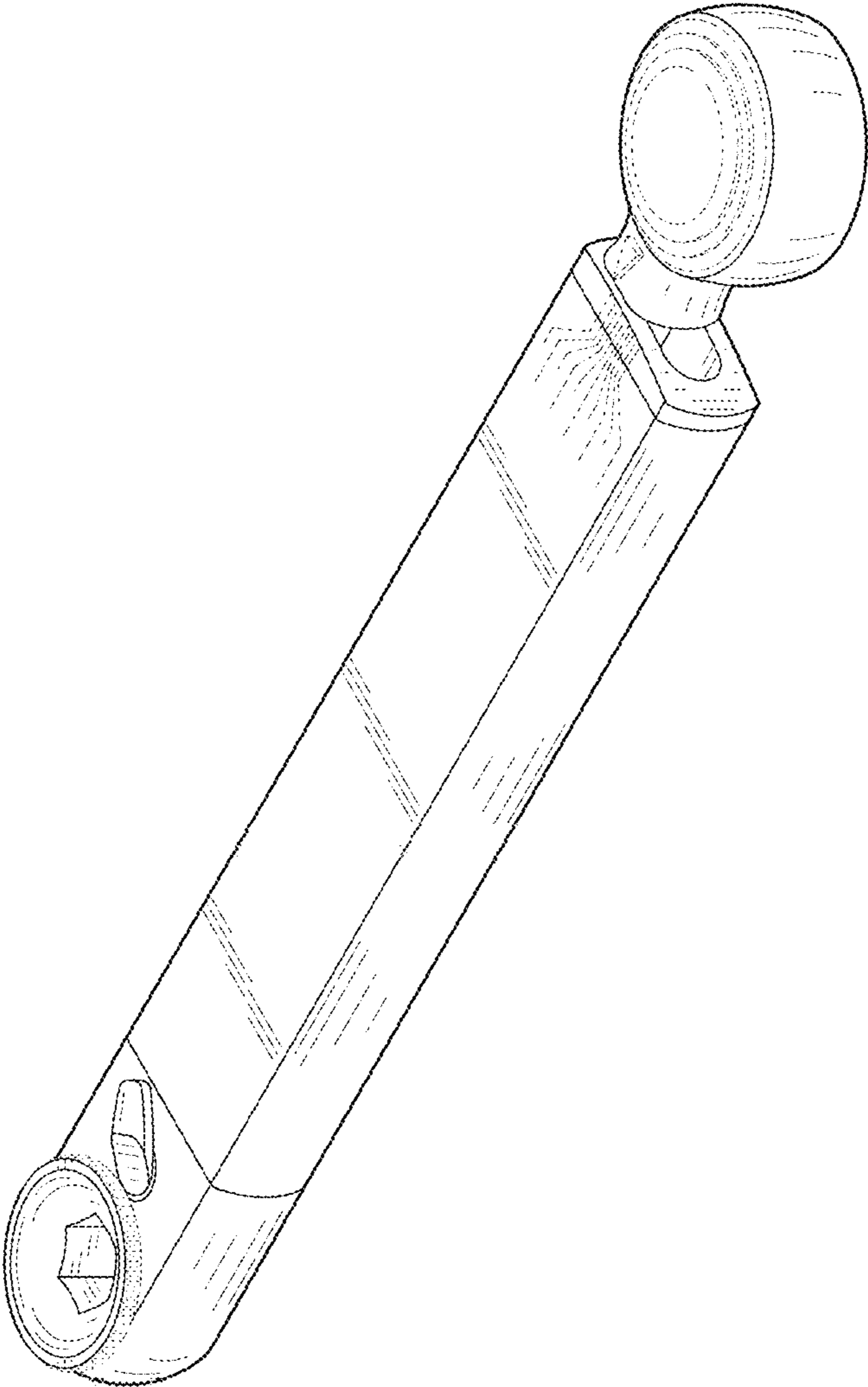


FIG. 1

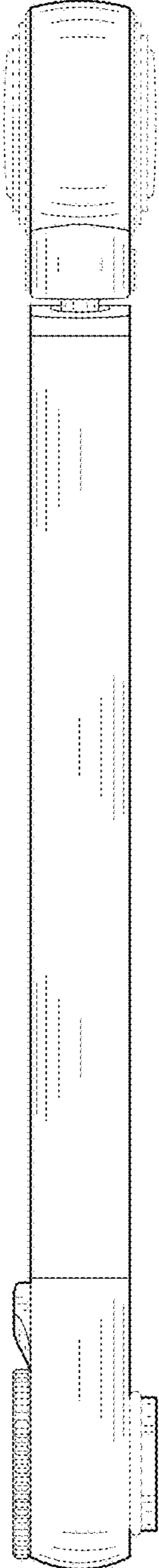


FIG. 2

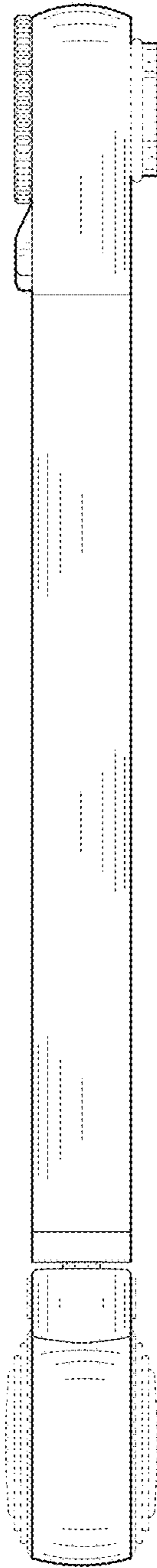


FIG. 3

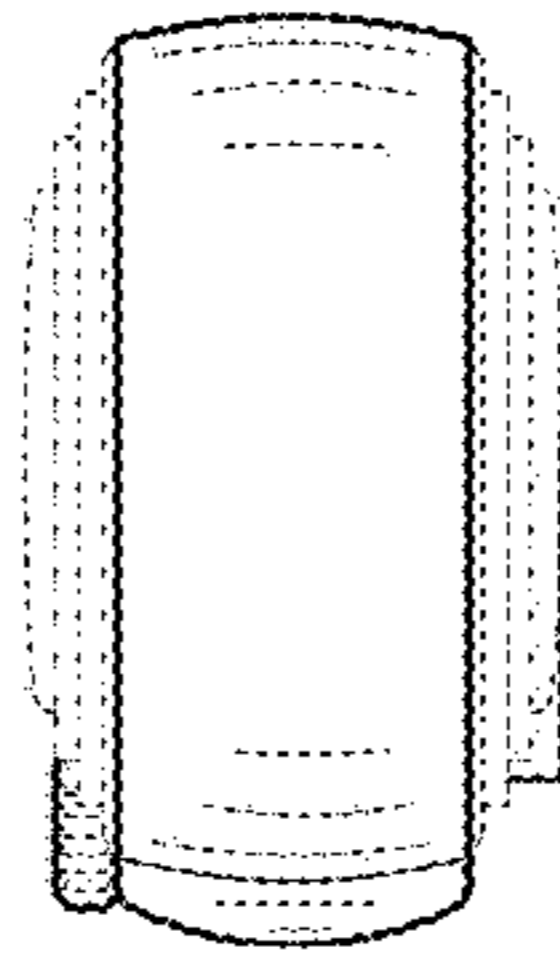


FIG. 5

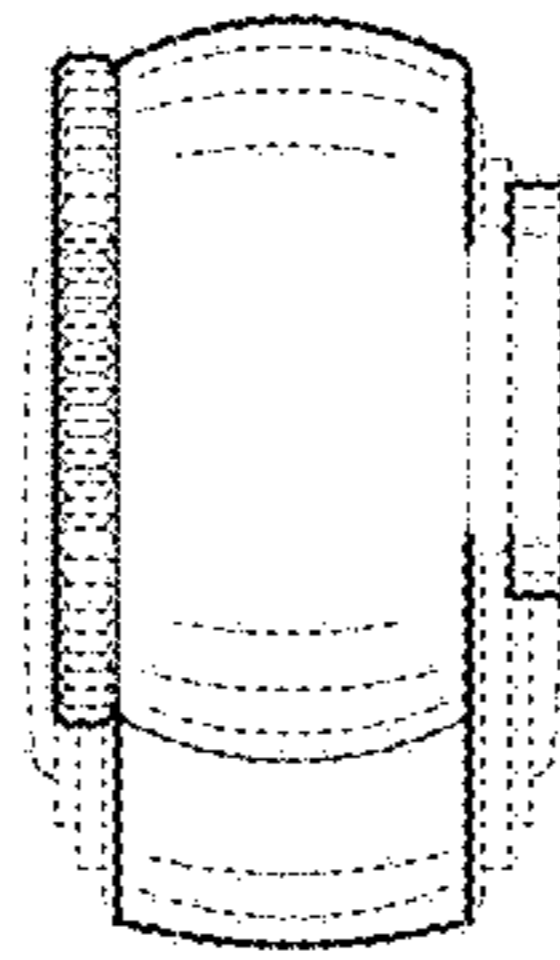


FIG. 4

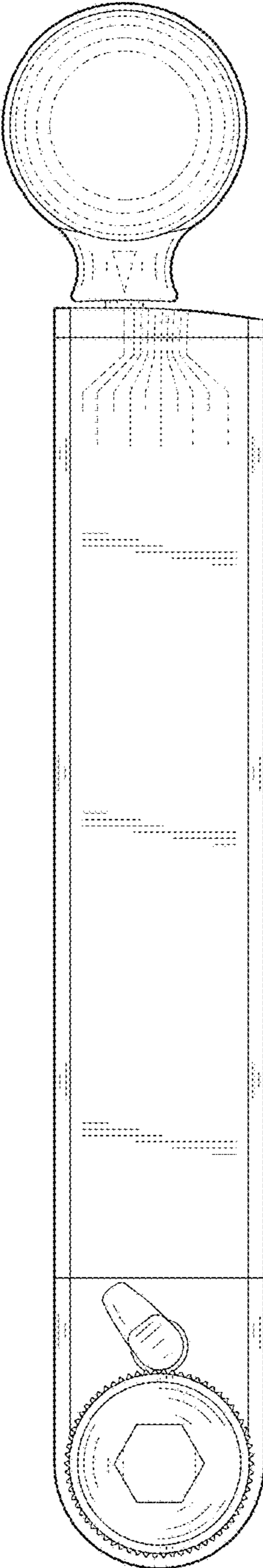


FIG. 6

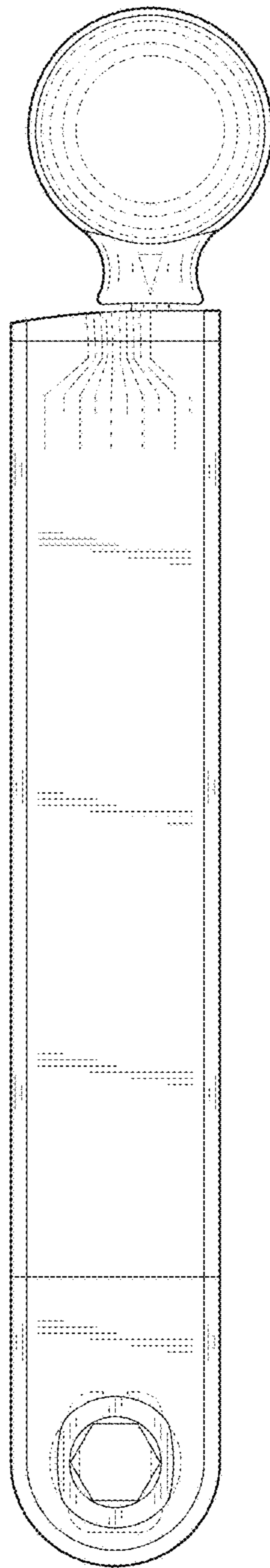


FIG. 7

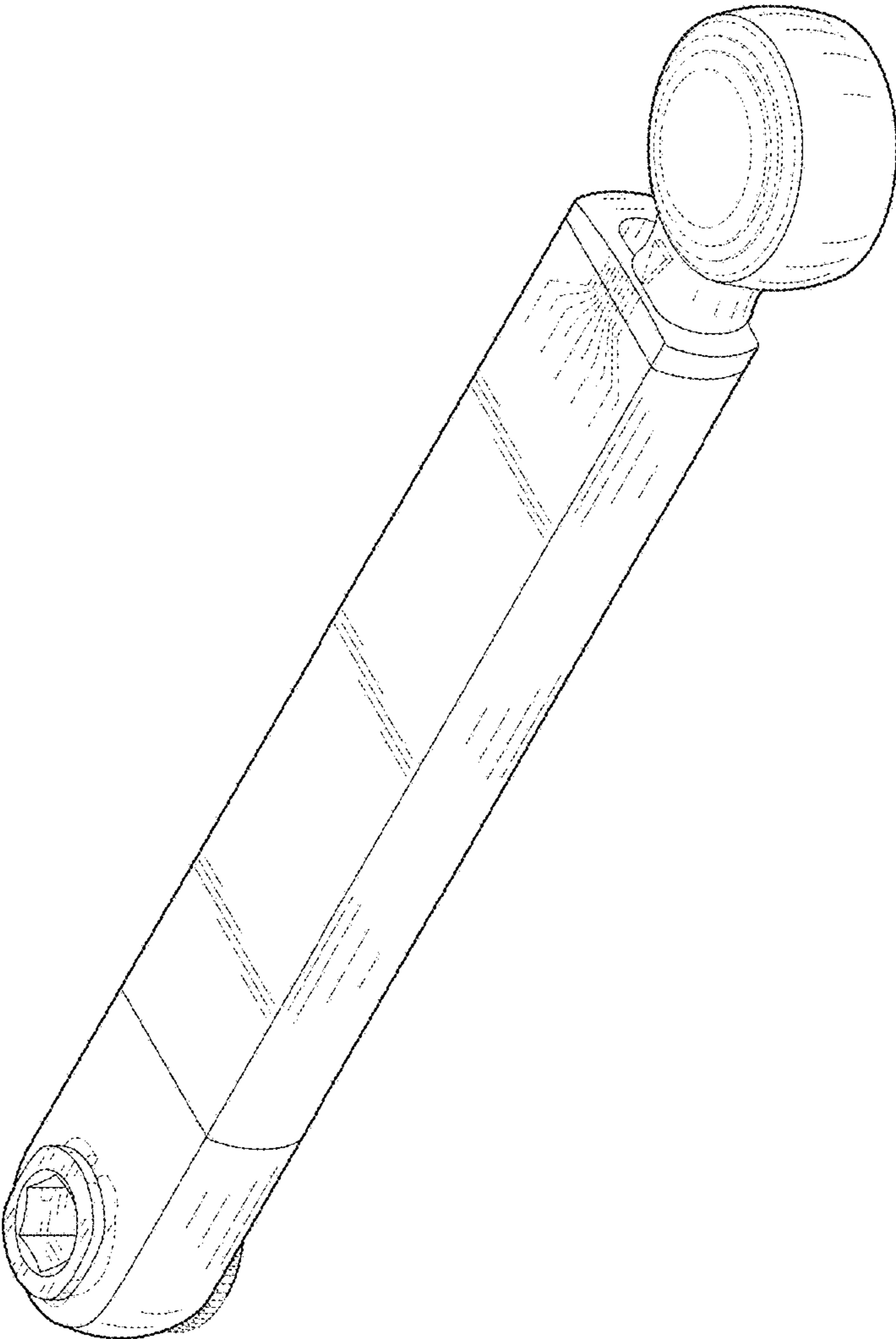


FIG. 8