



US00D853208S

(12) **United States Design Patent** (10) **Patent No.:** **US D853,208 S**
Maloney et al. (45) **Date of Patent:** **** Jul. 9, 2019**

(54) **STRAWBERRY TOOL**

(71) Applicant: **FJORD CAPITAL LLC**, Chicago, IL (US)

(72) Inventors: **Deiken Maloney**, Chicago, IL (US);
Mark Purtell, Park Ridge, IL (US)

(73) Assignee: **FJORD CAPITAL LLC**, Park Ridge, IL (US)

(*) Notice: This patent is subject to a terminal disclaimer.

(**) Term: **15 Years**

(21) Appl. No.: **29/548,829**

(22) Filed: **Dec. 16, 2015**

(51) **LOC (11) Cl.** **07-04**

(52) **U.S. Cl.**
USPC **D7/693**

(58) **Field of Classification Search**
USPC D7/680-697
CPC A47J 25/00; A47J 17/04
See application file for complete search history.

(56) **References Cited**

U.S. PATENT DOCUMENTS

| | | | | | |
|-----------|-----|---------|-----------|-------|------------------------|
| 828,452 | A * | 8/1906 | Smith | | A01B 1/165 294/50.7 |
| 1,206,403 | A * | 11/1916 | Walters | | B23D 59/006 30/124 |
| 1,213,361 | A | 1/1917 | Hayward | | |
| 1,270,040 | A * | 6/1918 | Henderson | | A47J 17/02 30/279.6 |
| 1,371,948 | A * | 3/1921 | Szutz | | A47J 25/00 30/316 |
| 1,530,822 | A * | 3/1925 | Gibson | | A47J 25/00 30/279.2 |

(Continued)

FOREIGN PATENT DOCUMENTS

CN 2666309 Y 12/2004
DE 3524070 A1 1/1987

(Continued)

OTHER PUBLICATIONS

deBuyer Universal Corer, website <<http://www.eurodib.com/de-buyer-universal-corer-261201?currency=USD>>, retrieved Sep. 9, 2015.

(Continued)

Primary Examiner — Terry A Wallace

(74) *Attorney, Agent, or Firm* — Flener IP & Business Law; Zareefa B. Flener

(57) **CLAIM**

The ornamental design for a strawberry tool, as shown and described.

DESCRIPTION

FIG. 1 is a perspective view of a strawberry tool showing our new design.

FIG. 2 is a perspective view of an alternate embodiment of FIG. 1.

FIG. 3 is a right side view of FIG. 1.

FIG. 4 is a front view of FIG. 1.

FIG. 5 is a left side view of FIG. 1.

FIG. 6 is a rear view of FIG. 1.

FIG. 7 is a top plan view of FIG. 1.

FIG. 8 is a bottom plan view of FIG. 1.

FIG. 9 is a right side view of FIG. 2.

FIG. 10 is a front view of FIG. 2.

FIG. 11 is a left side view of FIG. 2.

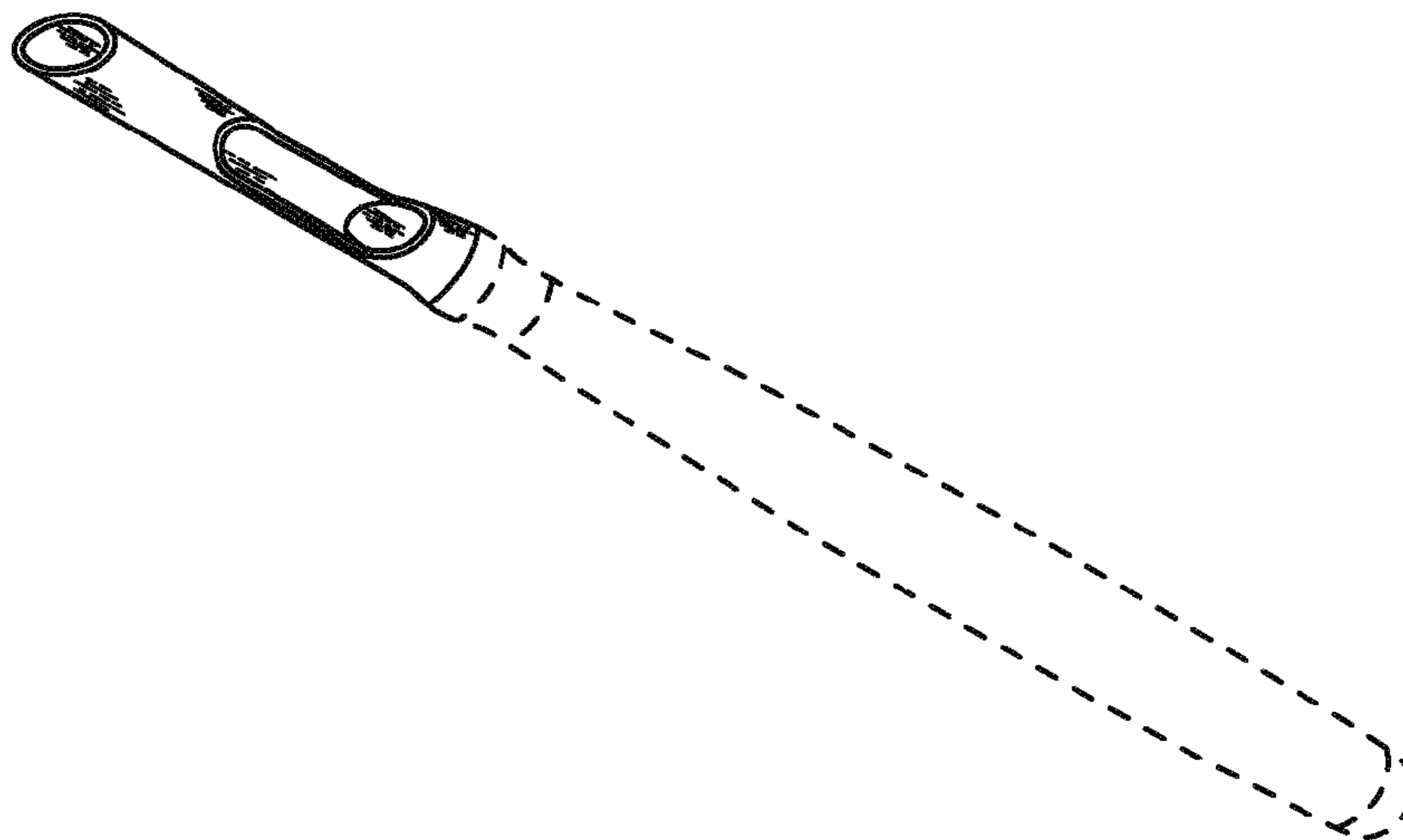
FIG. 12 is a rear view of FIG. 2.

FIG. 13 is a top plan view of FIG. 2; and,

FIG. 14 is a bottom plan view of FIG. 2.

The broken lines of the handle are for illustrative purposes only and form no part of the claimed design.

1 Claim, 3 Drawing Sheets



(56)

References Cited

U.S. PATENT DOCUMENTS

2,577,407 A * 12/1951 Dent A47J 25/00
30/280
2,990,615 A * 7/1961 Ohler A47J 25/00
172/21
4,300,286 A 11/1981 Panchula
5,056,223 A * 10/1991 Buck A47J 25/00
30/113.1
5,092,043 A * 3/1992 Shirkey A47J 25/00
30/113.1
D395,209 S * 6/1998 Deglon D7/693
6,032,368 A * 3/2000 Huang A47J 25/00
30/113.1
D422,854 S * 4/2000 Wallays D7/696
2003/0037440 A1 * 2/2003 Raz A47J 25/00
30/113.1
2010/0003372 A1 * 1/2010 Golani A47J 43/18
426/92
2011/0138630 A1 * 6/2011 Tweg A47J 25/00
30/113.1

FOREIGN PATENT DOCUMENTS

GB 260407 A 11/1926
GB 393157 A 6/1933
JP H01160924 U 11/1989

OTHER PUBLICATIONS

YSTD Stainless Steel Core Seed Remover, on sale at Amazon
<<https://www.amazon.com/YSTD%C2%AE-Stainless-Steel-Remover-Kitchen/dp/B00QM3RTW6>>, retrieved Sep. 9, 2015.
Multifunction Vegetable Cutter, on sale at ALiExpress <<https://www.aliexpress.com/item/Multifunction-Vegetable-Cutter-Kitchenware-Home-Kitchen-Tool-3-5-20cm-purple-Apple-coring-device-shredder-Sharp/32327864961.html>>, retrieved Sep. 9, 2015.

* cited by examiner

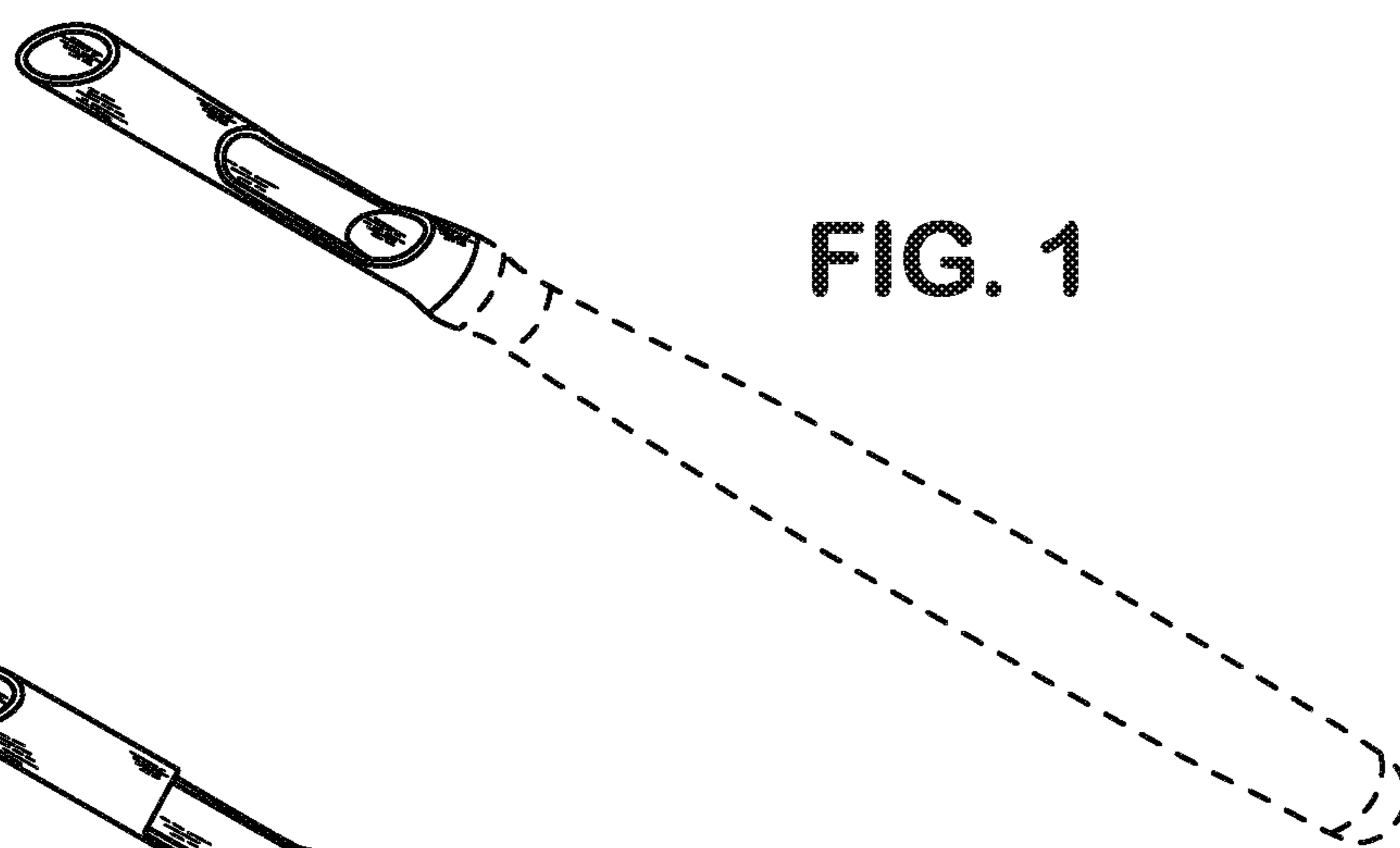


FIG. 1

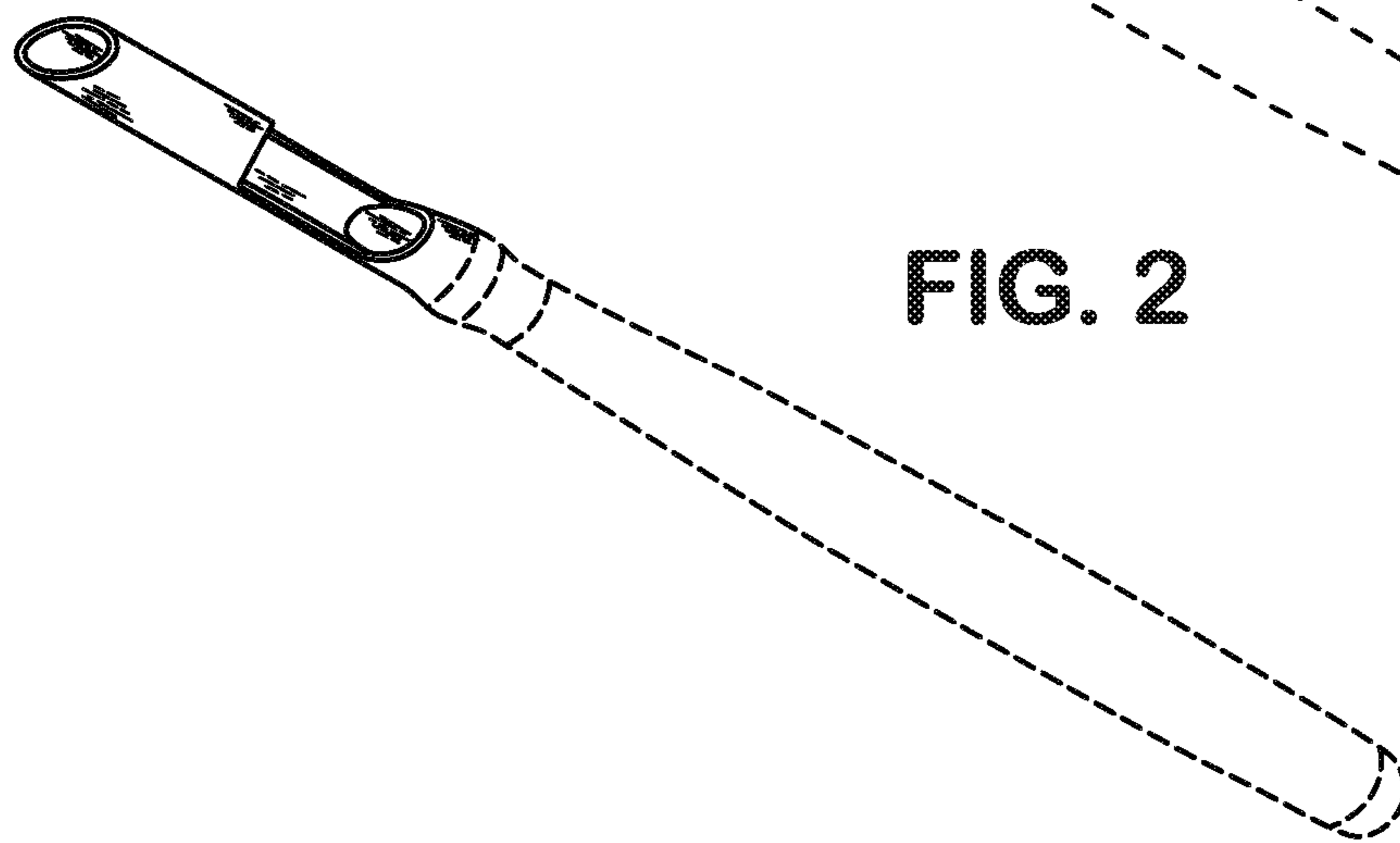


FIG. 2

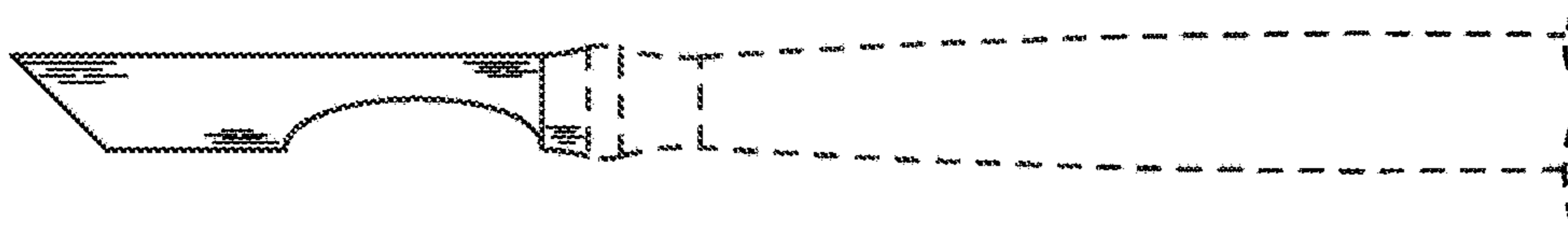


FIG. 3

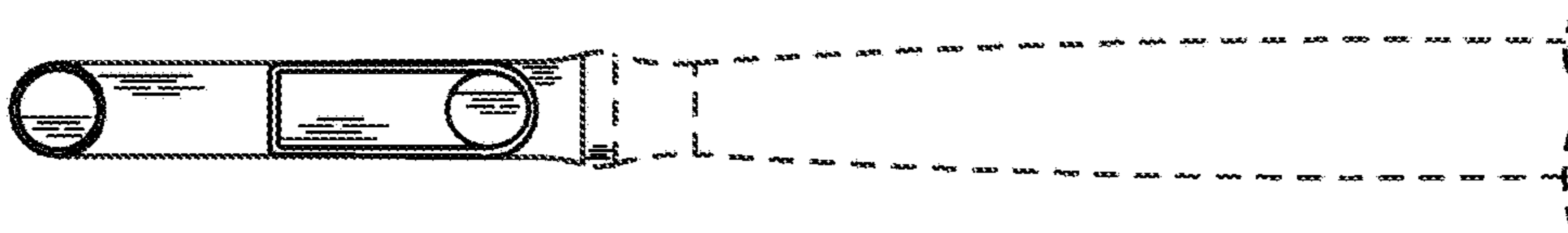


FIG. 4

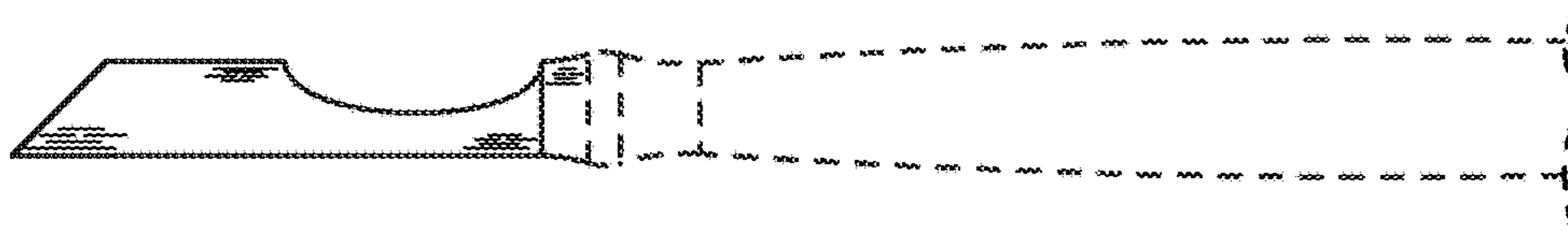


FIG. 5

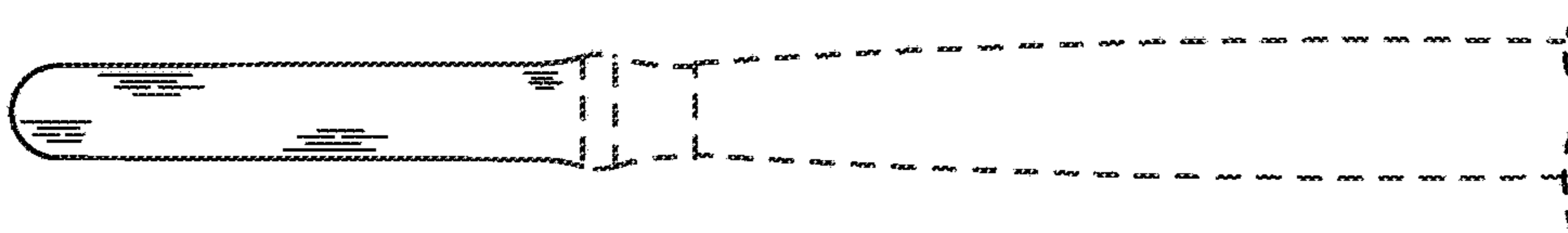


FIG. 6



FIG. 7



FIG. 8

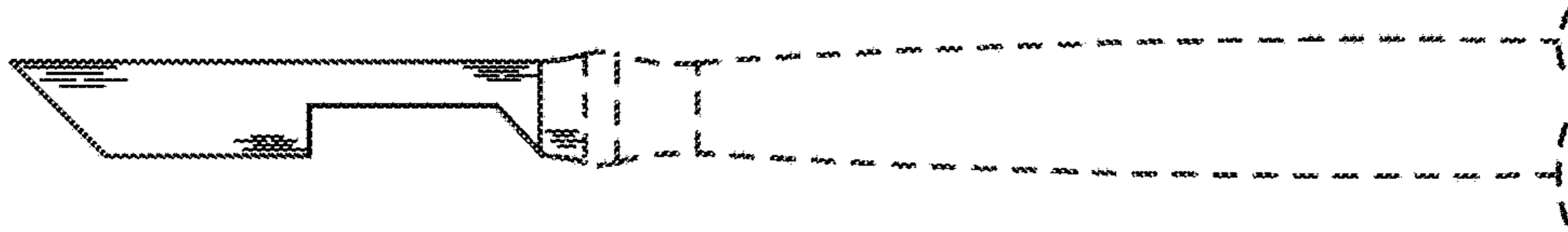


FIG. 9

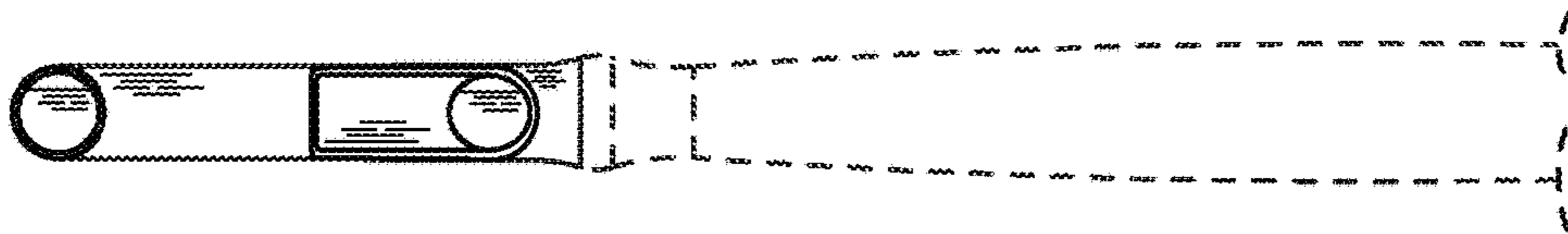


FIG. 10

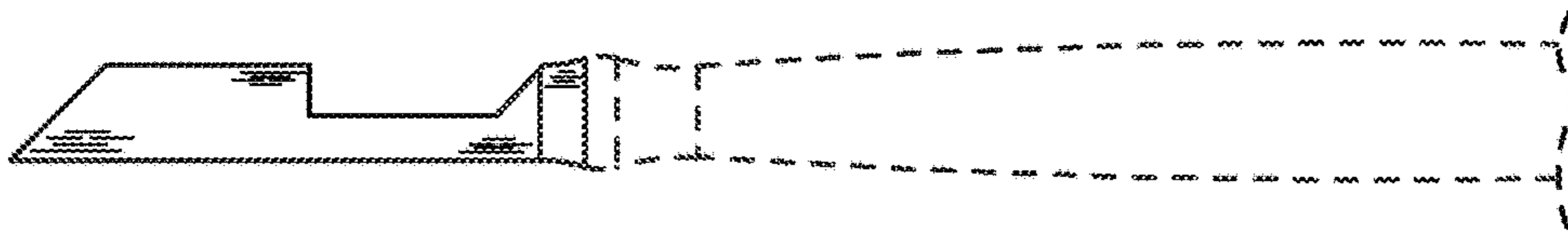


FIG. 11

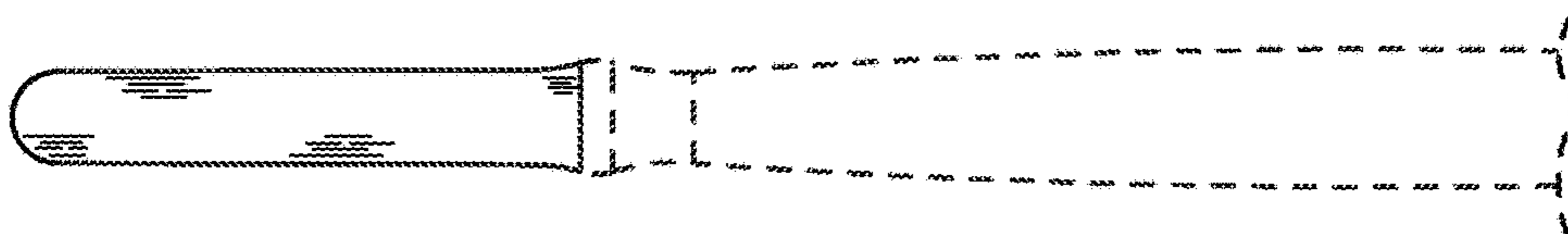


FIG. 12



FIG. 13



FIG. 14