



(56)

References Cited

U.S. PATENT DOCUMENTS

D528,857 S 9/2006 Zemel  
 D529,333 S 10/2006 Zemel  
 D529,335 S 10/2006 Zemel  
 D531,853 S 11/2006 Zemel  
 D533,397 S 12/2006 Zemel  
 D534,001 S 12/2006 Zemel  
 D535,147 S 1/2007 Zemel  
 D535,519 S 1/2007 Zemel  
 D541,602 S \* 5/2007 Yu ..... D7/688  
 D544,750 S 6/2007 Zemel  
 D545,120 S 6/2007 Zemel  
 D545,121 S 6/2007 Zemel  
 D550,504 S 9/2007 Zemel  
 D562,062 S 2/2008 Zemel  
 D562,064 S 2/2008 Zemel  
 D563,675 S 3/2008 Zemel  
 D564,292 S 3/2008 Zemel  
 D566,460 S 4/2008 Zemel  
 D569,174 S 5/2008 Zemel  
 D572,079 S 7/2008 Zemel  
 D572,080 S 7/2008 Zemel  
 D574,184 S 8/2008 Zemel  
 D578,826 S 10/2008 Lu  
 D579,269 S 10/2008 Zemel  
 D579,668 S 11/2008 Zemel

D580,659 S 11/2008 Zemel  
 D588,868 S 3/2009 Zemel  
 D618,499 S 6/2010 Zemel  
 D622,542 S 8/2010 Zemel  
 D629,650 S 12/2010 Funka, Jr. et al.  
 D631,289 S 1/2011 Tuli  
 D633,761 S \* 3/2011 Lion ..... D7/692  
 D634,166 S \* 3/2011 Lion ..... D7/692  
 D658,433 S 5/2012 Zemel  
 D658,937 S 5/2012 Zemel  
 D660,141 S 5/2012 Zemel  
 D663,159 S 7/2012 Zemel  
 D689,346 S \* 9/2013 Lion ..... D7/692  
 D690,153 S 9/2013 Zemel  
 D702,996 S 4/2014 Zemel et al.  
 D737,626 S 9/2015 Lu  
 D773,242 S 12/2016 Zemel et al.  
 2006/0255605 A1 \* 11/2006 Yu ..... A47J 43/288  
 294/7  
 2017/0119217 A1 \* 5/2017 Bertin ..... A47J 43/288

OTHER PUBLICATIONS

Design U.S. Appl. No. 29/617,481, filed Sep. 14, 2017 in the name of Blue Rhino Global Sourcing, Inc.

\* cited by examiner

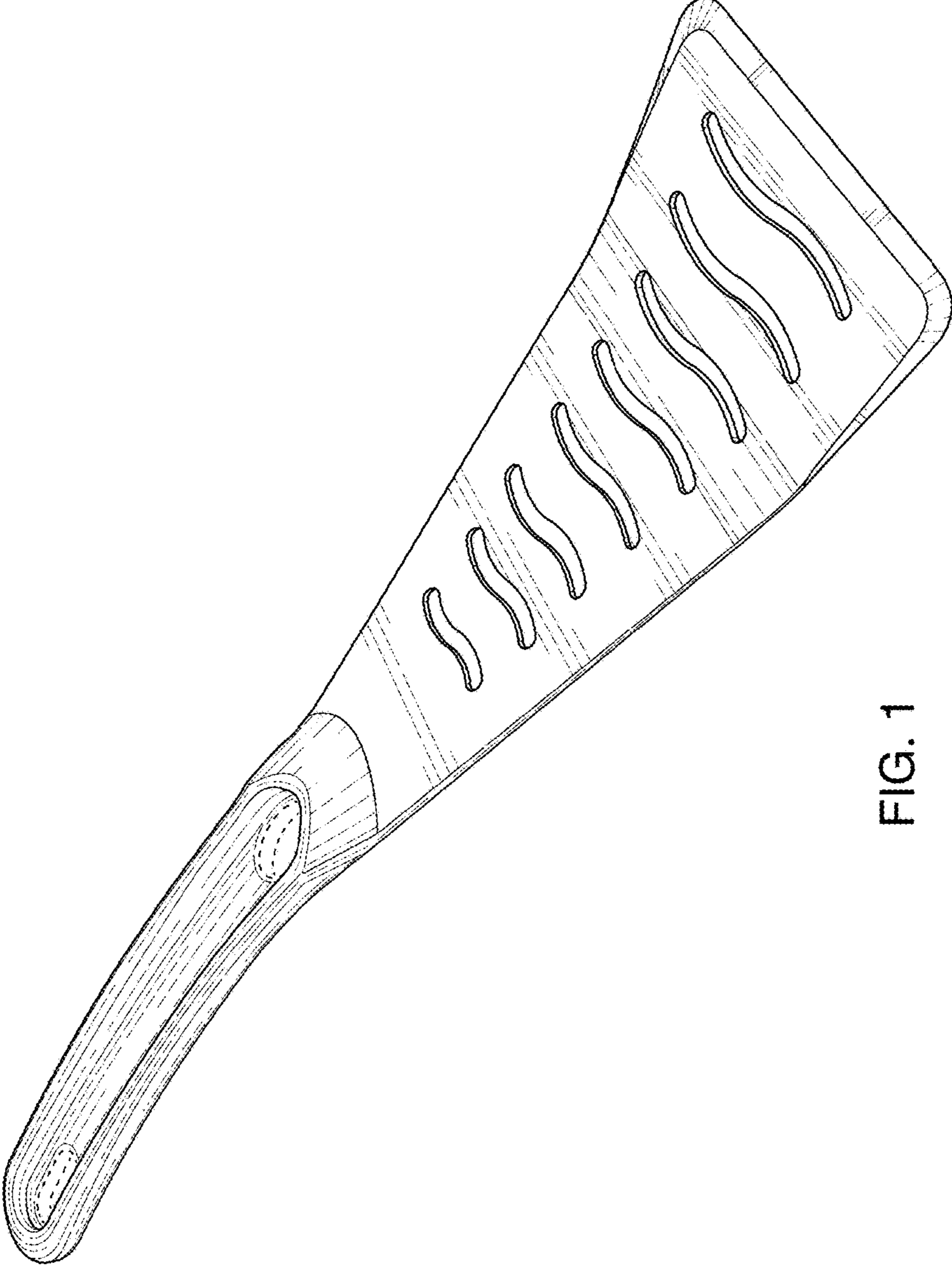


FIG. 1

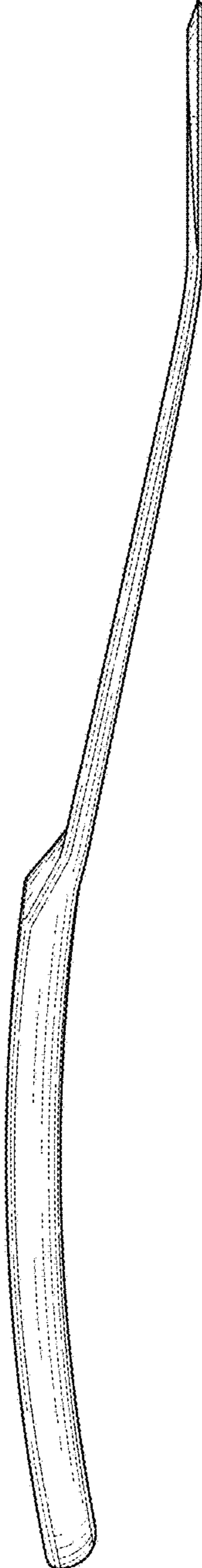


FIG. 2

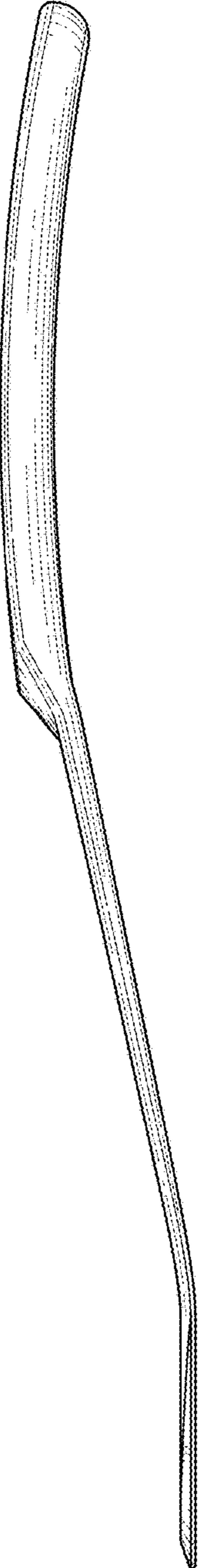


FIG. 3

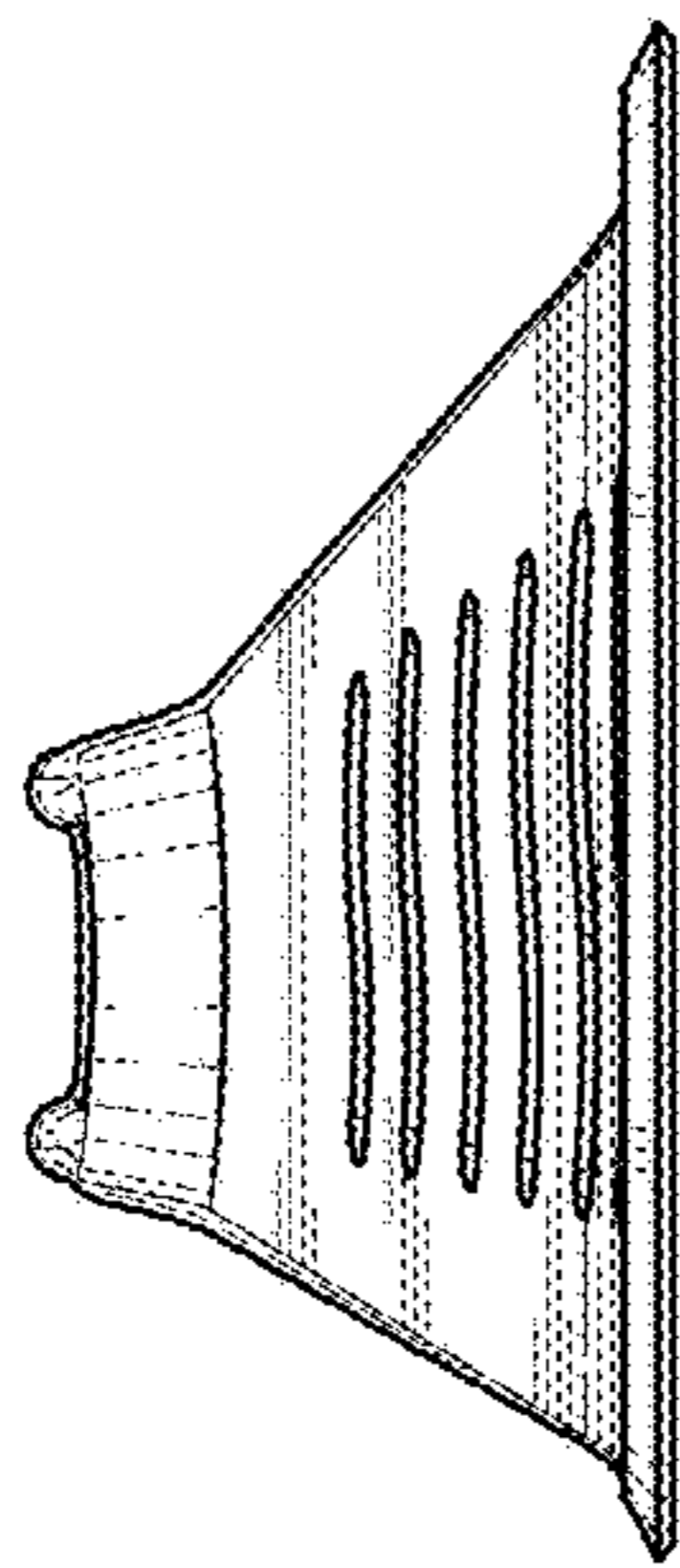


FIG. 4

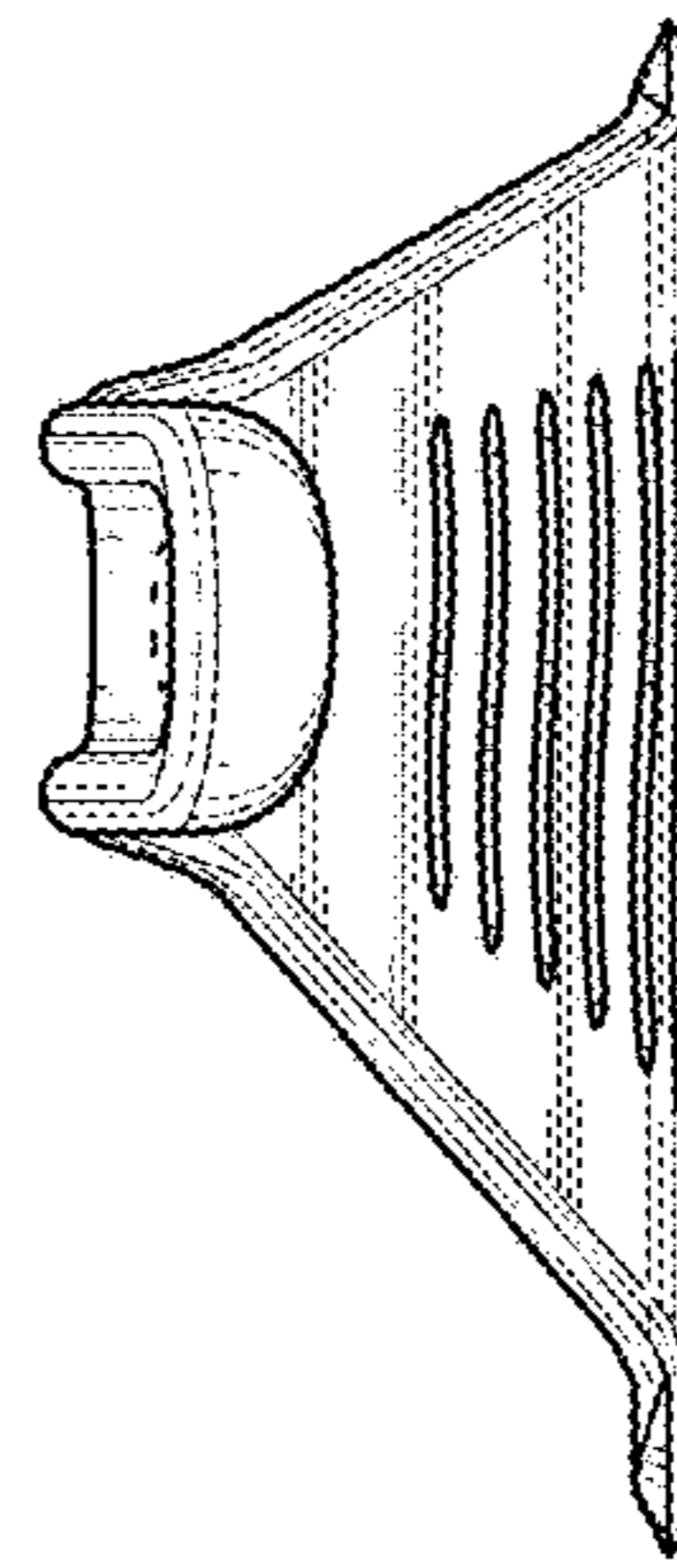


FIG. 5



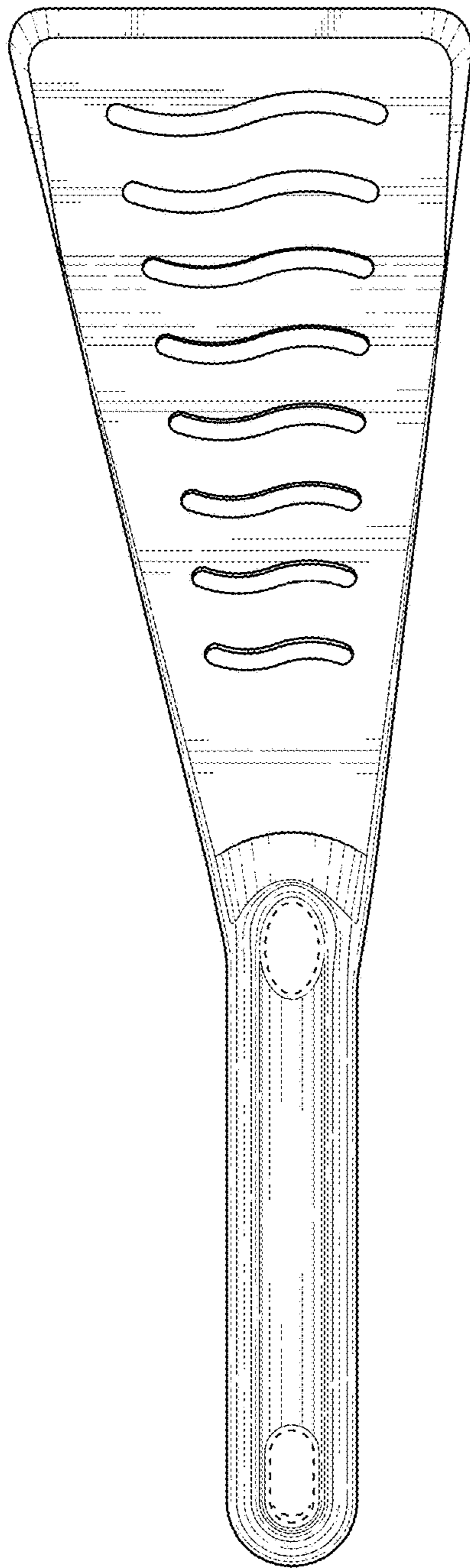


FIG. 6

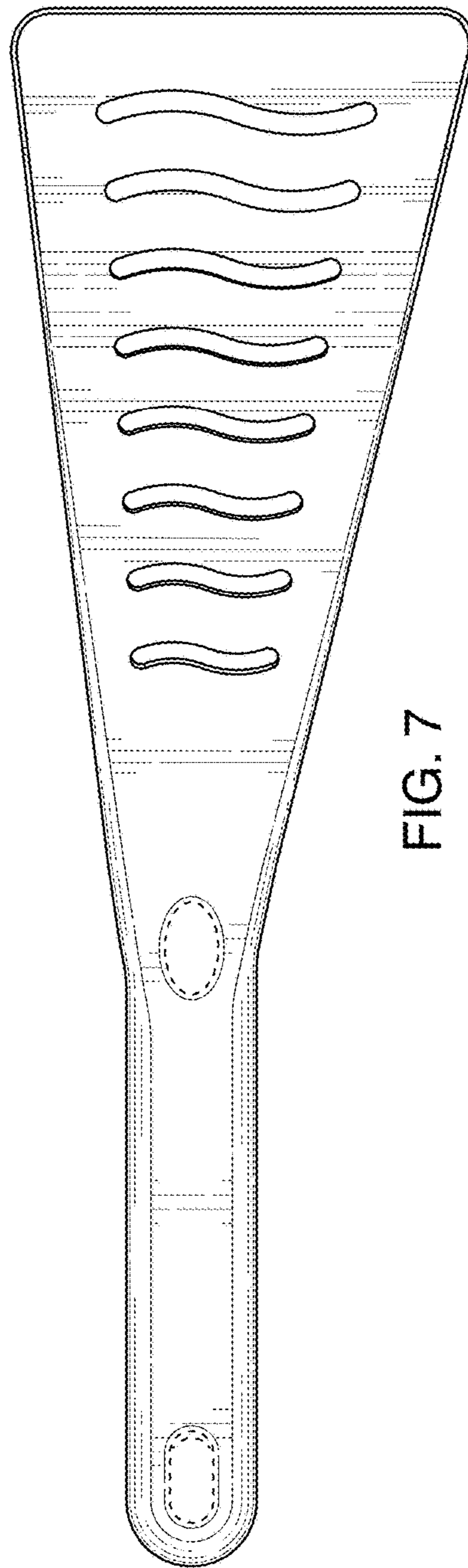


FIG. 7