



US00D853206S

(12) **United States Design Patent** (10) **Patent No.:** **US D853,206 S**  
**Merriman** (45) **Date of Patent:** **\*\* Jul. 9, 2019**

(54) **SKEWER**

(71) Applicant: **John Andrew Merriman**, Lubbock, TX (US)

(72) Inventor: **John Andrew Merriman**, Lubbock, TX (US)

(\*\*) Term: **15 Years**

(21) Appl. No.: **29/642,799**

(22) Filed: **Apr. 2, 2018**

**Related U.S. Application Data**

(63) Continuation-in-part of application No. 15/223,805, filed on Jul. 29, 2016, now abandoned.

(51) **LOC (11) Cl.** ..... **07-02**

(52) **U.S. Cl.**  
USPC ..... **D7/683**

(58) **Field of Classification Search**

USPC ..... D7/680-696, 393, 395, 368, 669, 300.2  
CPC ..... A47J 33/00; A47J 37/041; A47J 37/0694;  
A47J 37/0786; A47J 37/04; A47J 43/18;  
A47J 43/27; A47G 21/03; A47G 21/00;  
A23J 5/10; A23J 5/15; A23J 5/17; A23J  
19/05

See application file for complete search history.

(56) **References Cited**

U.S. PATENT DOCUMENTS

2,462,991 A *	3/1949	Palinkas .....	A47J 43/27 294/61
4,258,617 A *	3/1981	Akwei .....	A47J 37/00 99/419
5,337,766 A *	8/1994	Lane .....	A47G 21/00 132/321
D592,916 S *	5/2009	Mazzetta .....	D7/683
D622,557 S *	8/2010	Kerulis .....	D7/683
D706,091 S *	6/2014	DiCosimo .....	D7/683
2015/0110939 A1 *	4/2015	Benson .....	A47J 33/00 426/523

\* cited by examiner

*Primary Examiner* — Terry A Wallace

(74) *Attorney, Agent, or Firm* — Dunlap Bennett & Ludwig PLLC

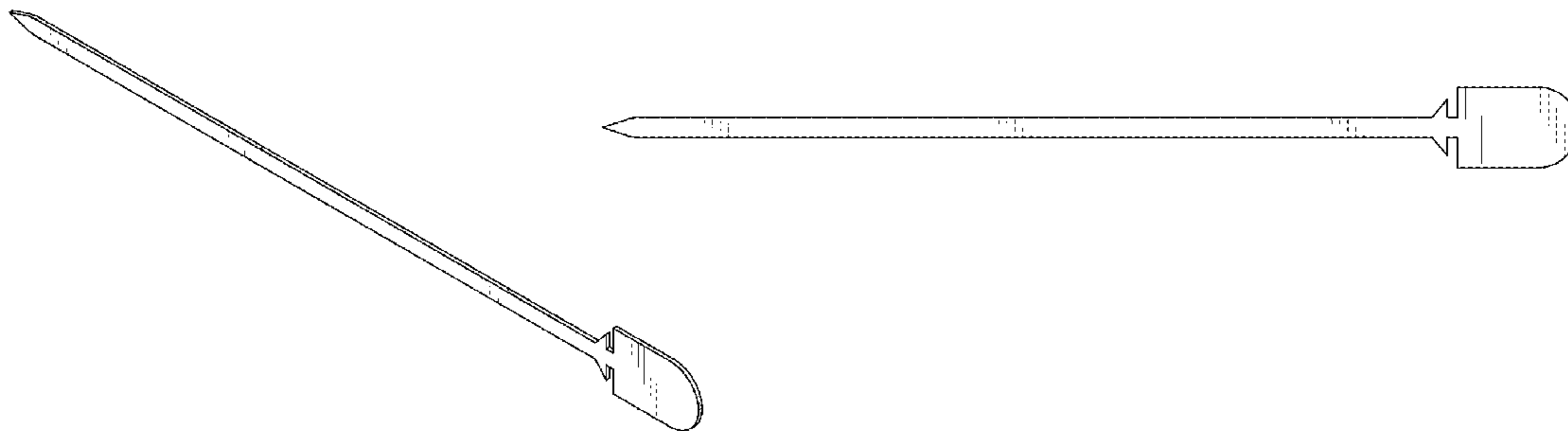
(57) **CLAIM**

The ornamental design for a skewer, as shown and described.

**DESCRIPTION**

FIG. 1 is a top perspective view of a skewer;  
FIG. 2 is a front elevation view thereof, the rear elevation view being a mirror image thereof;  
FIG. 3 is a top elevation view thereof, the bottom elevation view being a mirror image thereof;  
FIG. 4 is a right side elevation view thereof; and,  
FIG. 5 is a left side elevation view thereof.

**1 Claim, 1 Drawing Sheet**



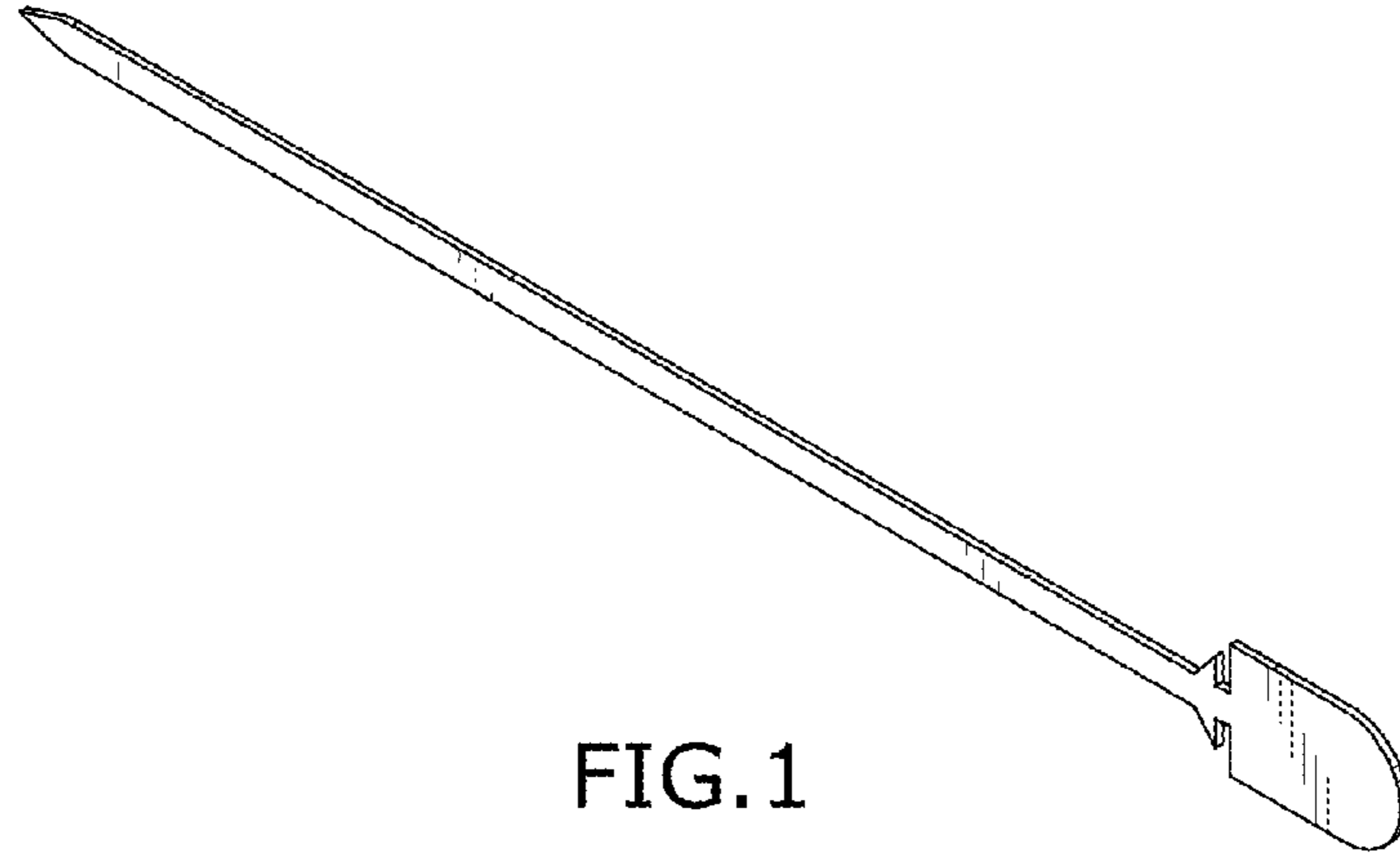


FIG. 1

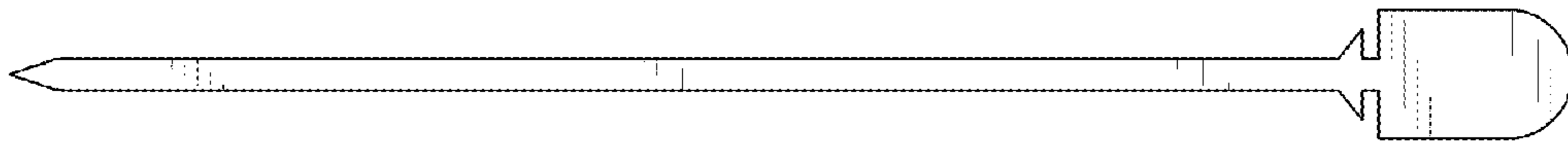


FIG. 2

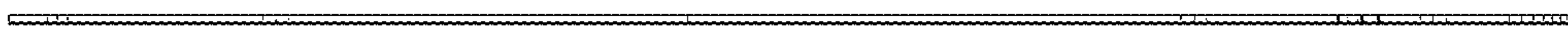


FIG. 3

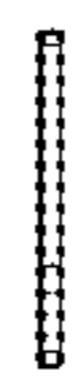


FIG. 4



FIG. 5