



US00D853204S

(12) **United States Design Patent**  
**Sirotych**

(10) **Patent No.:** **US D853,204 S**

(45) **Date of Patent:** **\*\* Jul. 9, 2019**

(54) **STEAK WEIGHT**

D525,090 S	7/2006	Muskat et al.
D525,490 S	7/2006	Muskat et al.
D525,834 S	8/2006	Muskat et al.
7,586,067 B2	9/2009	Hill
D673,818 S *	1/2013	LeGreve ..... D7/669

(71) Applicant: **Roberto Antonio Luciano Sirotych**,  
Fairview, NJ (US)

(72) Inventor: **Roberto Antonio Luciano Sirotych**,  
Fairview, NJ (US)

\* cited by examiner

(73) Assignee: **D.W.L. INTERNATIONAL TRADING LLC.**, Lodi, NJ (US)

*Primary Examiner* — Antoine Duval Davis  
(74) *Attorney, Agent, or Firm* — Cozen O’Conner

(\*\*) Term: **15 Years**

(57) **CLAIM**

(21) Appl. No.: **29/642,461**

The ornamental design for a steak weight, as shown a described.

(22) Filed: **Mar. 29, 2018**

**DESCRIPTION**

(51) **LOC (11) Cl.** ..... **07-04**

(52) **U.S. Cl.**  
USPC ..... **D7/669**

(58) **Field of Classification Search**  
USPC .... D7/669, 682, 368; D8/45, 107, 311, 315,  
D8/322  
CPC ..... A47J 37/108; A47J 43/18; Y10T 16/498  
See application file for complete search history.

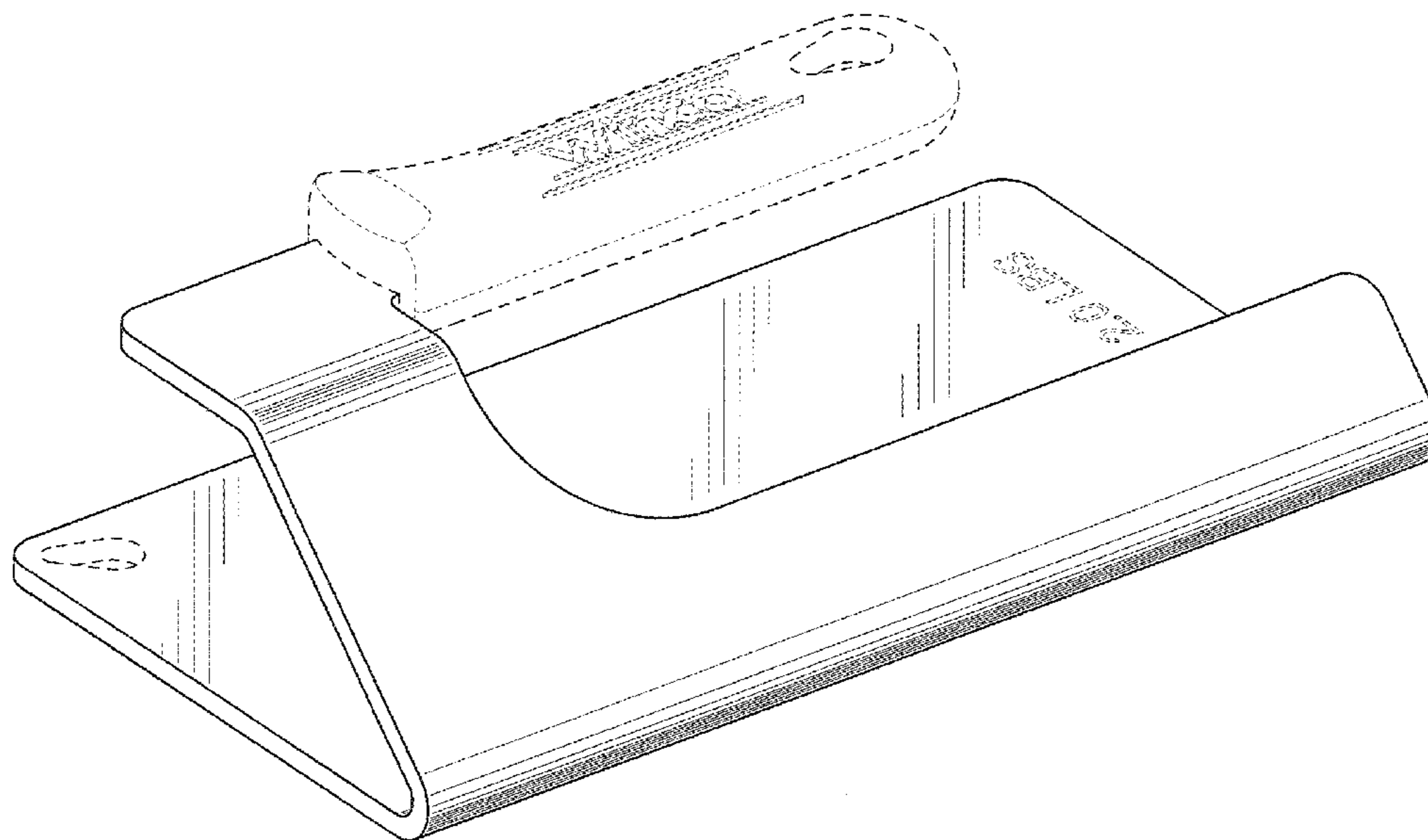
FIG. 1 is a front perspective view of my new steak weight design;  
FIG. 2 is a rear view thereof;  
FIG. 3 is a right side elevation view thereof;  
FIG. 4 is a top plan view thereof;  
FIG. 5 is a rear elevation view thereof;  
FIG. 6 is a bottom plan view thereof;  
FIG. 7 is a front elevation view thereof; and,  
FIG. 8 is a left side elevation view thereof.  
The ornamental design claimed is represented in the drawing with solid lines. The broken lines are for illustrative purposes only and are not included in the claimed design.

(56) **References Cited**

**U.S. PATENT DOCUMENTS**

D524,609 S	7/2006	Muskat et al.
D525,089 S	7/2006	Muskat et al.

**1 Claim, 8 Drawing Sheets**



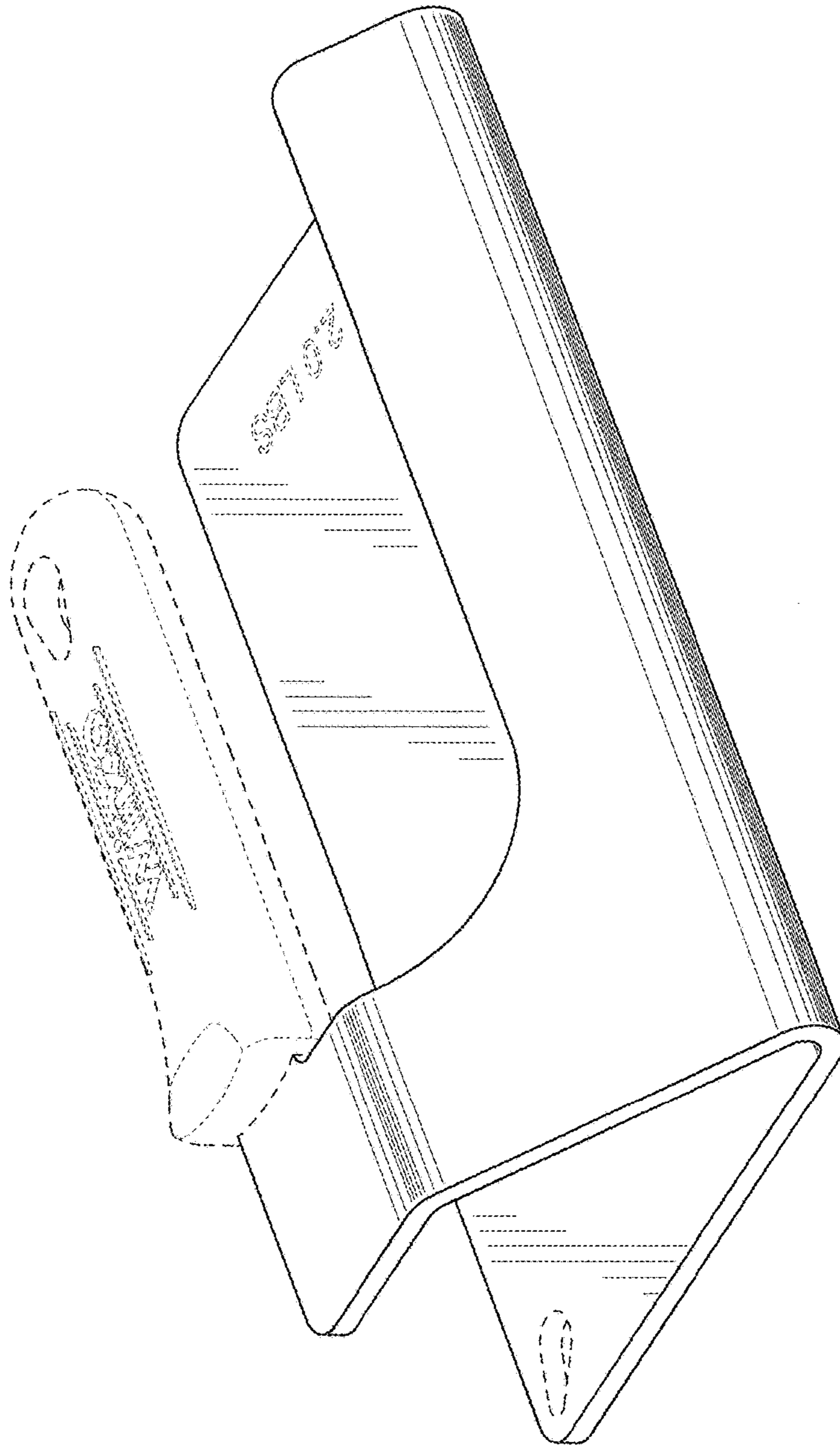


FIG. 1

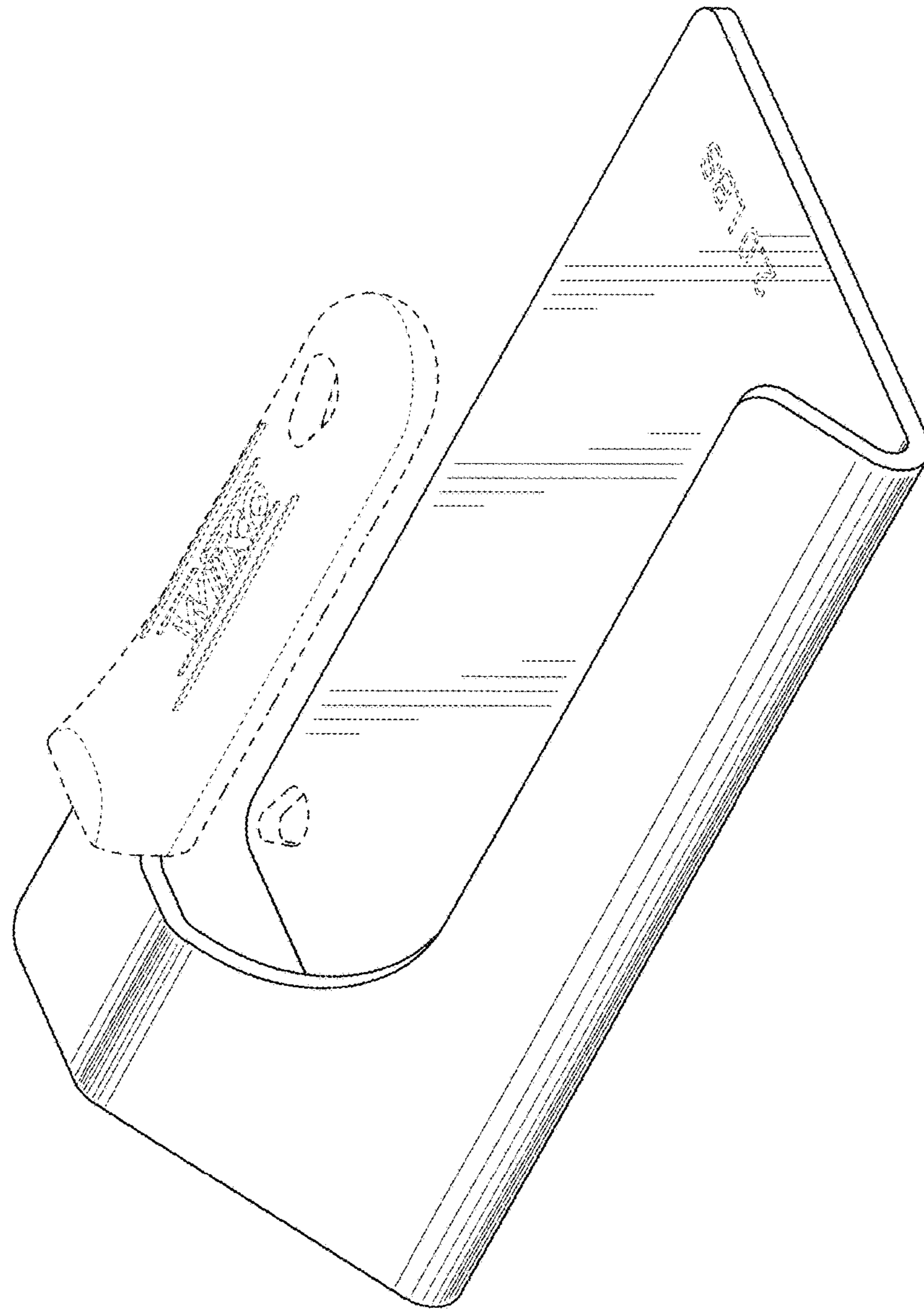


FIG. 2

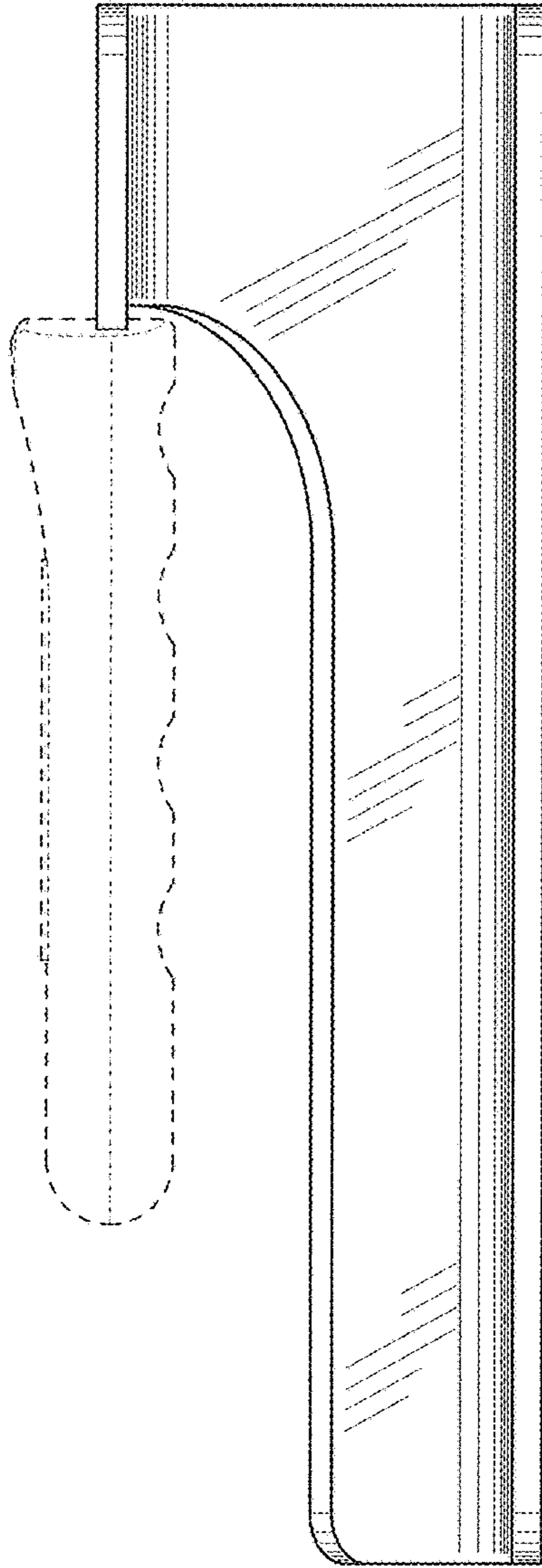


FIG. 3

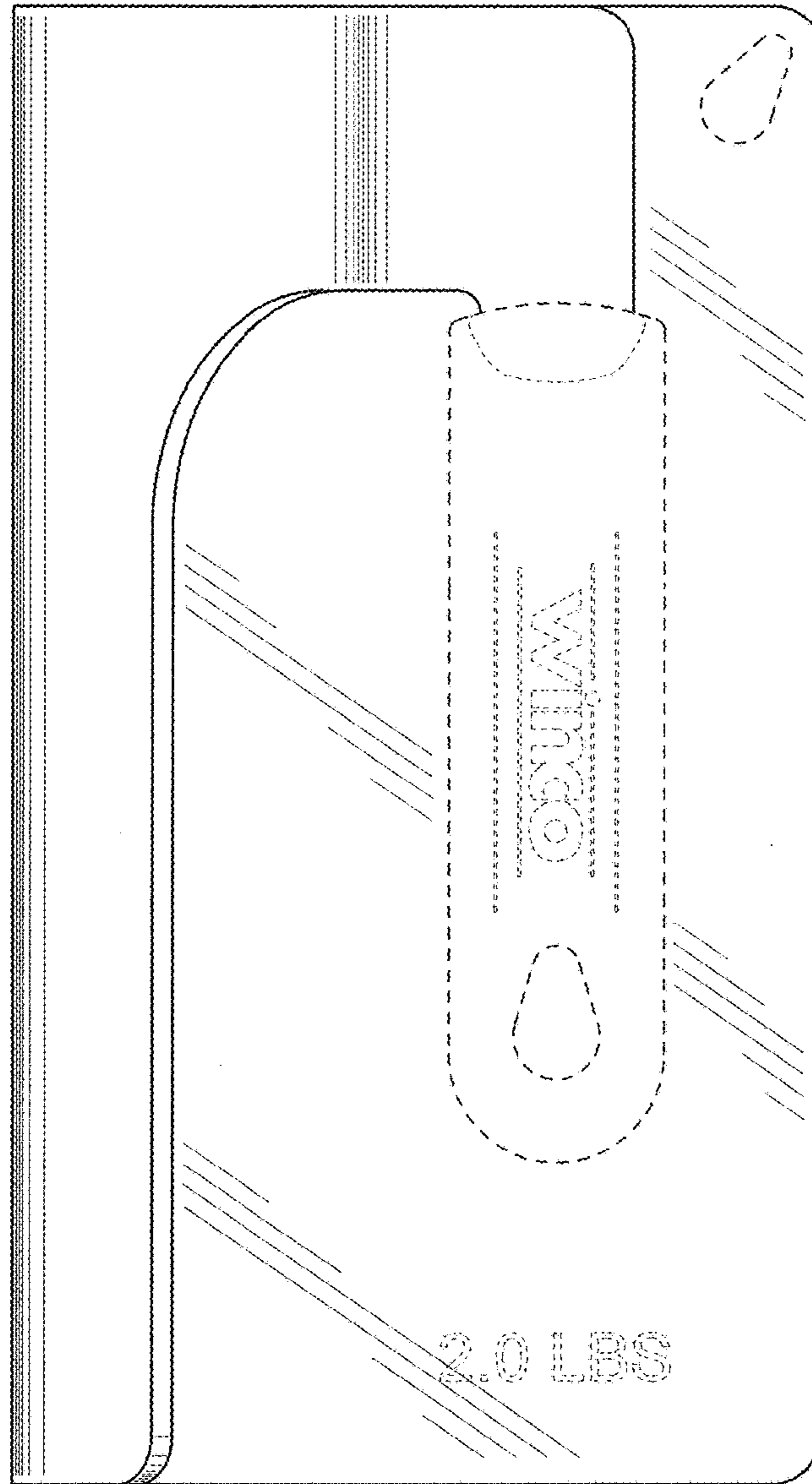


FIG. 4

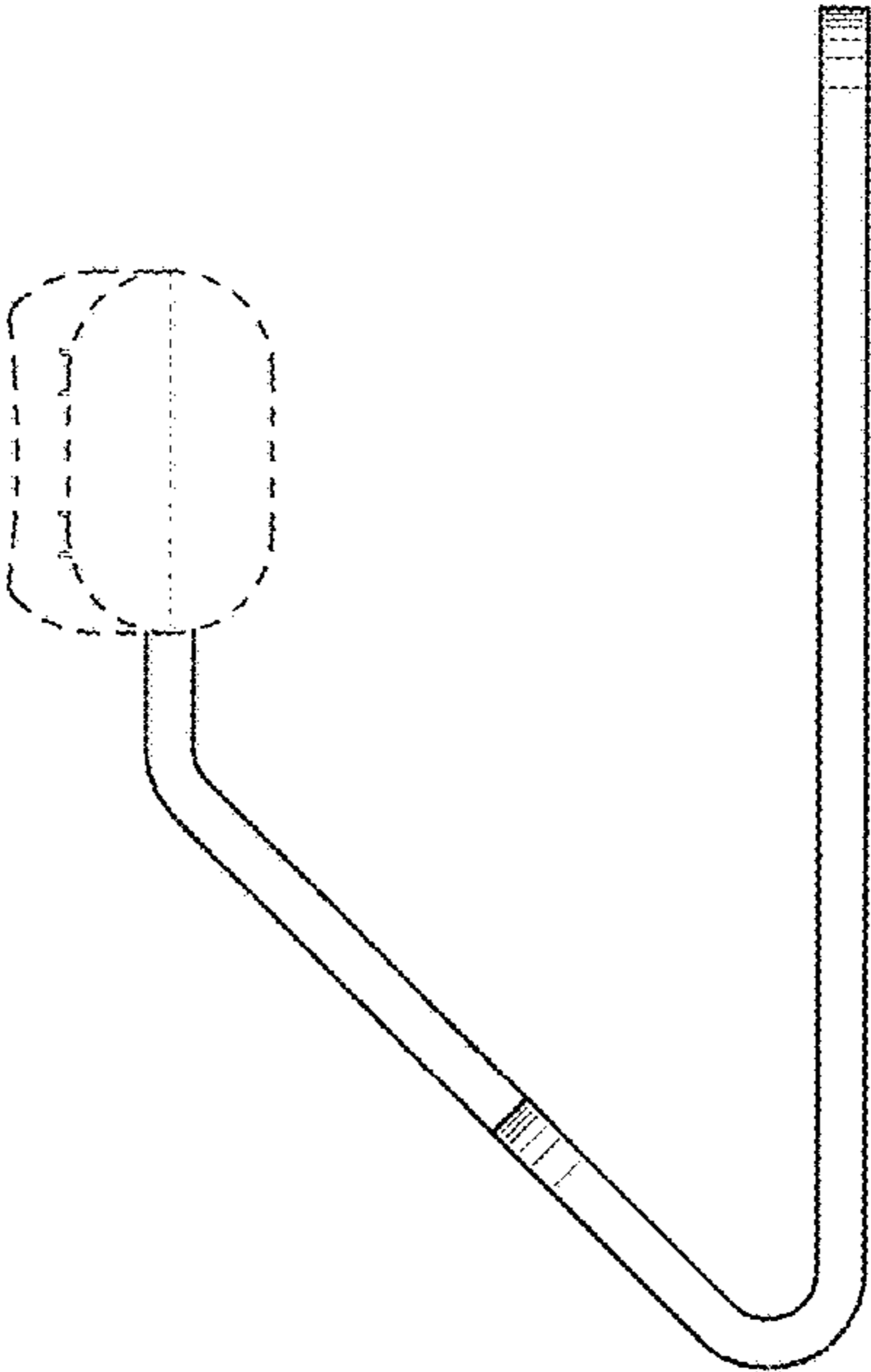


FIG. 5

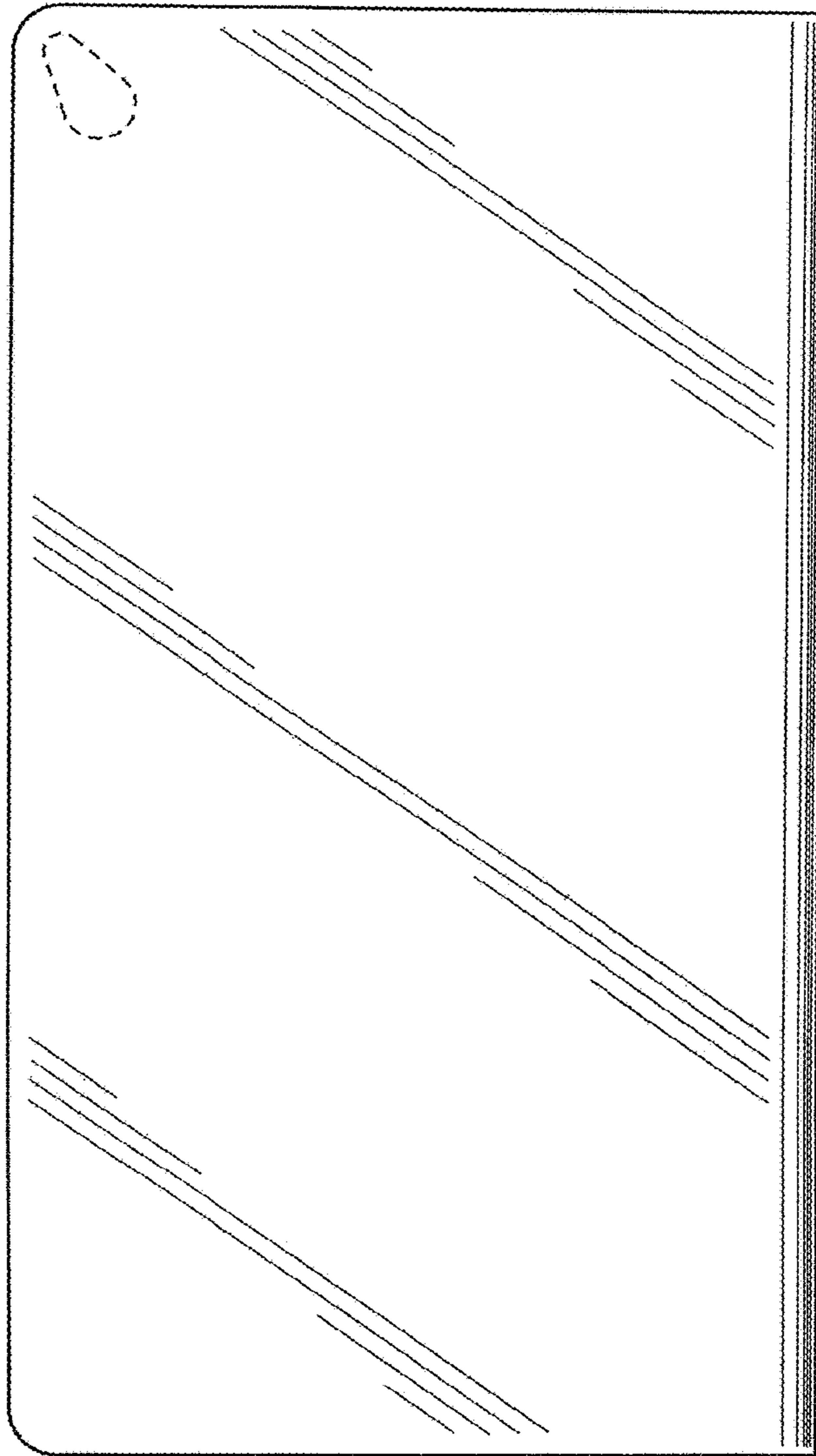


FIG. 6

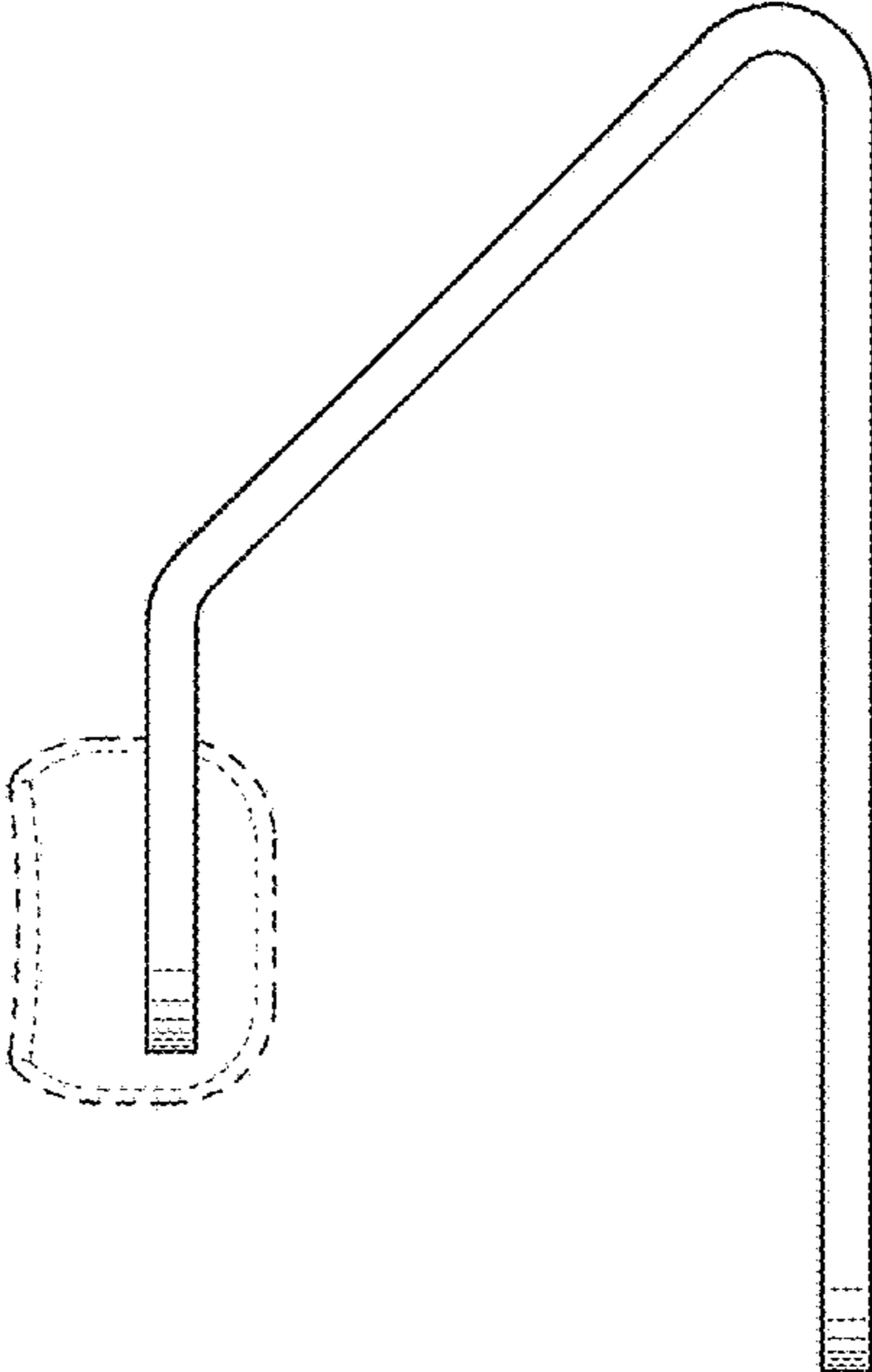


FIG. 7



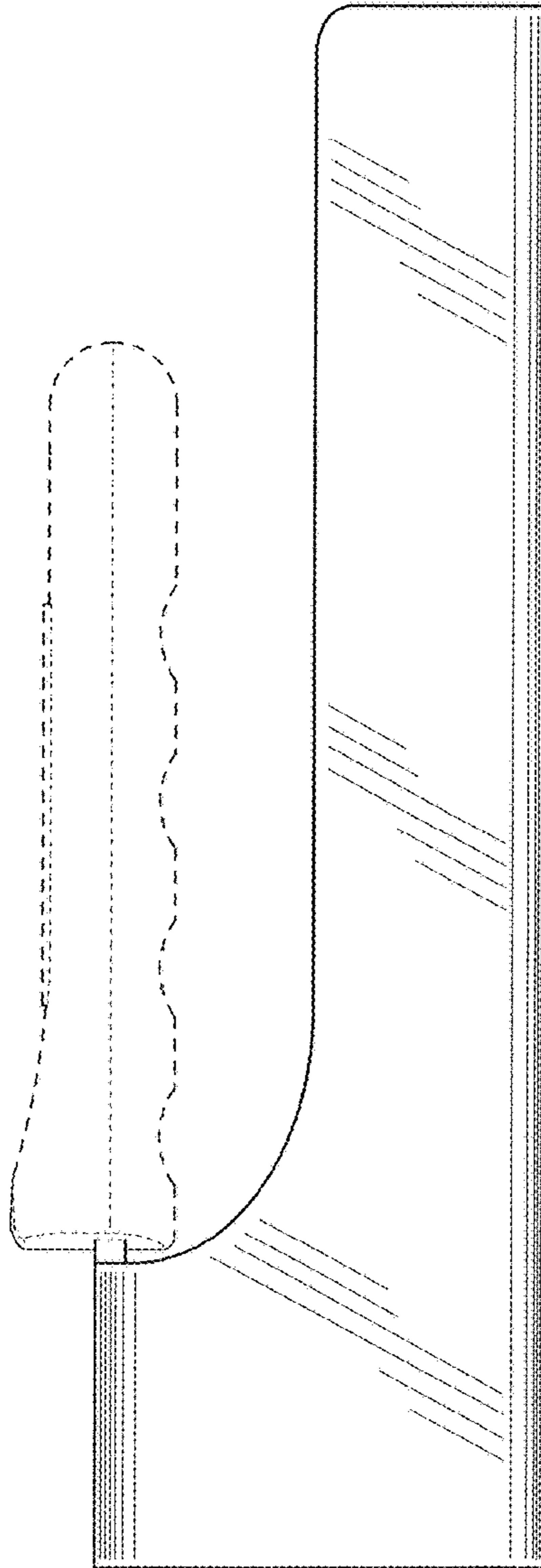


FIG. 8