



US00D853202S

(12) **United States Design Patent**
Welham

(10) **Patent No.:** **US D853,202 S**

(45) **Date of Patent:** **** Jul. 9, 2019**

- (54) **CUP INSULATION SLEEVE**
- (71) Applicant: **7252502 Manitoba Ltd.**, Winnipeg (CA)
- (72) Inventor: **Christopher Welham**, Winnipeg (CA)
- (73) Assignee: **7252502 Manitoba Ltd.**, Winnipeg (CA)
- (**) Term: **15 Years**
- (21) Appl. No.: **29/618,752**
- (22) Filed: **Sep. 23, 2017**
- (51) **LOC (11) Cl.** **07-01**
- (52) **U.S. Cl.**
USPC **D7/607; D7/624.2**
- (58) **Field of Classification Search**
USPC D7/619.1-625, 603-608; D9/444
CPC A45C 11/20; A47J 41/0061; A47J 41/02;
A47J 41/0077; A47G 23/0216; A47G 23/0208; A47G 23/0291; A47G 23/02;
A47G 23/0266; B65D 81/3886; B65D 81/3876; B65D 81/3879; B65D 81/3865;
B65D 81/3881; B65D 81/3883; B65D 81/3874; B65D 23/08; B65D 23/104;
F25D 3/08; F25D 2331/805; F25D 2331/803
See application file for complete search history.

8,251,277 B2 8/2012 Katchko et al.
 8,364,542 B2 1/2013 Grauel et al.
 9,102,461 B2 8/2015 Leser et al.
 (Continued)

FOREIGN PATENT DOCUMENTS

CN 201452605 5/2010
 CN 204318273 5/2015
 (Continued)

Primary Examiner — Terry A Wallace
 (74) *Attorney, Agent, or Firm* — Kyle R Satterthwaite;
 Ryan W Dupuis; Ade & Company Inc.

(57) **CLAIM**

The ornamental design for a cup insulation sleeve, as shown and described.

DESCRIPTION

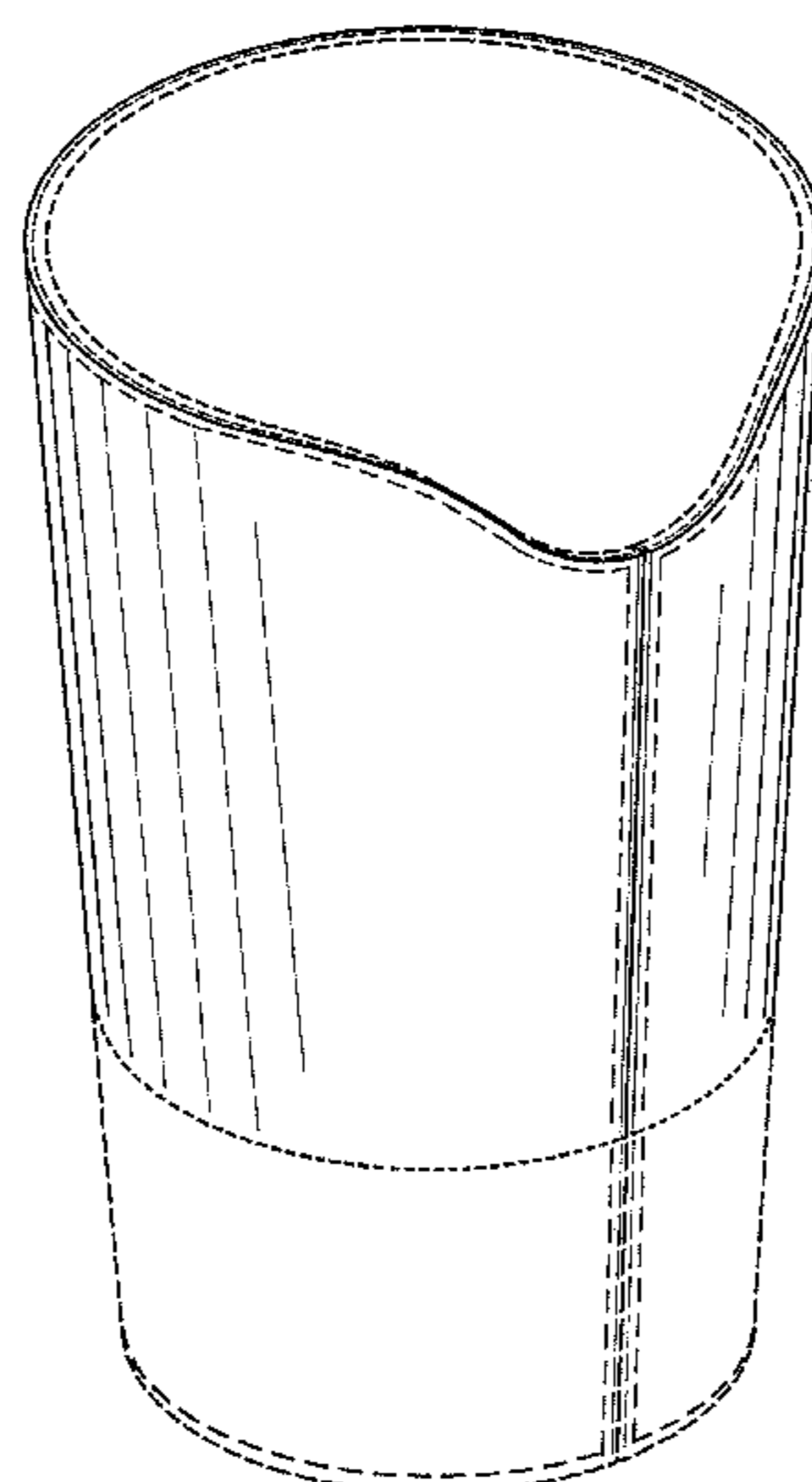
FIG. 1 is a perspective view of a cup insulation sleeve showing my new design, the longer broken lines denote unclaimed stitching, unclaimed inner layer and lower portion of the sleeve; the shorter broken lines denote a boundary of the unclaimed lower portion.
 FIG. 2 is a front view thereof.
 FIG. 3 is a rear view thereof.
 FIG. 4 is a left side view thereof.
 FIG. 5 is a right side view thereof.
 FIG. 6 is a top plan view thereof.
 FIG. 7 is a bottom plan view thereof.
 FIG. 8 is a perspective view of an alternate embodiment of FIG. 1, the longer broken lines denote the unclaimed stitching and lower portion of the sleeve; the shorter broken lines denote a boundary of the unclaimed lower portion.
 FIG. 9 is a front view of FIG. 8.
 FIG. 10 is a rear view of FIG. 8.
 FIG. 11 is a left side view of FIG. 8.
 FIG. 12 is a right side view of FIG. 8.
 FIG. 13 is a top plan view of FIG. 8; and,
 FIG. 14 is a bottom plan view of FIG. 8.

(56) **References Cited**

U.S. PATENT DOCUMENTS

- D282,234 S * 1/1986 Henderson D7/608
- 5,909,821 A * 6/1999 Guridi B65D 81/3886
220/592
- 6,059,140 A * 5/2000 Hicks B65D 81/3879
220/6
- 6,250,545 B1 6/2001 Mazzarolo et al.
- 7,828,199 B2 11/2010 Robertson et al.
- 7,922,031 B1 4/2011 Prince
- 8,061,551 B2 11/2011 Matlovich

1 Claim, 8 Drawing Sheets



(56)

References Cited

U.S. PATENT DOCUMENTS

| | | | | |
|--------------|-----|---------|--------------------|-------------------------|
| 2004/0188450 | A1 | 9/2004 | Marshall et al. | |
| 2006/0086745 | A1 | 4/2006 | Morrison | |
| 2006/0186129 | A1 | 8/2006 | Allnutt et al. | |
| 2007/0125787 | A1 | 6/2007 | Oathout et al. | |
| 2008/0017654 | A1* | 1/2008 | Chu | B65D 81/3886 220/739 |
| 2008/0041864 | A1 | 2/2008 | Wong | |
| 2008/0078824 | A1 | 4/2008 | Spriegel et al. | |
| 2008/0314910 | A1 | 12/2008 | Beal et al. | |
| 2009/0283537 | A1 | 11/2009 | Silverstein et al. | |
| 2010/0108704 | A1 | 5/2010 | Spera | |
| 2010/0181328 | A1 | 7/2010 | Cook et al. | |
| 2012/0273509 | A1 | 11/2012 | Yao | |
| 2013/0213986 | A1 | 8/2013 | Couvelier | |
| 2016/0031602 | A1 | 2/2016 | Essenberg | |

FOREIGN PATENT DOCUMENTS

| | | |
|----|--------------|---------|
| CN | 106510375 | 3/2017 |
| DE | 202008004067 | 6/2008 |
| FR | 2824809 | 11/2002 |
| JP | 2000229677 | 8/2000 |
| KR | 20130019312 | 2/2013 |
| KR | 20140112965 | 9/2014 |
| KR | 20160039811 | 4/2016 |
| TW | 503834 | 7/2015 |
| TW | 528133 | 9/2016 |
| WO | 03061440 | 7/2003 |
| WO | 2010079871 | 7/2010 |
| WO | 201505285 | 4/2015 |
| WO | 2017071689 | 5/2017 |

* cited by examiner

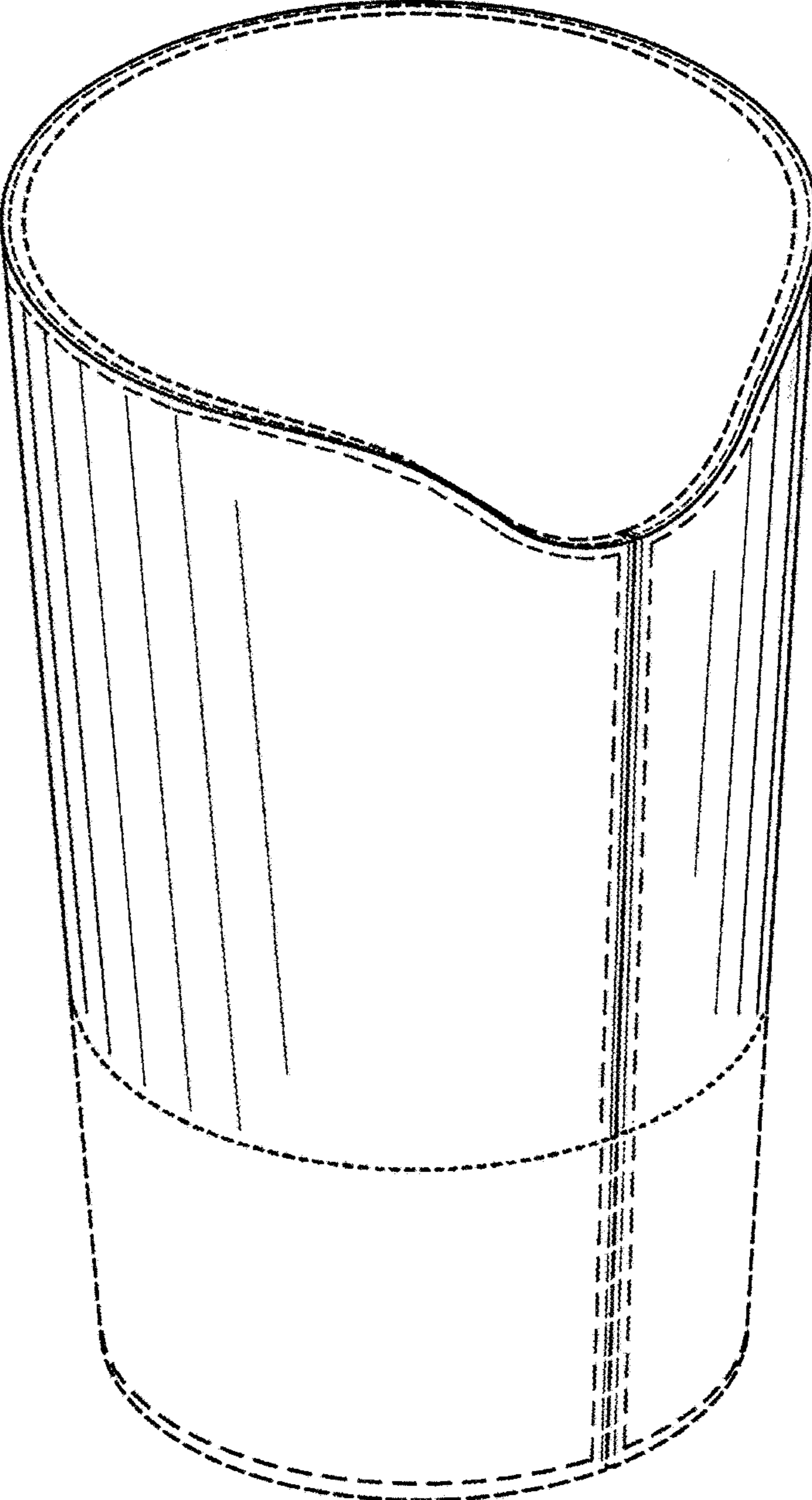


FIG. 1

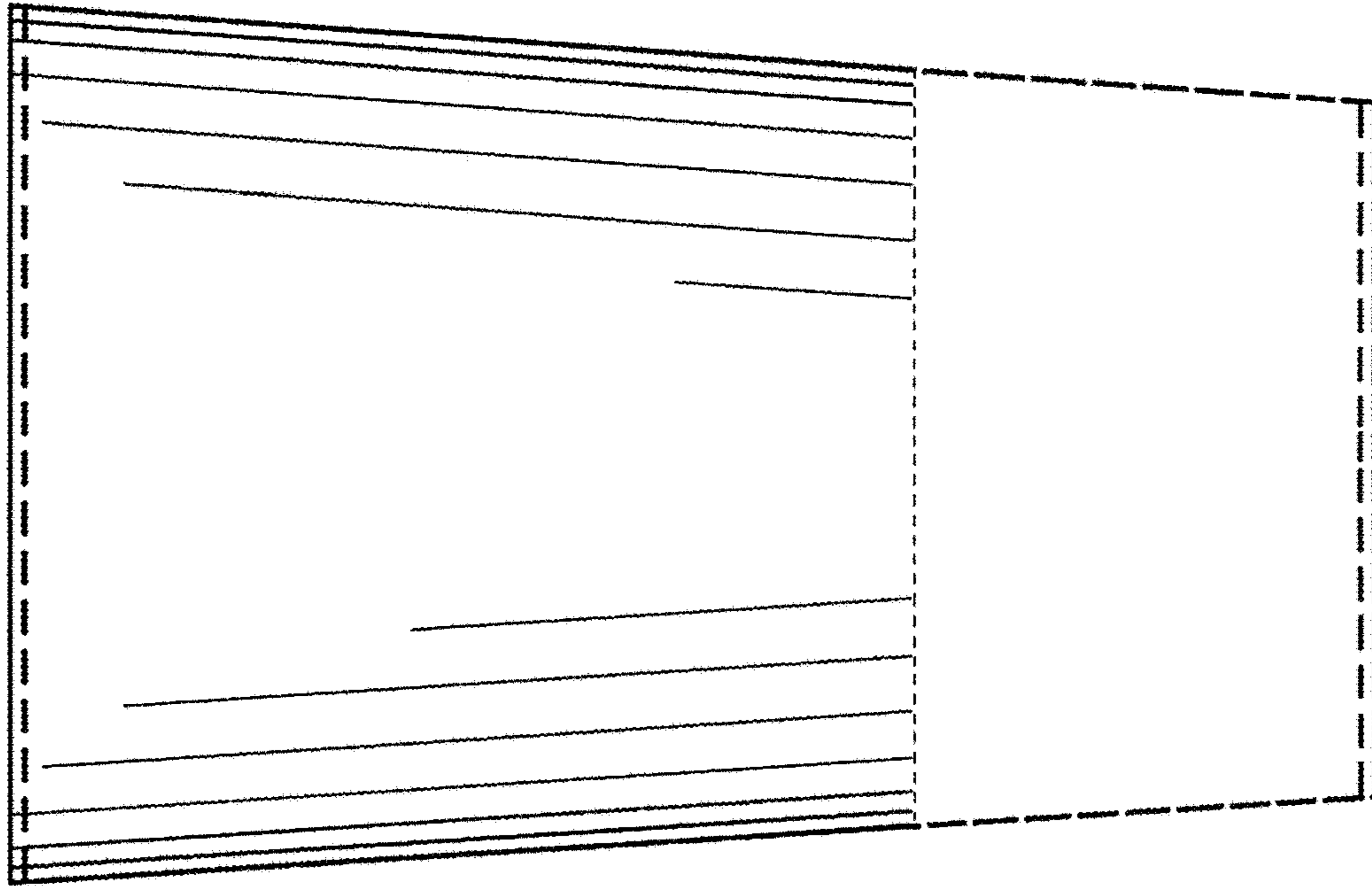


FIG. 3

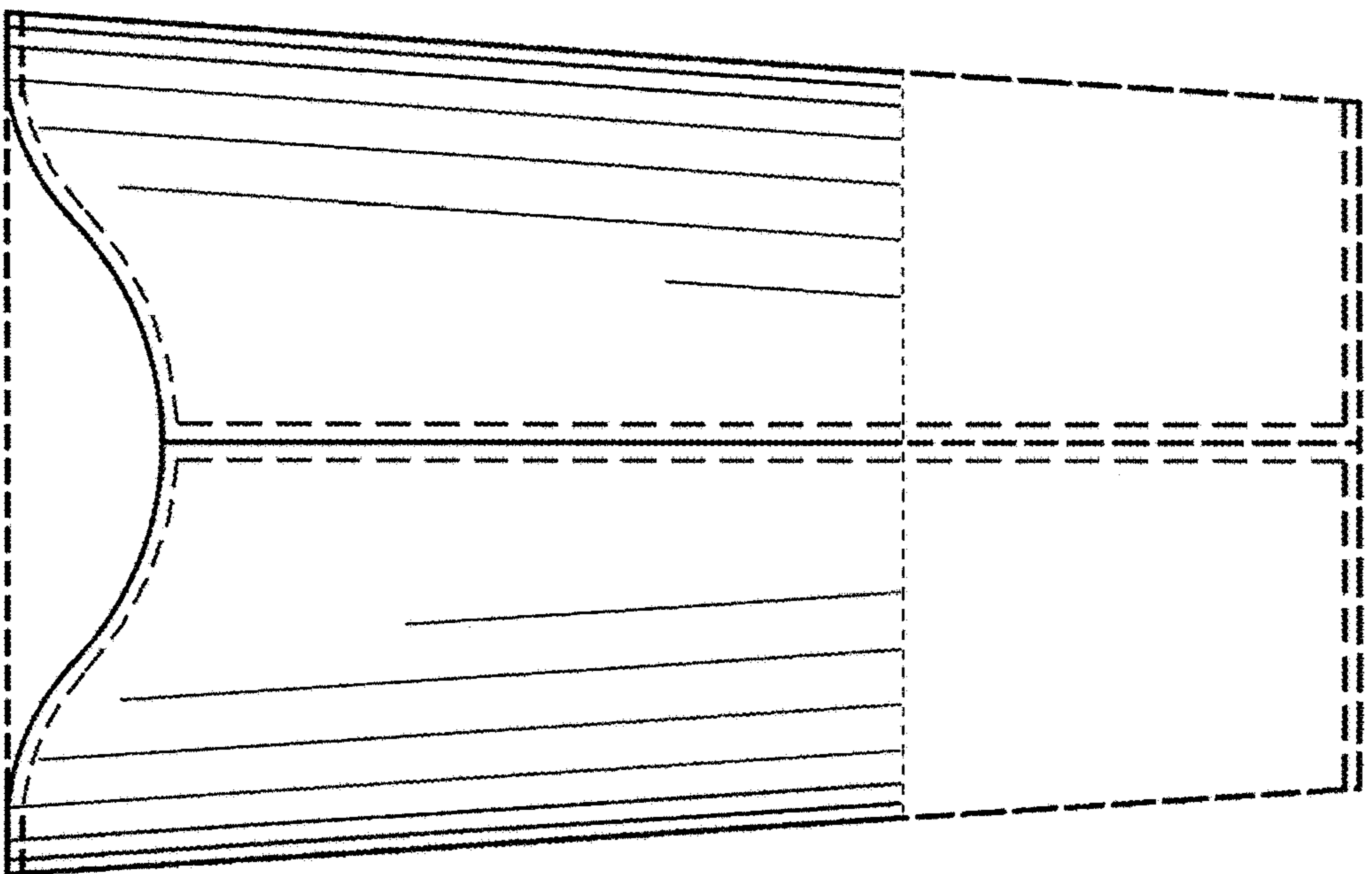


FIG. 2

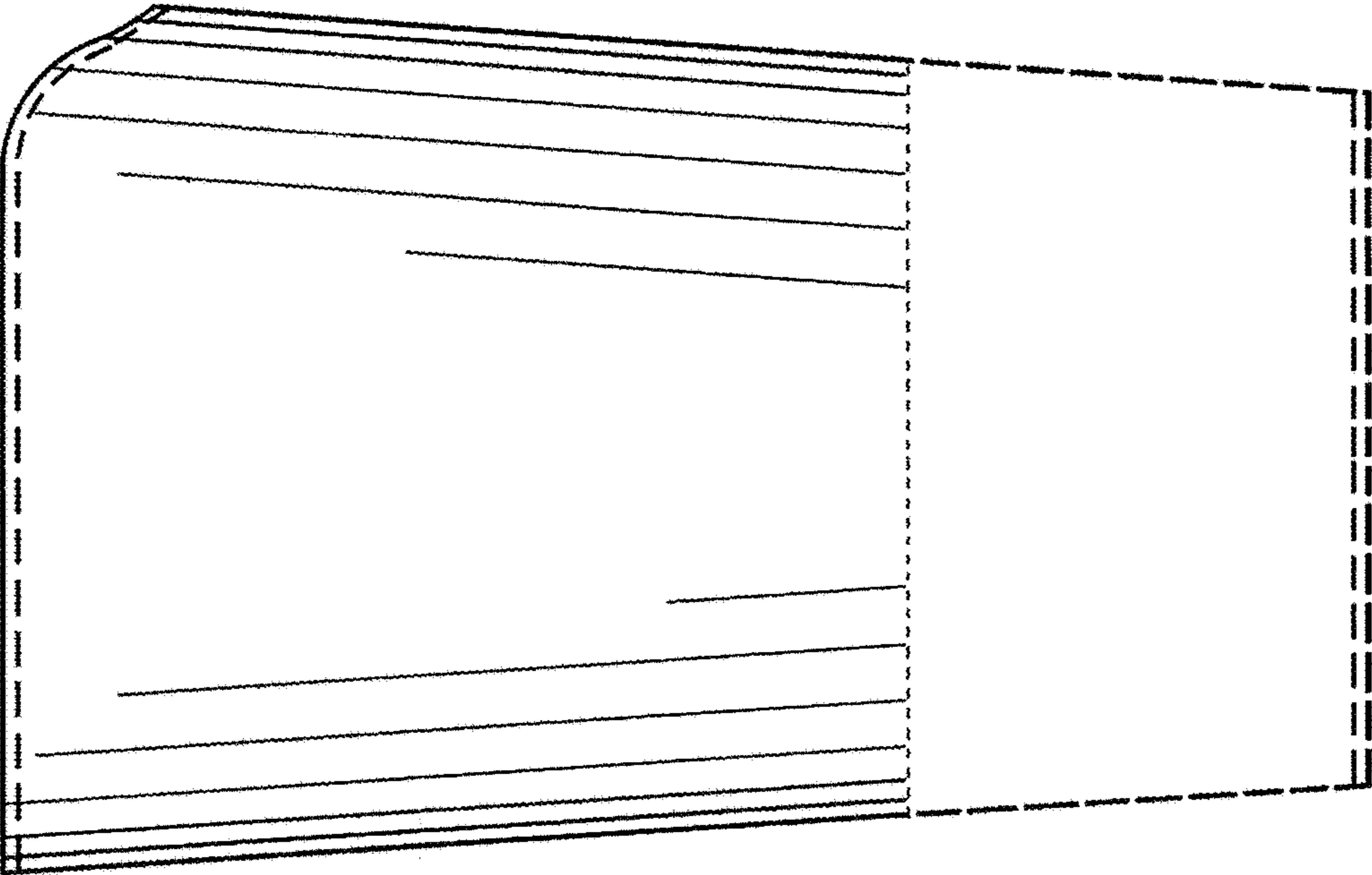


FIG. 5

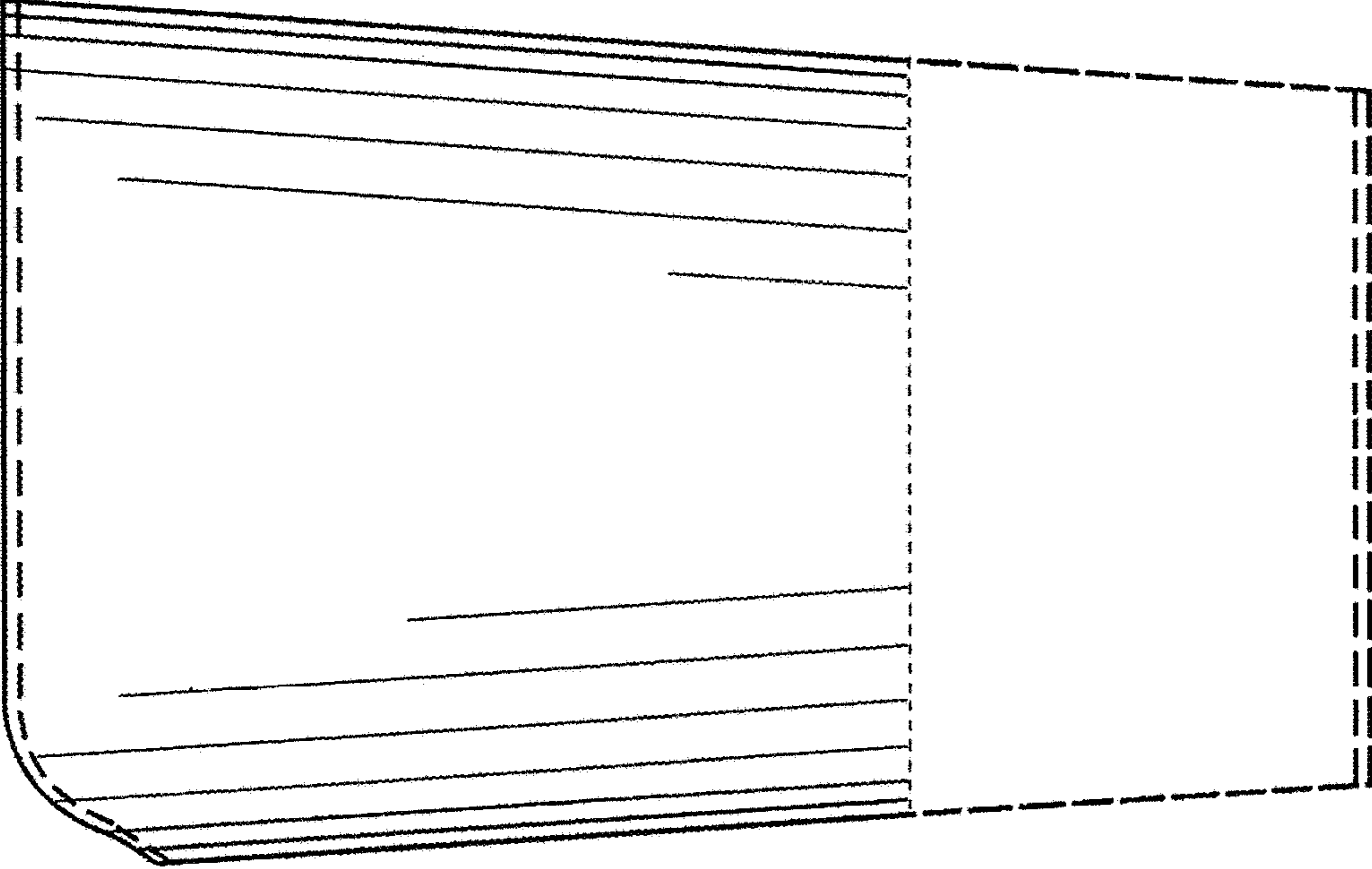


FIG. 4

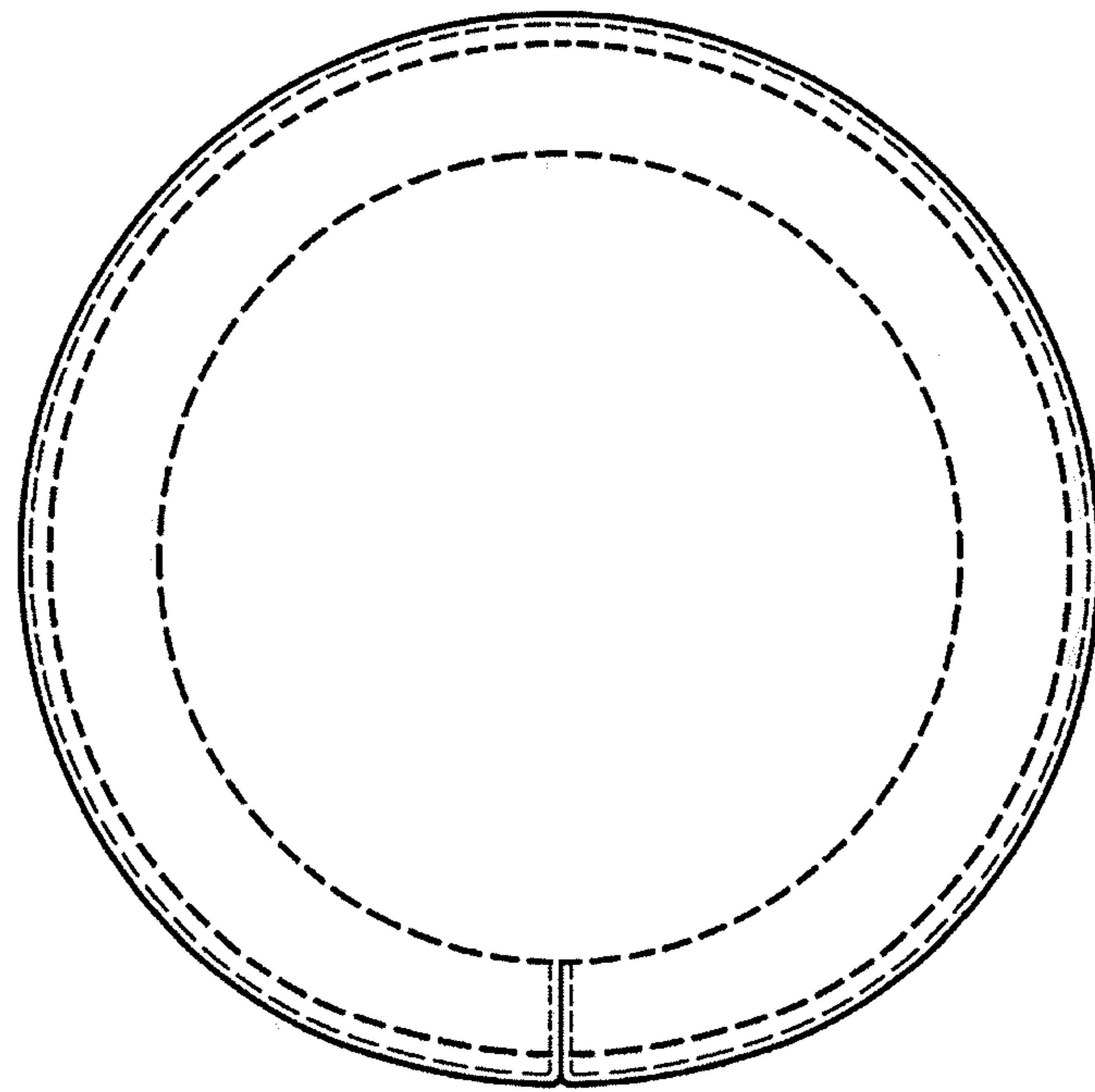


FIG. 6

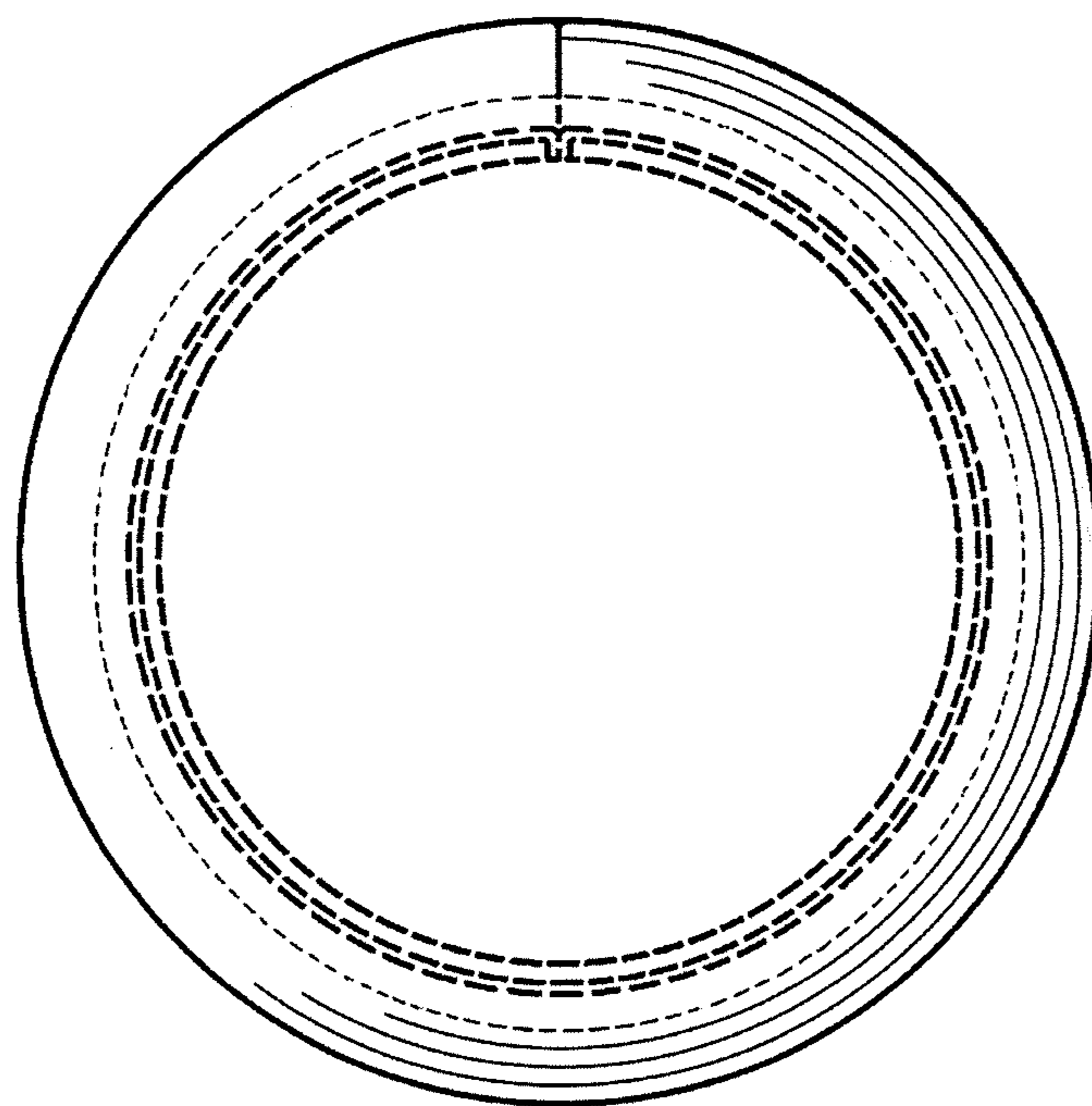


FIG. 7

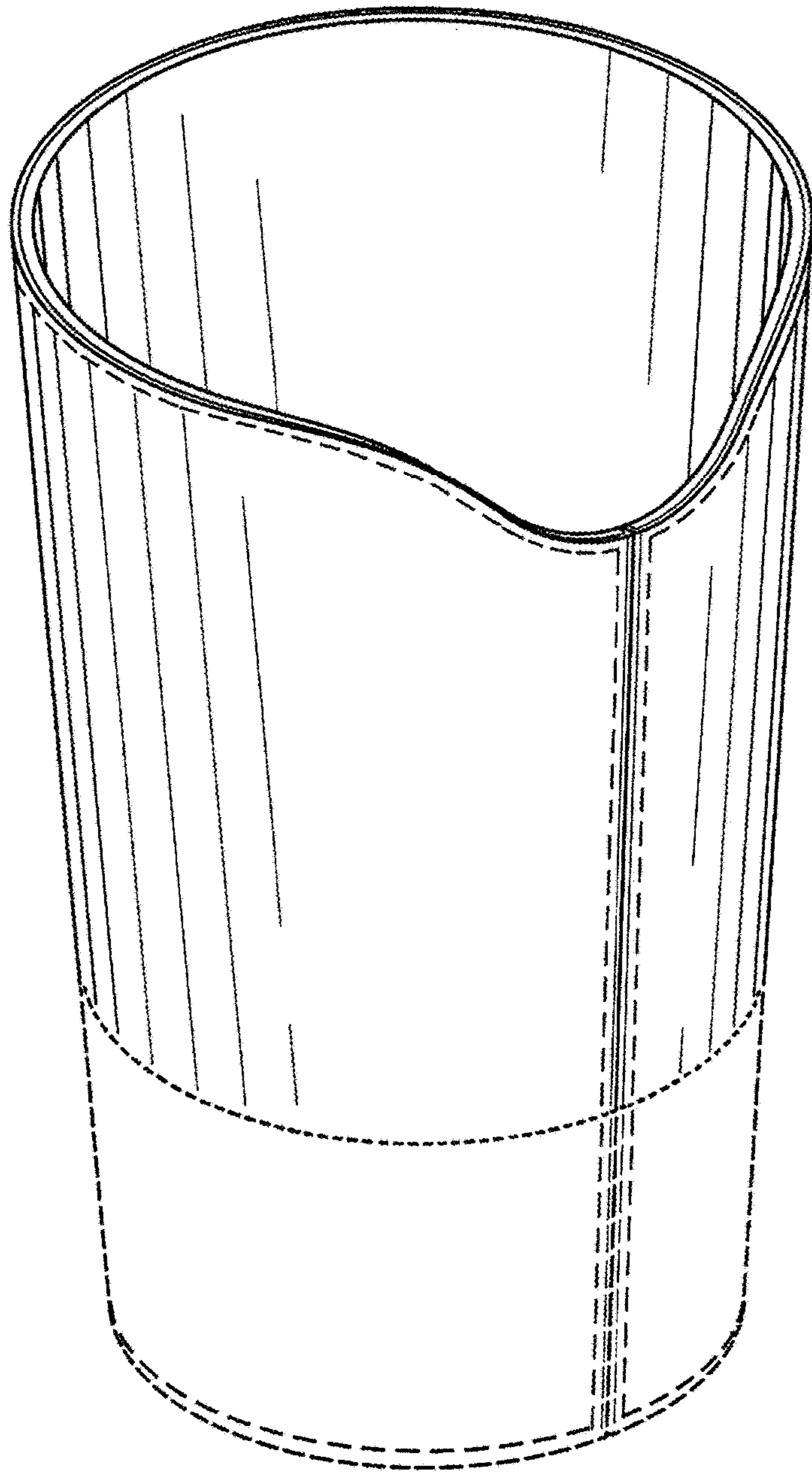


FIG. 8

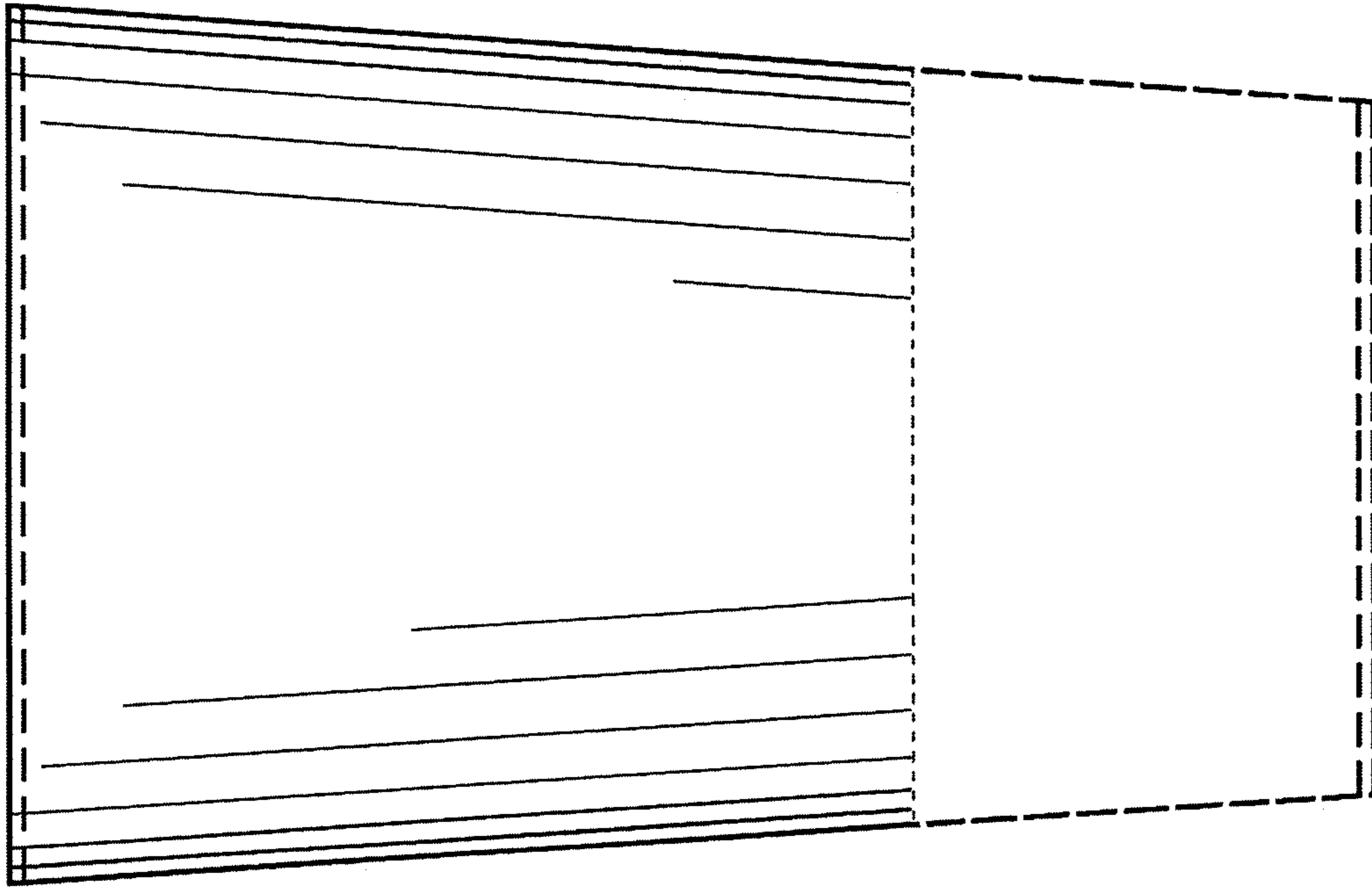


FIG. 10

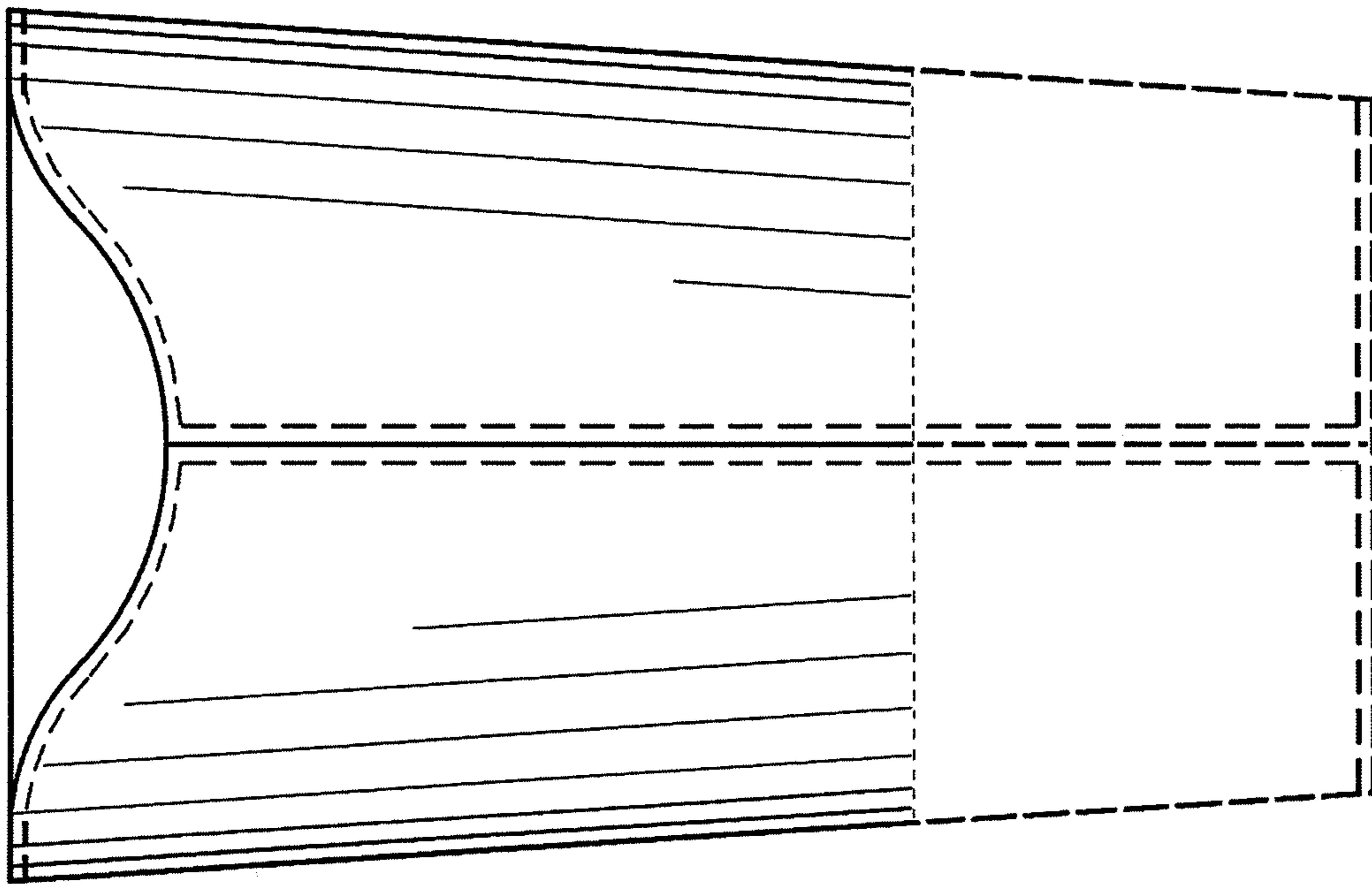


FIG. 9

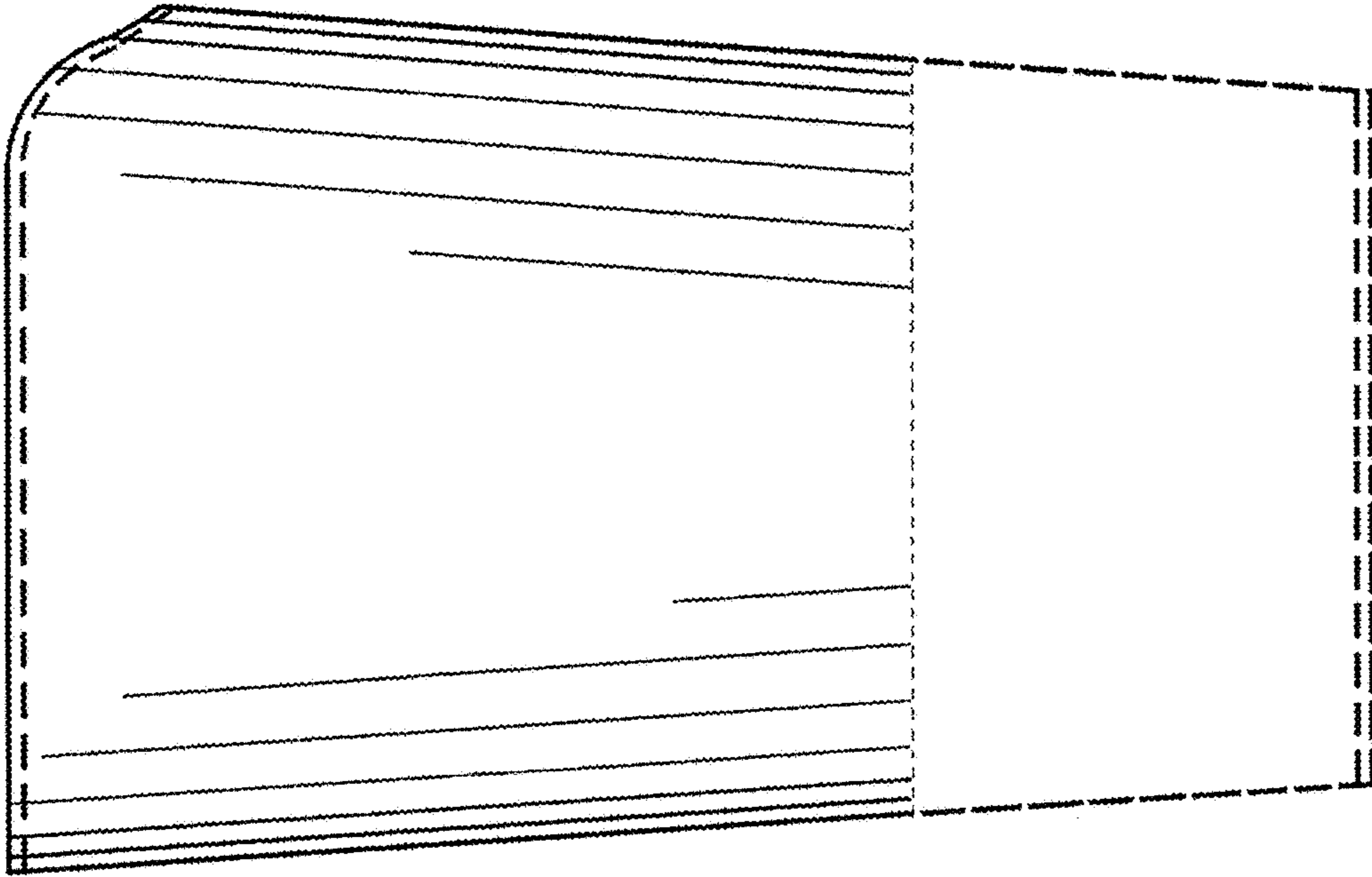


FIG. 12

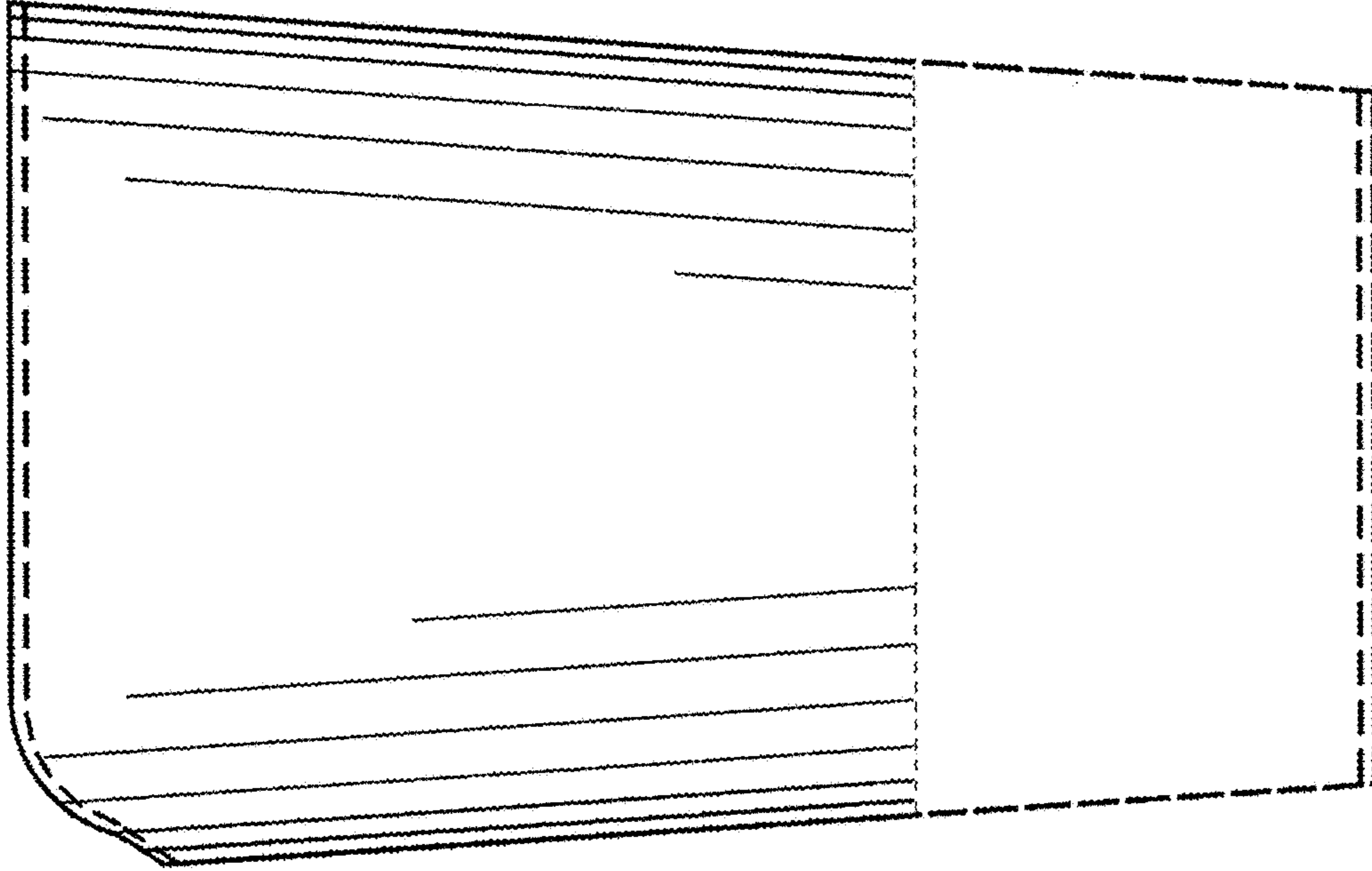


FIG. 11

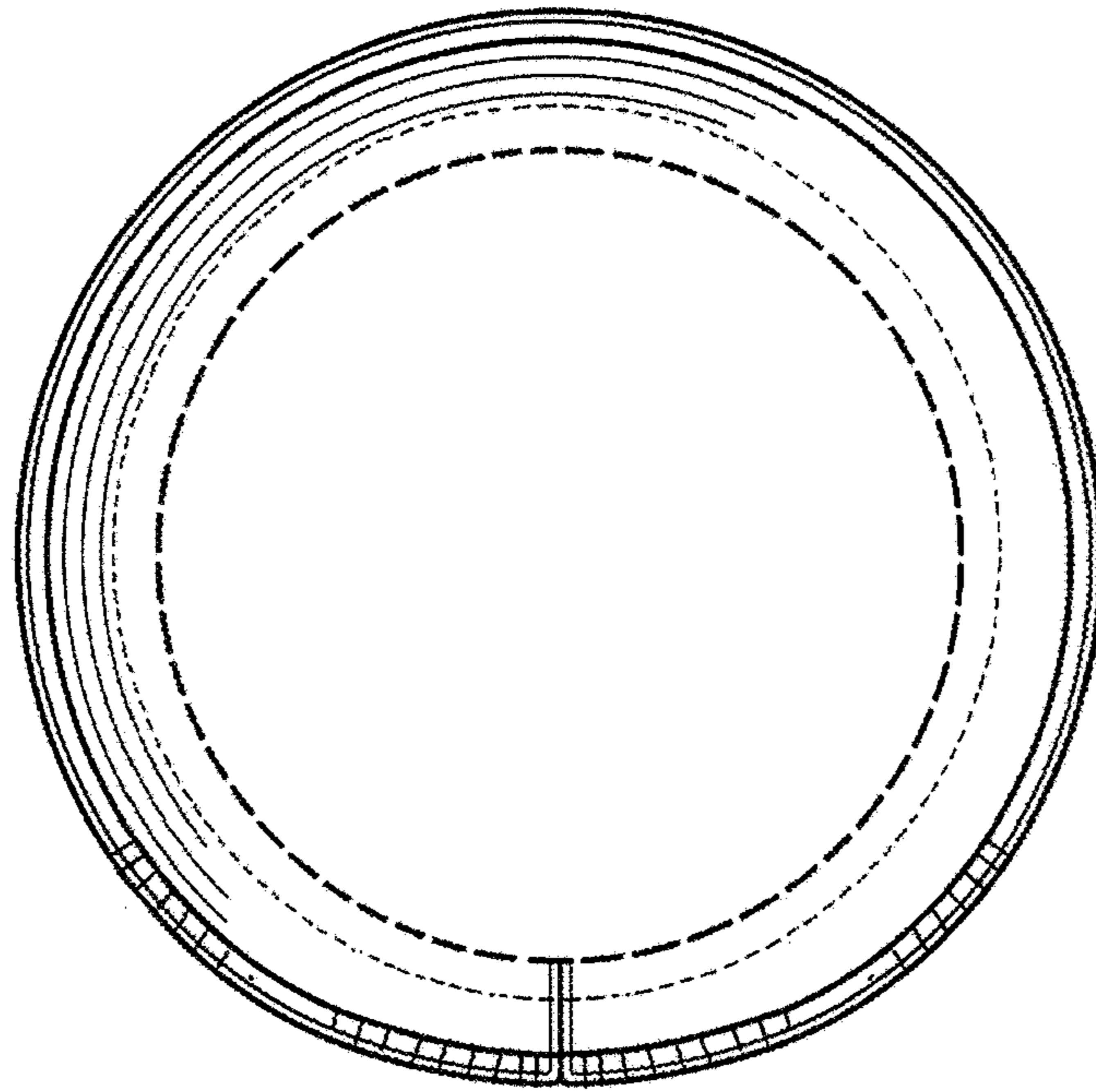


FIG. 13

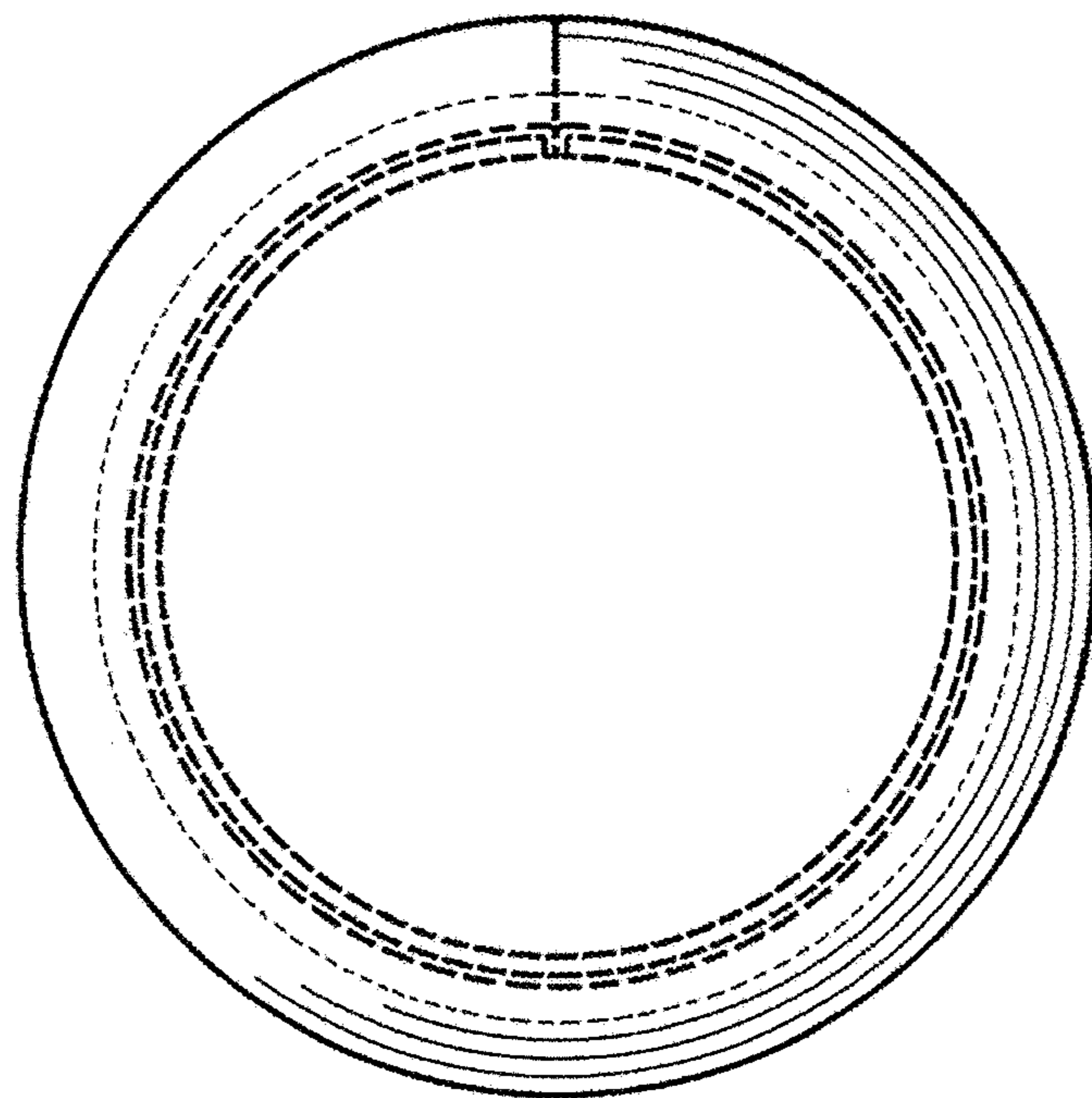


FIG. 14