



US00D853201S

(12) **United States Design Patent** (10) **Patent No.:** **US D853,201 S**
Collie (45) **Date of Patent:** **** Jul. 9, 2019**

(54) **BACKPACK COOLER**

(56) **References Cited**

(71) Applicant: **James E. Collie**, St. Augustine, FL (US)

U.S. PATENT DOCUMENTS

(72) Inventor: **James E. Collie**, St. Augustine, FL (US)

D273,833	S	*	5/1984	Taylor	D3/244
D387,249	S	*	12/1997	Mogil	D7/607
D425,761	S	*	5/2000	Philipson	D7/607
D469,608	S	*	2/2003	Nevins	D3/300
D590,148	S	*	4/2009	Lin	D3/217
2005/0056669	A1	*	3/2005	Lavelle	A41D 3/08
						224/153
2005/0133399	A1	*	6/2005	Fidrych	A45F 3/04
						206/545
2016/0244239	A1	*	8/2016	Nash	A45F 3/04

(**) Term: **15 Years**

(21) Appl. No.: **29/631,688**

(22) Filed: **Jan. 2, 2018**

(51) **LOC (11) Cl.** **07-01**

(52) **U.S. Cl.**
USPC **D7/605**; D3/216

(58) **Field of Classification Search**
USPC D7/605-607, 709, 710; D3/215-217, D3/315, 318, 276, 268, 273, 267, 233, D3/283, 289

CPC B65D 81/3858; B65D 81/3823; B65D 81/3888; B65D 81/3897; B65D 81/38; B65D 30/08; B65D 31/04; B65D 8/14; A45F 3/04; A45F 3/02; A45F 3/16; A45F 3/042; A45F 3/047; A45F 3/00; A45F 3/12; A45F 3/14; A45F 2003/045; A45F 2003/122; A45F 2003/142; A45F 2003/144; A45F 2003/146; A45F 2003/148; A45F 5/00; A45F 5/02; F25D 2331/801; F25D 2331/804

See application file for complete search history.

* cited by examiner

Primary Examiner — Terry A Wallace

(74) *Attorney, Agent, or Firm* — Thomas I Horstemeyer, LLP

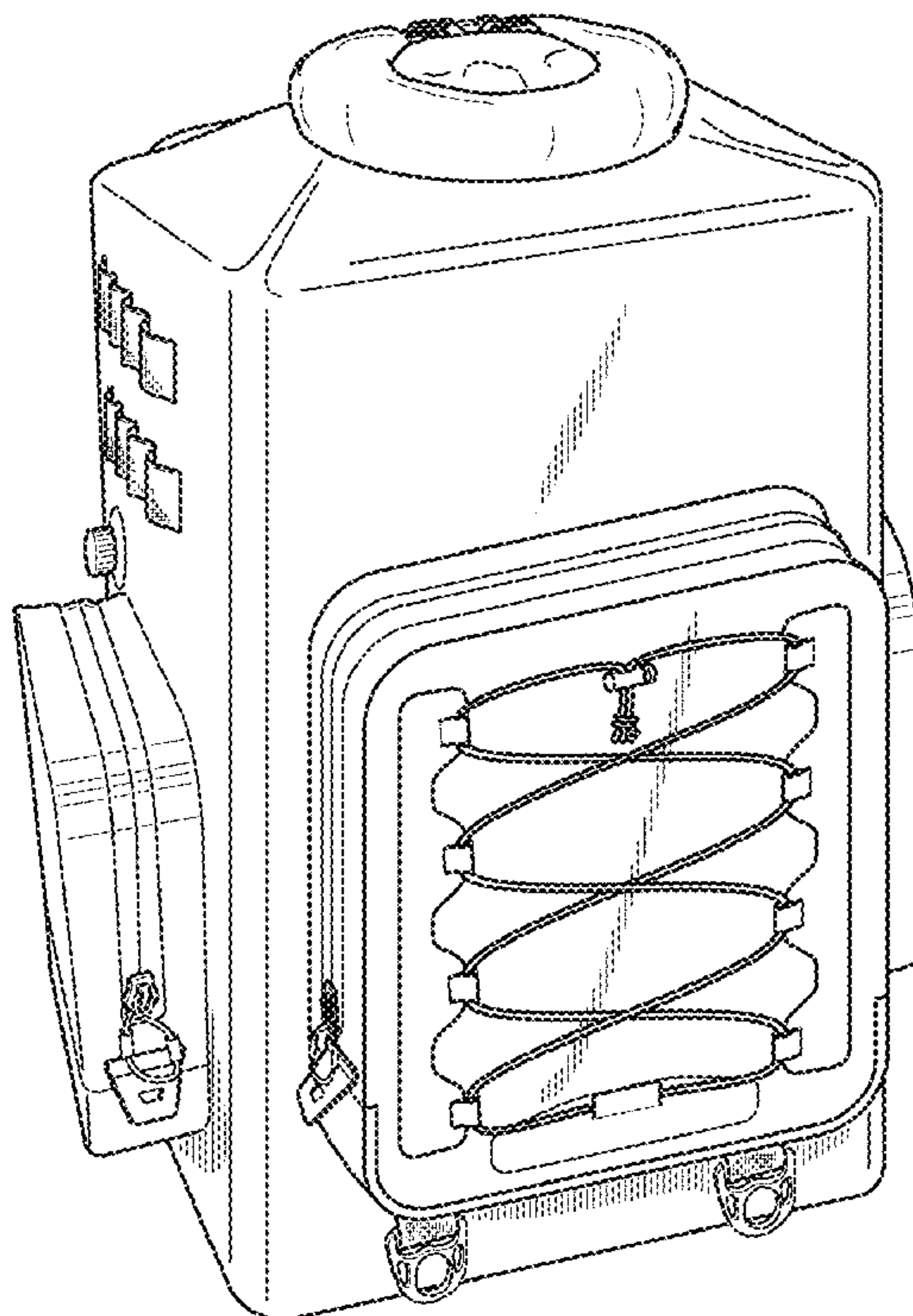
(57) **CLAIM**

The ornamental design of a backpack cooler, as shown and described.

DESCRIPTION

FIG. 1 is a perspective view showing my new backpack cooler;
FIG. 2 is a left side view thereof;
FIG. 3 is a right side view thereof;
FIG. 4 is a front view thereof;
FIG. 5 is a back view thereof;
FIG. 6 is a top view; and,
FIG. 7 is a bottom view.

1 Claim, 7 Drawing Sheets



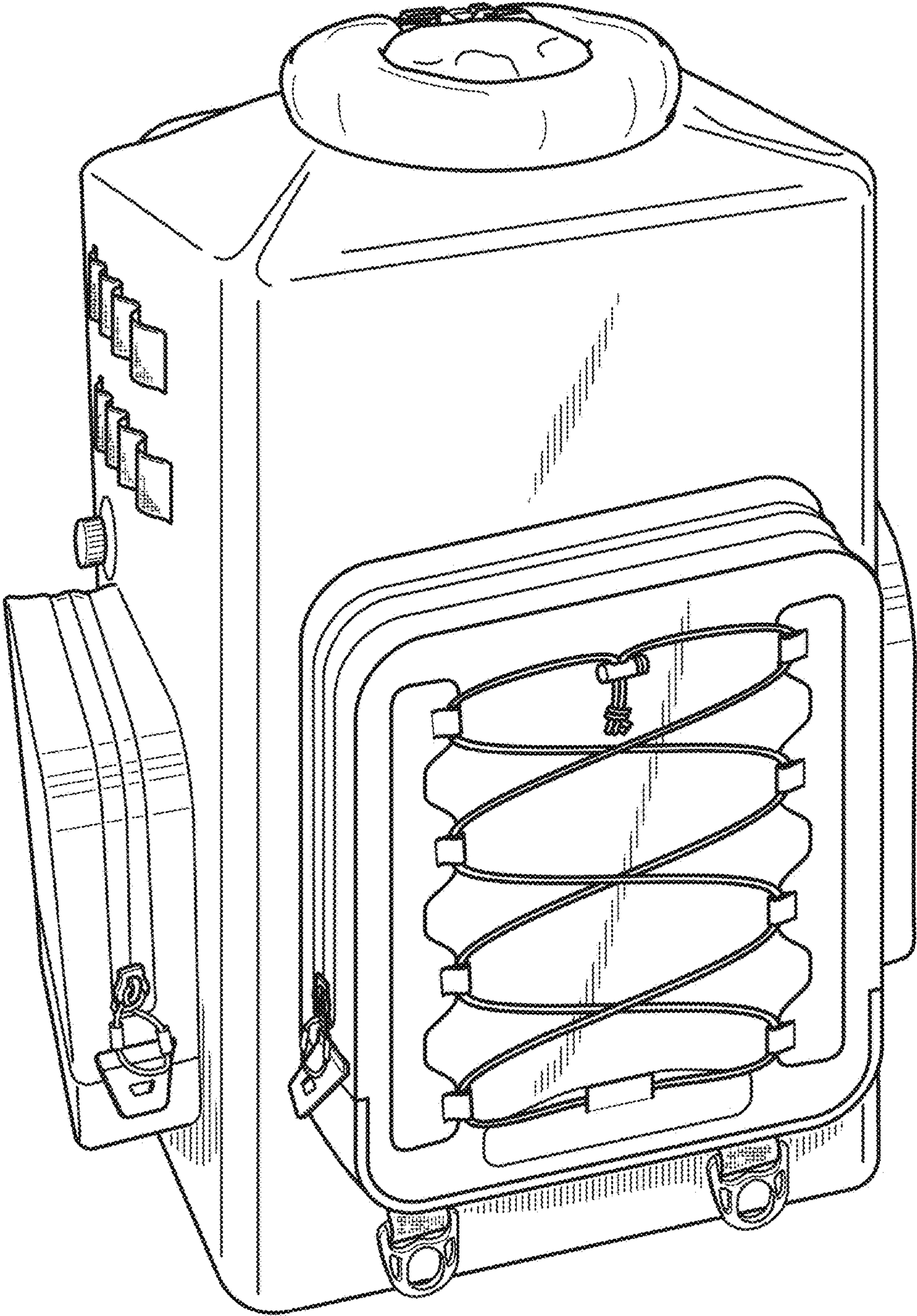


FIG. 1

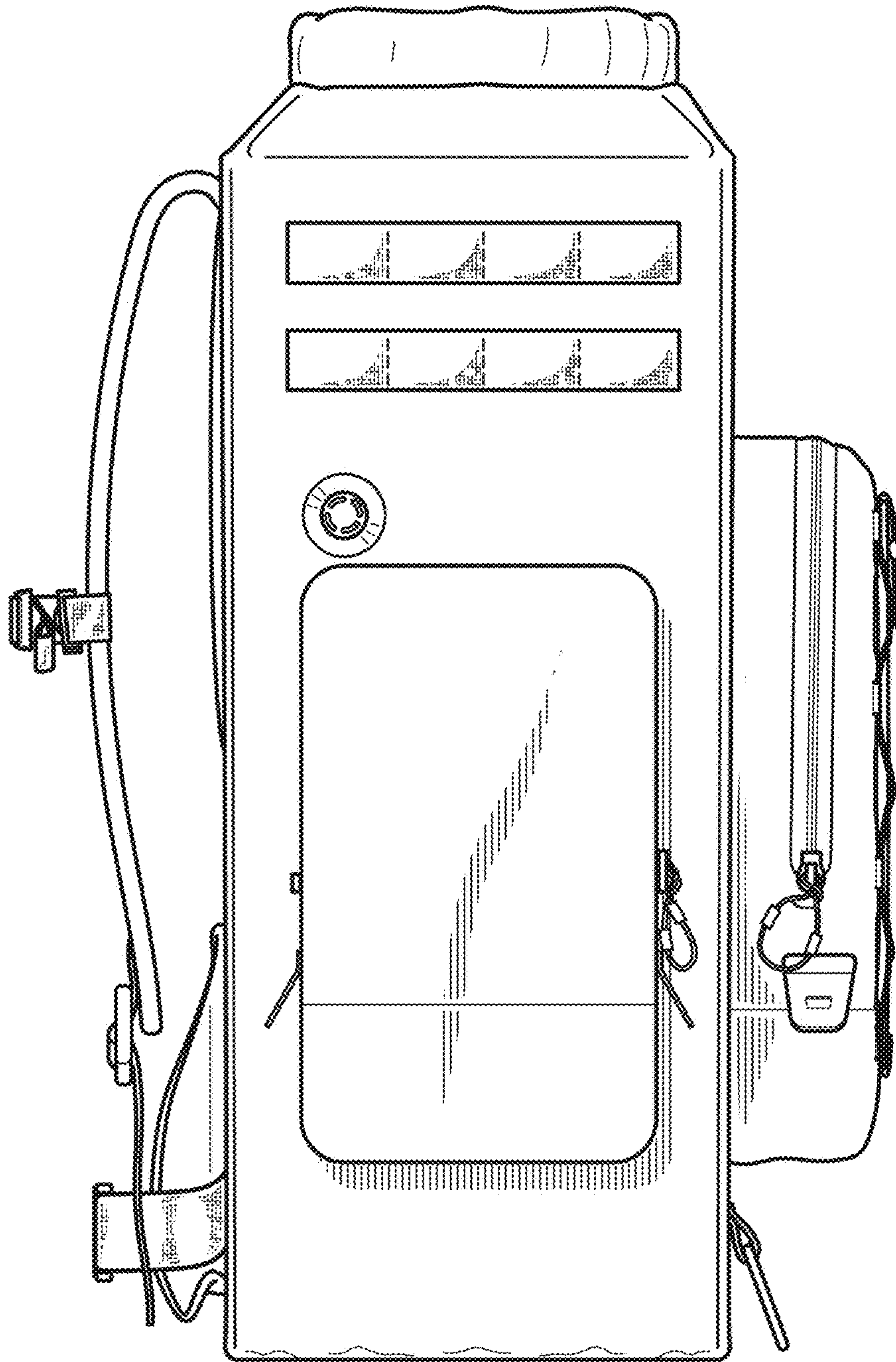


FIG. 2

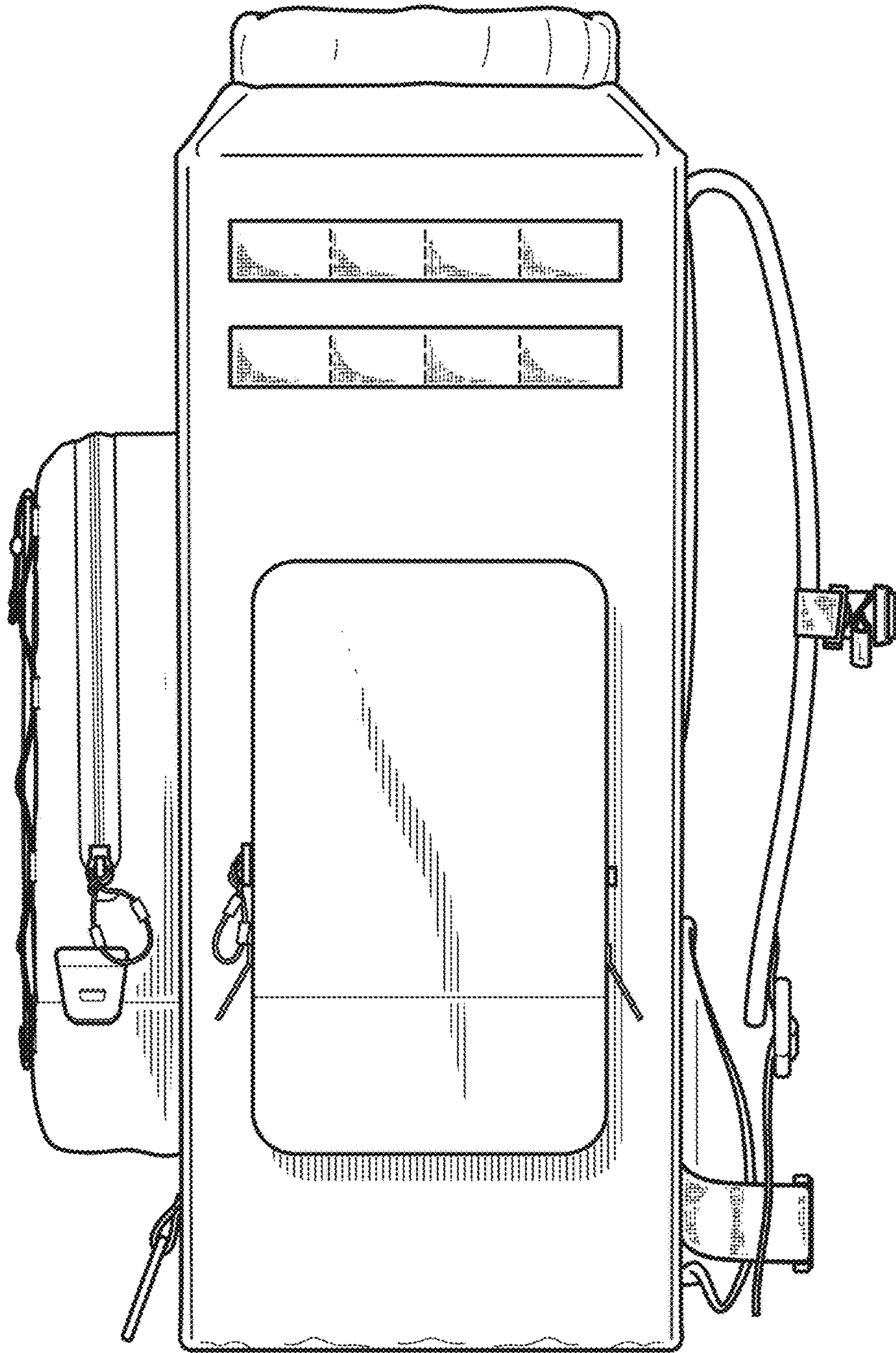


FIG. 3

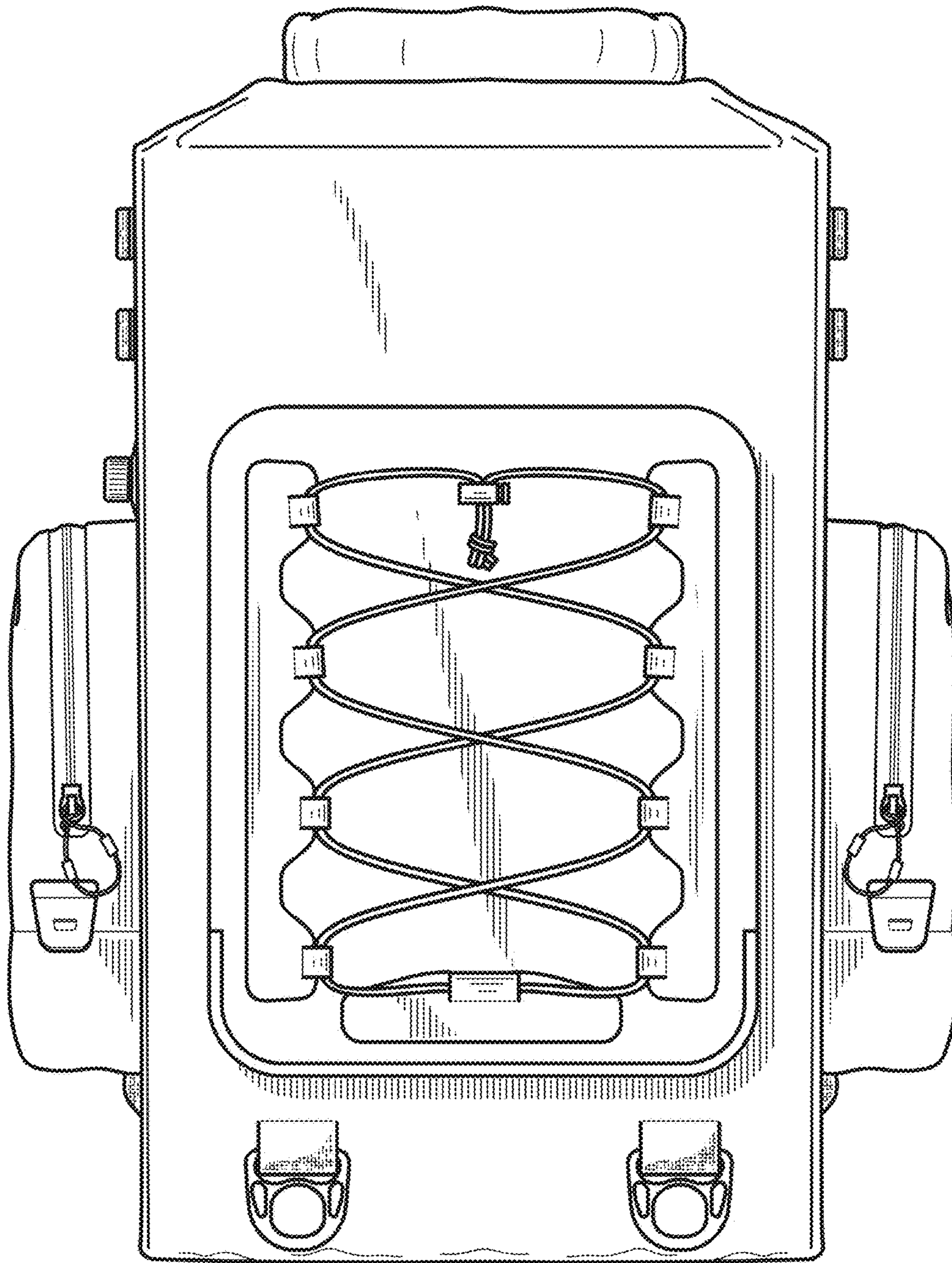


FIG. 4

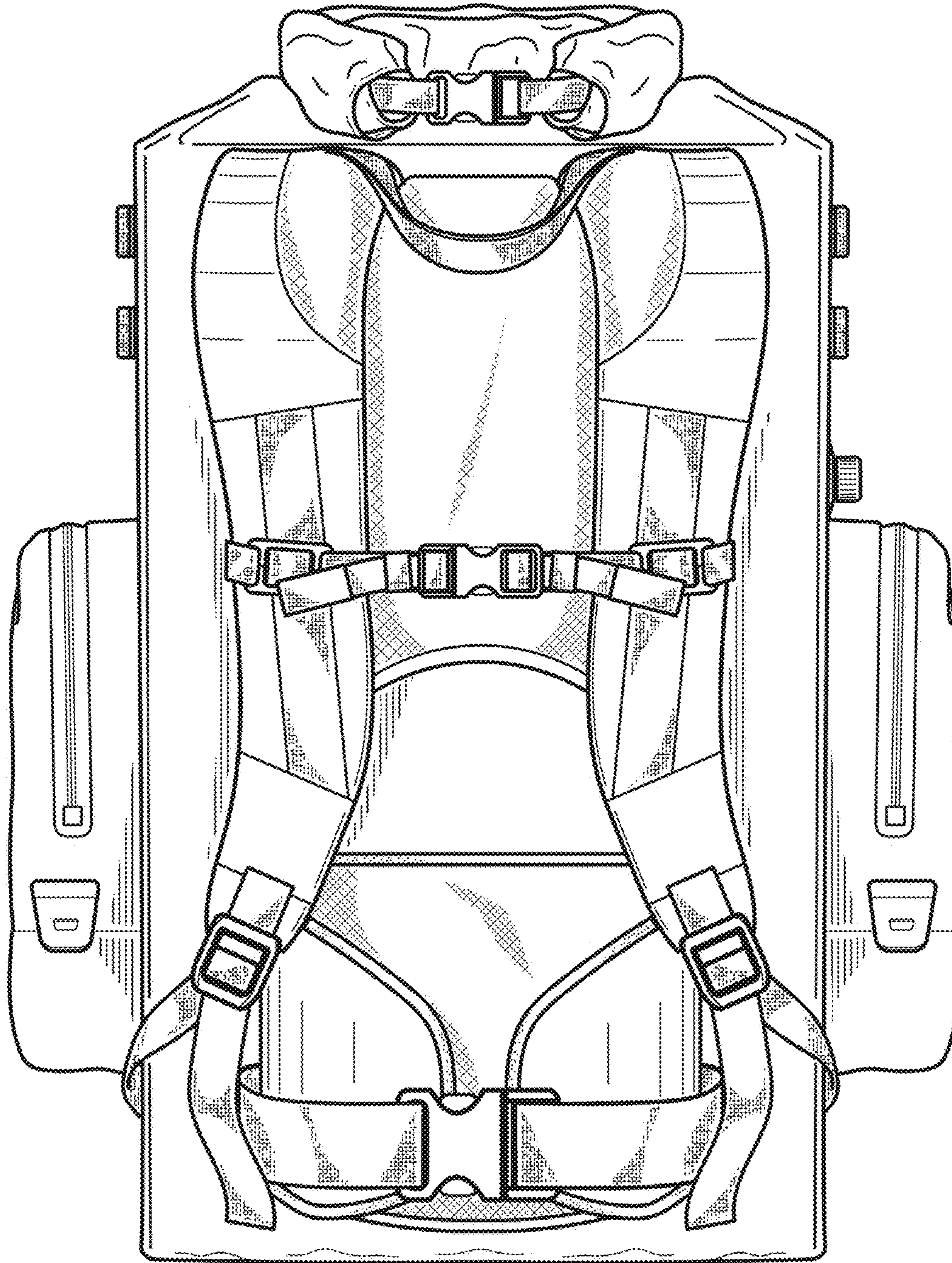


FIG. 5

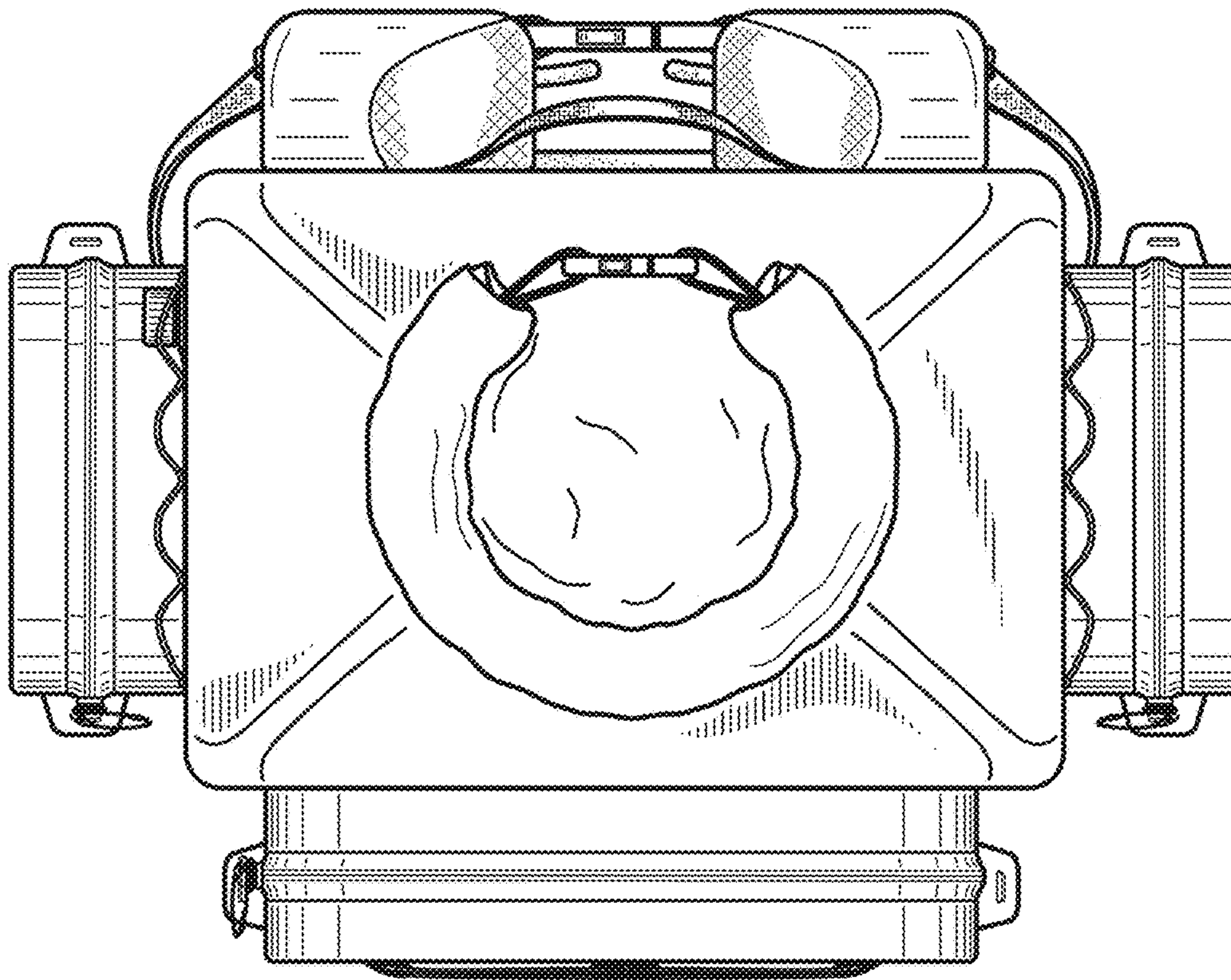


FIG. 6

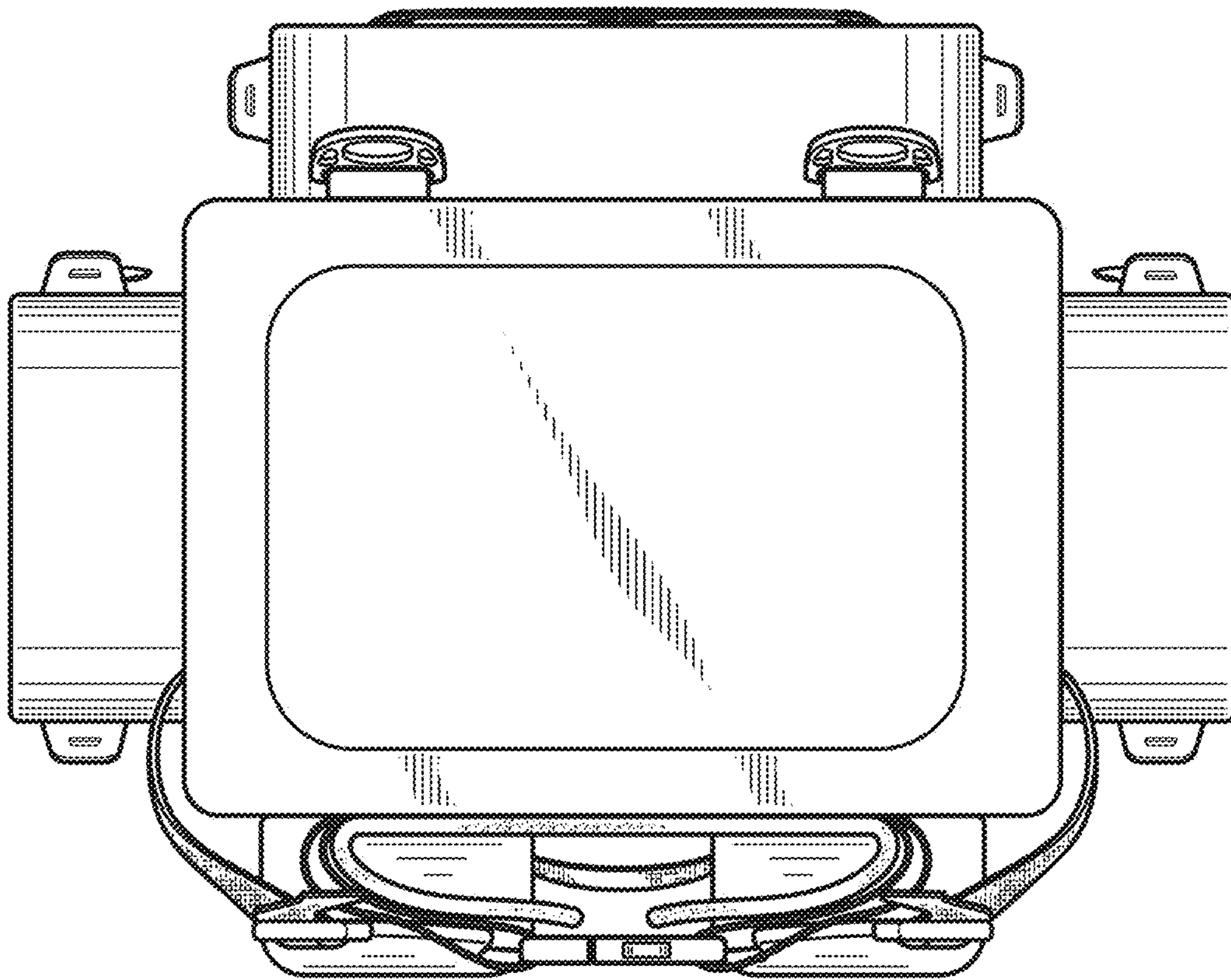


FIG. 7