



US00D853200S

(12) **United States Design Patent** (10) **Patent No.:** **US D853,200 S**
McClendon et al. (45) **Date of Patent:** **** Jul. 9, 2019**

(54) **CRANBERRY SAUCE SERVING CONTAINER**
(71) Applicants: **David McClendon**, Littleton, CO (US);
Lara McClendon, Littleton, CO (US)
(72) Inventors: **David McClendon**, Littleton, CO (US);
Lara McClendon, Littleton, CO (US)
(**) Term: **15 Years**
(21) Appl. No.: **29/653,131**
(22) Filed: **Jun. 12, 2018**
(51) **LOC (11) Cl.** **07-01**
(52) **U.S. Cl.**
USPC **D7/587**
(58) **Field of Classification Search**
USPC 206/561; D7/557, 587, 558, 541, 584,
D7/588; 220/574
CPC A47G 23/06; A47G 19/02
See application file for complete search history.

D513,935 S * 1/2006 Achenbach D7/585
D537,678 S * 3/2007 Glander D7/554.3
D575,990 S * 9/2008 Altiner D7/566
D577,963 S * 10/2008 Eide D7/585
D589,300 S * 3/2009 Altiner D7/392.1
D589,301 S * 3/2009 Altiner D7/392.1
D607,279 S * 1/2010 Hollis D7/545
D629,246 S * 12/2010 Ruffoni D7/354
D634,586 S * 3/2011 Bernardaud D7/585
D640,099 S * 6/2011 Marshall D7/584
D647,761 S * 11/2011 Weber D7/587
D685,611 S * 7/2013 Jones D7/544
D730,115 S * 5/2015 Miller D7/396.4
D734,102 S * 7/2015 Schonfeld D7/645
D737,099 S * 8/2015 Marshall D7/500

(Continued)

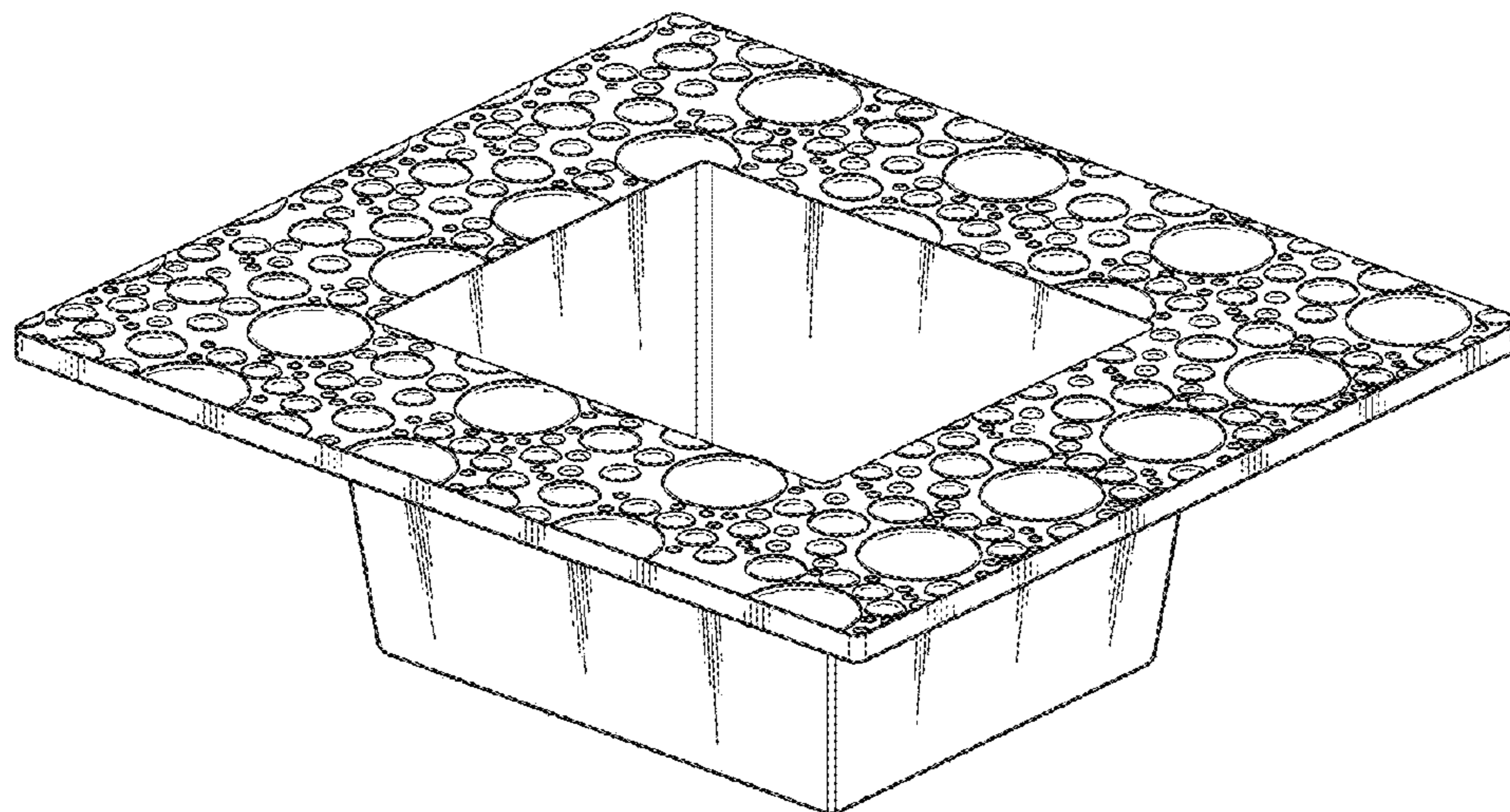
Primary Examiner — Cynthia R Underwood
(74) *Attorney, Agent, or Firm* — Holland & Hart, LLP

(57) **CLAIM**
We claim the ornamental design for a cranberry sauce serving container, as shown and described.

(56) **References Cited**
U.S. PATENT DOCUMENTS
D16,150 S * 7/1885 Ledig D7/554.3
D81,293 S * 6/1930 Kirkpatrick D7/585
D95,752 S * 5/1935 Kaiser D7/585
D161,205 S * 12/1950 Raleigh D7/551.1
3,097,780 A * 7/1963 Witmer A47G 19/03
220/574
D232,684 S * 9/1974 Eicholtz 220/574
D344,211 S * 2/1994 Froger D7/560
D402,852 S * 12/1998 Benson D7/545
D422,180 S * 4/2000 Sundberg D7/543
D434,277 S * 11/2000 Martel D7/586
D434,947 S * 12/2000 Wellner D7/586
D478,477 S * 8/2003 Tisdale D7/586
D481,262 S * 10/2003 Tisdale D7/586
D484,002 S * 12/2003 Carlson D7/584
D485,472 S * 1/2004 McMullin D7/545
D489,227 S * 5/2004 Wellner D7/554.3

DESCRIPTION
FIG. 1 is a front perspective view of a cranberry sauce serving container showing our new design.
FIG. 2 is a top plan view of the cranberry sauce serving container.
FIG. 3 is a bottom plan view of the cranberry sauce serving container.
FIG. 4 is a front elevation view of the cranberry sauce serving container, of which the rear elevation is a mirror image thereto.
FIG. 5 is a right side elevation view of the cranberry sauce serving container, of which the left side elevation is a mirror image thereto; and,
FIG. 6 is a sectioned view of the cranberry sauce serving container taken along the plane 6-6.

1 Claim, 4 Drawing Sheets



(56)

References Cited

U.S. PATENT DOCUMENTS

D751,456 S *	3/2016	Pettigrew	D11/152
D760,031 S *	6/2016	Jondal	D7/587
D786,625 S *	5/2017	Passot	D7/586
D817,103 S *	5/2018	Clarichetti	D7/585
D820,640 S *	6/2018	Aviav	D7/529

* cited by examiner

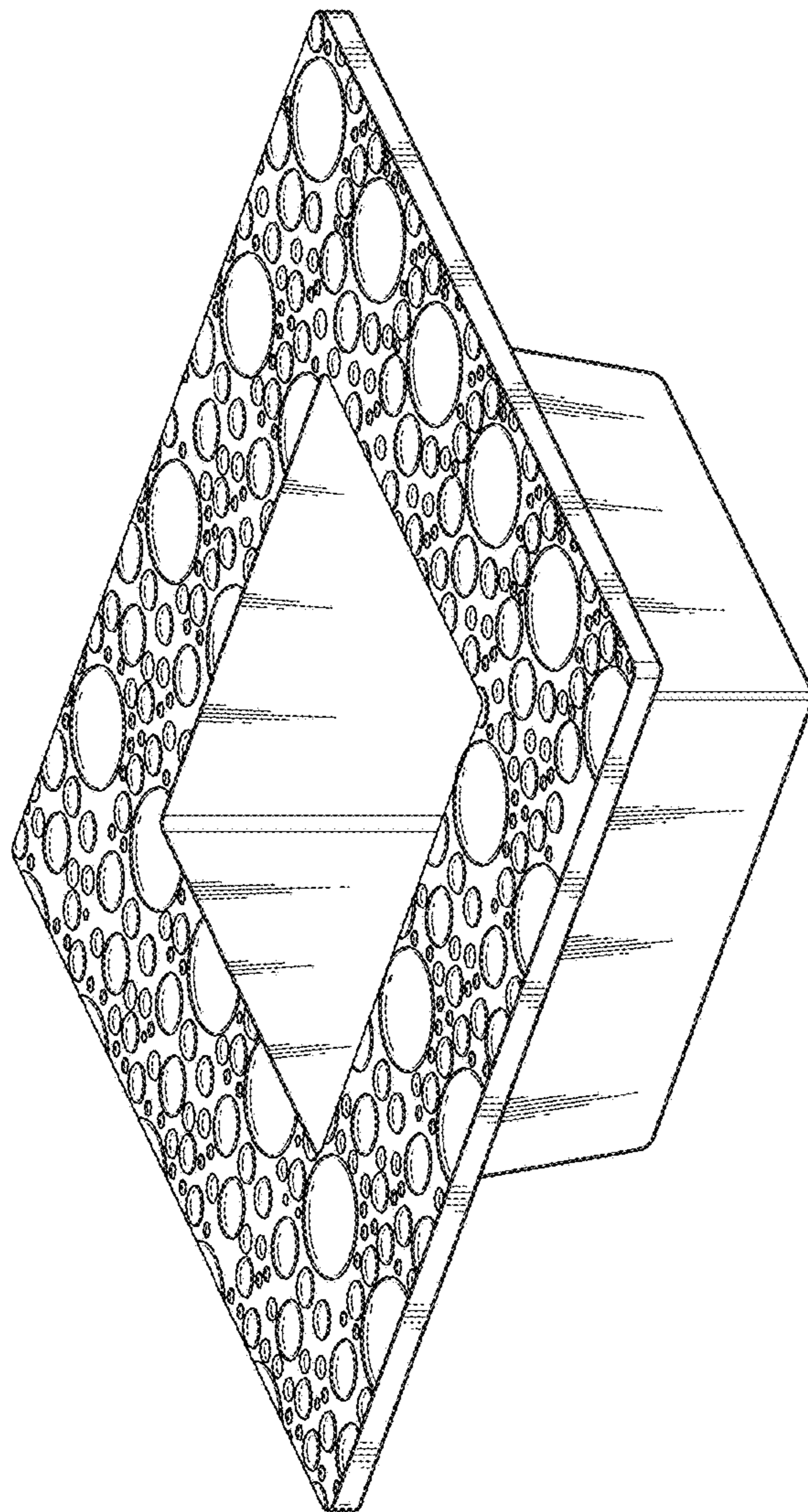


FIG. 1

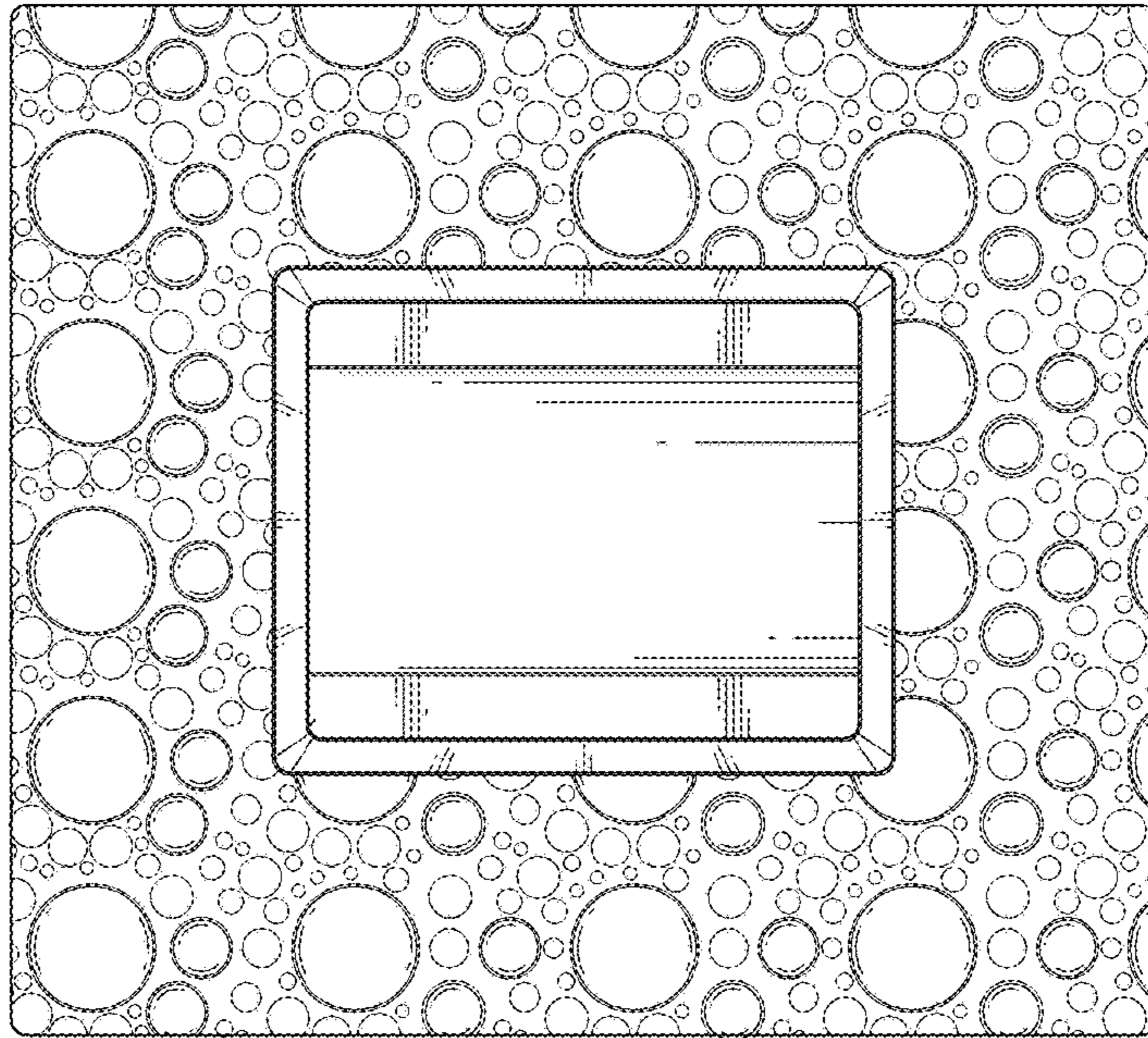


FIG. 2

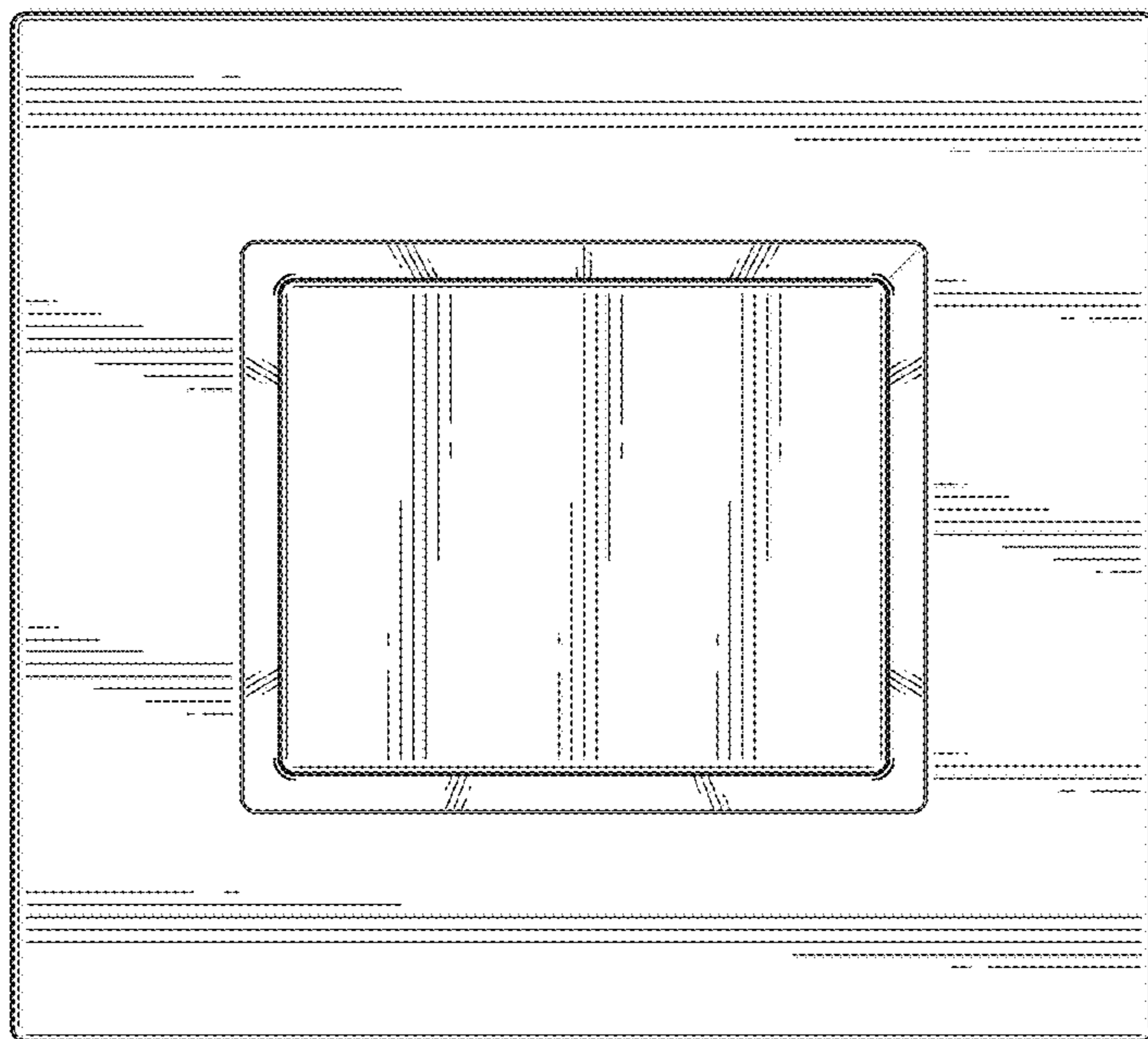


FIG. 3

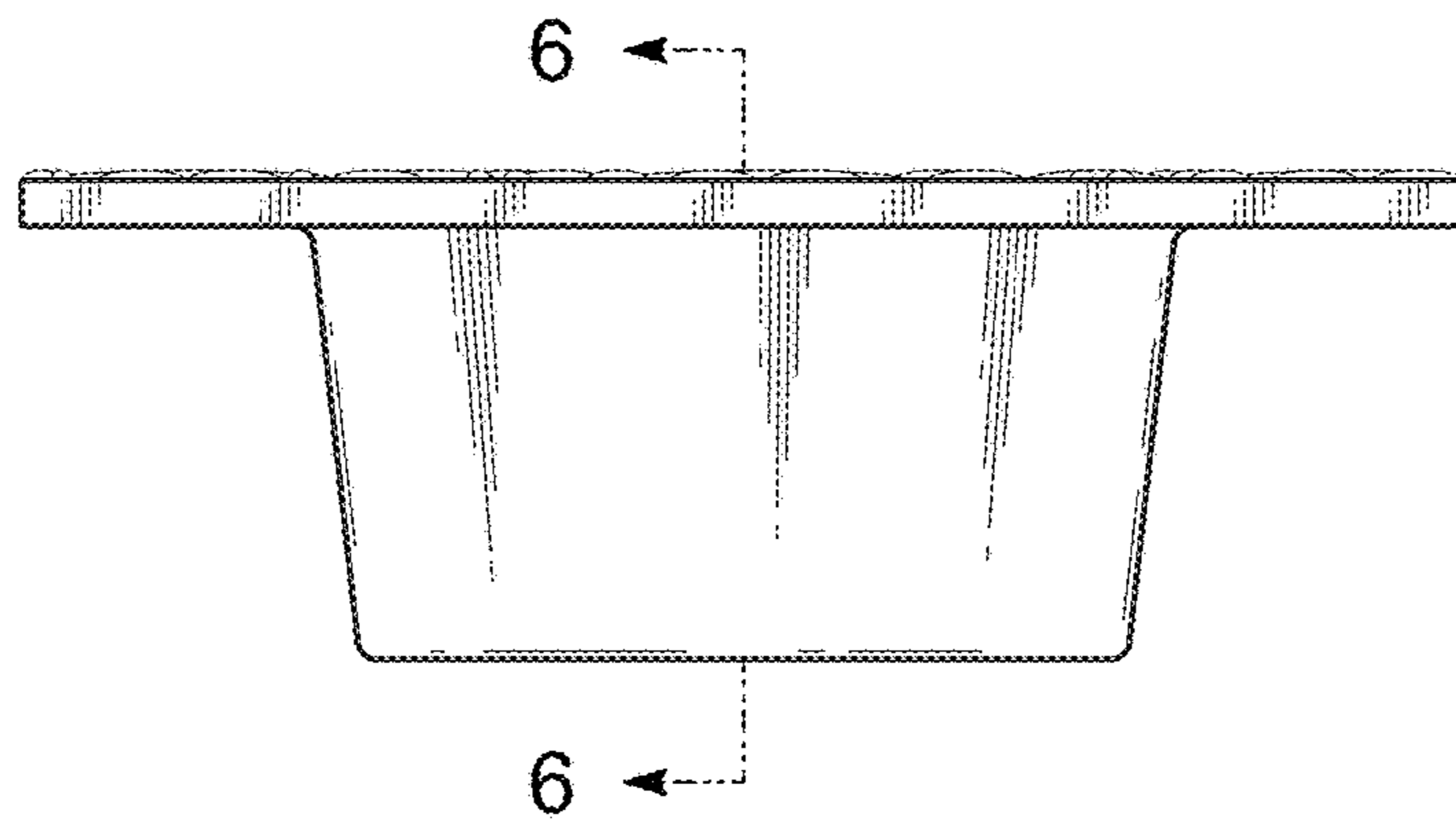


FIG. 4

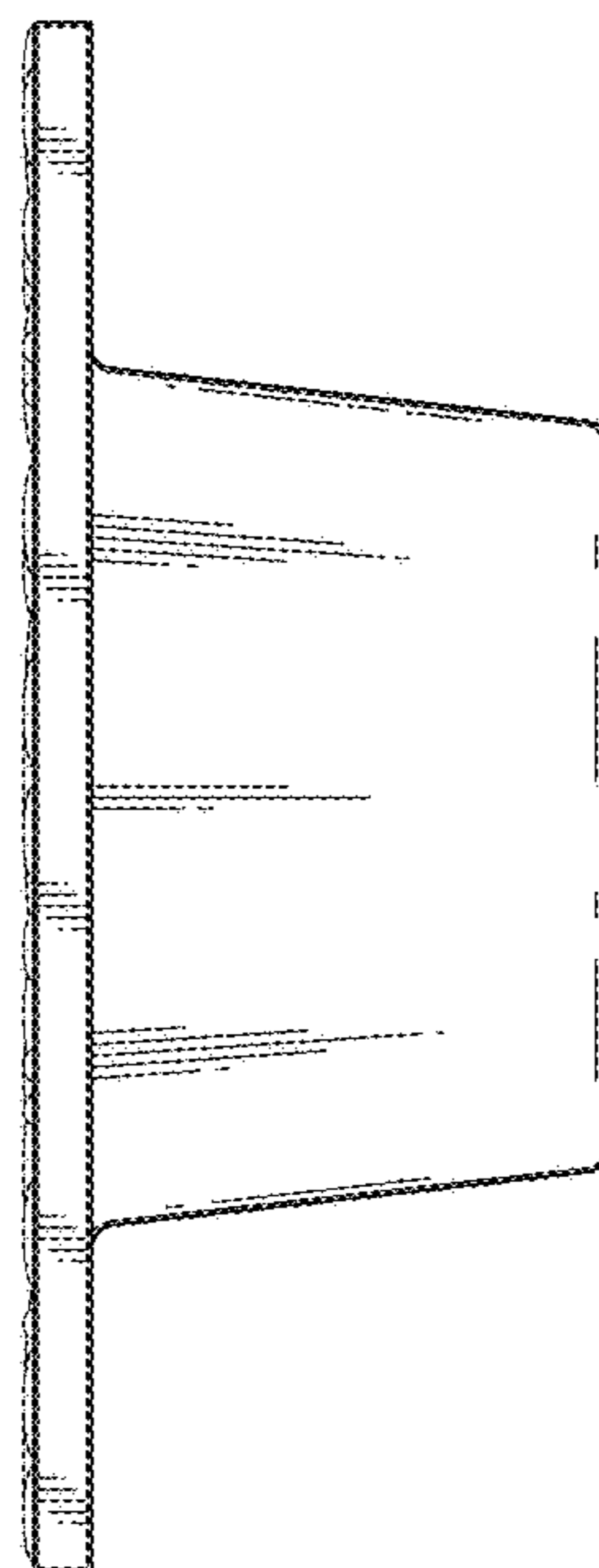


FIG. 5

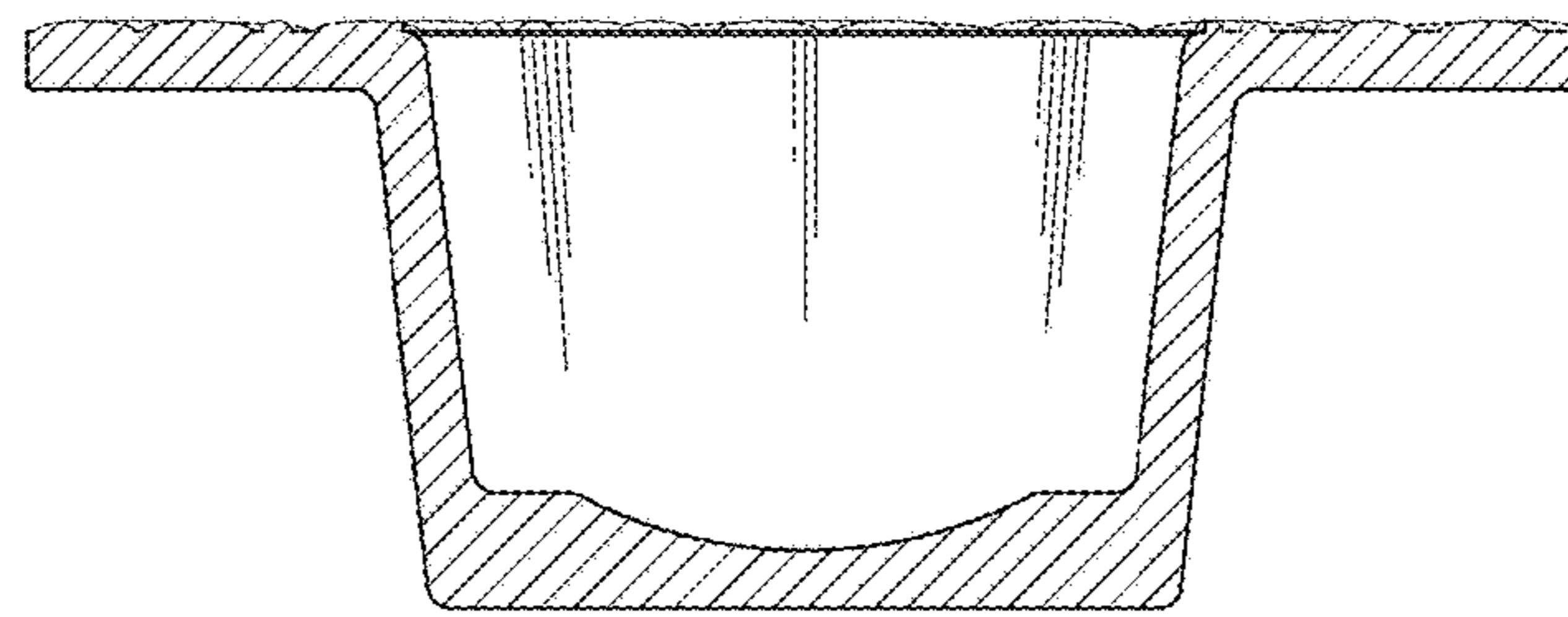


FIG. 6