



US00D853199S

(12) **United States Design Patent** (10) **Patent No.:** **US D853,199 S**
Huang et al. (45) **Date of Patent:** **** Jul. 9, 2019**

(54) **PLATE**
(71) Applicant: **Minima Technology Co., Ltd.**,
Taichung (TW)
(72) Inventors: **Chien-Ming Huang**, Taichung (TW);
Yu-Kai Huang, Taichung (TW)
(73) Assignee: **MINIMA TECHNOLOGY CO., LTD.**,
Taichung (TW)
(**) Term: **15 Years**
(21) Appl. No.: **29/648,523**
(22) Filed: **May 22, 2018**
(51) **LOC (11) Cl.** **07-01**
(52) **U.S. Cl.**
USPC **D7/551.1**
(58) **Field of Classification Search**
USPC D7/396.4, 500, 543, 550.1, 551.1, 552.1,
D7/553.1, 553.6, 554.2; D9/424, 749;
D30/129-130
CPC ... B65D 1/34; B65D 1/36; B65D 3/02; B65D
21/0204; A47G 23/06
See application file for complete search history.

D650,237 S * 12/2011 McComas D7/546
D700,016 S * 2/2014 Filbrun D7/553.1
D722,471 S * 2/2015 Black, Jr. D7/555
D784,769 S * 4/2017 Beckman D7/553.1
D792,222 S * 7/2017 Sill D9/456
D818,318 S * 5/2018 Zhou D7/553.2
D823,553 S * 7/2018 Liu D30/130
D840,232 S * 2/2019 Sill D9/456
2011/0240653 A1* 10/2011 Castner A45C 11/20
220/526

* cited by examiner

Primary Examiner — Kelley A Donnelly
(74) *Attorney, Agent, or Firm* — Muncy, Geissler, Olds &
Lowe, P.C.

(57) **CLAIM**

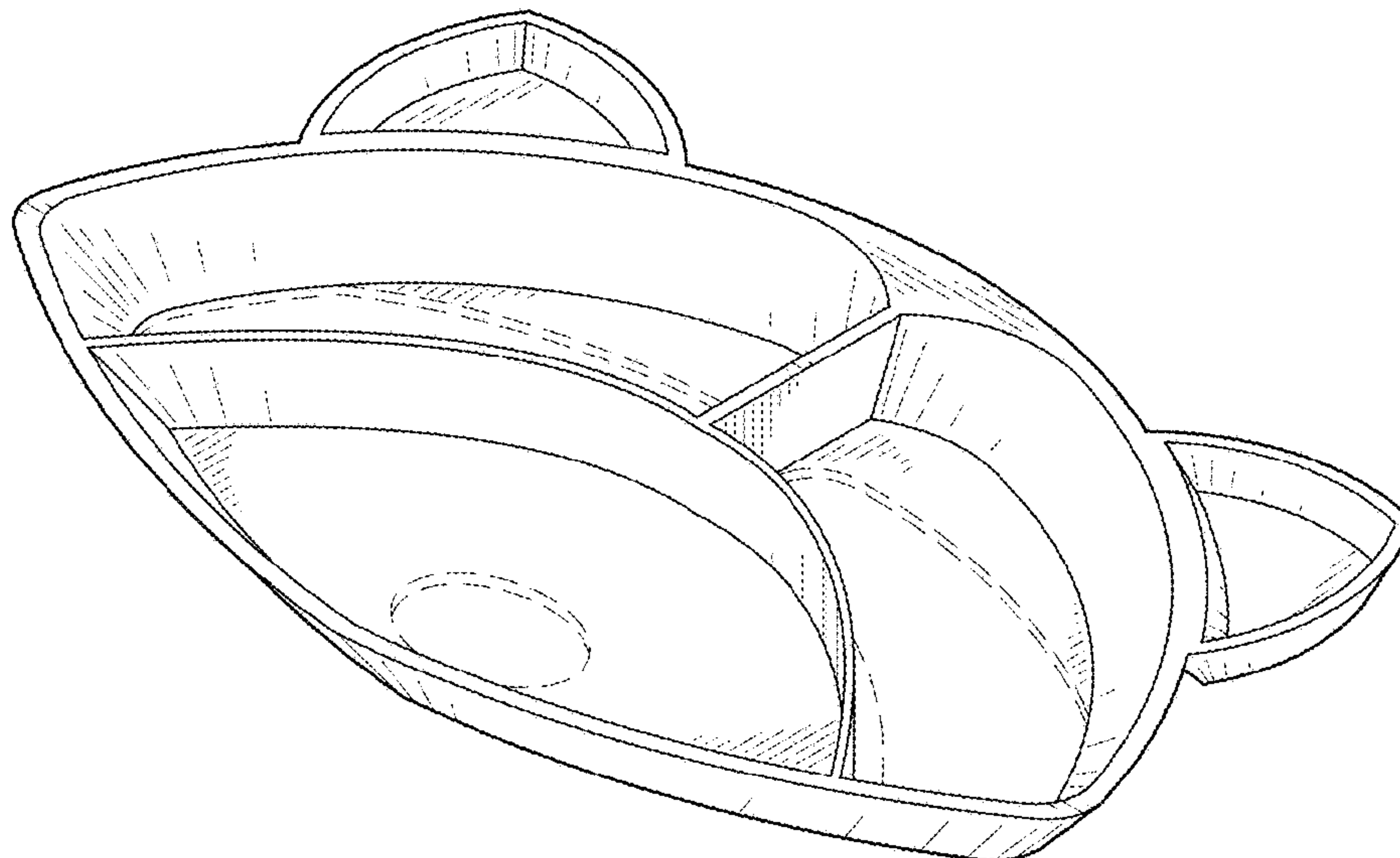
The ornamental design for a plate, as shown and described.

DESCRIPTION

FIG. 1 is a perspective view of a plate showing my new design;
FIG. 2 is a front elevational view thereof;
FIG. 3 is a rear elevational view thereof;
FIG. 4 is a left side elevational view thereof;
FIG. 5 is a right side elevational view thereof;
FIG. 6 is a top plan view thereof;
FIG. 7 is a bottom plan view thereof; and,
FIG. 8 is a perspective view of an embodiment.
The broken lines shown are included for the purpose of illustrating the unclaimed portions of the article and form no part of the claim.

1 Claim, 8 Drawing Sheets

(56) **References Cited**
U.S. PATENT DOCUMENTS
D426,110 S * 6/2000 Schmidt D7/549
D455,050 S * 4/2002 Tyler D7/549
D481,260 S * 10/2003 Bulcher D7/553.1
D481,592 S * 11/2003 Bulcher D7/553.1
D484,000 S * 12/2003 Levien D7/553.6
D551,024 S * 9/2007 Rousso D7/555



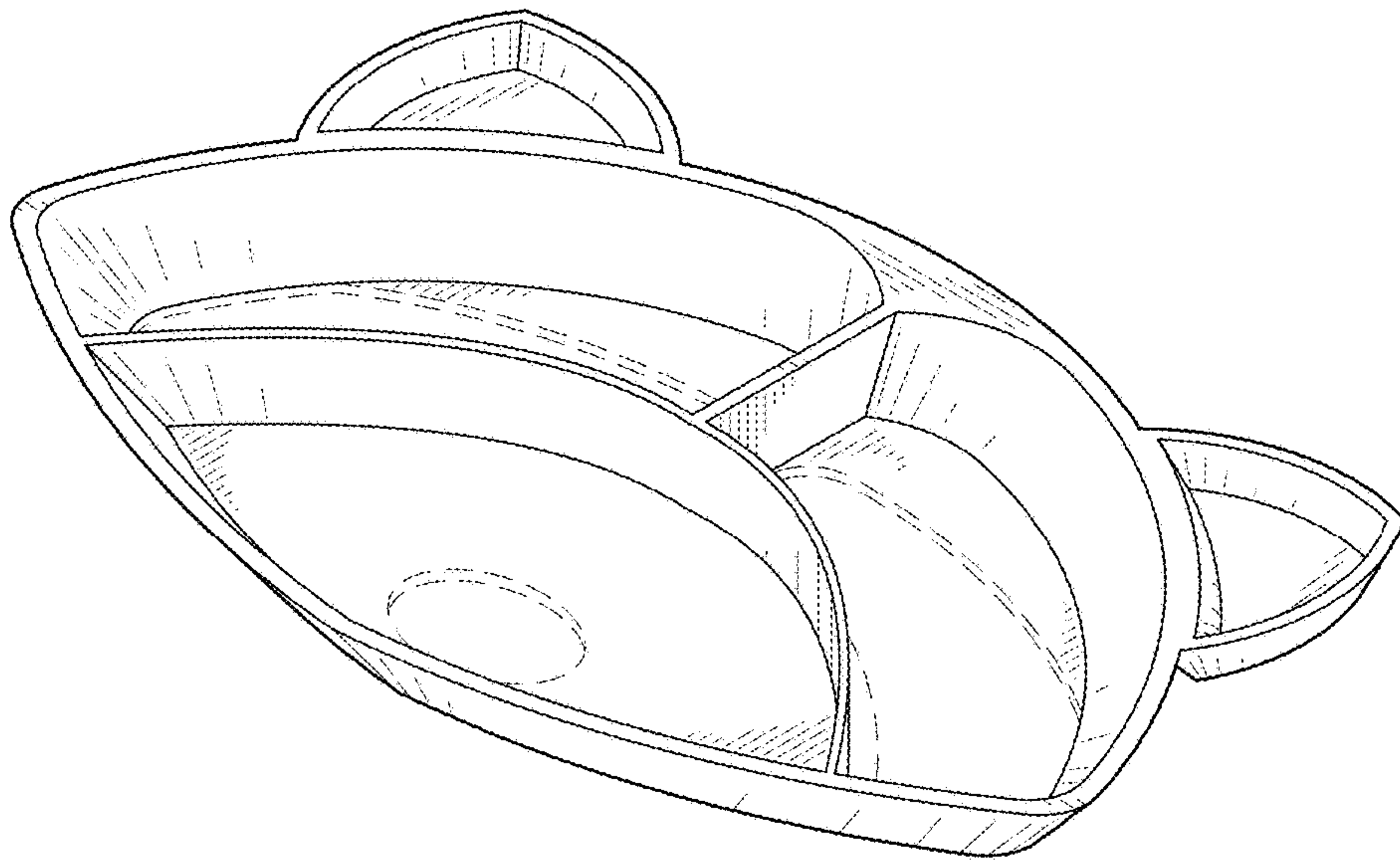


FIG. 1

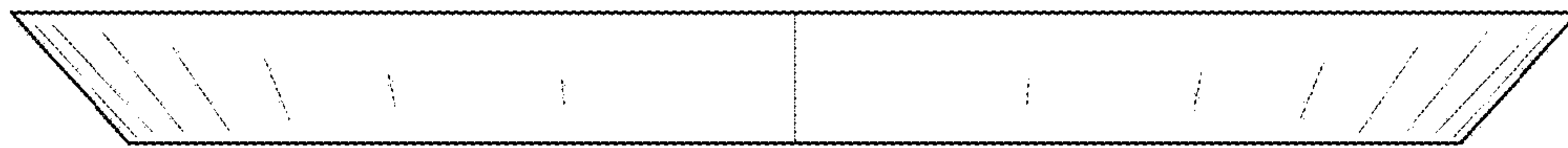


FIG. 2



FIG. 3



FIG. 4

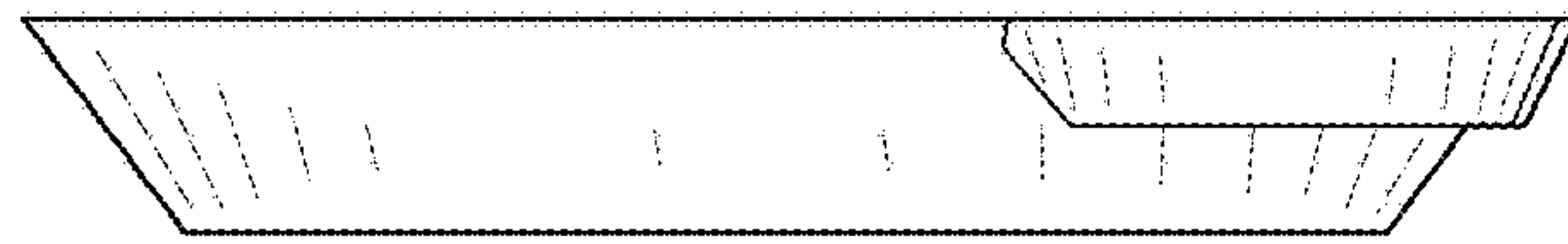


FIG. 5

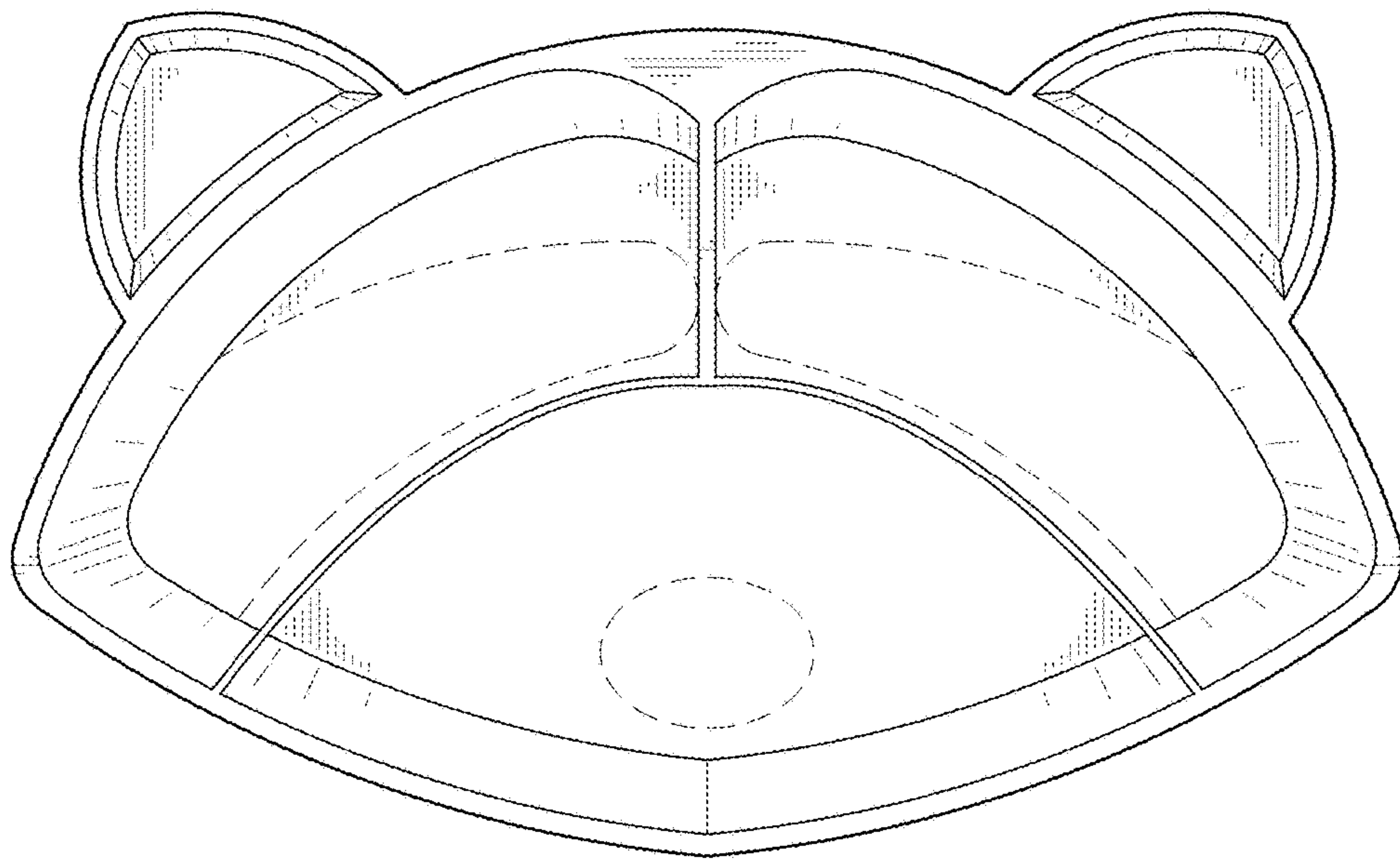


FIG. 6

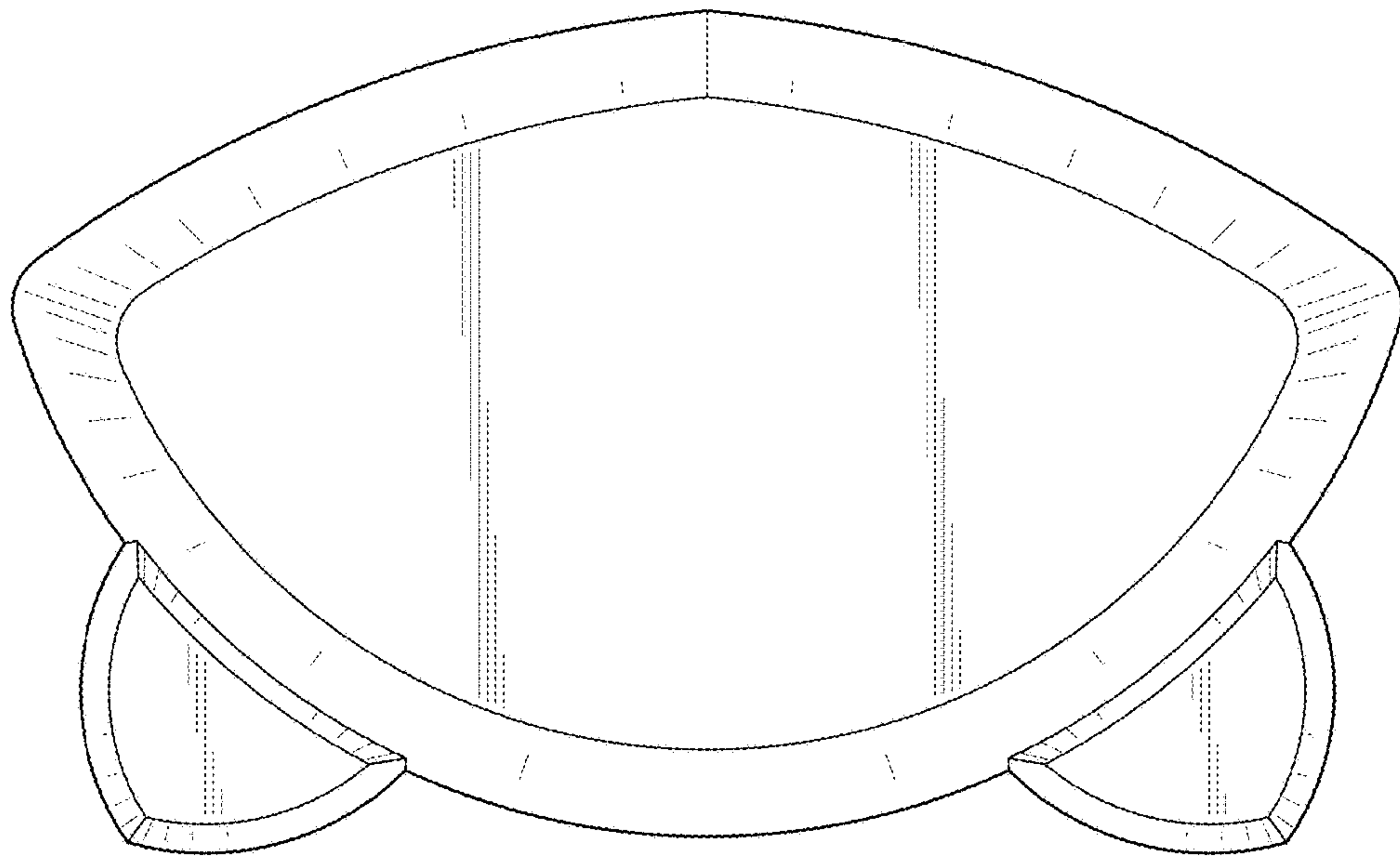


FIG. 7

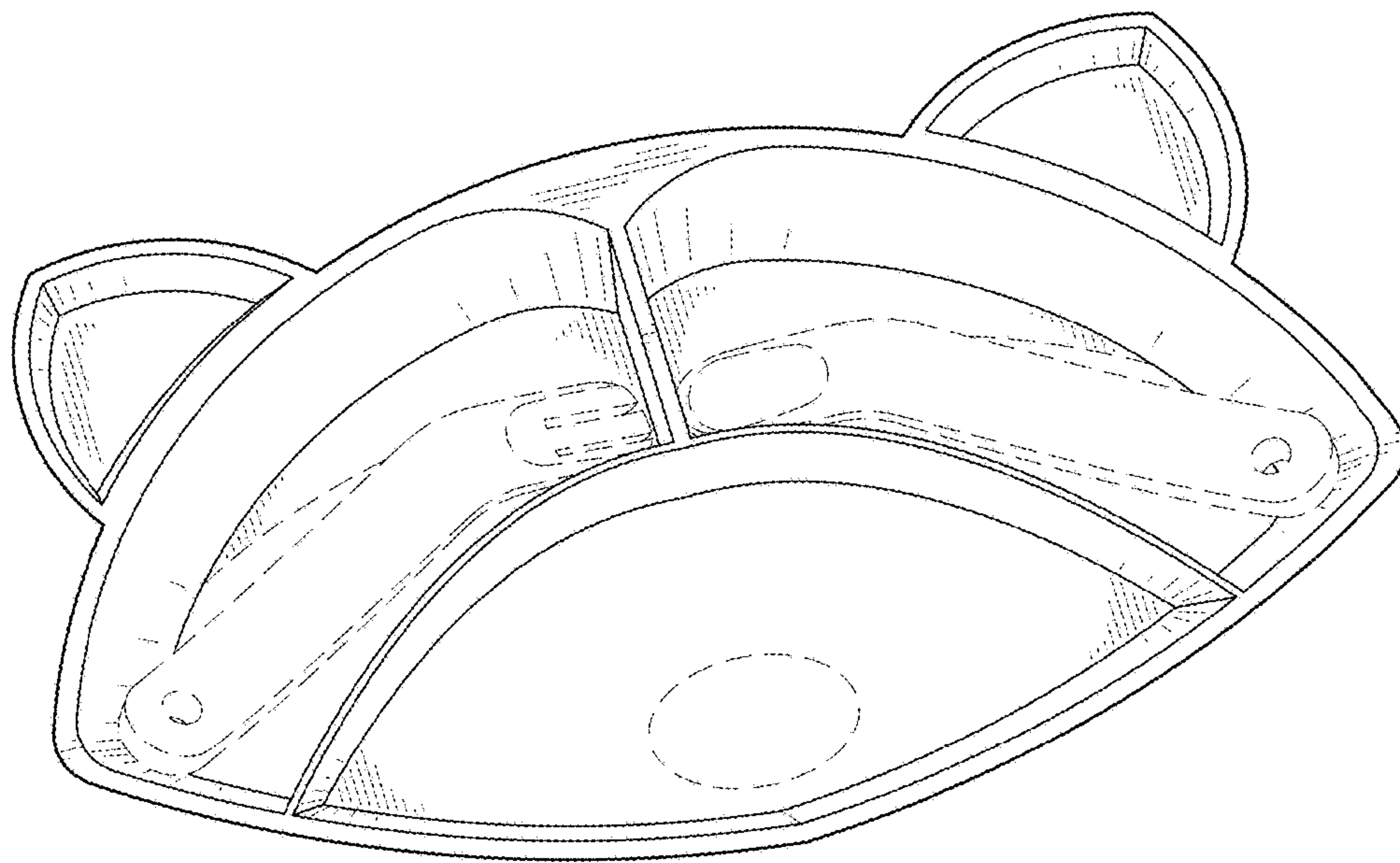


FIG. 8