



US00D853198S

(12) **United States Design Patent**
Huang et al.

(10) **Patent No.:** **US D853,198 S**
(45) **Date of Patent:** **** Jul. 9, 2019**

- (54) **PLATE**
- (71) Applicant: **Minima Technology Co., Ltd.**,
Taichung (TW)
- (72) Inventors: **Chien-Ming Huang**, Taichung (TW);
Yu-Kai Huang, Taichung (TW)
- (73) Assignee: **MINIMA TECHNOLOGY CO., LTD.**, Taichung (TW)
- (**) Term: **15 Years**
- (21) Appl. No.: **29/648,522**
- (22) Filed: **May 22, 2018**
- (51) **LOC (11) Cl.** **07-01**
- (52) **U.S. Cl.**
USPC **D7/551.1**
CPC **A47G 23/06** (2013.01)
- (58) **Field of Classification Search**
USPC D7/396.4, 500, 543, 550.1, 551.1, 552.1,
D7/553.1, 553.6, 554.2; D9/424, 749;
D30/129-130
CPC ... B65D 1/34; B65D 1/36; B65D 3/02; B65D
21/0204; A47G 23/06
See application file for complete search history.

D505,296 S *	5/2005	Thomas	D7/504
D577,223 S *	9/2008	Durmon, Jr.	D6/406.5
D700,016 S *	2/2014	Filbrun	D7/553.1
D703,486 S *	4/2014	Anzalone	D7/506
D725,836 S *	3/2015	Avalos Sartorio	D30/121
D745,807 S *	12/2015	Harris	D7/553.2
D786,621 S *	5/2017	Davis	D7/553.1
D792,222 S *	7/2017	Sill	D9/456
D793,812 S *	8/2017	Dennis	D7/553.2
D809,934 S *	2/2018	Shoshan	D9/737
D818,318 S *	5/2018	Zhou	D7/553.2
D823,553 S *	7/2018	Liu	D30/130
D840,232 S *	2/2019	Sill	D9/456
2011/0240653 A1 *	10/2011	Castner	A45C 11/20 220/526

* cited by examiner

Primary Examiner — Kelley A Donnelly

(74) *Attorney, Agent, or Firm* — Muncy, Geissler, Olds & Lowe, P.C.

(57) **CLAIM**

The ornamental design for a plate, as shown and described.

DESCRIPTION

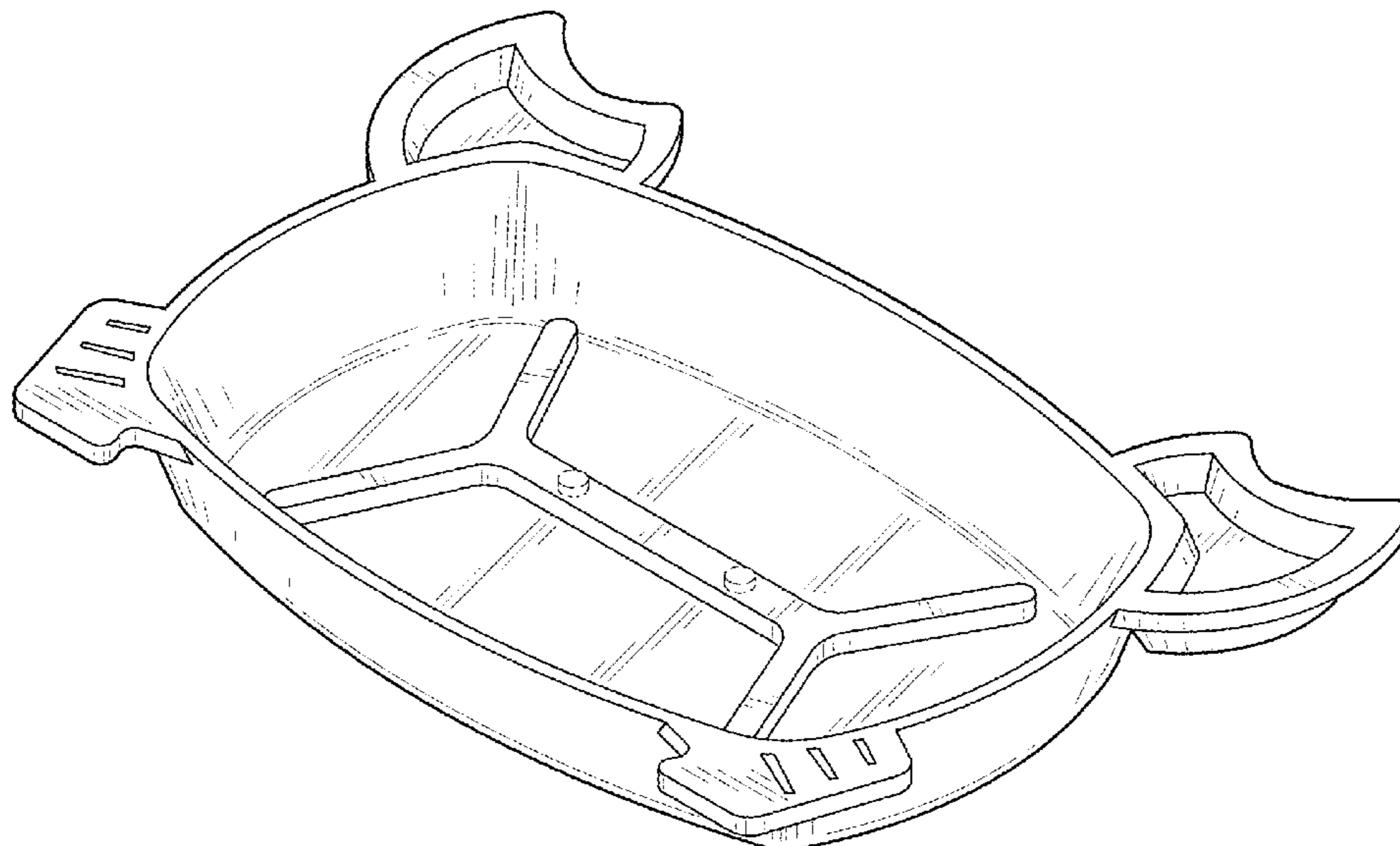
FIG. 1 is a perspective view of a plate showing my new design;
 FIG. 2 is a front elevational view thereof;
 FIG. 3 is a rear elevational view thereof;
 FIG. 4 is a left side elevational view thereof;
 FIG. 5 is a right side elevational view thereof;
 FIG. 6 is a top plan view thereof;
 FIG. 7 is a bottom plan view thereof; and,
 FIG. 8 is a perspective view of an embodiment.
 The broken lines in the drawings do not form part of the claimed design.

1 Claim, 8 Drawing Sheets

(56) **References Cited**

U.S. PATENT DOCUMENTS

D258,632 S *	3/1981	Commisso	D7/553.2
D355,333 S *	2/1995	Campbell	D7/553.2
D440,118 S *	4/2001	Claffy	D7/553.1
D468,589 S *	1/2003	Bulcher	B65D 1/36 D7/553.1
D480,922 S *	10/2003	Bulcher	D7/553.1



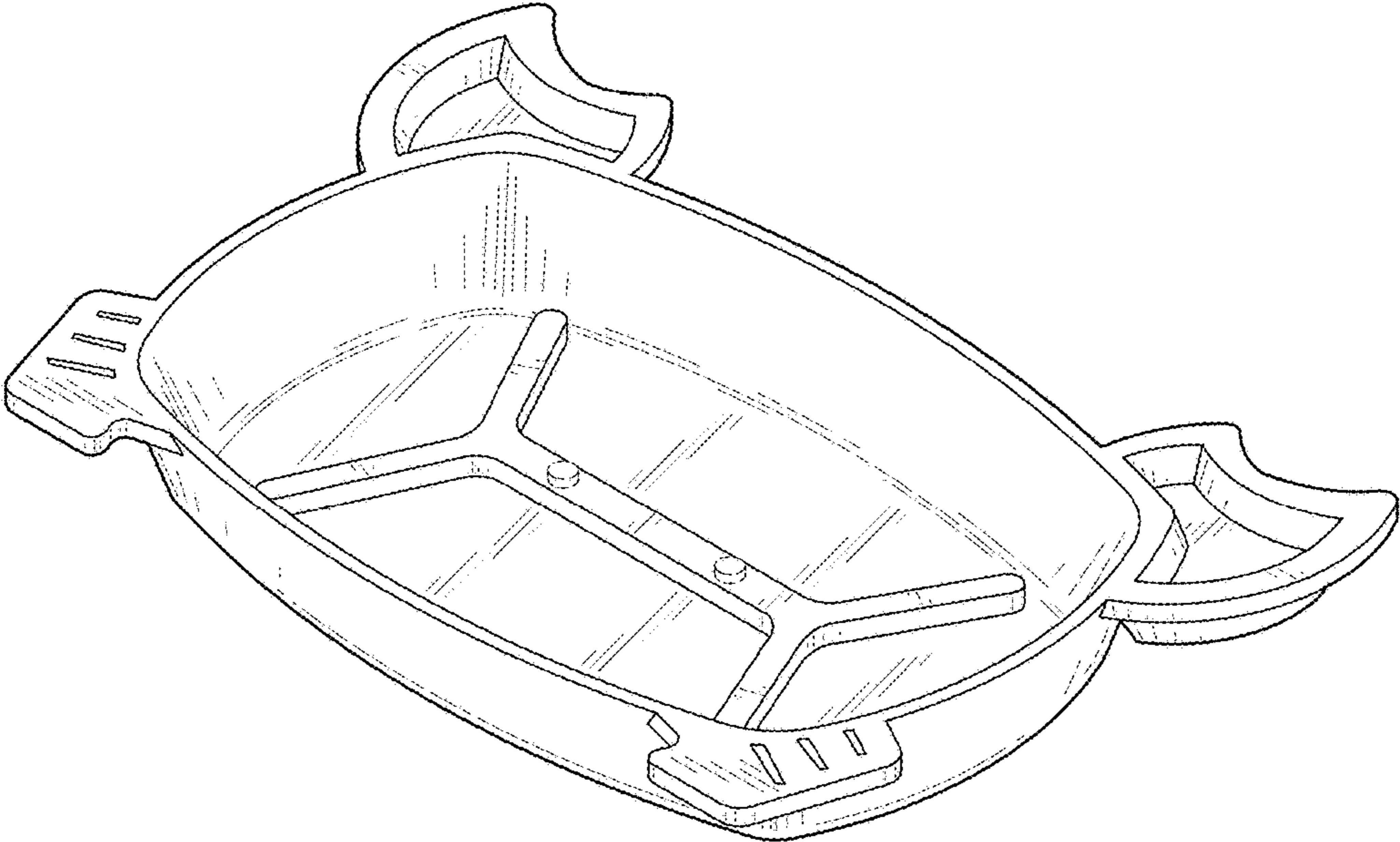


FIG. 1

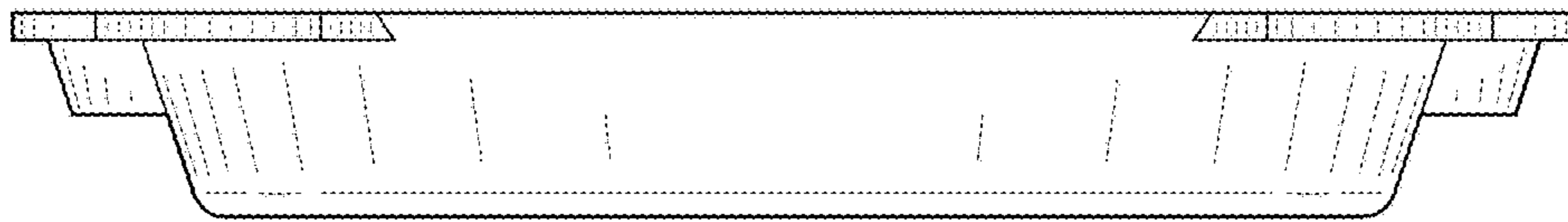


FIG. 2

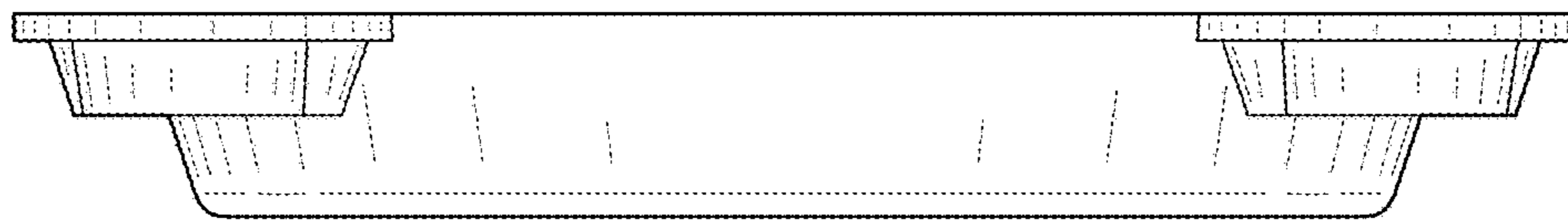


FIG. 3

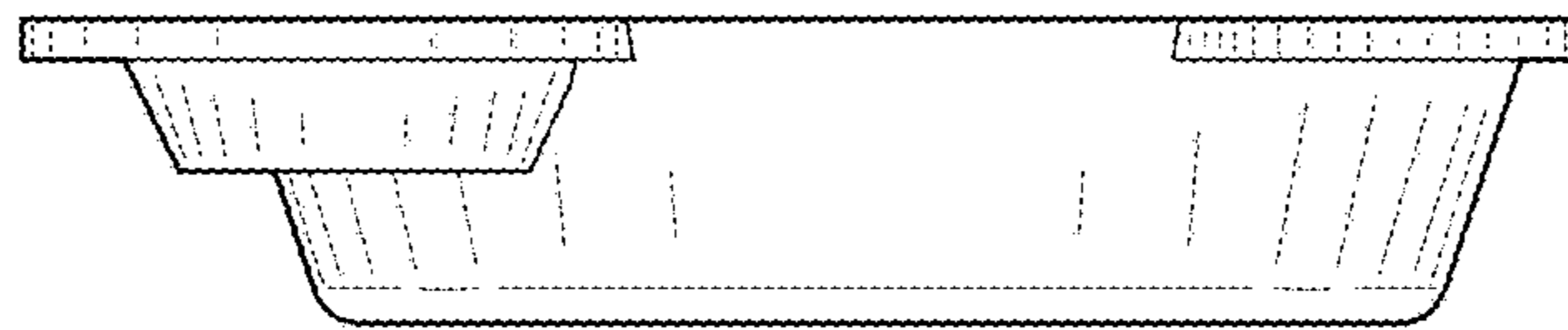


FIG. 4

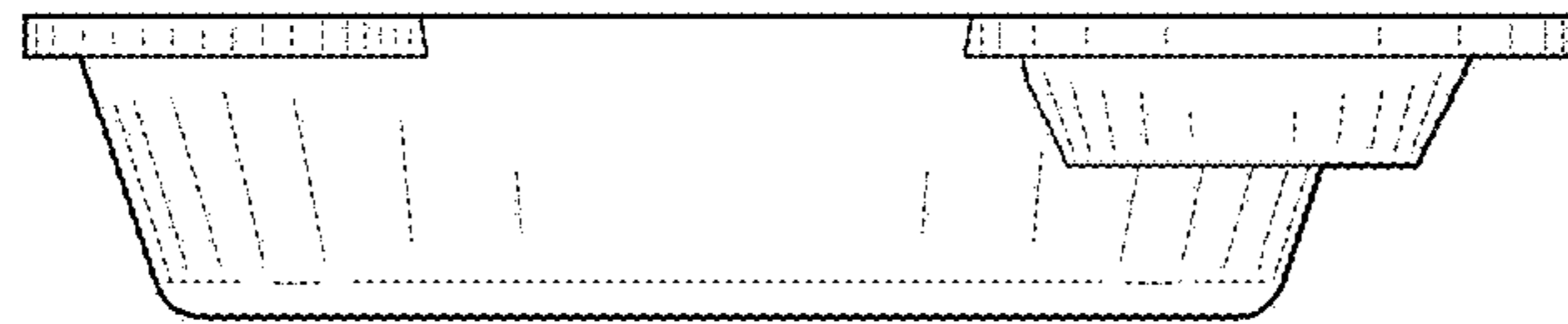


FIG. 5

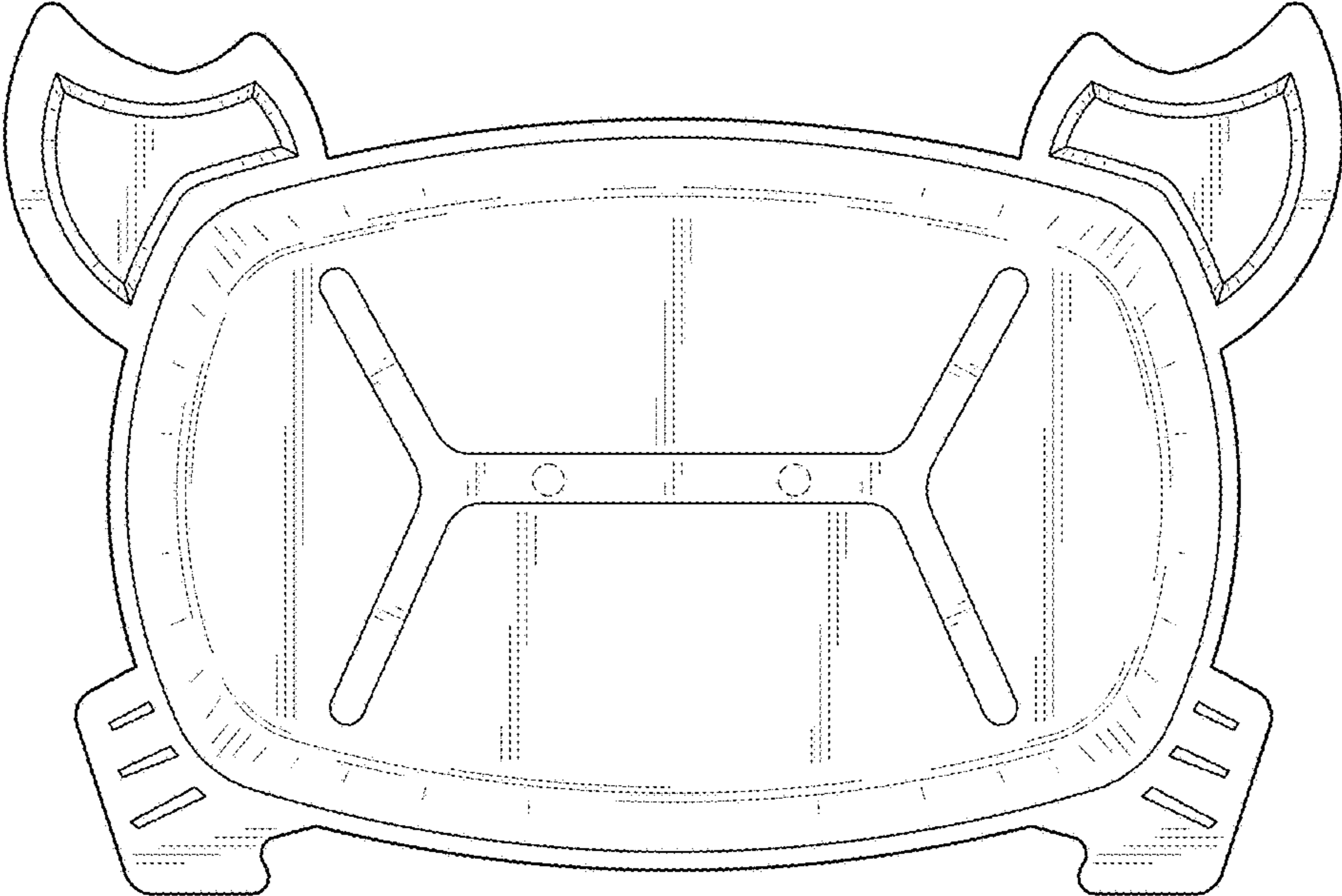


FIG. 6

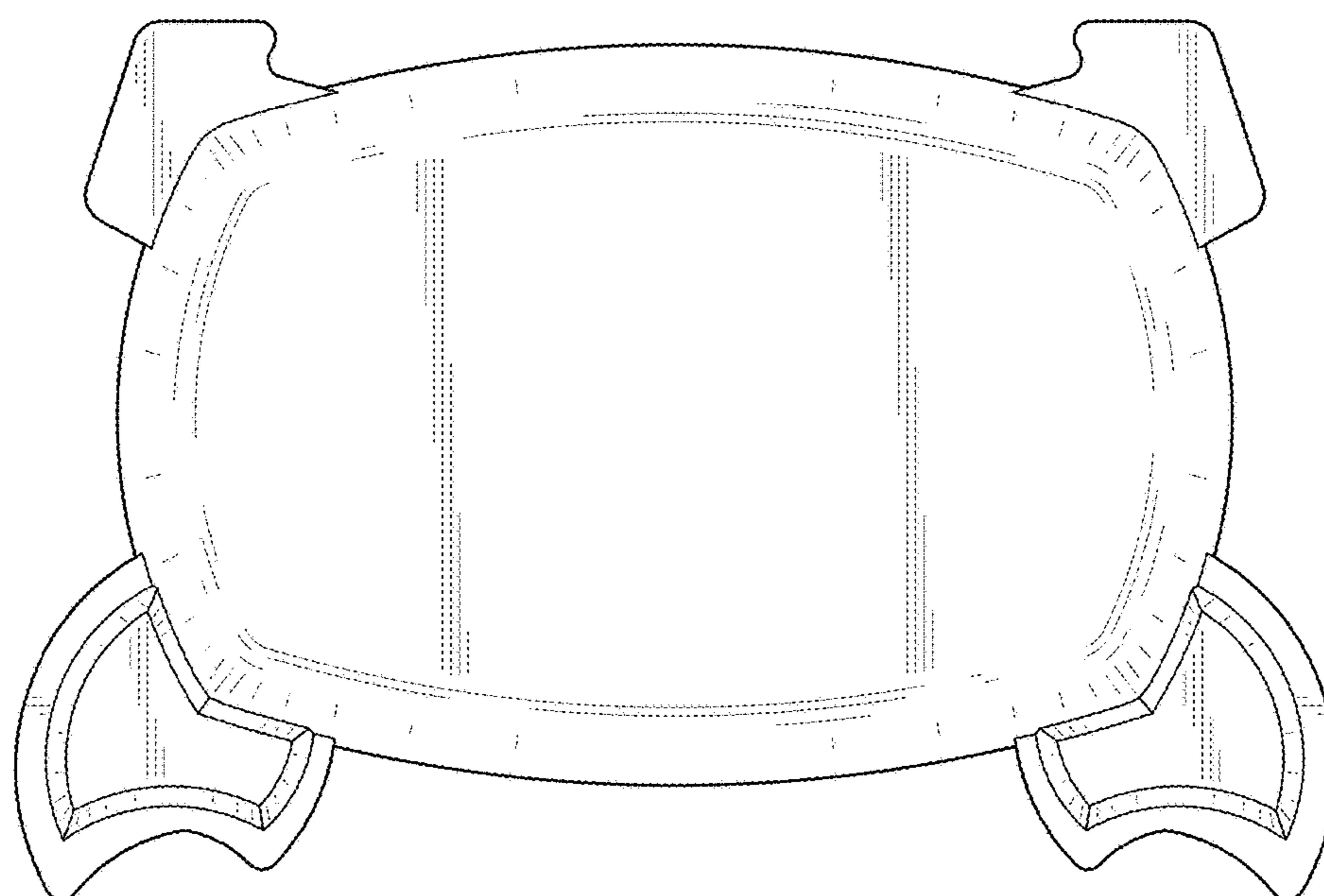


FIG. 7

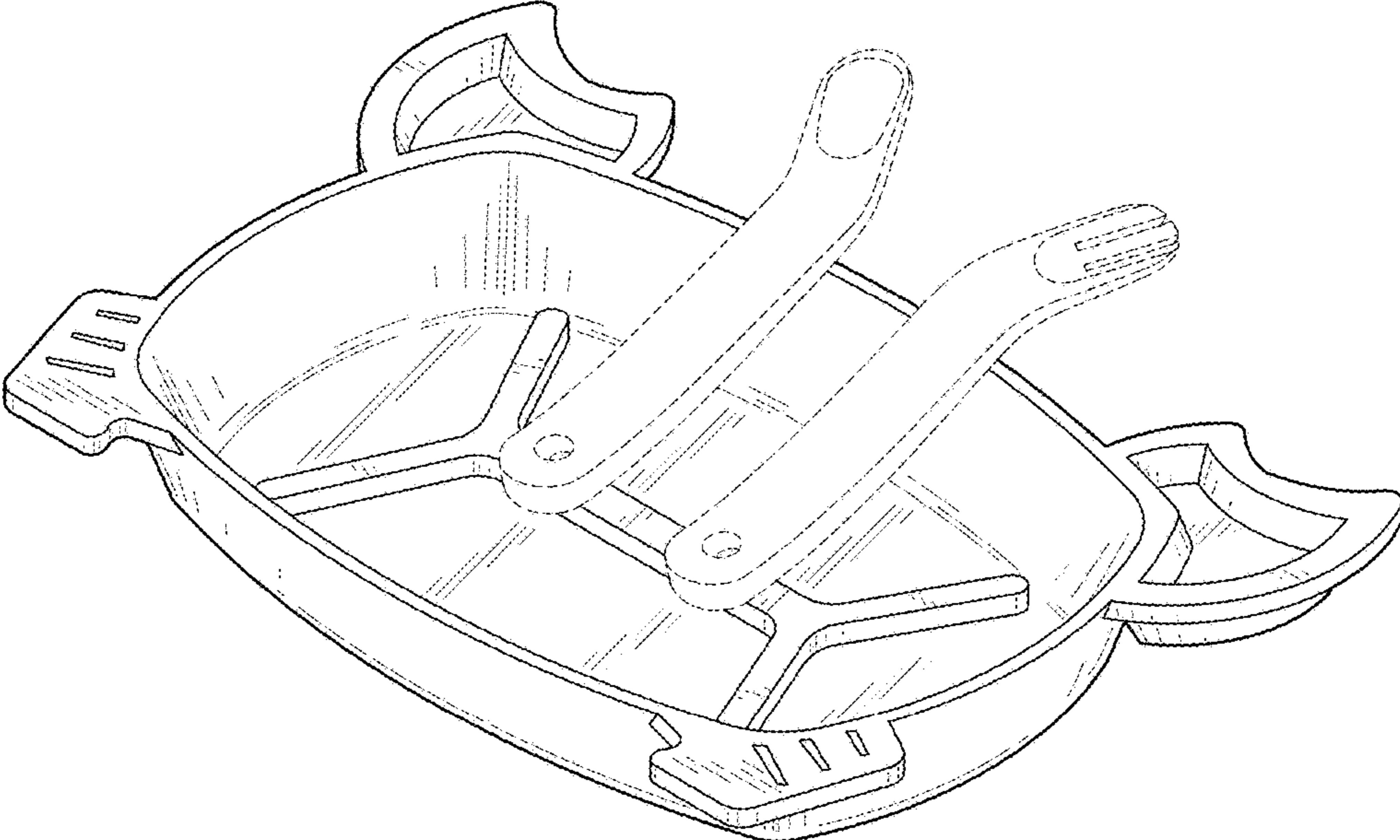


FIG. 8