



US00D853197S

(12) **United States Design Patent**  
**Kestenbaum et al.**

(10) **Patent No.:** **US D853,197 S**

(45) **Date of Patent:** **\*\* Jul. 9, 2019**

(54) **CONTAINER**

(71) Applicant: **SharkNinja Operating LLC**,  
Needham, MA (US)

(72) Inventors: **Daniel Kestenbaum**, Brookline, MA  
(US); **Devin Coakley**, Bellingham, MA  
(US)

(73) Assignee: **SHARKNINJA OPERATING LLC**,  
Needham, MA (US)

(\*\*) Term: **15 Years**

(21) Appl. No.: **29/643,583**

(22) Filed: **Apr. 10, 2018**

**Related U.S. Application Data**

(62) Division of application No. 29/532,027, filed on Jul.  
1, 2015, now Pat. No. Des. 817,101.

(51) **LOC (11) Cl.** ..... **07-01**

(52) **U.S. Cl.**  
USPC ..... **D7/536**

(58) **Field of Classification Search**  
USPC ..... D7/536, 509, 533, 537, 300.1, 548, 600,  
D7/602, 376, 381, 622; D9/716, 531  
CPC ..... B65D 85/8043; B65D 25/28; B65D 1/00;  
B65D 1/265; B67D 1/0801; A47G  
19/2288; A47G 19/2272; A47G 19/2266;  
A47G 19/22; A47G 19/2205; A47G  
19/2227

See application file for complete search history.

(56) **References Cited**

**U.S. PATENT DOCUMENTS**

2,587,237 A \* 2/1952 Sinaiko ..... A47G 19/22  
220/603  
3,135,118 A 6/1964 Zlobin  
3,456,864 A \* 7/1969 Trombley ..... A47G 23/0216  
229/402

3,827,925 A \* 8/1974 Douglas ..... A47J 41/0077  
156/73.1

4,130,215 A \* 12/1978 Corey ..... A47G 19/2205  
220/719

D319,557 S \* 9/1991 Unger ..... D7/536  
D356,234 S 3/1995 Wolfenden

(Continued)

**FOREIGN PATENT DOCUMENTS**

EM 0015602770001 7/2009  
JP D1348258 S 1/2009

(Continued)

**OTHER PUBLICATIONS**

Ninja Coffee Bar Makes Great Coffee at Home, posted Jan. 19, 2016  
[online], retrieved Sep. 26, 2018, retrieved from internet, <<http://mommyperfect.com/2016/01/ninja-coffee-bar-makes-great-coffee-at-home/>>.\*

(Continued)

*Primary Examiner* — Barbara Fox

*Assistant Examiner* — Messina L Smith

(74) *Attorney, Agent, or Firm* — Cantor Colburn LLP

(57) **CLAIM**

The ornamental design for a container, as shown and  
described.

**DESCRIPTION**

FIG. 1 is a perspective view of a container showing our new  
design;

FIG. 2 is a front elevational view thereof;

FIG. 3 is a rear elevational view thereof;

FIG. 4 is a left side elevational view thereof;

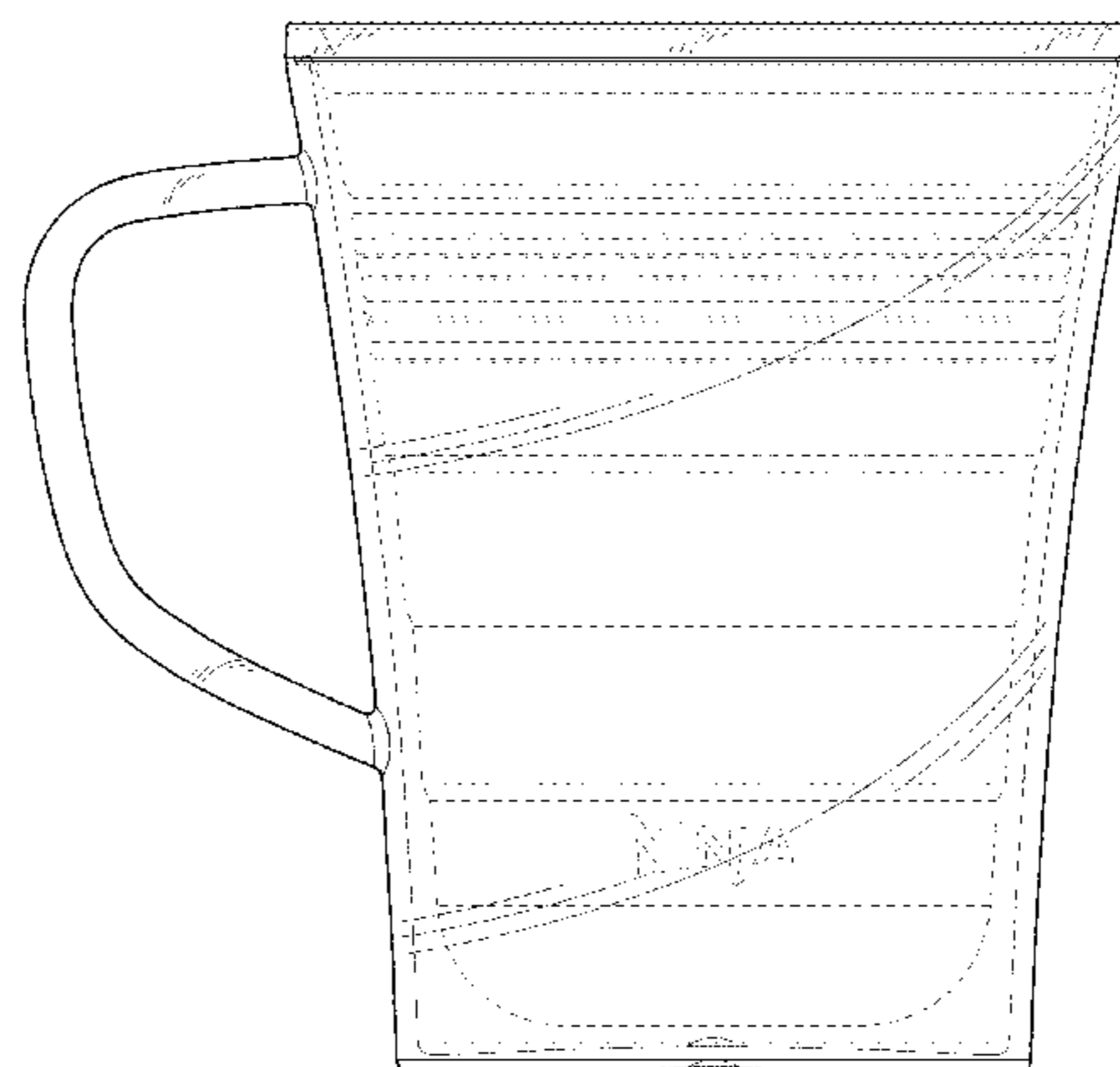
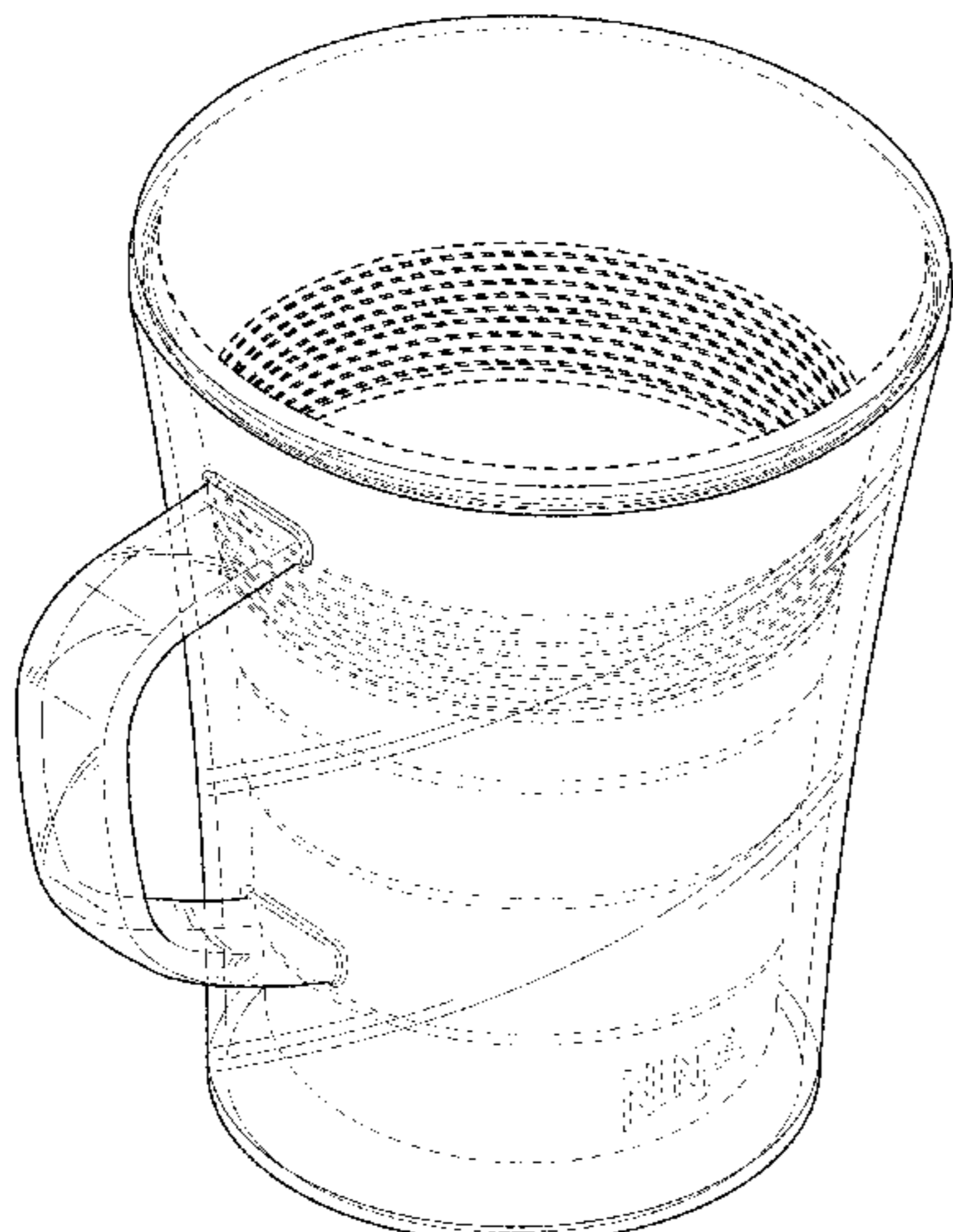
FIG. 5 is a right side elevational view thereof;

FIG. 6 is a top plan view thereof; and,

FIG. 7 is a bottom plan view thereof.

The broken lines in the drawings depict portions of the  
container that form no part of the claimed design.

**1 Claim, 7 Drawing Sheets**



(56)

References Cited

U.S. PATENT DOCUMENTS

5,988,419 A \* 11/1999 St John ..... A47J 45/067  
 215/396  
 D499,609 S \* 12/2004 Bodum ..... D7/533  
 D549,523 S \* 8/2007 Montes ..... D7/509  
 D552,932 S 10/2007 Carlson  
 D553,442 S 10/2007 Bodum  
 D568,103 S 5/2008 Bodum  
 D575,987 S 9/2008 Williams  
 D623,897 S 9/2010 Ross  
 D635,401 S \* 4/2011 DelVecchio ..... D7/530  
 D675,875 S 2/2013 Miller  
 D703,490 S 4/2014 Maire  
 D707,373 S 6/2014 Nugent  
 D713,201 S 9/2014 Rees et al.  
 D721,251 S \* 1/2015 Stamper ..... D7/533  
 D730,696 S \* 6/2015 Nemeth ..... D7/523  
 D744,287 S 12/2015 Bodum  
 D747,626 S 1/2016 Morris, II et al.  
 D748,944 S 2/2016 Ross  
 D756,709 S 5/2016 Weitman  
 D756,712 S \* 5/2016 Kushner ..... D7/532  
 D787,270 S \* 5/2017 Mishan ..... D7/536  
 D814,243 S \* 4/2018 Pape ..... D7/536  
 D827,381 S \* 9/2018 Boroski ..... D7/536  
 2008/0011710 A1 1/2008 Cohn

FOREIGN PATENT DOCUMENTS

JP D1561129 S 10/2016  
 JP D1561131 S 10/2016  
 JP D1561224 S 10/2016

OTHER PUBLICATIONS

Bolio Insulated Glass Coffee Mug—Black, no date given [online],  
 retrieved Sep. 26, 2018, retrieved from internet, <[https://www.boliodesigns.com/index.php?route=product/product&product\\_id=61](https://www.boliodesigns.com/index.php?route=product/product&product_id=61)>.\*  
 Moderno Coffee Mug, posted 2017 [online], retrieved Sep. 26,  
 2018, retrieved from internet, <<https://www.crateandbarrel.com/tempo-clear-glass-coffee-mug/s674778>>.\*  
 3M Innovative Properties Company; JPO Publicly Known Design  
 No. HJ26044095; Disclosed in JP Design Application No. 2016-  
 000027 Notice of References dated Aug. 19, 2016; 2 Pages.

Amazon.com—Trudeau Tea Mendous Tea Tumbler, Clear, 16-Ounce;  
 JPO Publicly Known Design No. HJ24053267; Disclosed in JP  
 Design Application No. 2016-000029 Notification of Reasons for  
 Rejection dated Oct. 14, 2016; 6 Pages.  
 Glass Mug, Vista Glass Mug 11 oz, posted at Martiniincentives.  
 com, posted on Aug. 6, 2013, site visited Nov. 2, 2016, <<http://martiniincentives.com/vista-glass-mug-11-oz/>>.  
 Insulated Glass Mug, Bodum Bistro Double-Wall Insulated Glass  
 Coffee Mugs, posted at Singleservecoffee.com, posted on Dec. 26,  
 2007, <<http://www.singleservecoffee.com/archives/015611.php>>.  
 Insulated Glass Mug, Double walled insulated glasses, posted at  
 Goodlifetea.com, no posting date given, (C) 2016, site visited Nov. 2,  
 2016, <<https://www.goodlifetea.com/collections/glass-tea-ware/products/double-walled-insulated-tea-cup-5-and-10-ounces>>.  
 Kawajun Co., Ltd.—Nucri Heat Resistant Mug Cup and Caucer;  
 JPO Publicly Known Design No. M22020653; Disclosed in JP  
 Design Application No. 2016-000026 Notification of Reasons for  
 Rejection dated Oct. 14, 2016; 3 Pages.  
 K's Factory Mugs—Helping to Make Shop Goods, Novelty, and  
 Sales Promotion Tools; JPO Publicly Known Design No. HC15045357;  
 Disclosed in JP Design Application No. 2016-000026 Notification  
 of Reasons for Rejection Dated Oct. 14, 2016; 5 Pages.  
 Ninja Glass Mug, Ninja 12 oz. Insulated Mug (CF12MUG), posted  
 at Amazon.com, posted on Aug. 17, 2015, site visited Nov. 2, 2016,  
 <<https://www.amazon.com/Ninja-oz-Insulated-Mug-CF12MUG/dp/B0152VPBN2>>.  
 Ninja Glass Mug, Ninja(R) 12 oz. Insulated Mug, posted at Ninjakitchen.  
 com, no posting date given, (C) 2016, site visited Nov. 2, 2016,  
 <<http://www.ninjakitchen.com/parts/0/a11/289/ninja-12-oz-insulated-mug/>>.  
 Ninja Glass Mug, Ninja-12-Oz. Mug—Clear, posted at Ebay.com,  
 posted on Aug. 20, 2016, site visited Nov. 2, 2016, ([http://www.ebay.com/itm/Ninja-12-Oz-Mug-Clear/322234886149?\\_trksid=p2141725.m3641.l6368](http://www.ebay.com/itm/Ninja-12-Oz-Mug-Clear/322234886149?_trksid=p2141725.m3641.l6368))>.  
 Notice of References; Japanese Application No. 2016-000027;  
 dated Aug. 19, 2016; 4 Pages.  
 Notice of References; Japanese Application No. 2016-000031;  
 dated Aug. 19, 2016; 4 Pages.  
 Notification of Reasons for Rejection; Japanese Application No.  
 2016-000026; dated Oct. 14, 2016; 7 Pages.  
 Notification of Reasons for Rejection; Japanese Application No.  
 2016-000029; dated Oct. 14, 2016; 4 Pages.  
 Office Action; Korean Application No. 30-2015-0066726; dated  
 Apr. 29, 2016; 4 Pages.

\* cited by examiner

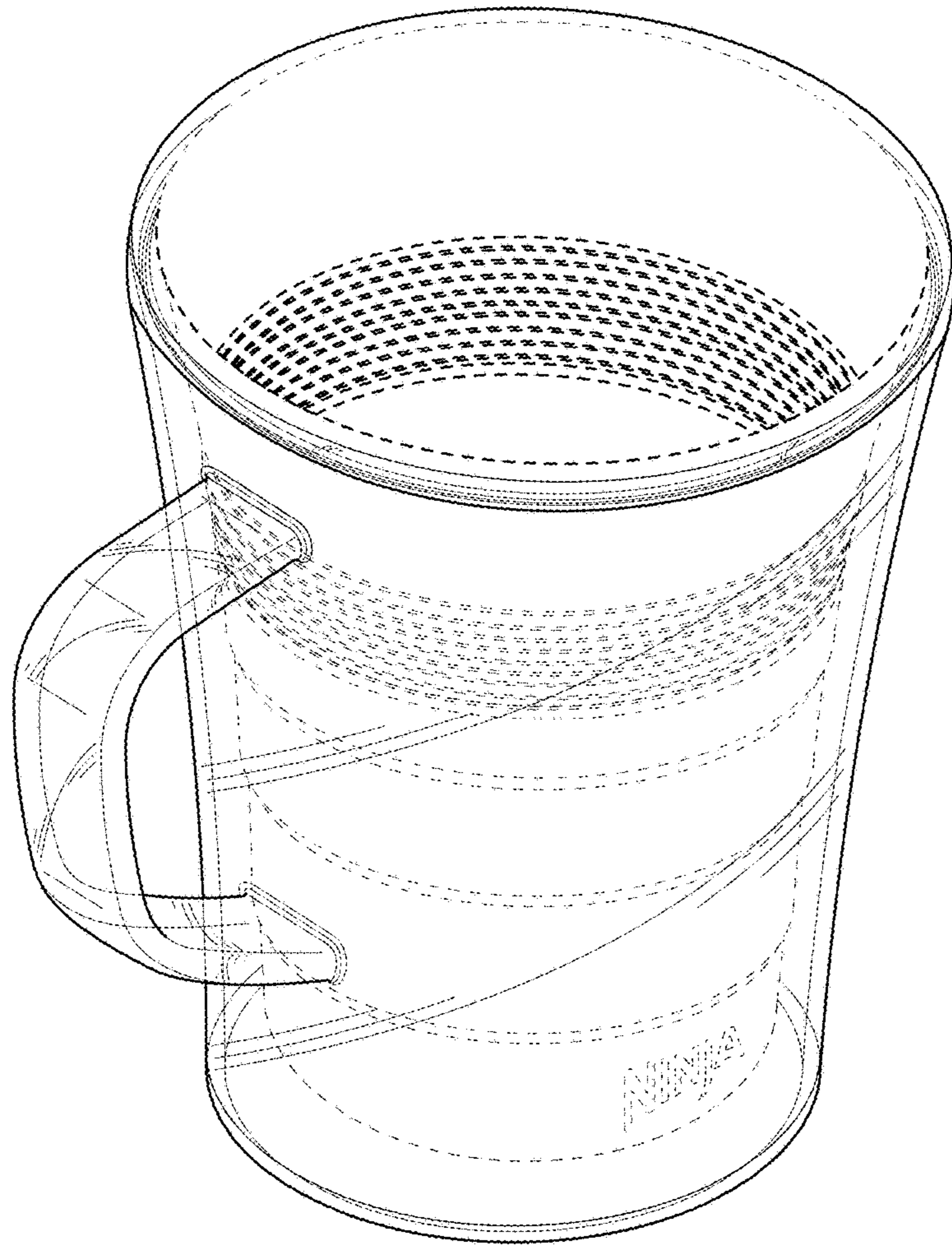


FIG. 1

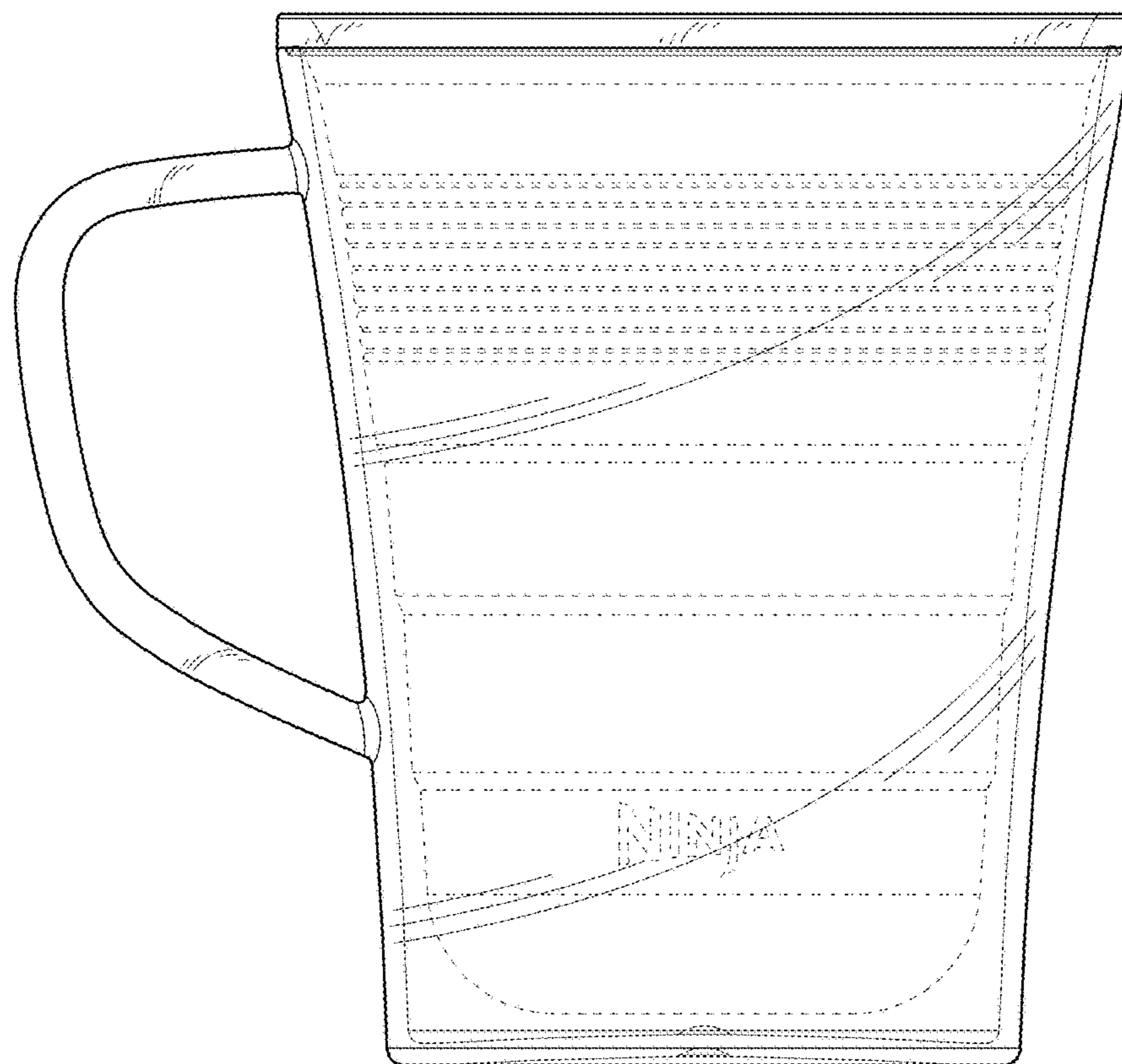


FIG. 2

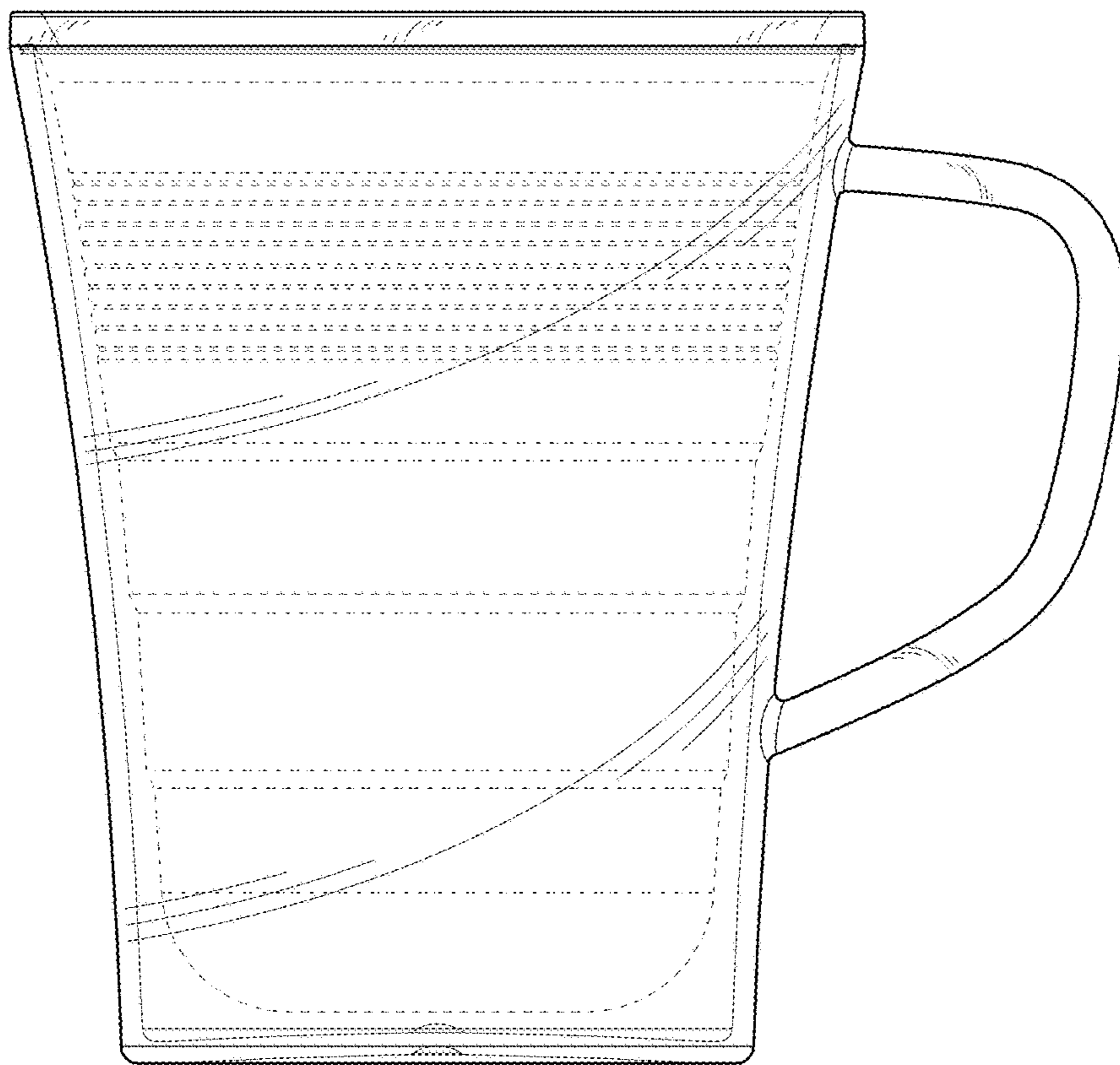


FIG. 3

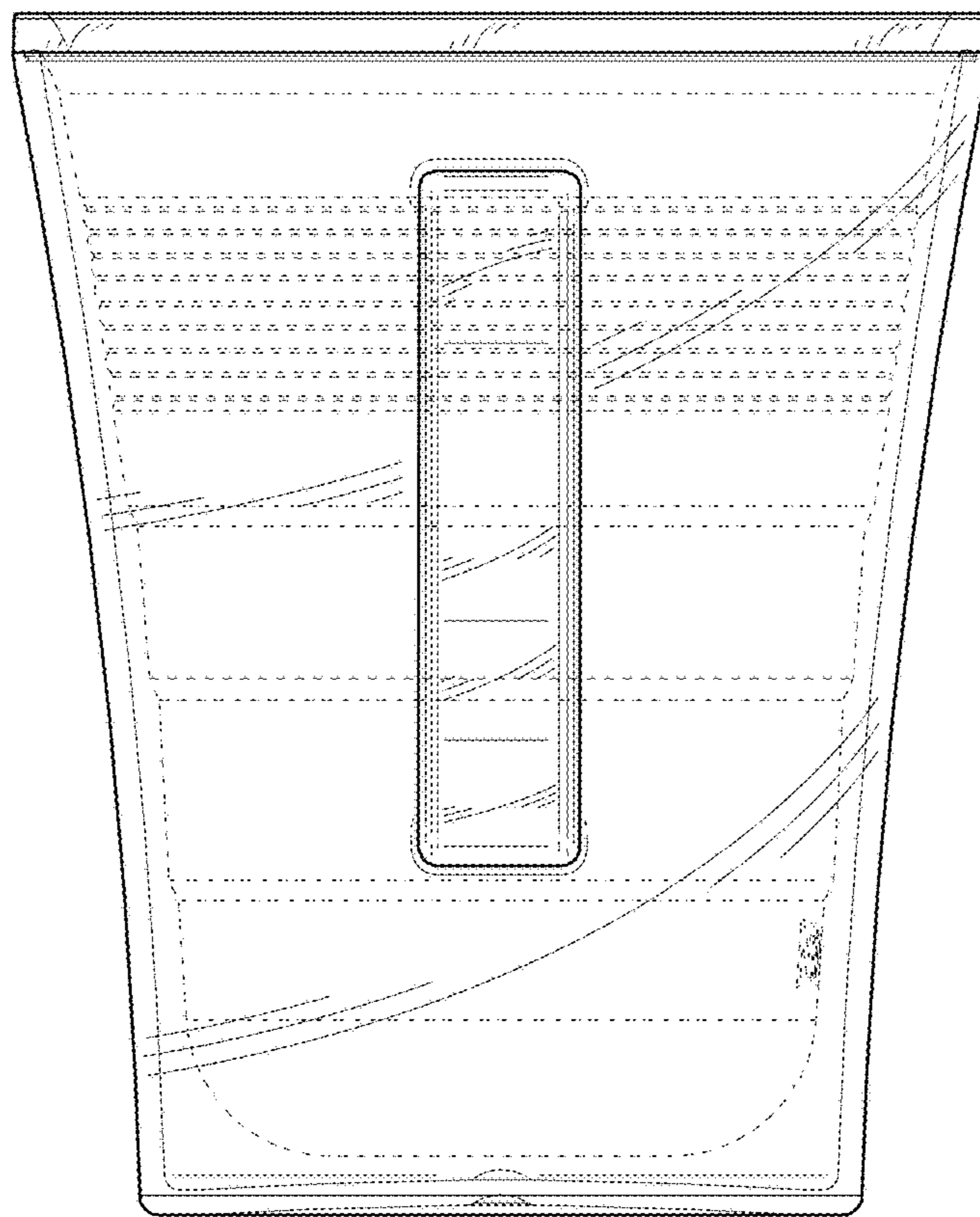


FIG. 4

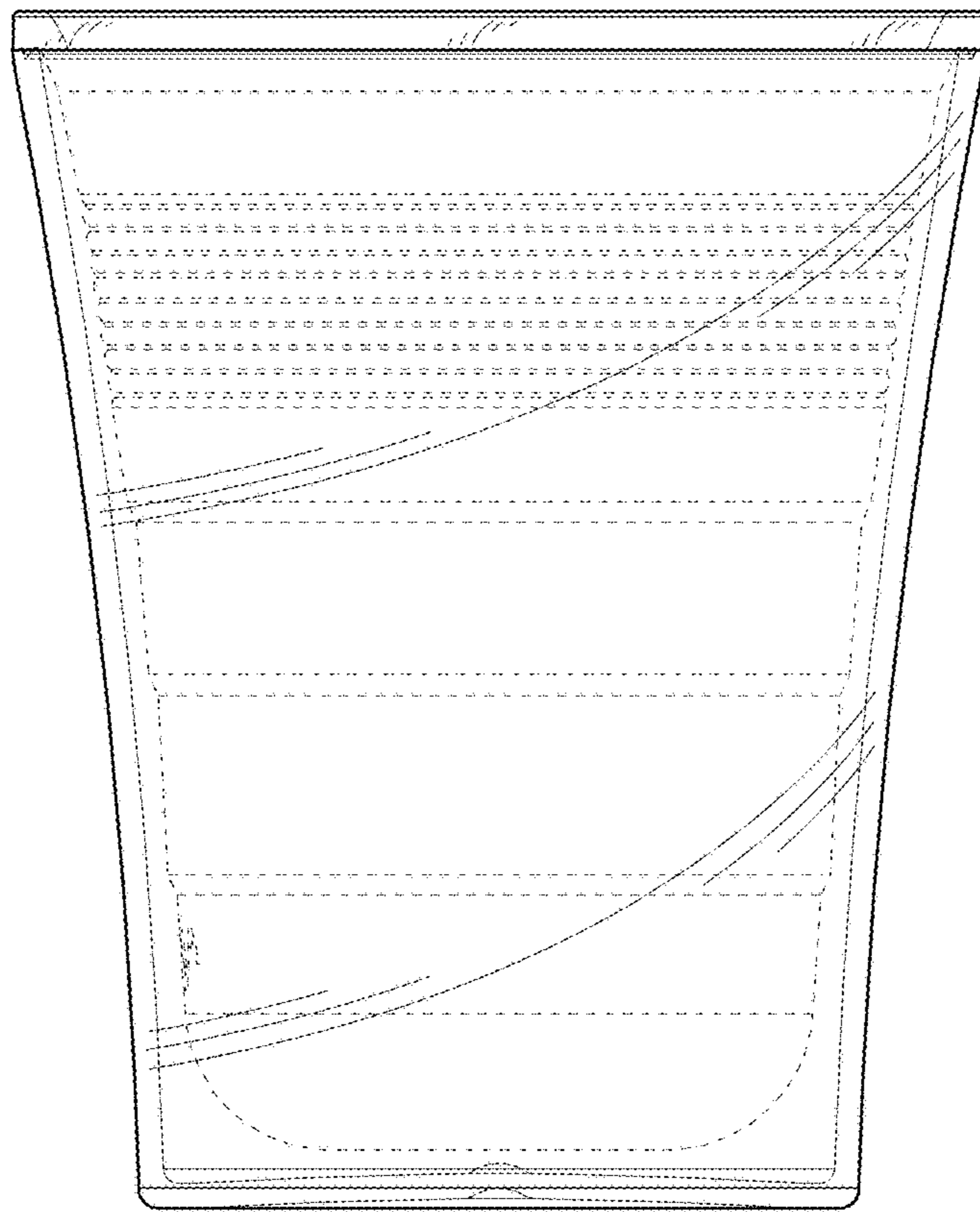


FIG. 5

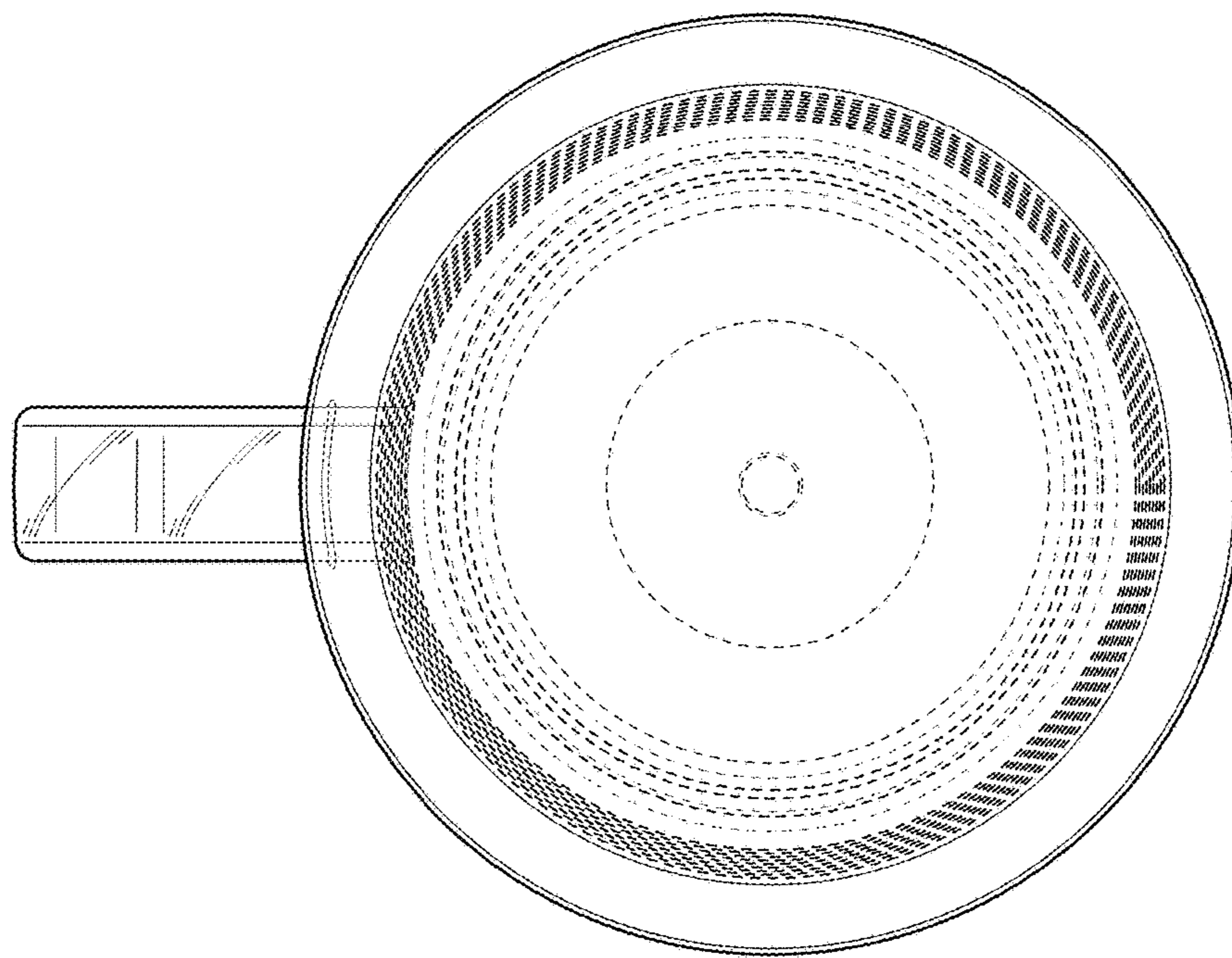


FIG. 6



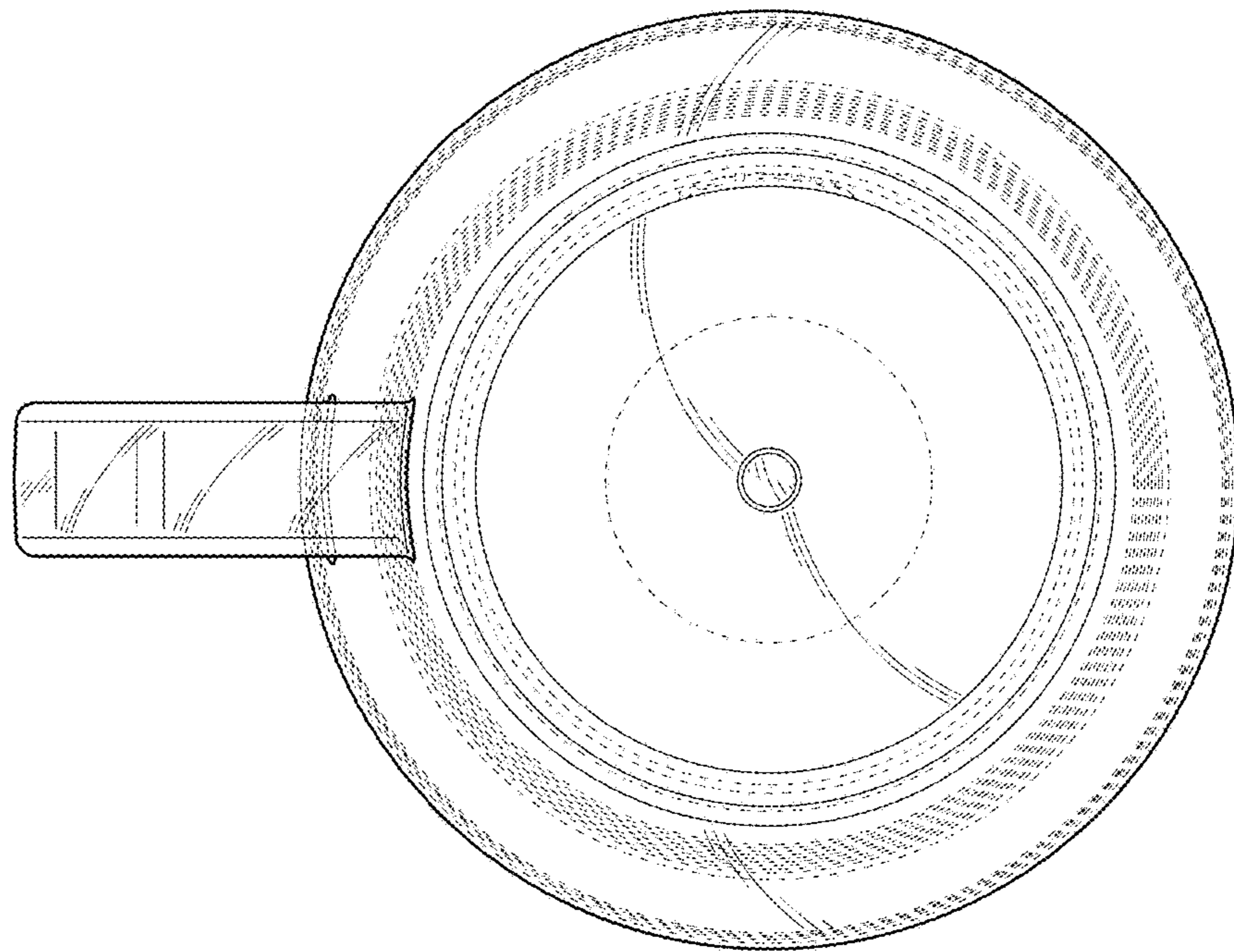


FIG. 7