



US00D853195S

(12) **United States Design Patent**  
**Chen**

(10) **Patent No.:** **US D853,195 S**

(45) **Date of Patent:** **\*\* Jul. 9, 2019**

(54) **WATER KETTLE**

(71) Applicant: **Chia-Chen Chen**, Taoyuan (TW)

(72) Inventor: **Chia-Chen Chen**, Taoyuan (TW)

(73) Assignee: **Chia-Chen Chen**, Taoyuan (TW)

(\*\*) Term: **15 Years**

(21) Appl. No.: **29/633,128**

(22) Filed: **Jan. 12, 2018**

(51) **LOC (11) Cl.** ..... **07-01**

(52) **U.S. Cl.**  
USPC ..... **D7/511**; D9/516

(58) **Field of Classification Search**  
USPC ..... D7/510, 511, 608, 300.1, 591, 392.1,  
D7/396.2, 529, 533-536; D9/516, 523,  
D9/525, 527, 528  
CPC ..... A47G 19/22; A47G 19/2205; A47G  
19/2222; A45F 3/16; B65D 41/04; B65D  
43/02; B65D 47/066; B65D 47/08  
See application file for complete search history.

(56) **References Cited**

**U.S. PATENT DOCUMENTS**

- D730,694 S \* 6/2015 Elsadon ..... D7/511
- D802,366 S \* 11/2017 Cerasani ..... D7/510
- D808,711 S \* 1/2018 Joseph ..... D7/392.1
- D810,502 S \* 2/2018 Joseph ..... D7/392.1
- D812,966 S \* 3/2018 Murosky ..... D7/392.1
- D816,411 S \* 5/2018 Stover ..... D7/510

- D818,317 S \* 5/2018 Fu ..... D7/510
- 2006/0226110 A1\* 10/2006 Choi ..... A47G 19/2266  
215/228
- 2015/0173539 A1\* 6/2015 Mason ..... A47G 19/2272  
220/707
- 2017/0188731 A1\* 7/2017 Schuller ..... A47G 23/16

\* cited by examiner

*Primary Examiner* — Derrick E Holland

*Assistant Examiner* — Andrew Kerr

(74) *Attorney, Agent, or Firm* — Amin, Turocy & Watson  
LLP

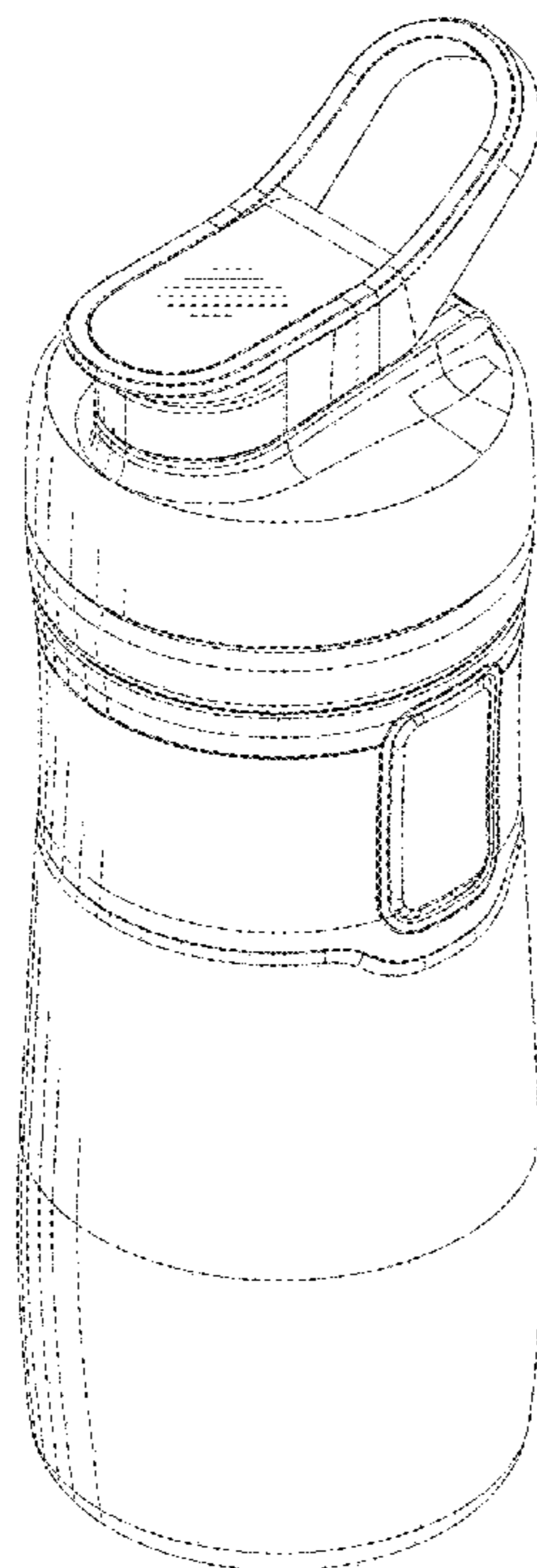
(57) **CLAIM**

The ornamental design for a water kettle, as shown and described.

**DESCRIPTION**

FIG. 1 is a perspective view of a water kettle according to the claimed design;  
 FIG. 2 is a front view thereof;  
 FIG. 3 is a rear view thereof;  
 FIG. 4 is a left side view thereof;  
 FIG. 5 is a right side view thereof;  
 FIG. 6 is a top view thereof;  
 FIG. 7 is a bottom view thereof; and,  
 FIG. 8 is another perspective view of the water kettle according to the claimed design.  
 The broken lines showing portions of the water kettle are for the purpose of illustrating environmental structure only and forms no part of the claimed design.

**1 Claim, 8 Drawing Sheets**



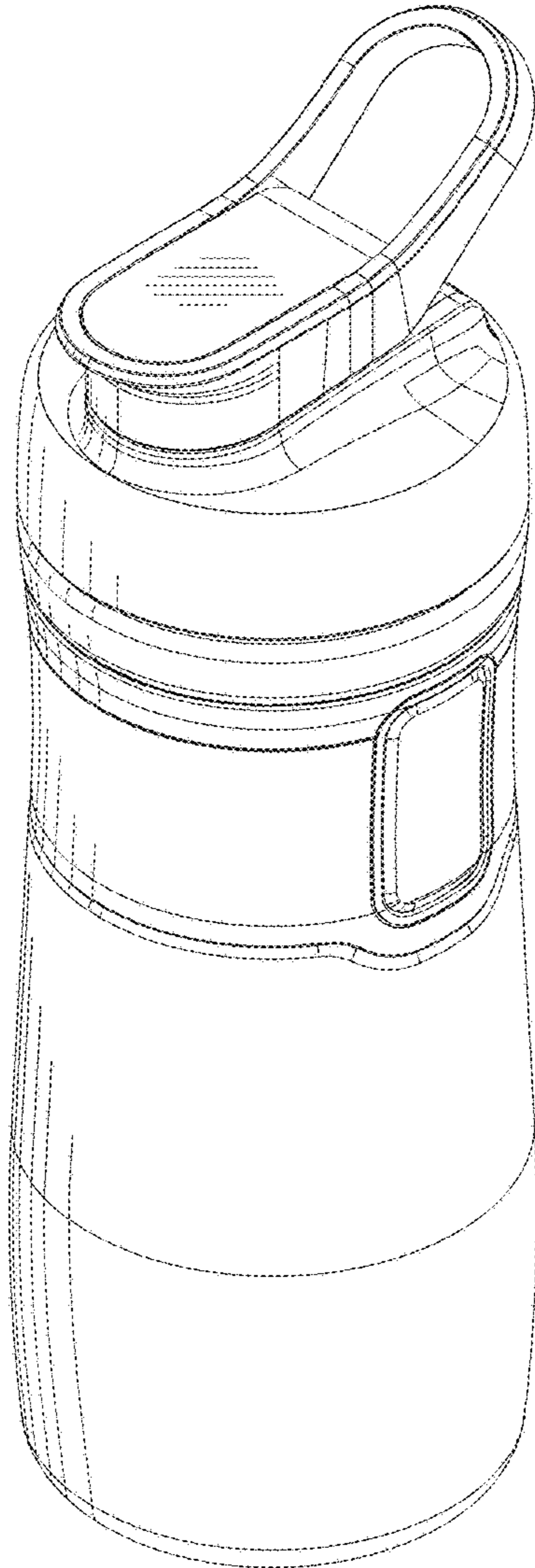


FIG.1

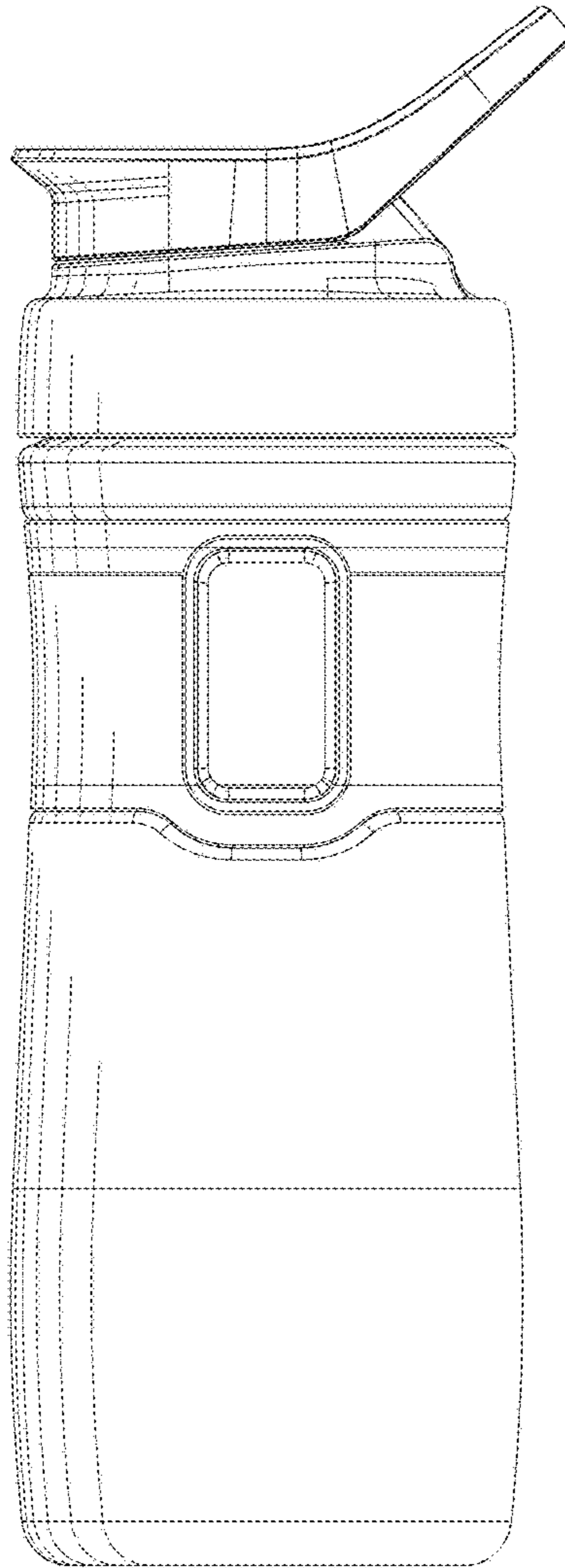


FIG.2

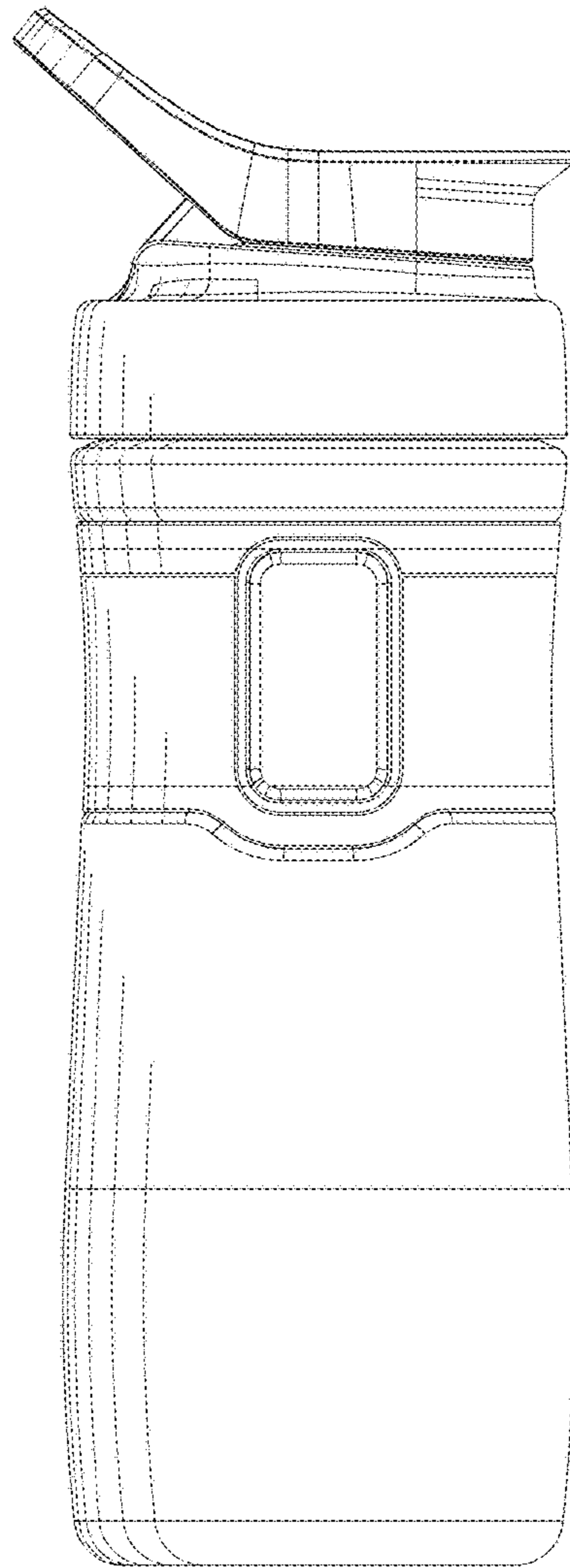


FIG.3

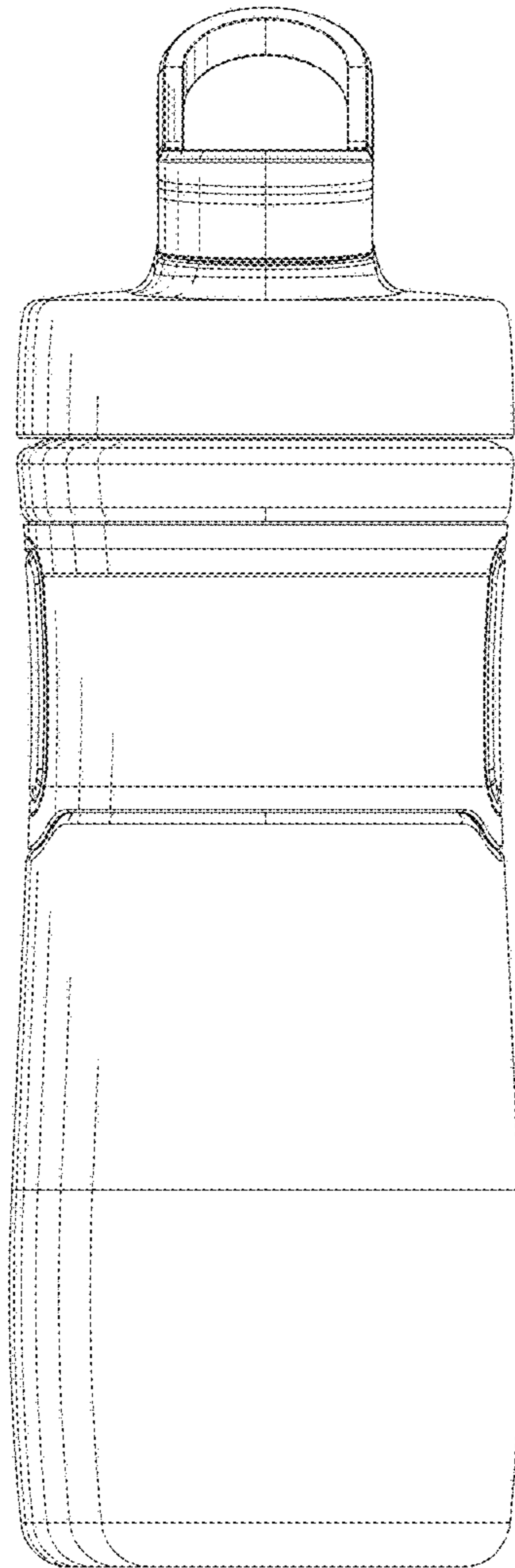


FIG. 4

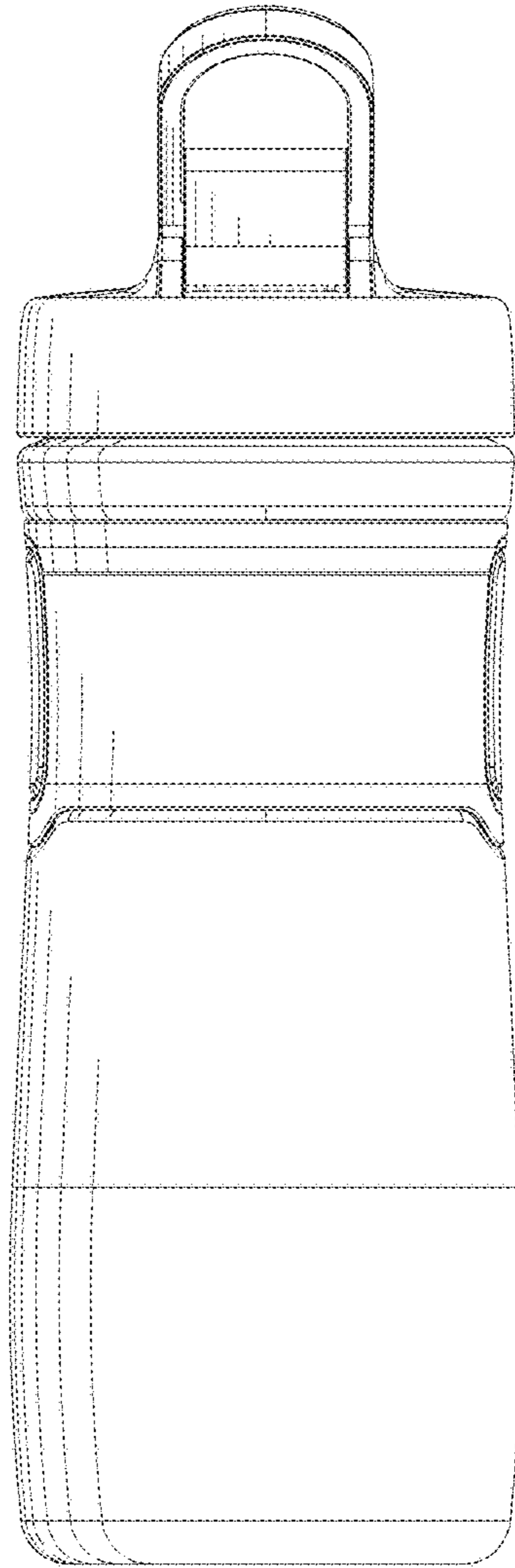


FIG. 5

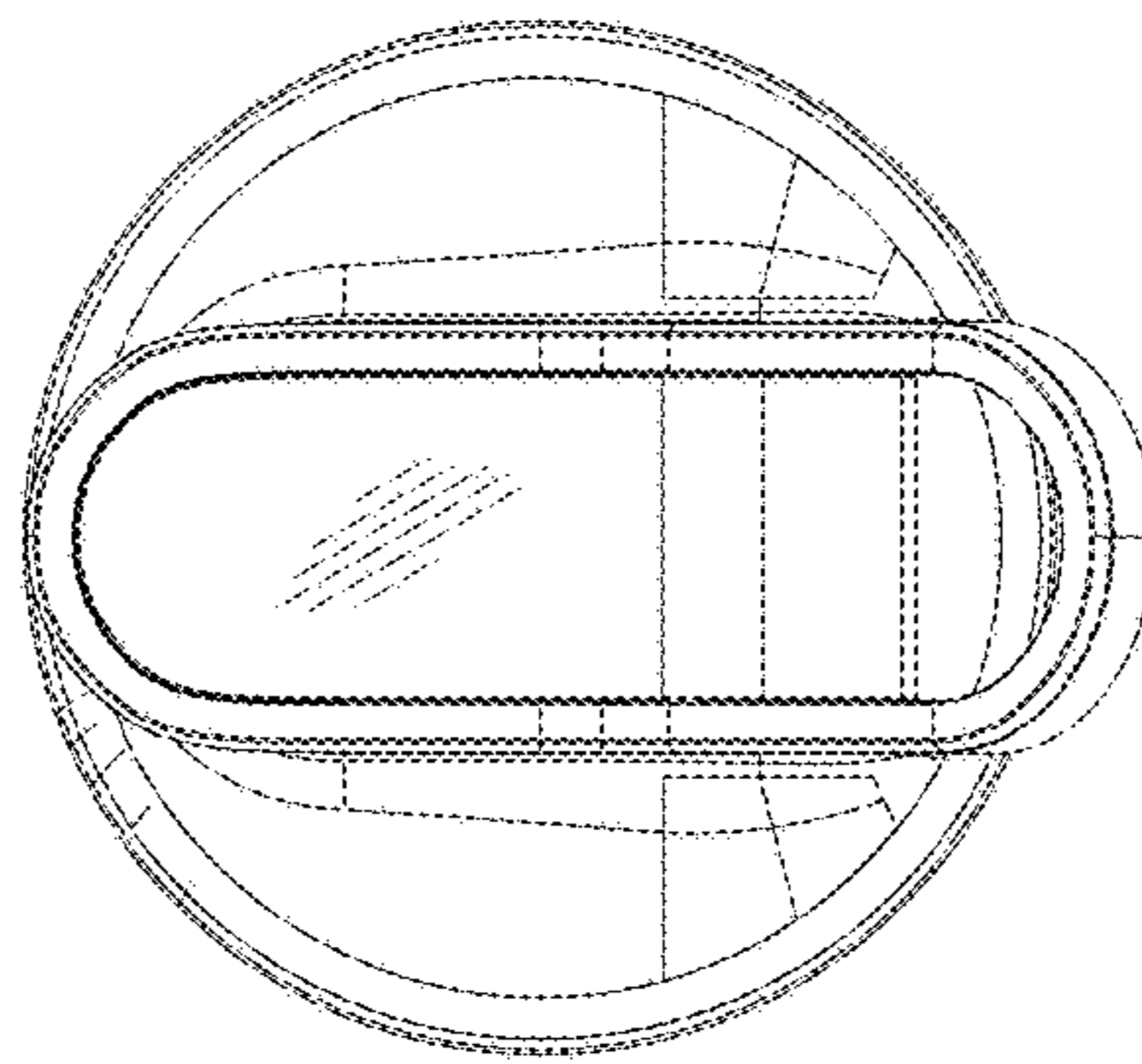


FIG.6

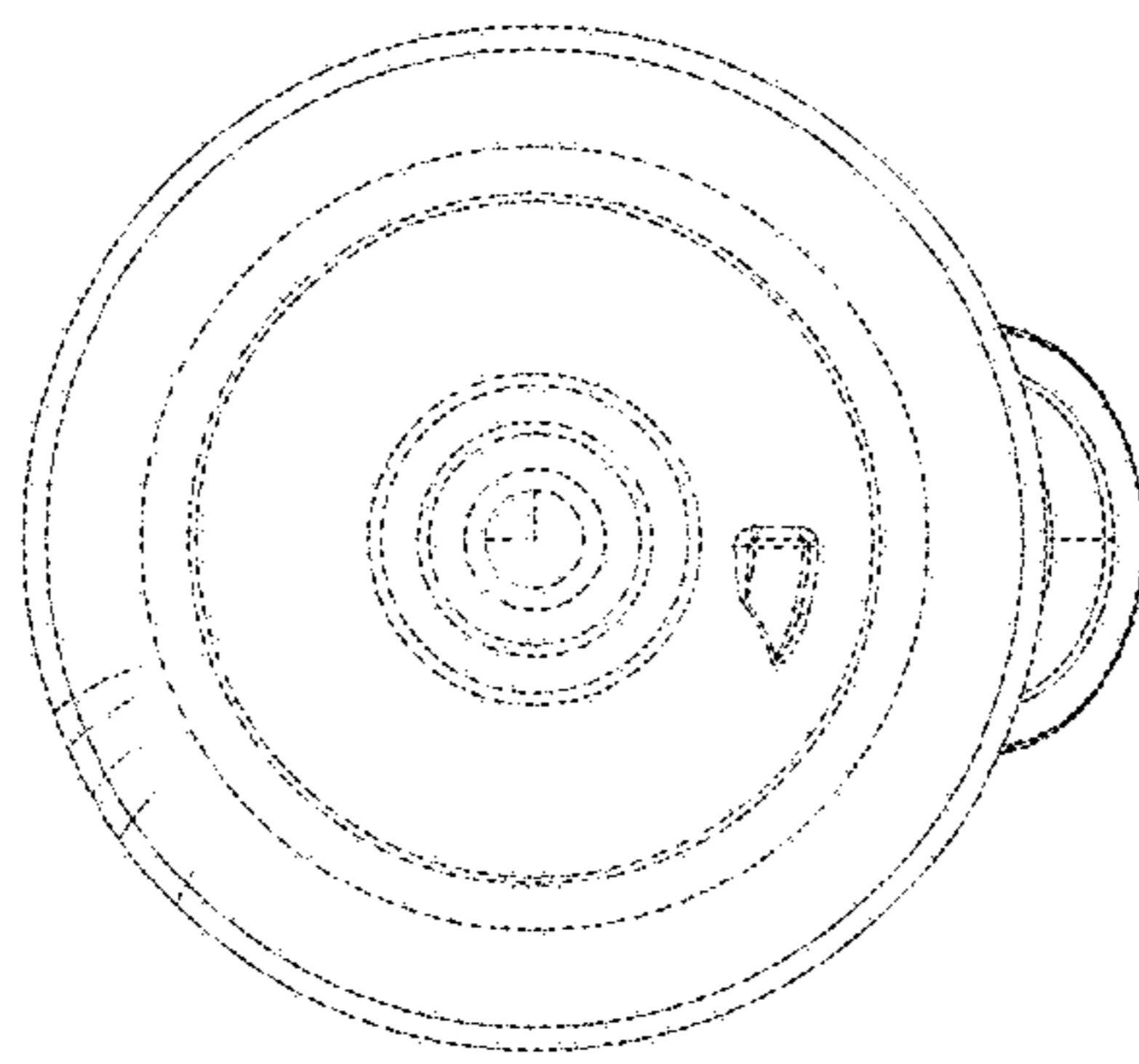


FIG. 7



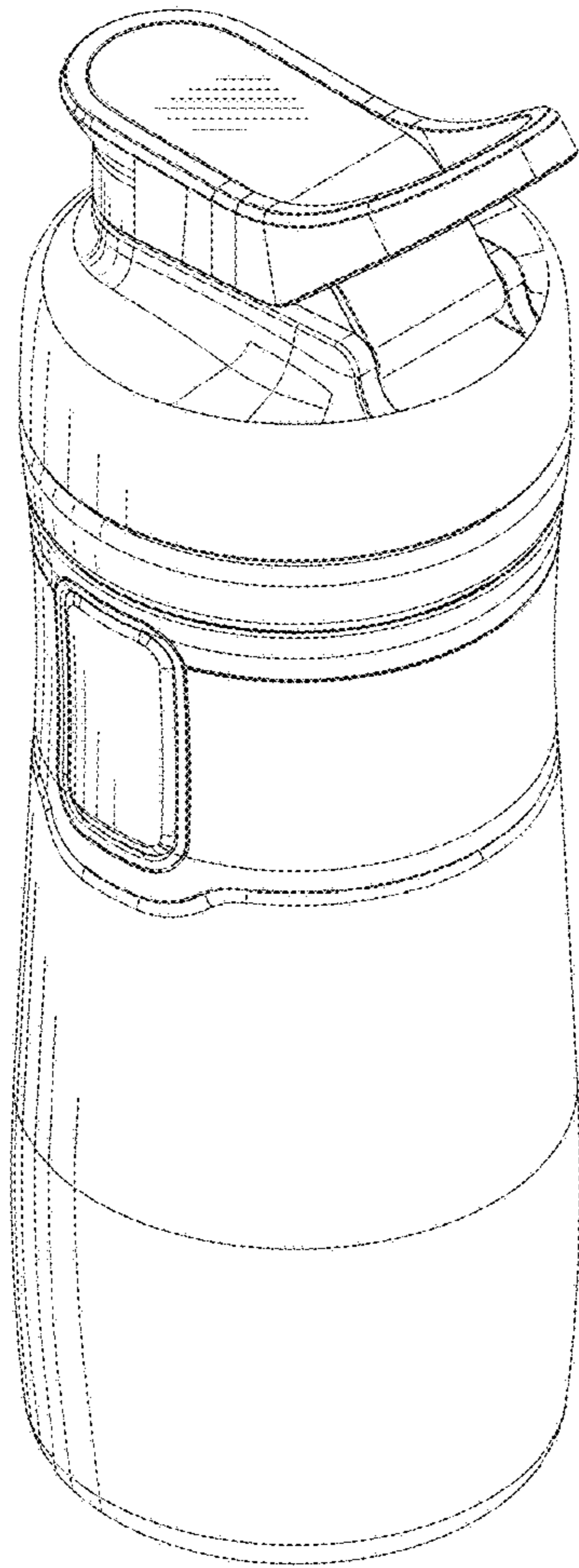


FIG.8