



US00D853194S

(12) **United States Design Patent**
Ke

(10) **Patent No.:** **US D853,194 S**
(45) **Date of Patent:** **** Jul. 9, 2019**

(54) **WATER BOTTLE**

(71) Applicant: **Seikilife (Shanghai) Housewares Co., Ltd.**, Shanghai (CN)

(72) Inventor: **David Ke**, Shanghai (CN)

(73) Assignee: **Seikilife (Shanghai) Housewares Co., Ltd.**, Shanghai (CN)

(**) Term: **15 Years**

(21) Appl. No.: **29/600,725**

(22) Filed: **Apr. 14, 2017**

(30) **Foreign Application Priority Data**

Mar. 6, 2017 (CN) 2017 3 0061005

(51) **LOC (11) Cl.** **07-01**

(52) **U.S. Cl.**
USPC **D7/507; D7/523; D7/532**

(58) **Field of Classification Search**
USPC D7/507, 509, 510, 511, 523, 532, 527,
D7/531, 392.1, 396.2, 397, 398, 514, 515,
D7/529; D9/500, 651, 501, 504, 503,
D9/505, 569, 542, 558, 435, 516, 520,
D9/530, 532; 220/592.16, 592.17;
215/381
CPC A47G 19/22; A47G 19/2205; A47G
19/2266; A47J 41/02; B65D 47/066;
B65D 1/02
See application file for complete search history.

(56) **References Cited**

U.S. PATENT DOCUMENTS

3,229,840 A * 1/1966 Filleul B65D 1/06
215/12.1
4,147,808 A * 4/1979 Liepa A23L 2/40
261/121.1
5,148,682 A * 9/1992 Wolf F25D 3/08
220/625

D436,501 S * 1/2001 Huang D7/608
D467,804 S * 12/2002 Restrepo D9/500
D581,278 S * 11/2008 Shibata D9/453
D617,449 S * 6/2010 Walker D24/122
8,365,913 B2 * 2/2013 Ceder B65D 23/0885
206/446
8,365,941 B2 * 2/2013 Mayer A45F 3/18
206/217
D688,531 S * 8/2013 Ceder D7/624.2
D703,487 S * 4/2014 Marina D7/507
D709,387 S * 7/2014 Marina D7/300.1
(Continued)

Primary Examiner — Marianne N Pandozzi
Assistant Examiner — Jae Liang
(74) *Attorney, Agent, or Firm* — Wang Law Firm, Inc.

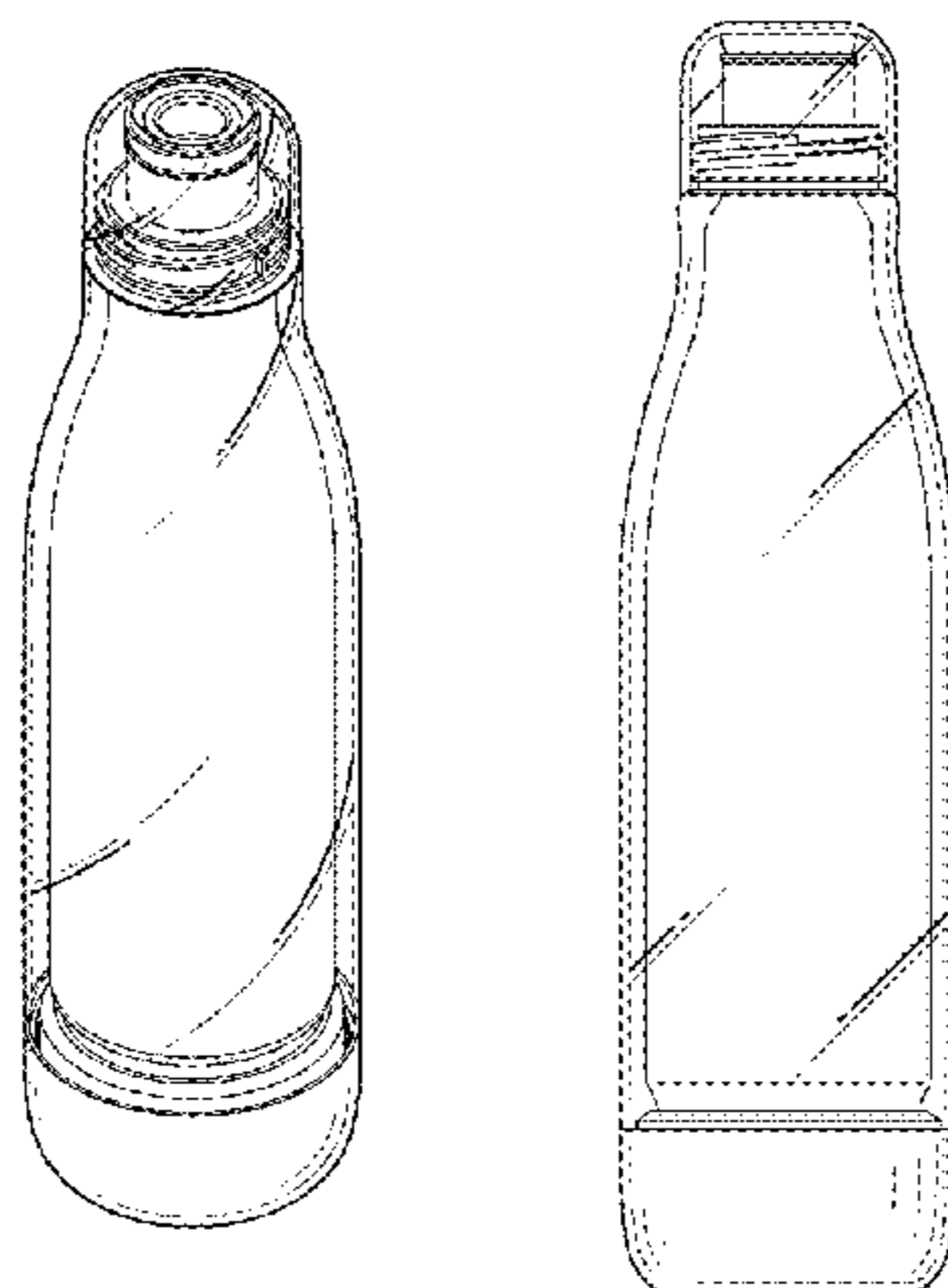
(57) **CLAIM**

The ornamental design for a water bottle, as shown and described.

DESCRIPTION

FIG. 1 is a perspective view of a water bottle showing my new design;
FIG. 2 is a front view thereof;
FIG. 3 is a rear view thereof;
FIG. 4 is a right side view thereof;
FIG. 5 is a left side view thereof;
FIG. 6 is an enlarged top view thereof;
FIG. 7 is an enlarged bottom view thereof;
FIG. 8 is an exploded perspective view thereof;
FIG. 9 is an exploded front view thereof;
FIG. 10 is an exploded rear view thereof;
FIG. 11 is an exploded right side view thereof;
FIG. 12 is an exploded left side view thereof;
FIG. 13 is an enlarged exploded top view thereof; and,
FIG. 14 is an enlarged exploded bottom view thereof.
The broken line showing of the bottle bottom detail is for the purpose of illustrating portions of the water bottle and forms no part of the claimed design.

1 Claim, 14 Drawing Sheets



(56)

References Cited

U.S. PATENT DOCUMENTS

D727,171 S *	4/2015	Marina	D7/300.1
D752,391 S *	3/2016	Hatherell	D7/510
D786,620 S *	5/2017	Nickley	D7/511
D796,331 S *	9/2017	Eyal	D9/500
D814,241 S *	4/2018	Nickley	D7/510
2017/0233138 A1 *	8/2017	Campbell	B65D 23/0885 215/44

* cited by examiner

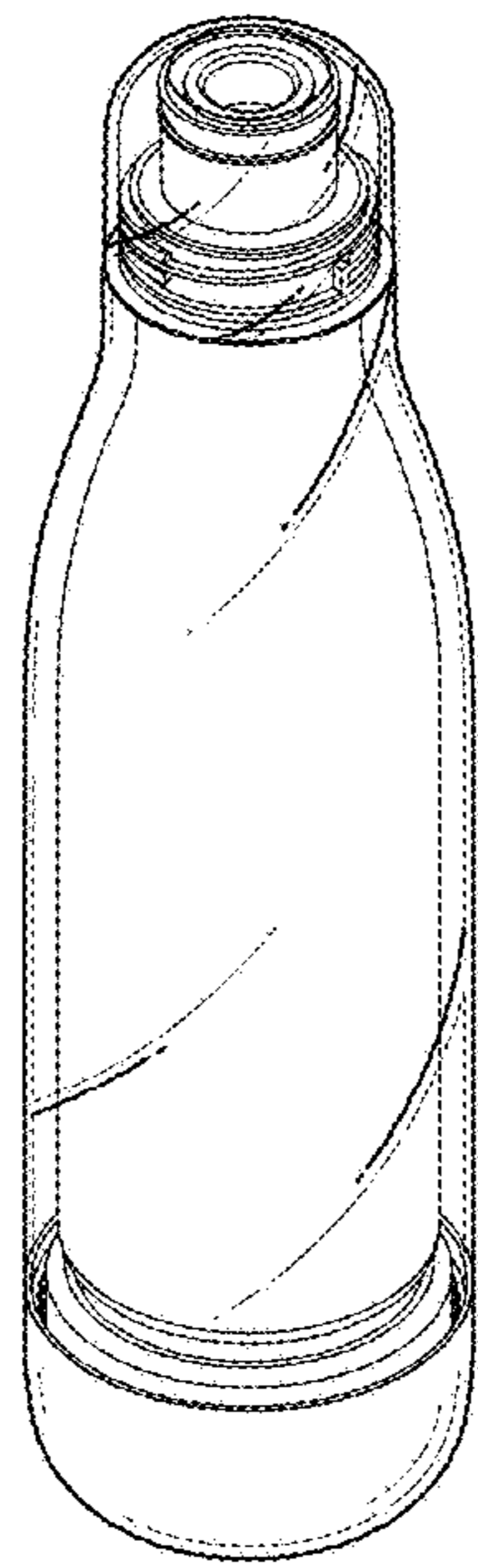


FIG. 1

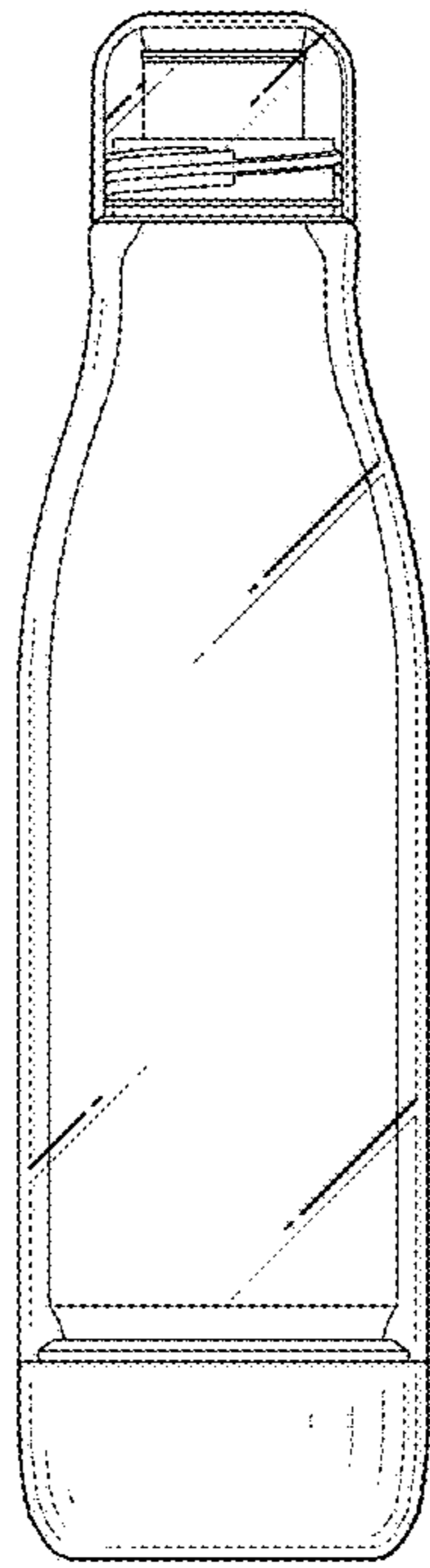


FIG. 2

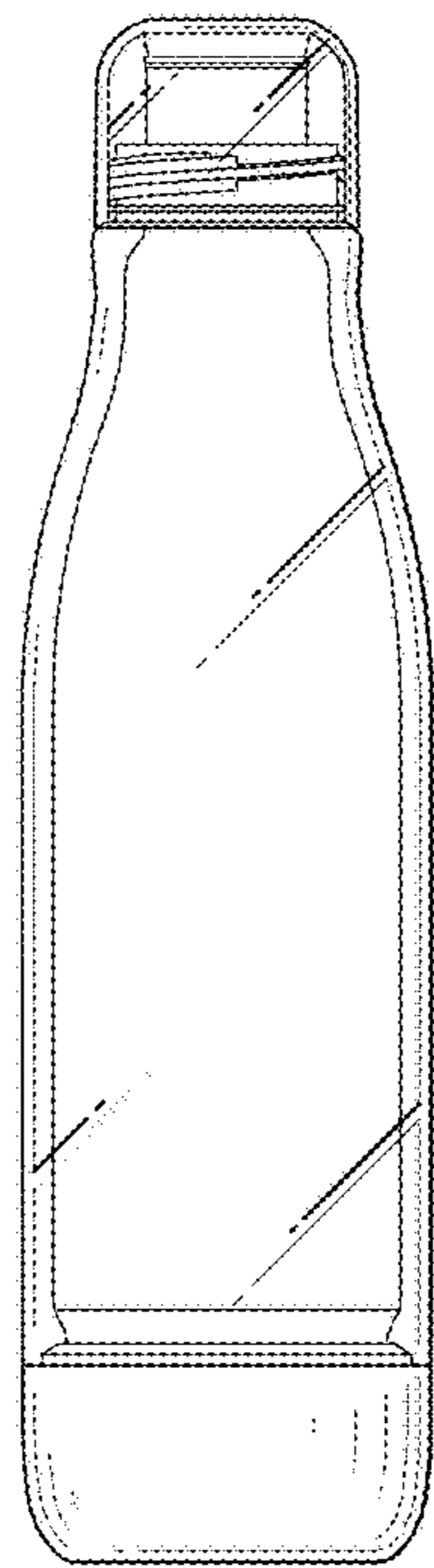


FIG. 3

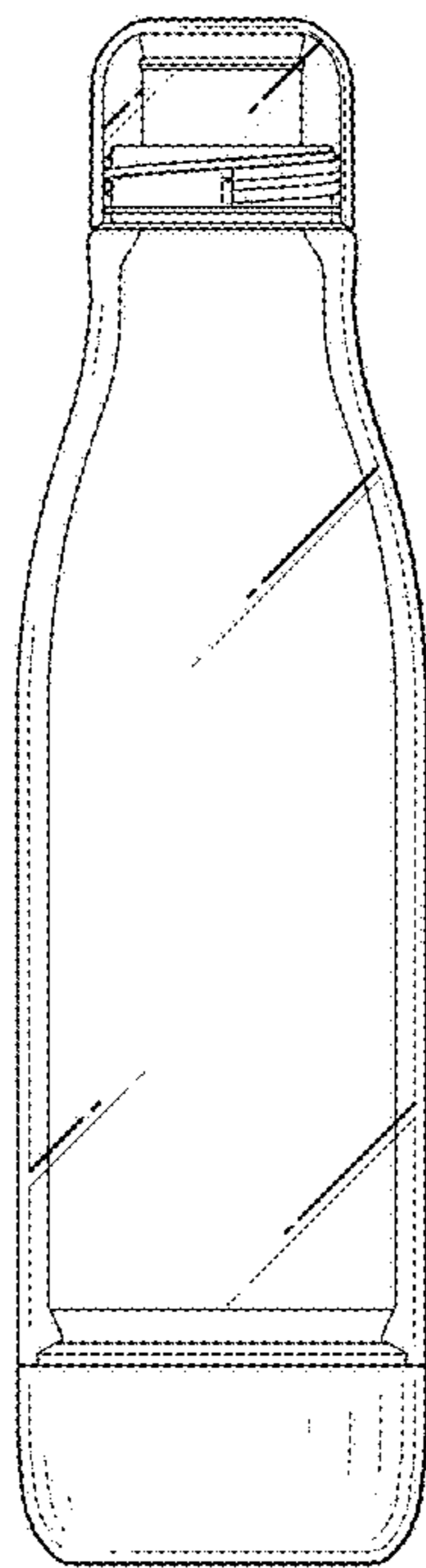


FIG. 4

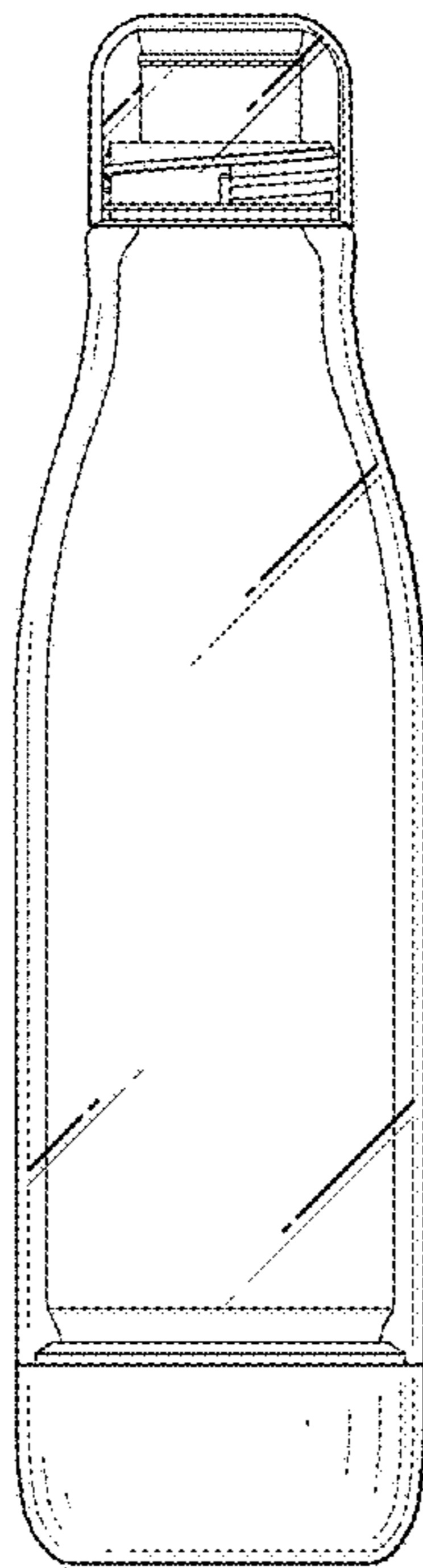


FIG. 5

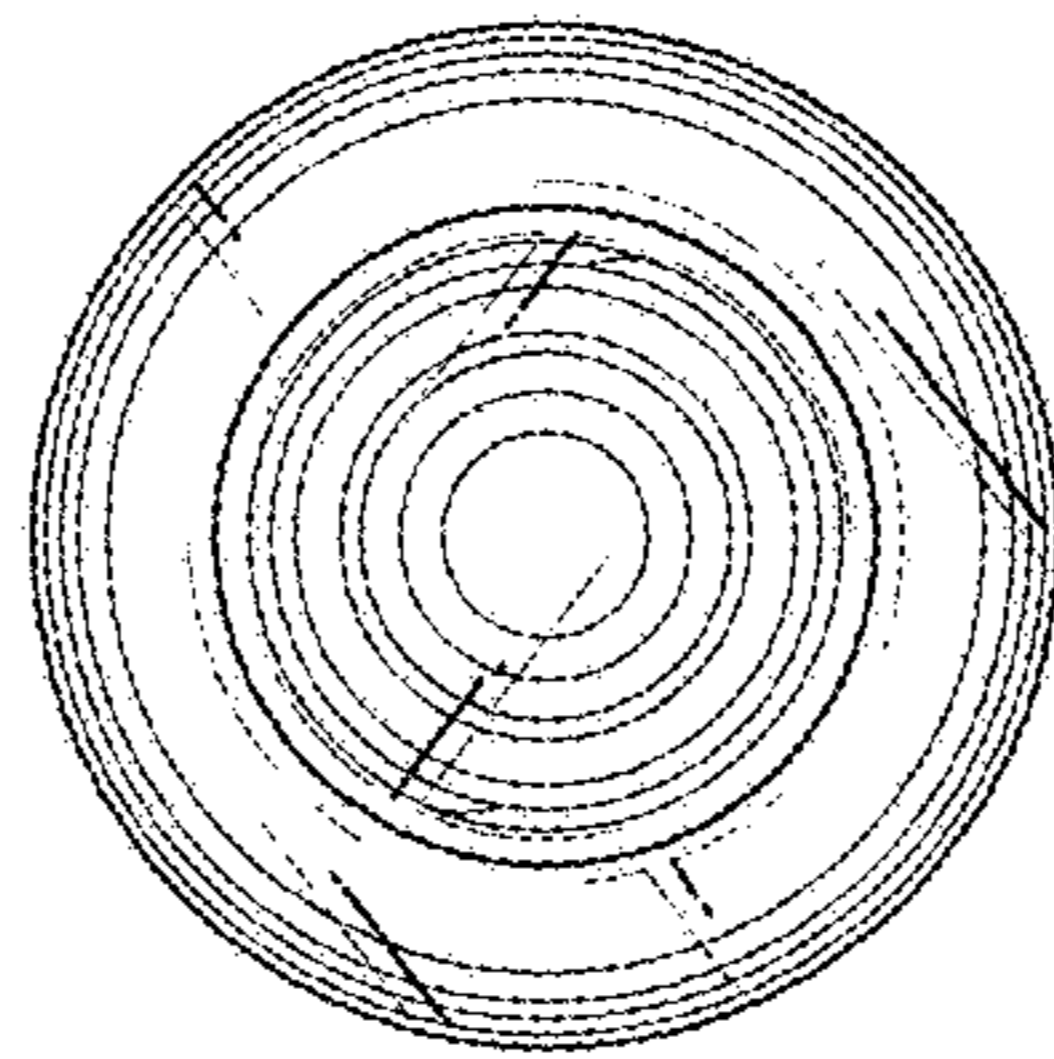


FIG. 6

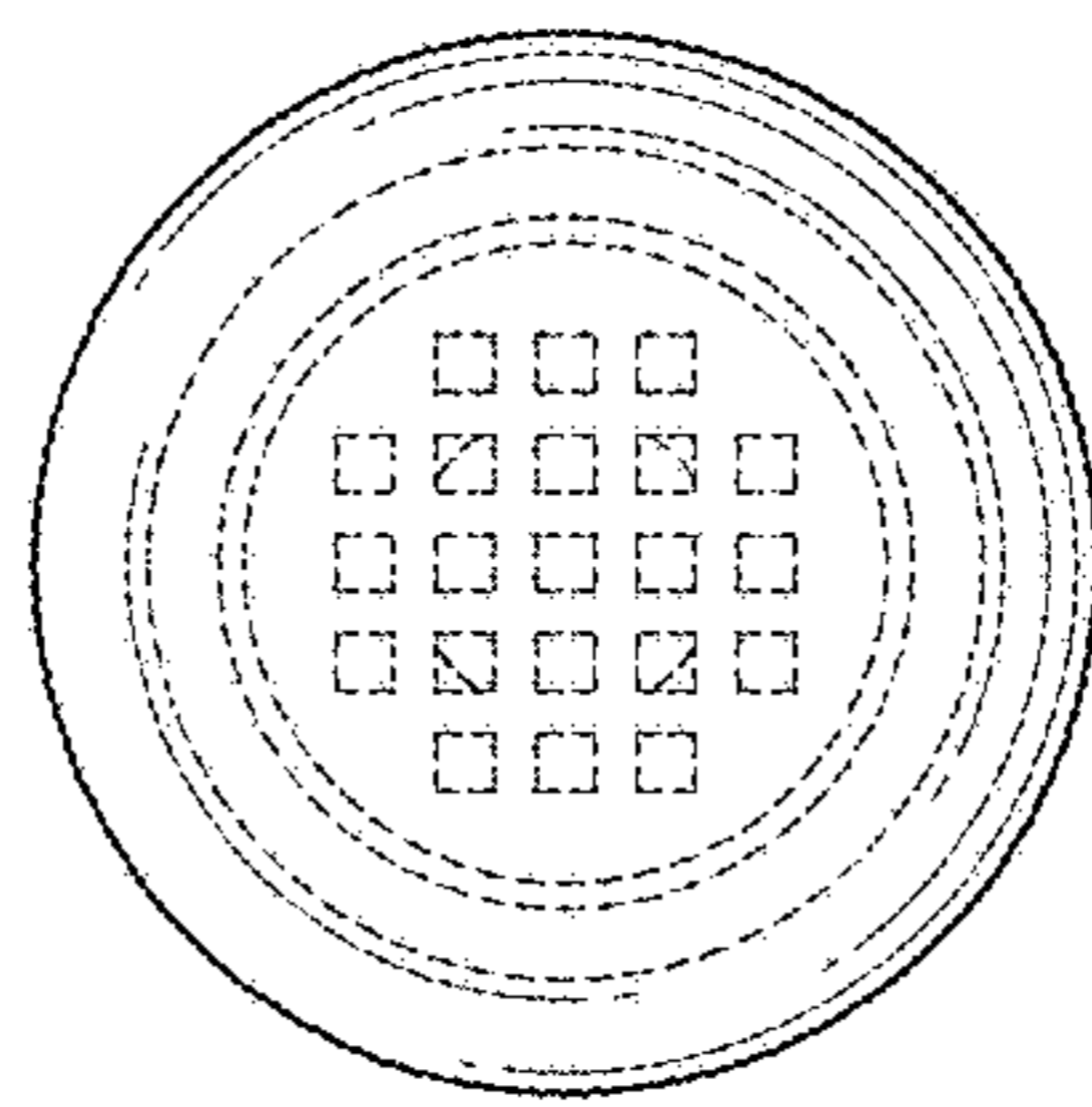


FIG. 7

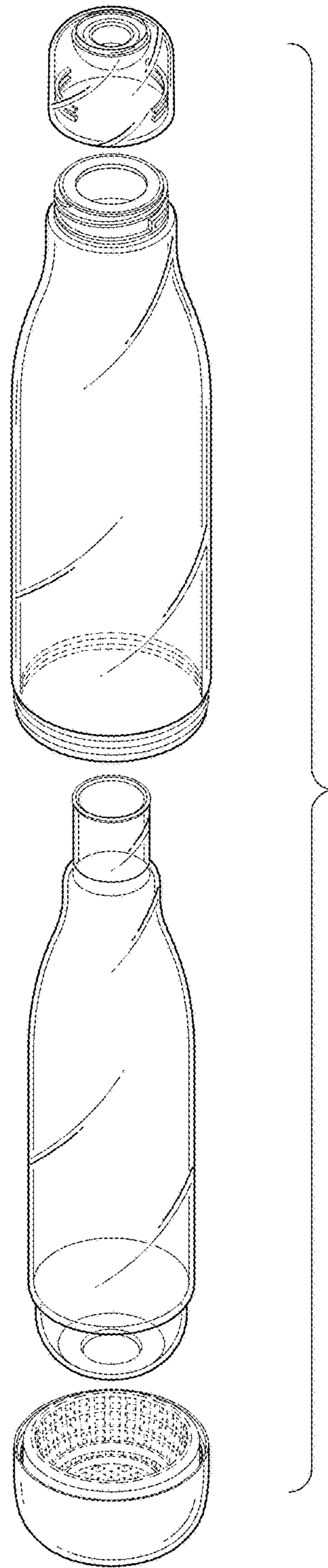


FIG. 8

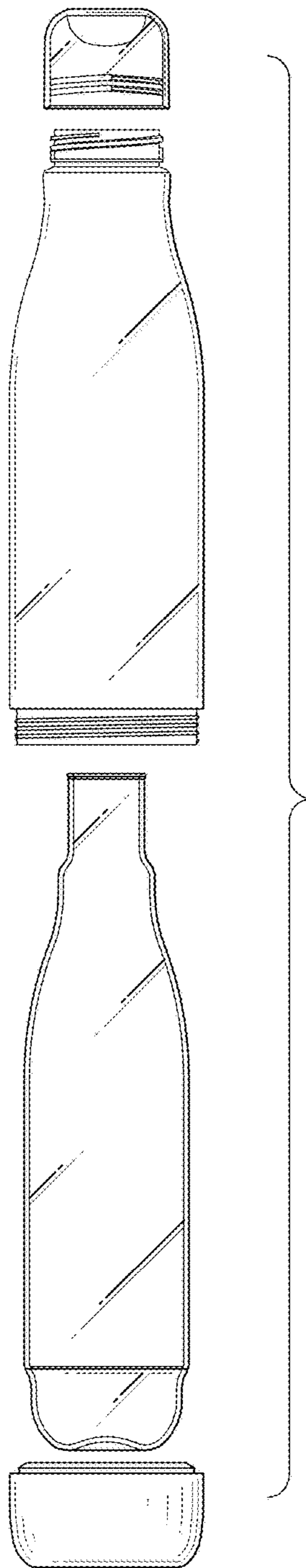


FIG. 9

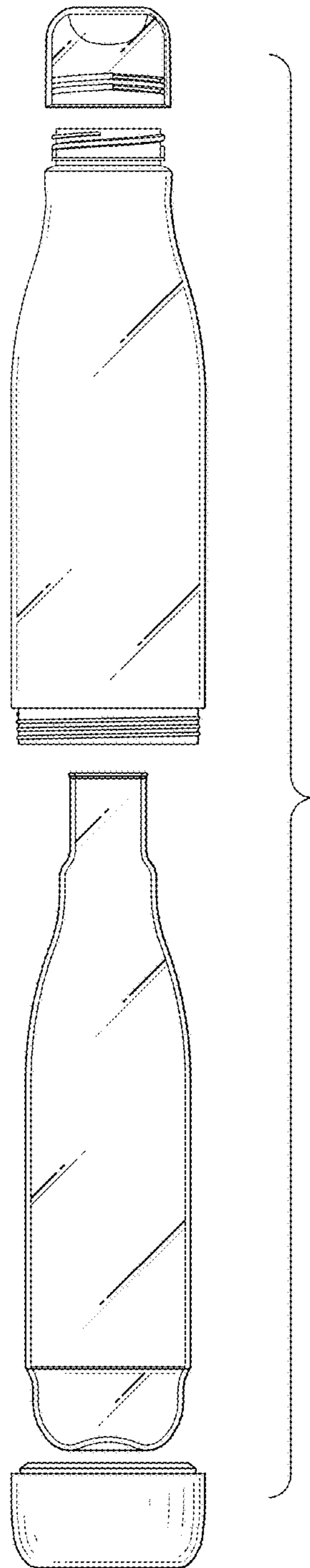


FIG. 10

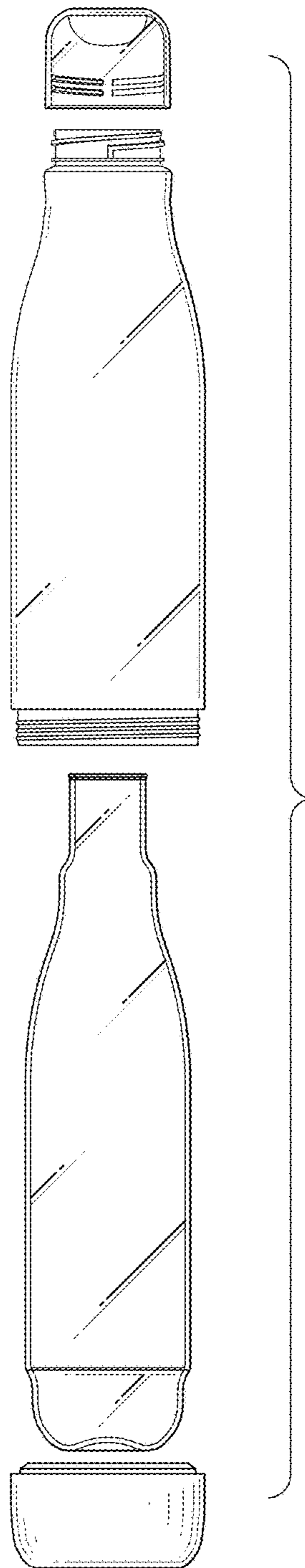


FIG. 11

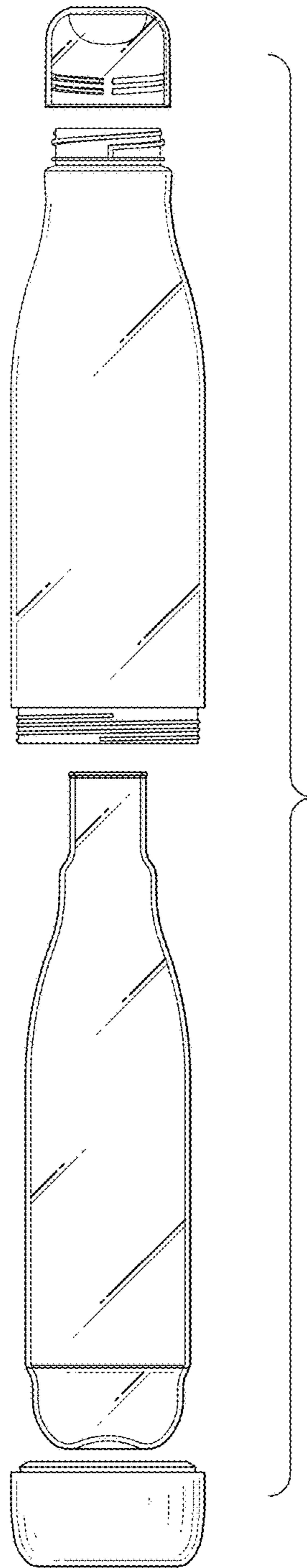


FIG. 12

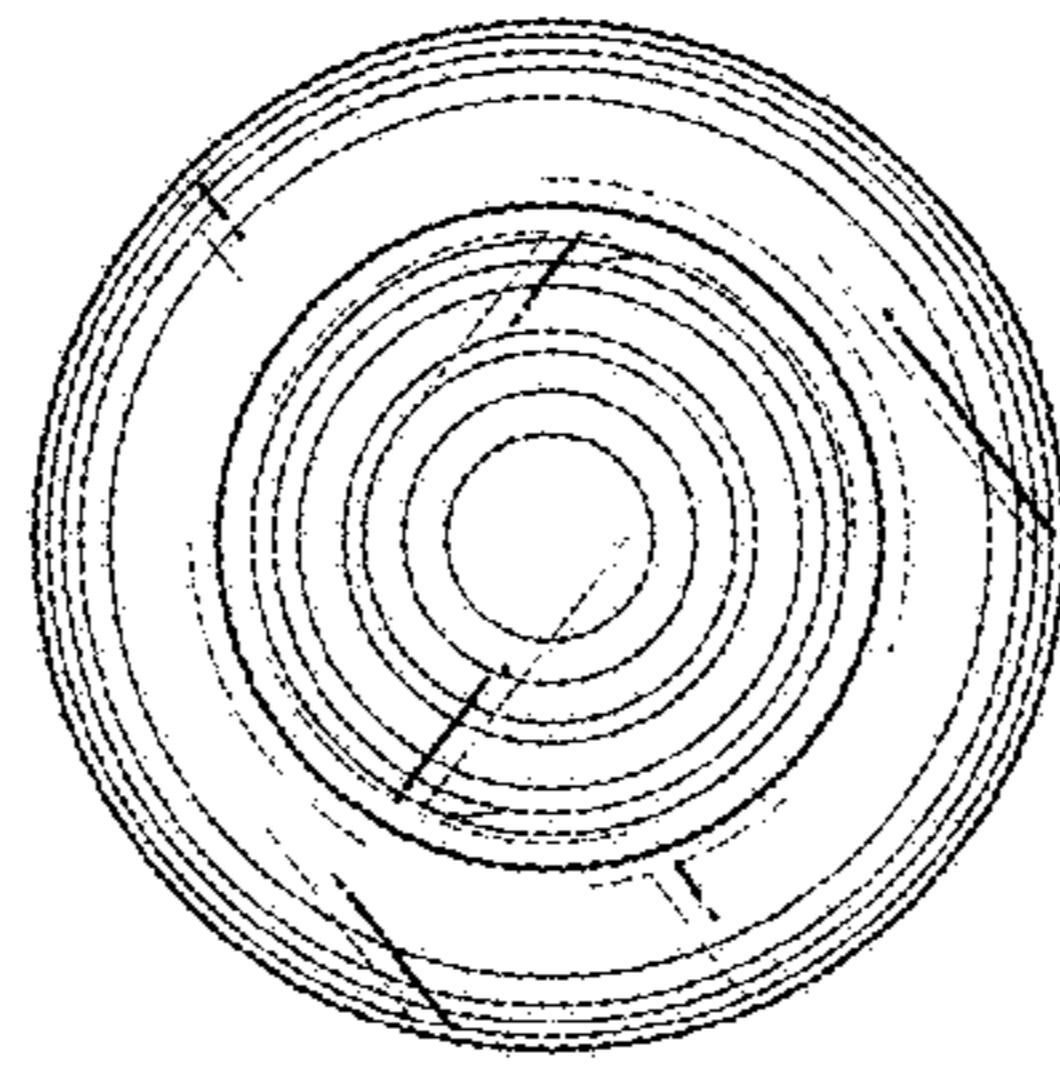


FIG. 13

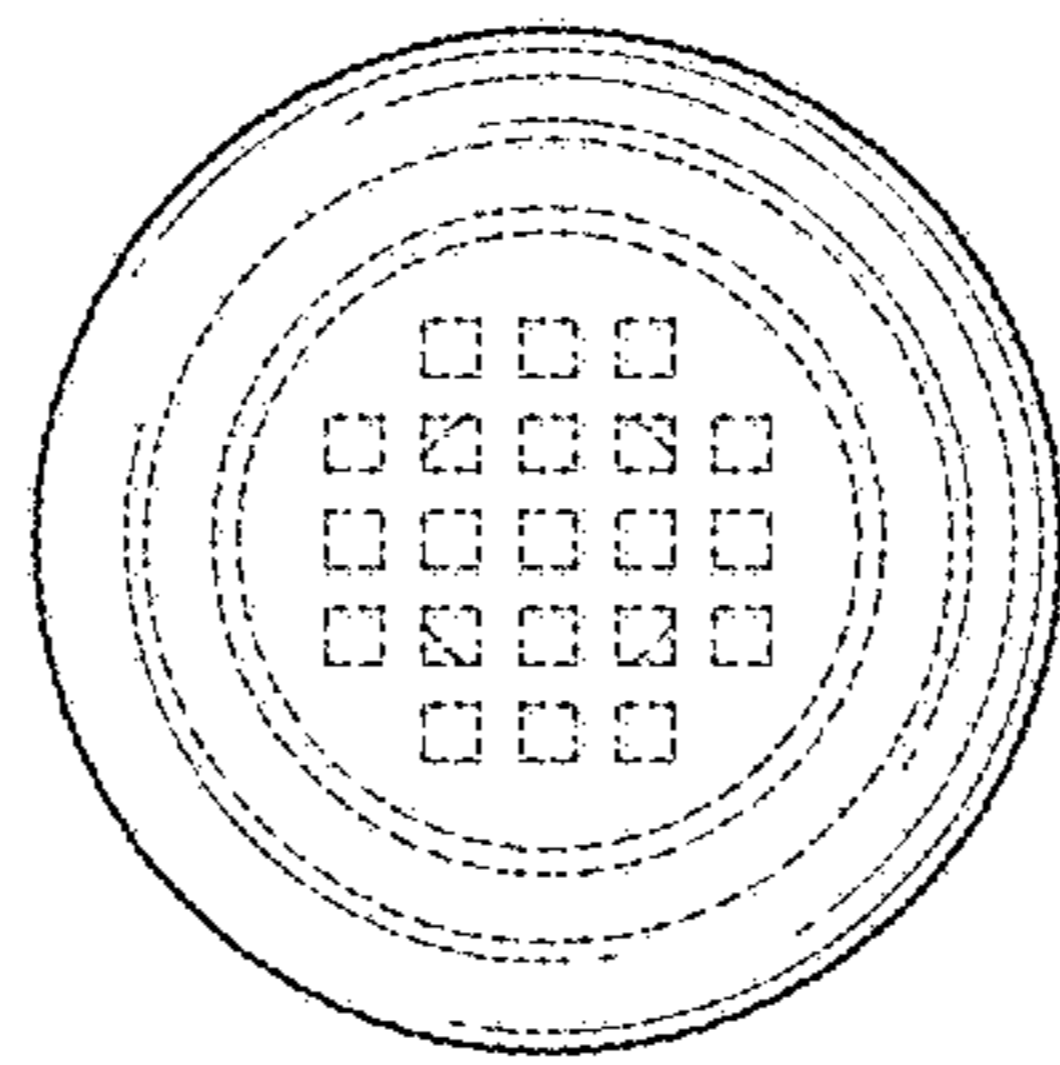


FIG. 14