



US00D853192S

(12) **United States Design Patent**
Kim

(10) **Patent No.:** **US D853,192 S**
(45) **Date of Patent:** **** Jul. 9, 2019**

(54) **LID FOR JUICE EXTRACTOR**
(71) Applicant: **NUC Electronics Co., Ltd., Daegu (KR)**
(72) Inventor: **Jong Boo Kim, Daegu (KR)**
(73) Assignee: **NUC ELECTRONICS CO., LTD., Daegu (KR)**

D700,477 S * 3/2014 Kim D7/412
D718,094 S * 11/2014 Yan D7/665
D743,737 S * 11/2015 Benoit D7/376
9,265,381 B2 * 2/2016 Beber A47J 43/046
2014/0247686 A1 * 9/2014 Arnett A47J 43/046
366/205
2014/0262669 A1 * 9/2014 Conti F16D 7/02
192/56.61
2017/0280912 A1 * 10/2017 Han A47J 43/07

(**) Term: **15 Years**

* cited by examiner

Primary Examiner — Terry A Wallace

(21) Appl. No.: **29/628,750**

(74) *Attorney, Agent, or Firm* — Seed IP Law Group LLP

(22) Filed: **Dec. 7, 2017**

(30) **Foreign Application Priority Data**

Jun. 9, 2017 (KR) 30-2017-0026136

(51) **LOC (11) Cl.** **31-00**

(52) **U.S. Cl.**
USPC **D7/412; D7/665**

(58) **Field of Classification Search**
USPC D7/665-668, 368, 369, 371, 376, 378,
D7/381, 412, 413, 414
CPC .. A47J 2043/04454; A47J 19/00; A47J 19/02;
A47J 19/06; A47J 19/022; A47J 19/027;
A47J 19/046; A47J 19/0794; A23N 1/00;
A23N 1/02; A23N 1/003
See application file for complete search history.

(56) **References Cited**

U.S. PATENT DOCUMENTS

D310,153 S * 8/1990 Kaiser D7/384
D698,210 S * 1/2014 Lavy D7/665

(57) **CLAIM**

The ornamental design for a lid for juice extractor, as shown and described.

DESCRIPTION

FIG. 1 is a top, left, front isometric view of a lid for juice extractor showing our new design;
FIG. 2 is a front elevational view thereof;
FIG. 3 is a rear elevational view thereof;
FIG. 4 is a left side elevational view thereof;
FIG. 5 is a right side elevational view thereof;
FIG. 6 is a top plan view thereof; and,
FIG. 7 is a bottom plan view thereof.
The broken lines in the figures represent features of the article of manufacture that form no part of the claimed design.

1 Claim, 7 Drawing Sheets

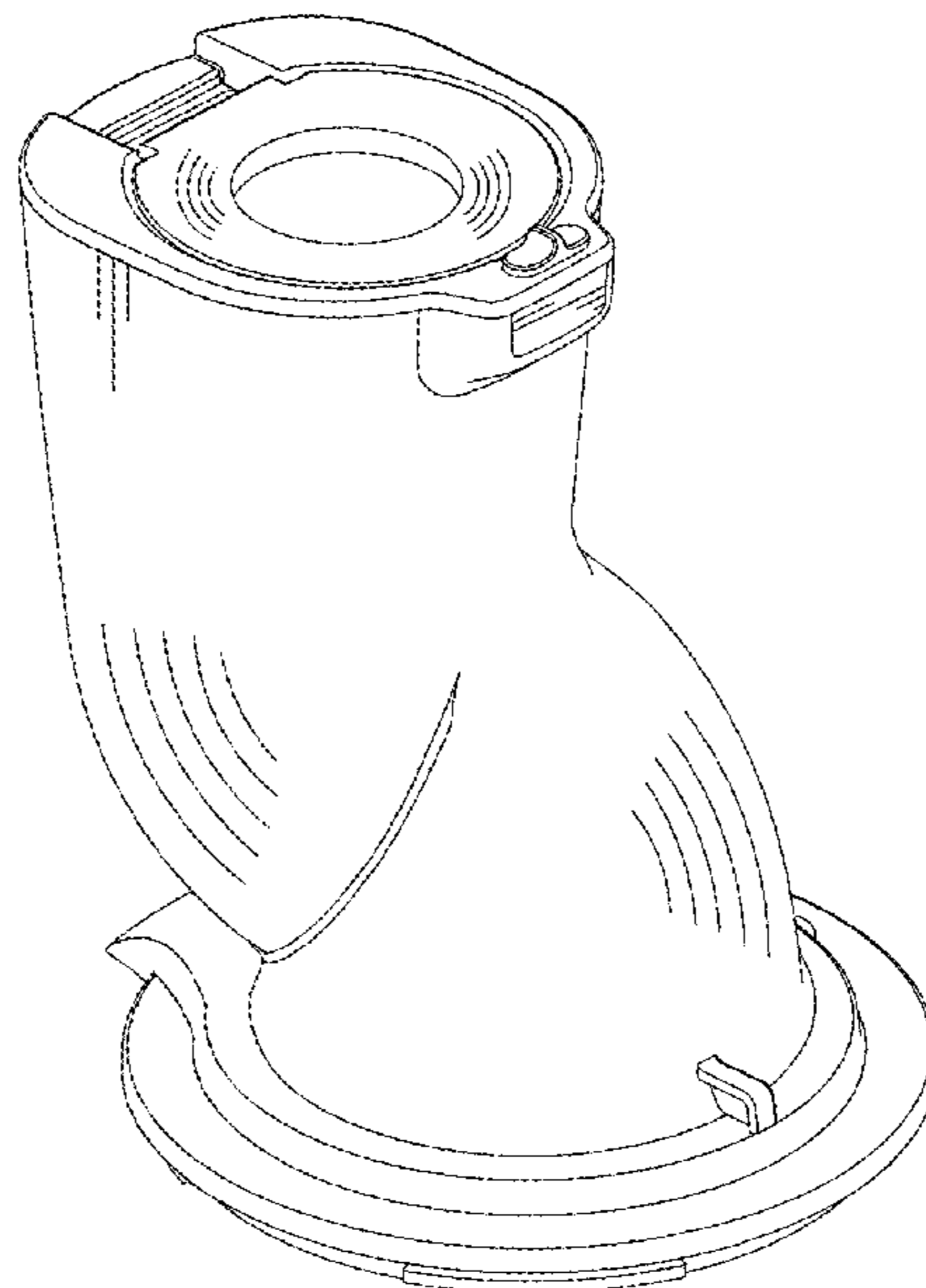


Fig. 1

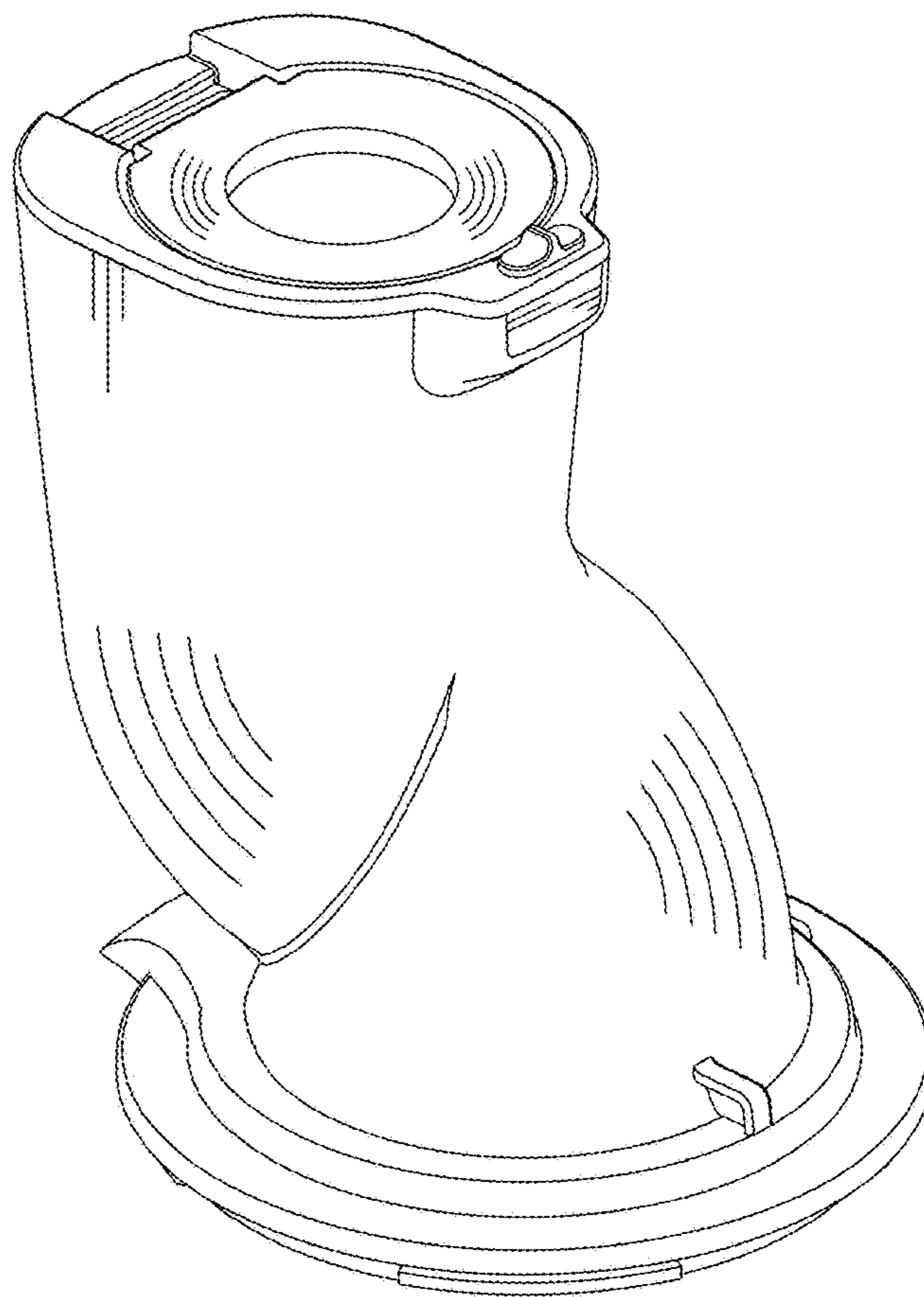


Fig. 2

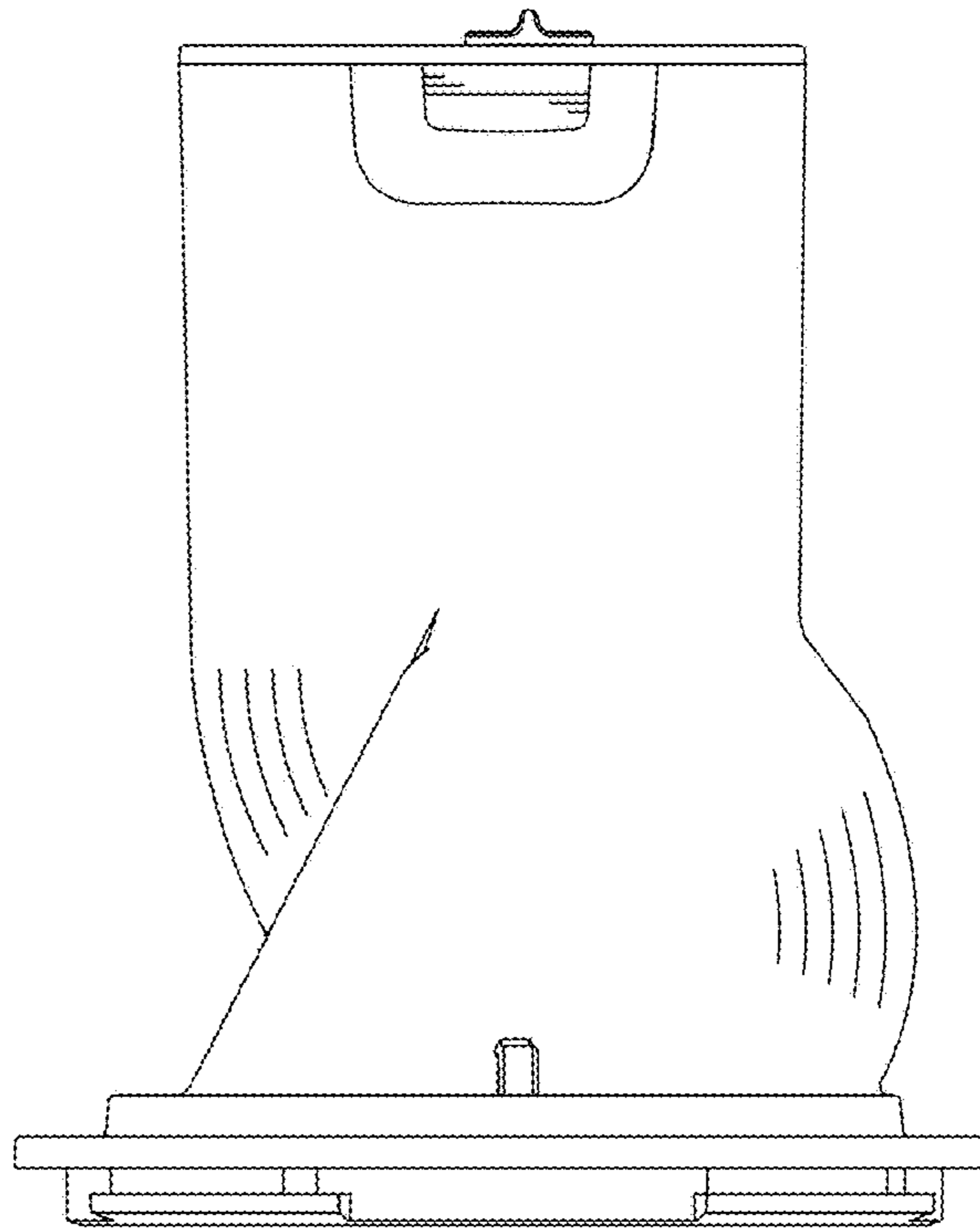


Fig. 3

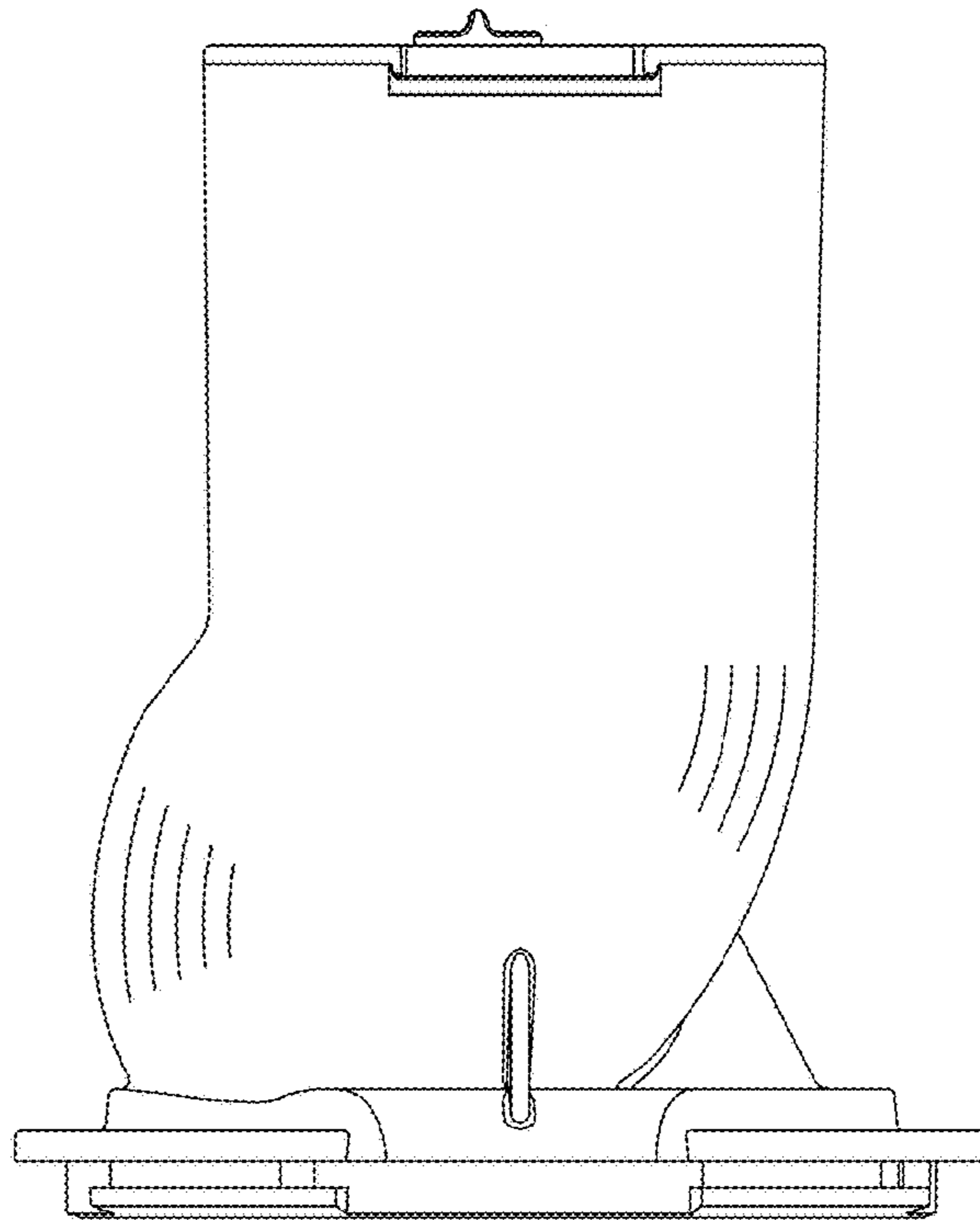


Fig. 4

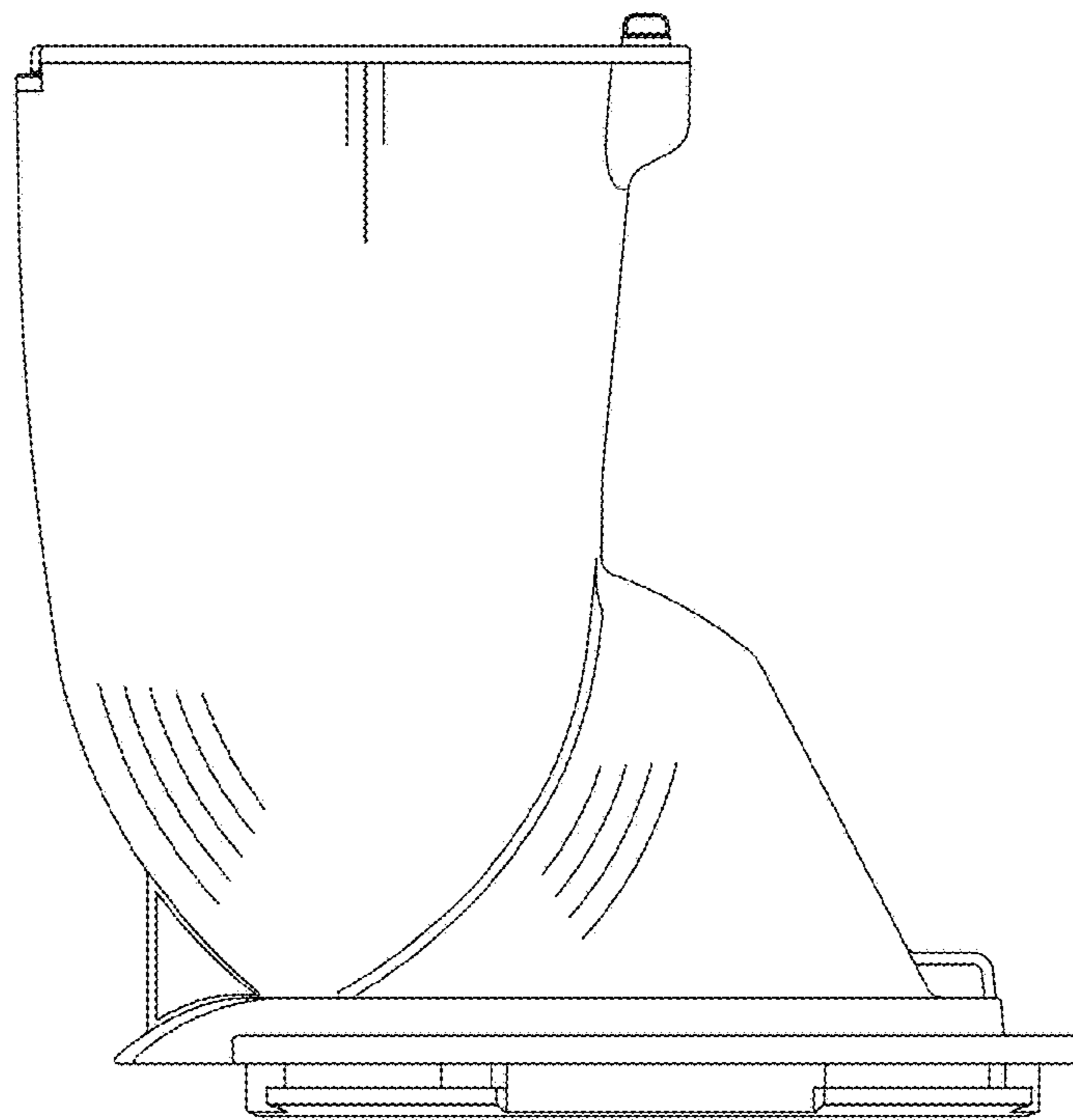


Fig. 5

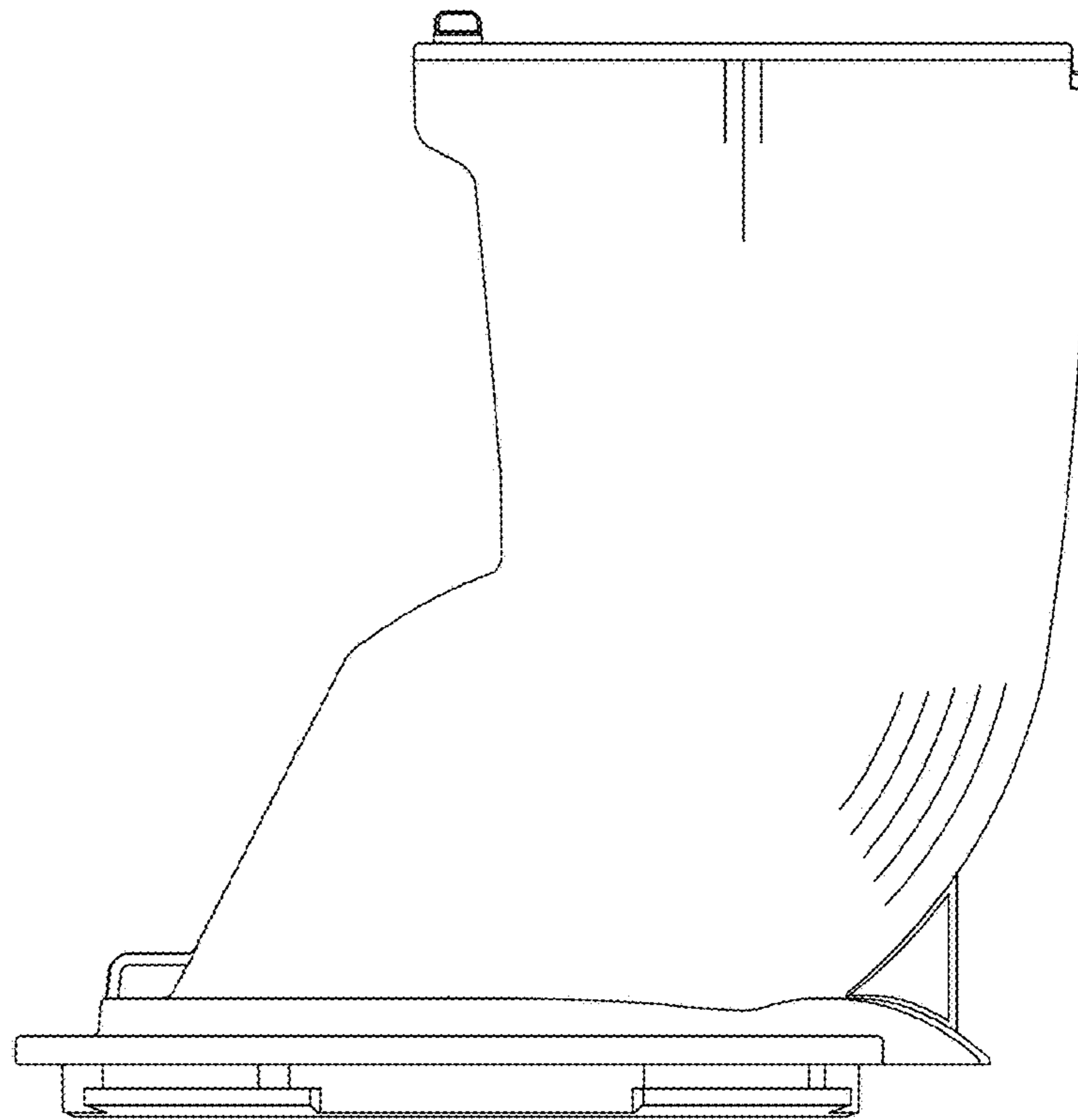


Fig. 6

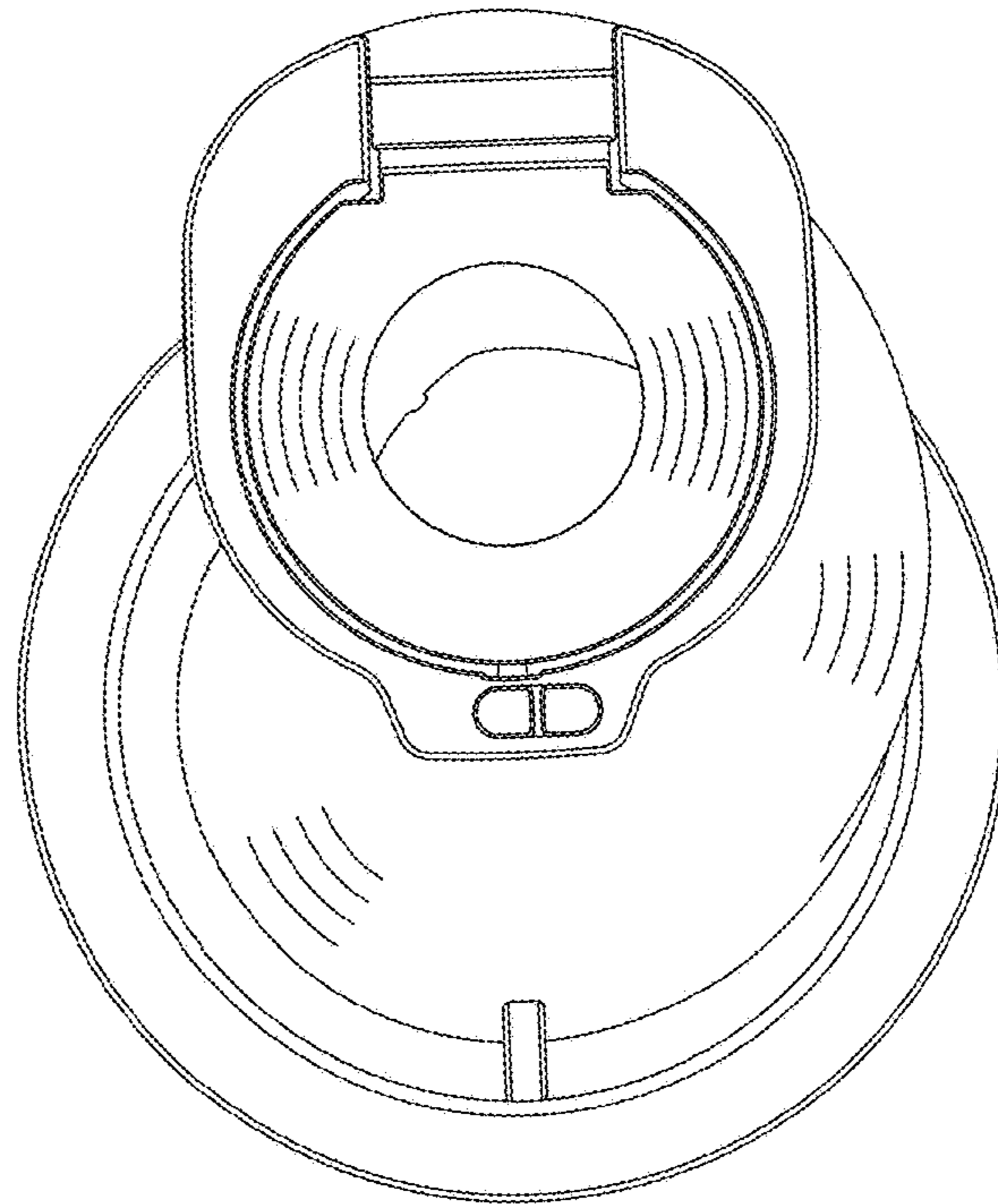


Fig. 7

