



US00D853190S

(12) **United States Design Patent** (10) **Patent No.:** **US D853,190 S**  
**Stewart** (45) **Date of Patent:** **\*\* Jul. 9, 2019**

(54) **ADJUSTABLE COOKING RING**  
(71) Applicant: **Fusionbrands LLC**, West Chester, PA (US)  
(72) Inventor: **Stephen Kraigh Stewart**, Pittsford, NY (US)  
(73) Assignee: **FUSIONBRANDS LLC**, West Chester, PA (US)

(\*\*) Term: **15 Years**  
(21) Appl. No.: **29/597,665**

(22) Filed: **Mar. 17, 2017**  
(51) **LOC (11) Cl.** ..... **07-99**  
(52) **U.S. Cl.**  
USPC ..... **D7/409**  
(58) **Field of Classification Search**  
USPC ..... D7/213, 323, 339, 347, 354, 361, 362, D7/368, 369, 387, 388, 396.6, 402, 403, D7/407, 667-669, 674, 677, 688, 690, D7/692, 695, 337, 406, 503, 357, 523, D7/611, 524, 288, 672, 409; D24/199; D11/147; 431/231; 126/41 R, 307 A; 99/422, 426, 433, 440; 248/346.1; 211/74; D8/72, 383, 356, 394, 395, 396; D23/264, 265

See application file for complete search history.

(56) **References Cited**

**U.S. PATENT DOCUMENTS**

2,198,158 A \* 4/1940 Fletcher ..... A47J 37/101  
126/299 C  
D162,041 S \* 2/1951 Klein ..... 249/117  
D227,533 S \* 7/1973 Christell ..... 99/426  
D257,202 S \* 10/1980 Schessl ..... 99/426  
D259,014 S \* 4/1981 Nelson, Sr. .... D7/213  
4,345,516 A \* 8/1982 Sinclair ..... A47J 37/108  
249/115  
D402,501 S \* 12/1998 Powers ..... D7/503

D526,160 S \* 8/2006 Sesona ..... D7/323  
D610,868 S \* 3/2010 Andersson ..... D7/213  
8,925,446 B2 \* 1/2015 McPheron ..... A21B 3/13  
99/355  
2003/0037683 A1 \* 2/2003 Haas ..... A21B 5/03  
99/426

(Continued)

**OTHER PUBLICATIONS**

Available Mar. 20, 2018, [online], [site visited May 8, 2018].  
Available from Internet, URL: <https://www.surlatable.com/product/PRO-3770872/> (Year: 2018).\*

(Continued)

*Primary Examiner* — Cathron C Brooks  
*Assistant Examiner* — Katrina N Gonzalez  
(74) *Attorney, Agent, or Firm* — Mintz, Levin, Cohn, Ferris, Glovksy and Popeo, P.C.

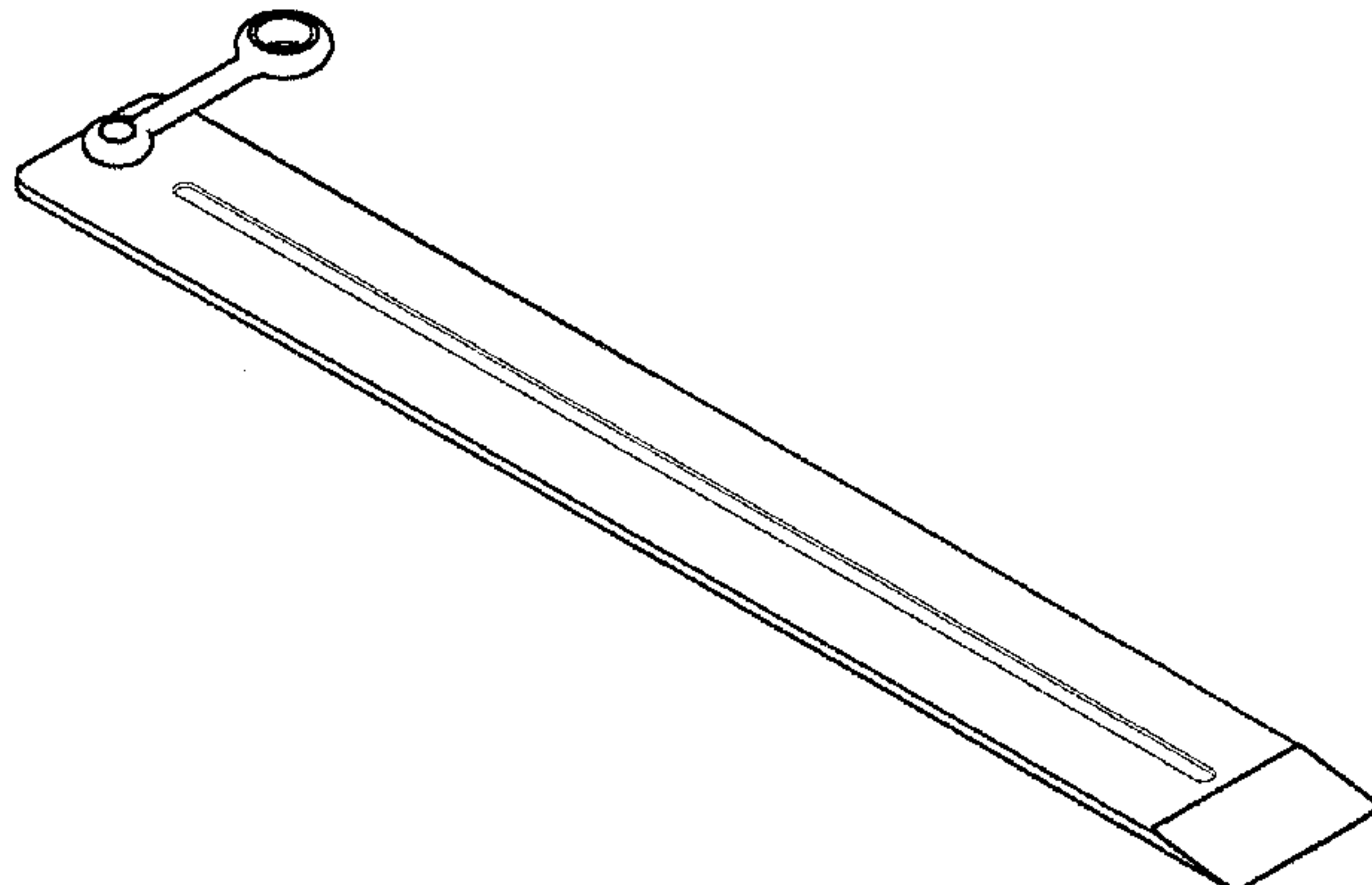
(57) **CLAIM**

The ornamental design for an adjustable cooking ring, as shown and described.

**DESCRIPTION**

FIG. 1 is a top perspective view of an adjustable cooking ring showing my new design;  
FIG. 2 is a bottom perspective view of the adjustable cooking ring of FIG. 1;  
FIG. 3 is a top plan view of the adjustable cooking ring of FIG. 1;  
FIG. 4 is a bottom plan view of the adjustable cooking ring of FIG. 1;  
FIG. 5 is a side view of the adjustable cooking ring of FIG. 1; and,  
FIG. 6 is a perspective view thereof, shown in an alternate configuration.

**1 Claim, 5 Drawing Sheets**



(56)

**References Cited**

U.S. PATENT DOCUMENTS

2008/0017047 A1\* 1/2008 Stanczak ..... A47J 37/108  
99/357  
2009/0255413 A1\* 10/2009 Ewald ..... A47J 43/20  
99/426  
2016/0135641 A1\* 5/2016 Vega ..... 99/416

OTHER PUBLICATIONS

Available May 9, 2018, [online], [site visited May 9, 2018].  
Available from Internet, URL:<https://www.fusionbrands.com/products/eggxactring> (Year: 2018).\*

Available May 9, 2018, [online], [site visited May 9, 2018].  
Available from Internet, <http://www.chefscomplements.co.nz/buy-kitchenware-nz/eggxact-adjustable-silicone-food-ring/> (Year: 2018).\*

Available May 9, 2018, [online], [site visited May 9, 2018].  
Available from Internet, URL:<http://www.chefscomplements.co.nz/buy-kitchenware-nz/silicone-egg-ring-11cm-blue-kitchenwerks/> (Year: 2018).\*

Available Mar. 21, 2016, [online], [site visited May 9, 2018].  
Available from Internet, URL:<https://www.bedbathandbeyond.com/store/product/joye-roundy-silicone-egg-ring/1017857428> (Year: 2016).\*

Available May 9, 2016, [online], [site visited May 9, 2018].  
Available from Internet, URL:<https://www.crateandbarrel.com/yellow-silicone-pancake-egg-ring/s434827> (Year: 2016).\*

Available Mar. 8, 2018, [online], [site visited May 9, 2018].  
Available from Internet, URL:<https://www.walmart.com/ip/2-4-6Pcs-Egg-Ring-Round-Silicone-Fried-Egg-Ring-Mold-Frier-Oven-Poacher-Pancake-Egg-Poach-Ring-Mould-Kitchen-Randonn-Color-School-Season-Discount/461025343> (Year: 2018).\*

\* cited by examiner

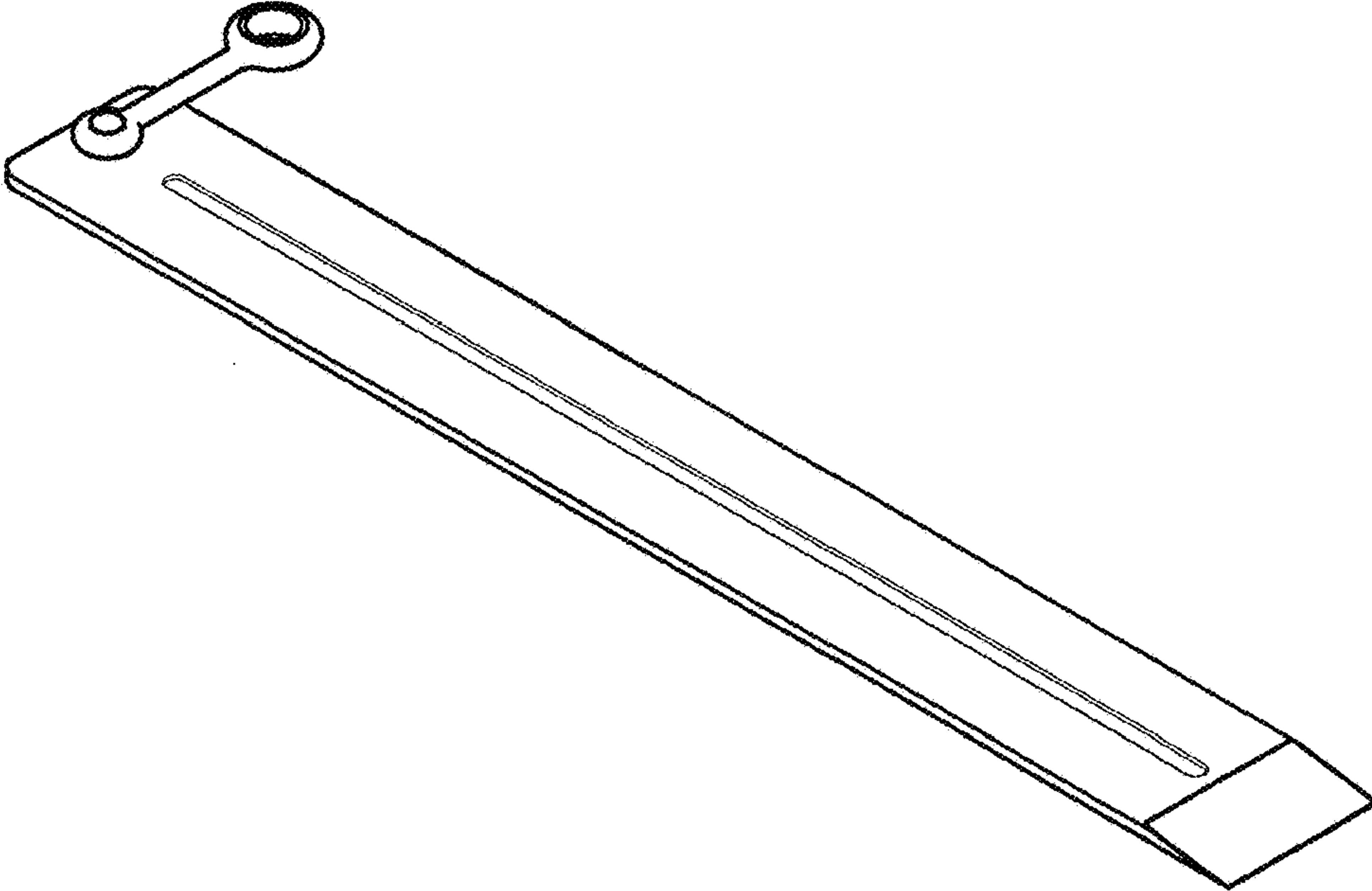


Fig. 1

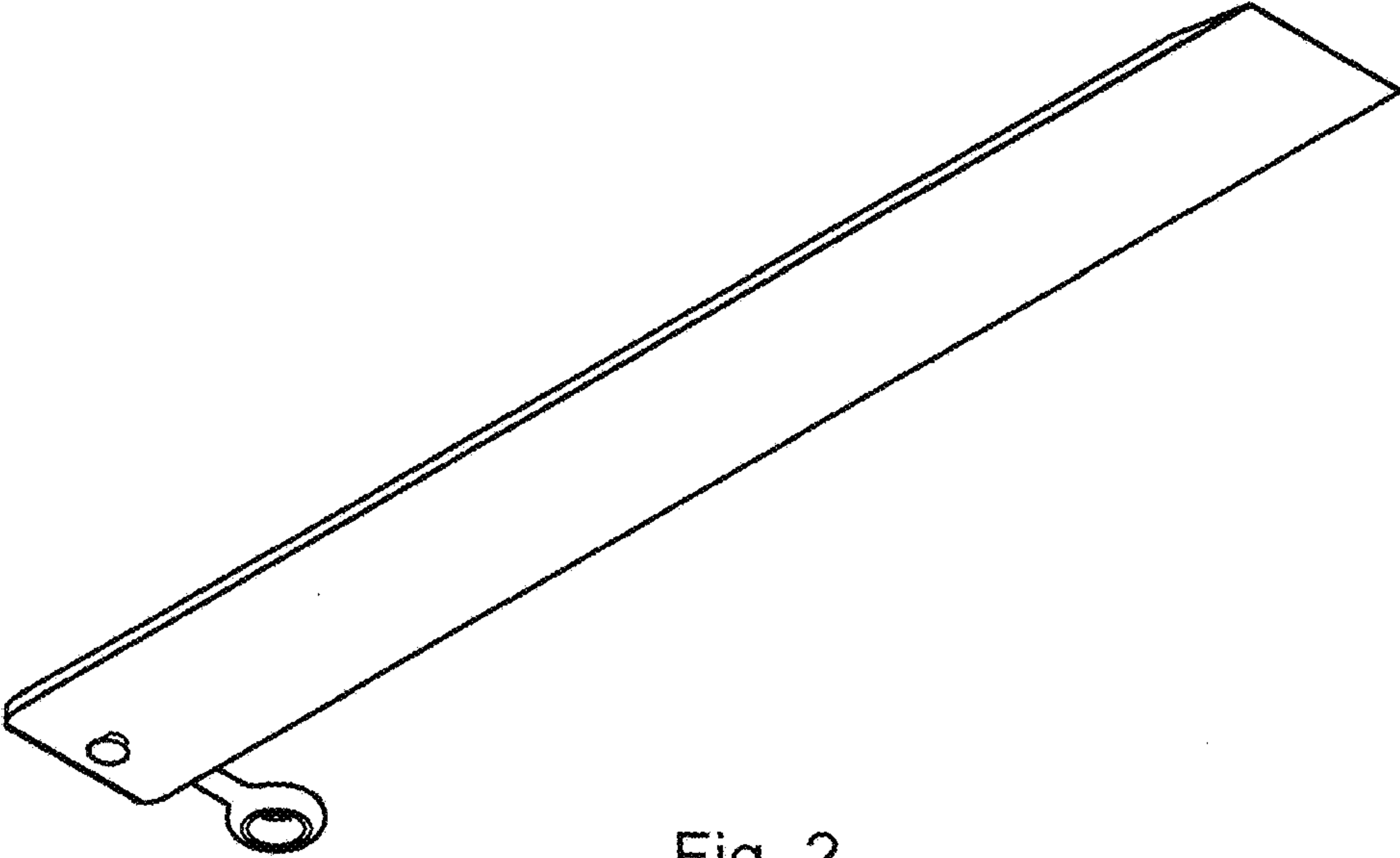


Fig. 2

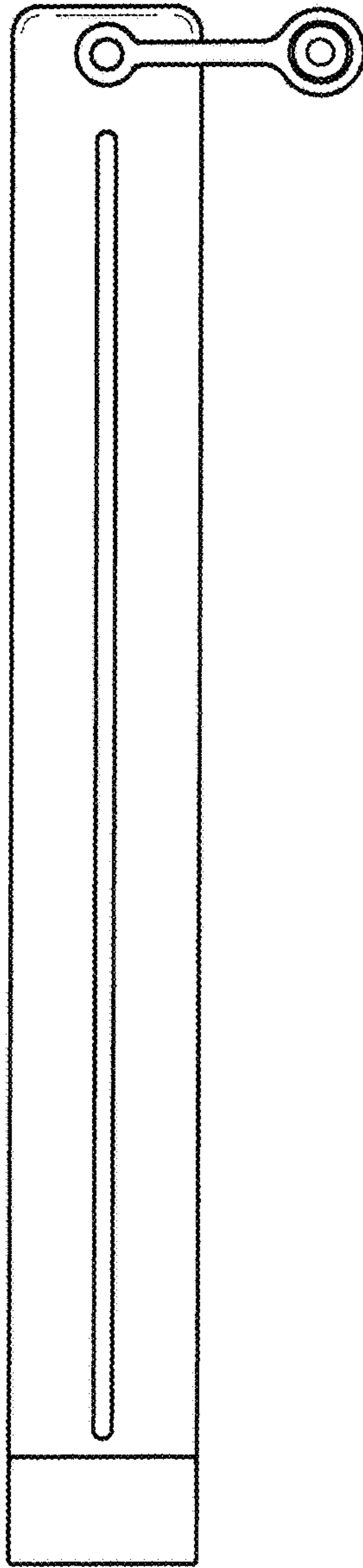


Fig. 3

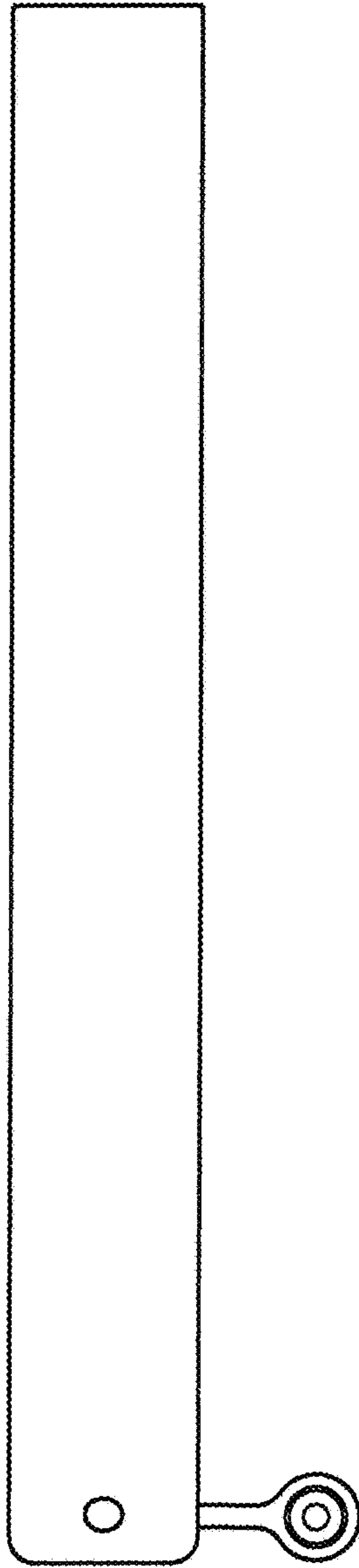


Fig. 4

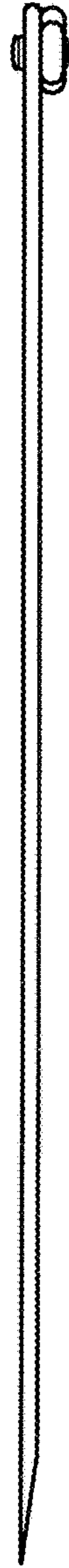


Fig. 5

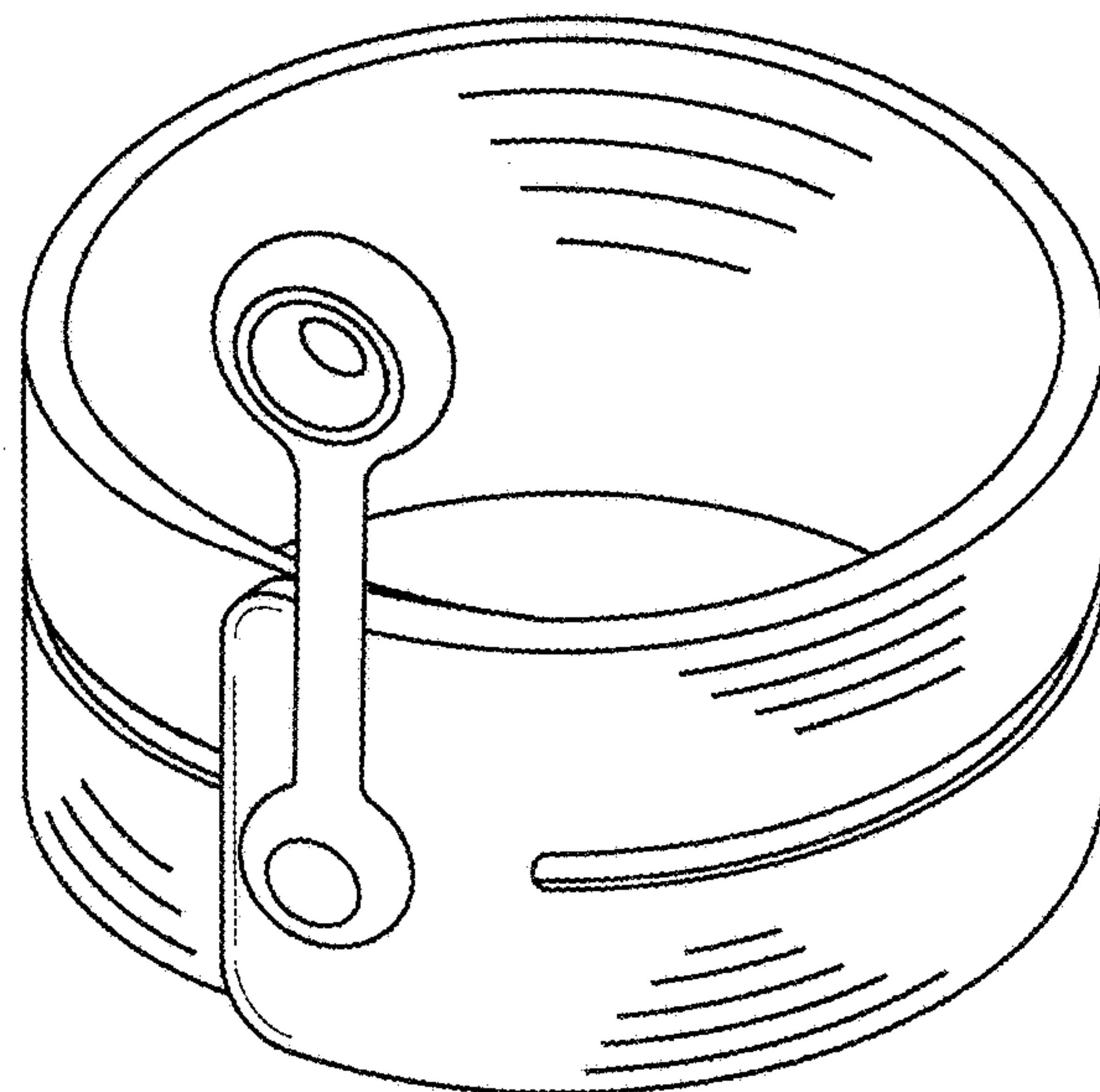


Fig. 6