



US00D853189S

(12) **United States Design Patent**  
**Chintis et al.**

(10) **Patent No.:** **US D853,189 S**

(45) **Date of Patent:** **\*\* Jul. 9, 2019**

(54) **COOKING APPLIANCE WITH A BURNER GRATE**

(71) Applicant: **WHIRLPOOL CORPORATION**,  
Benton Harbor, MI (US)

(72) Inventors: **Quinn Chintis**, Ferndale, MI (US);  
**Michael C. Lah**, Benton Harbor, MI (US)

(73) Assignee: **Whirlpool Corporation**, Benton Harbor, MI (US)

(\*\*) Term: **15 Years**

(21) Appl. No.: **29/587,368**

(22) Filed: **Dec. 13, 2016**

(51) **LOC (11) Cl.** ..... **07-02**

(52) **U.S. Cl.**  
USPC ..... **D7/408**

(58) **Field of Classification Search**  
USPC ..... D7/387, 402-409, 393, 394, 323, 331, D7/332-337, 339, 340, 346-349, 351, D7/354, 358; D12/500, 501, 502, 204  
CPC ..... F24C 15/36; F24C 15/107; F24C 15/024; F24C 3/08; F24C 3/124; F24C 7/08; F24C 7/081; F24C 7/082; F24C 7/087; A47J 37/042; A47J 37/07; A47J 37/12; A47J 37/129; A47J 37/1295

See application file for complete search history.

(56) **References Cited**

U.S. PATENT DOCUMENTS

D350,256 S \* 9/1994 Wang ..... D7/362  
D372,630 S \* 8/1996 Lewis ..... D7/346  
D389,374 S \* 1/1998 Miller ..... D7/408

D421,694 S \* 3/2000 Kitabayashi ..... D7/346  
D468,964 S \* 1/2003 Becker ..... F24C 15/107  
D7/408  
D697,756 S \* 1/2014 Segers ..... D7/408  
D707,080 S \* 6/2014 Shamoon ..... D7/388  
D738,683 S \* 9/2015 Segers ..... D7/408  
D782,863 S \* 4/2017 Kamper ..... D7/339  
D804,245 S \* 12/2017 Segers ..... D7/402

\* cited by examiner

*Primary Examiner* — Sheryl Lane

*Assistant Examiner* — Nicole C Shiflet

(74) *Attorney, Agent, or Firm* — Price Heneveld LLP

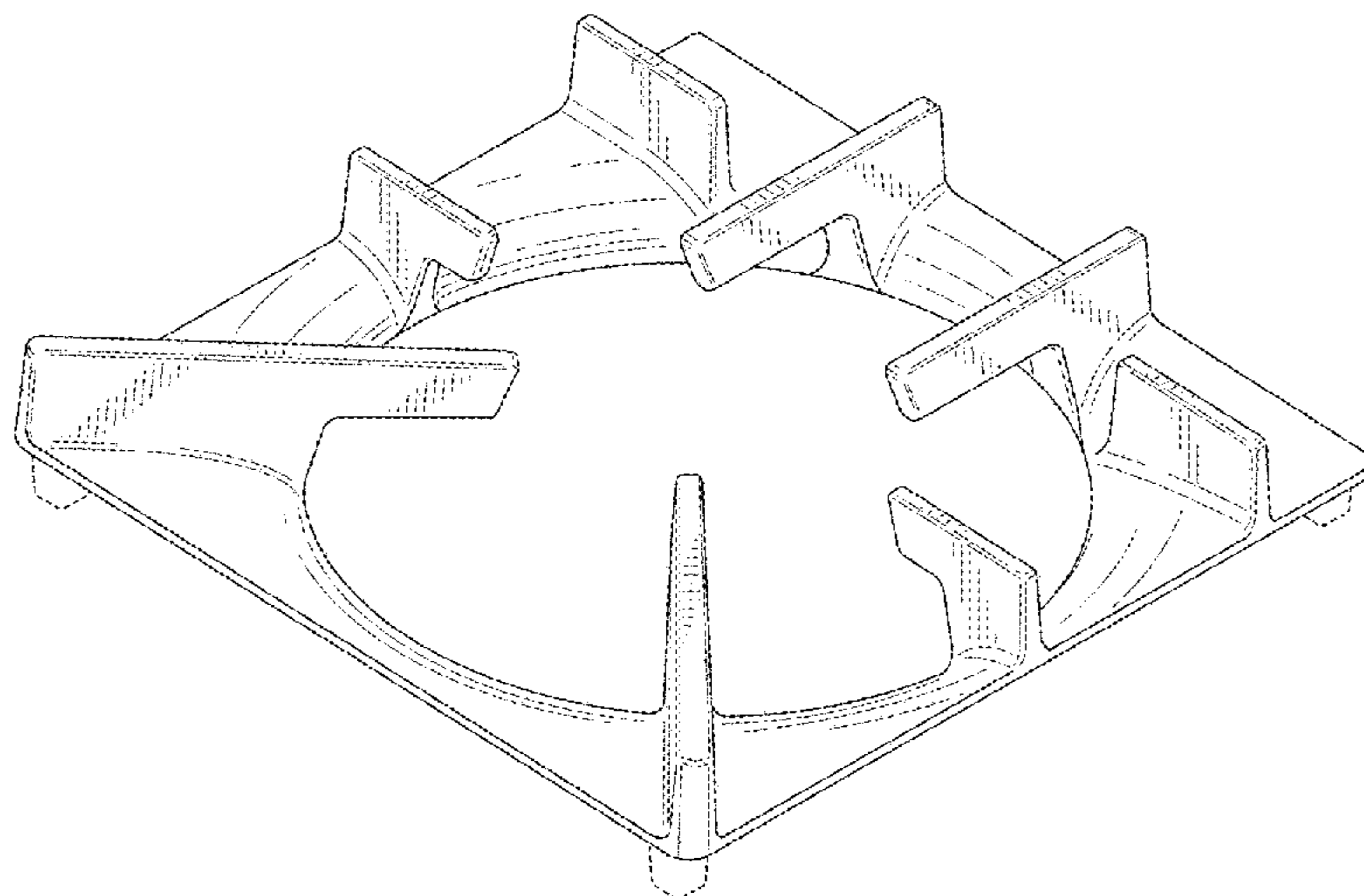
(57) **CLAIM**

The ornamental design for a cooking appliance with a burner grate, as shown and described.

**DESCRIPTION**

FIG. 1 is a front perspective view of the cooking appliance with a burner grate according to the design;  
FIG. 2 is a front perspective view of the cooking appliance with a burner grate shown in FIG. 1 with unclaimed portions of the cooking appliance and additional burner grates that are unclaimed in FIG. 1 being removed;  
FIG. 3 is a top plan view of the cooking appliance with a burner grate of FIG. 2;  
FIG. 4 is a bottom plan view thereof;  
FIG. 5 is a front elevation view thereof;  
FIG. 6 is a back elevation view thereof;  
FIG. 7 is a right side elevation view thereof; and,  
FIG. 8 is a left side elevation view thereof.  
The broken line showing of various features is for the purpose of illustrating unclaimed portions of the cooking appliance with a burner grate and forms no part of the claimed design.

**1 Claim, 6 Drawing Sheets**



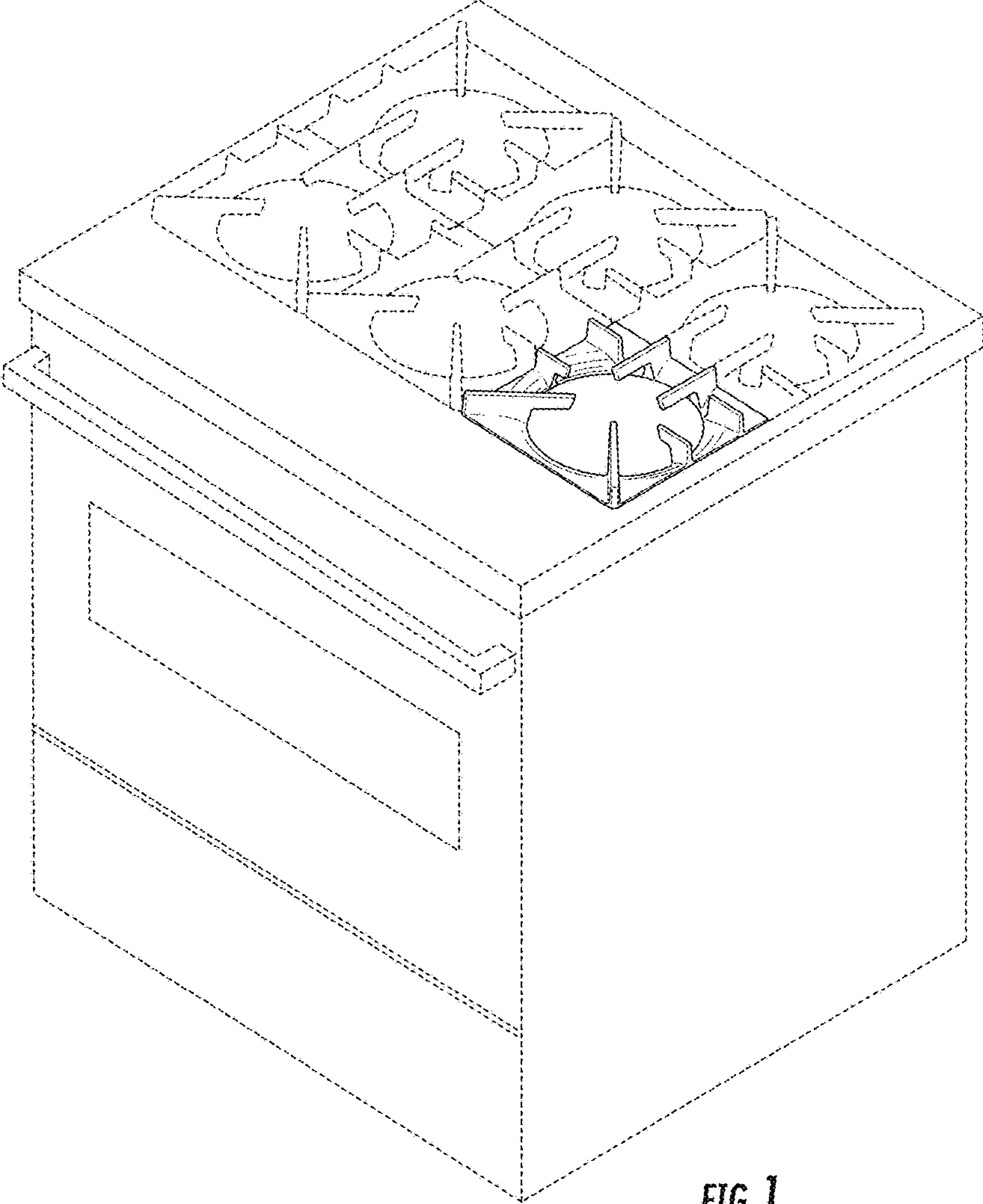


FIG. 1

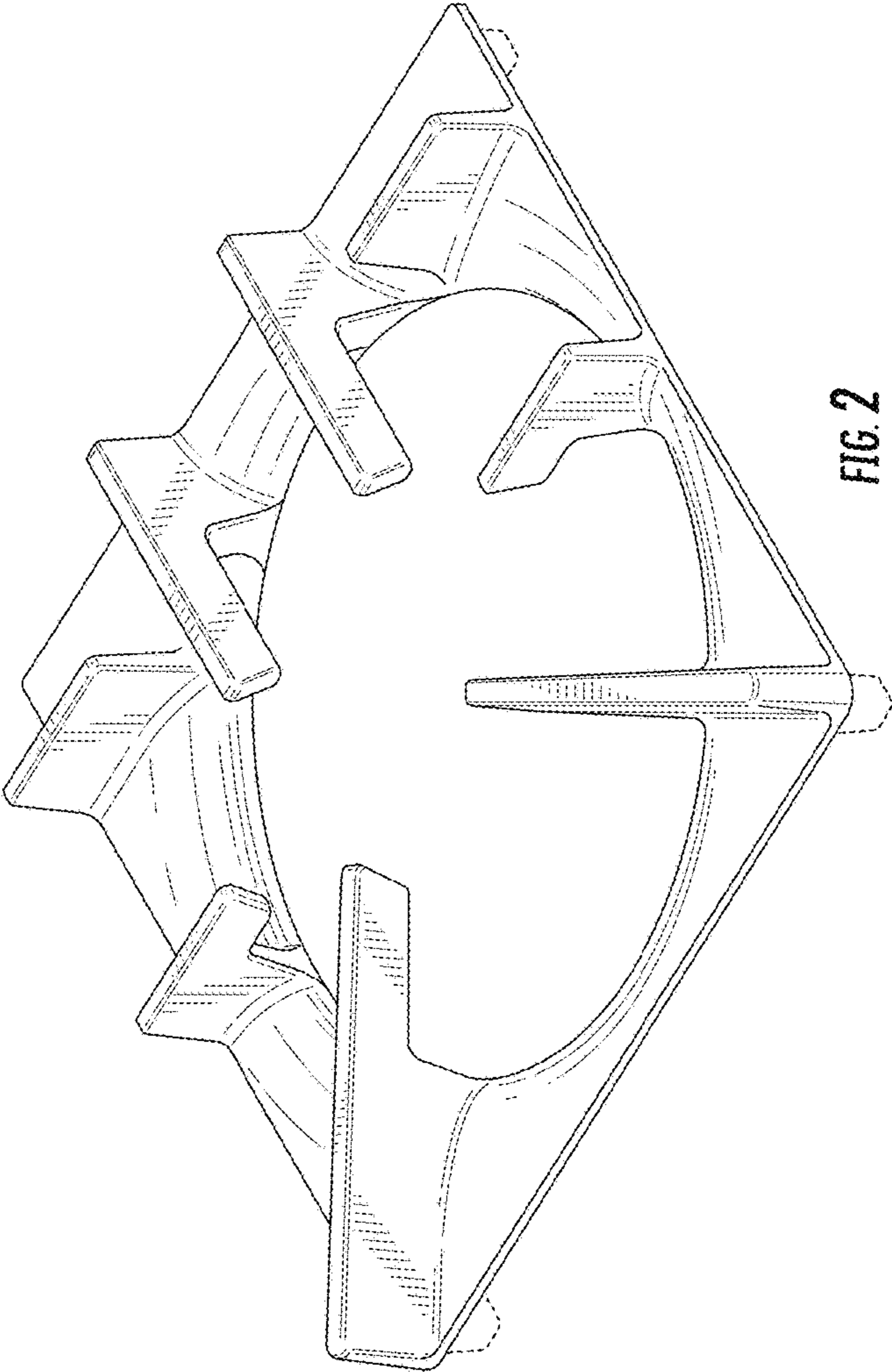


FIG. 2

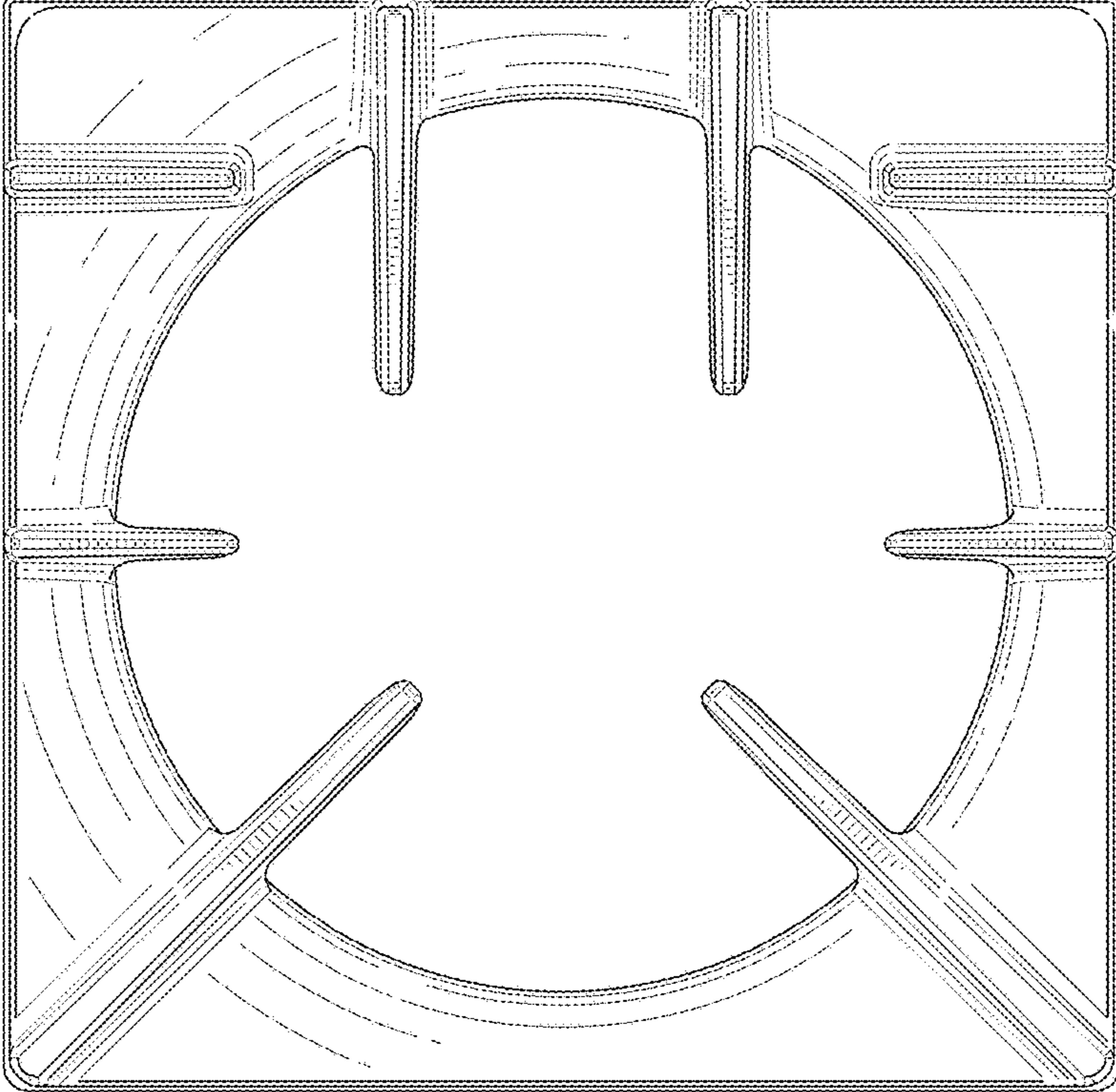


FIG. 3



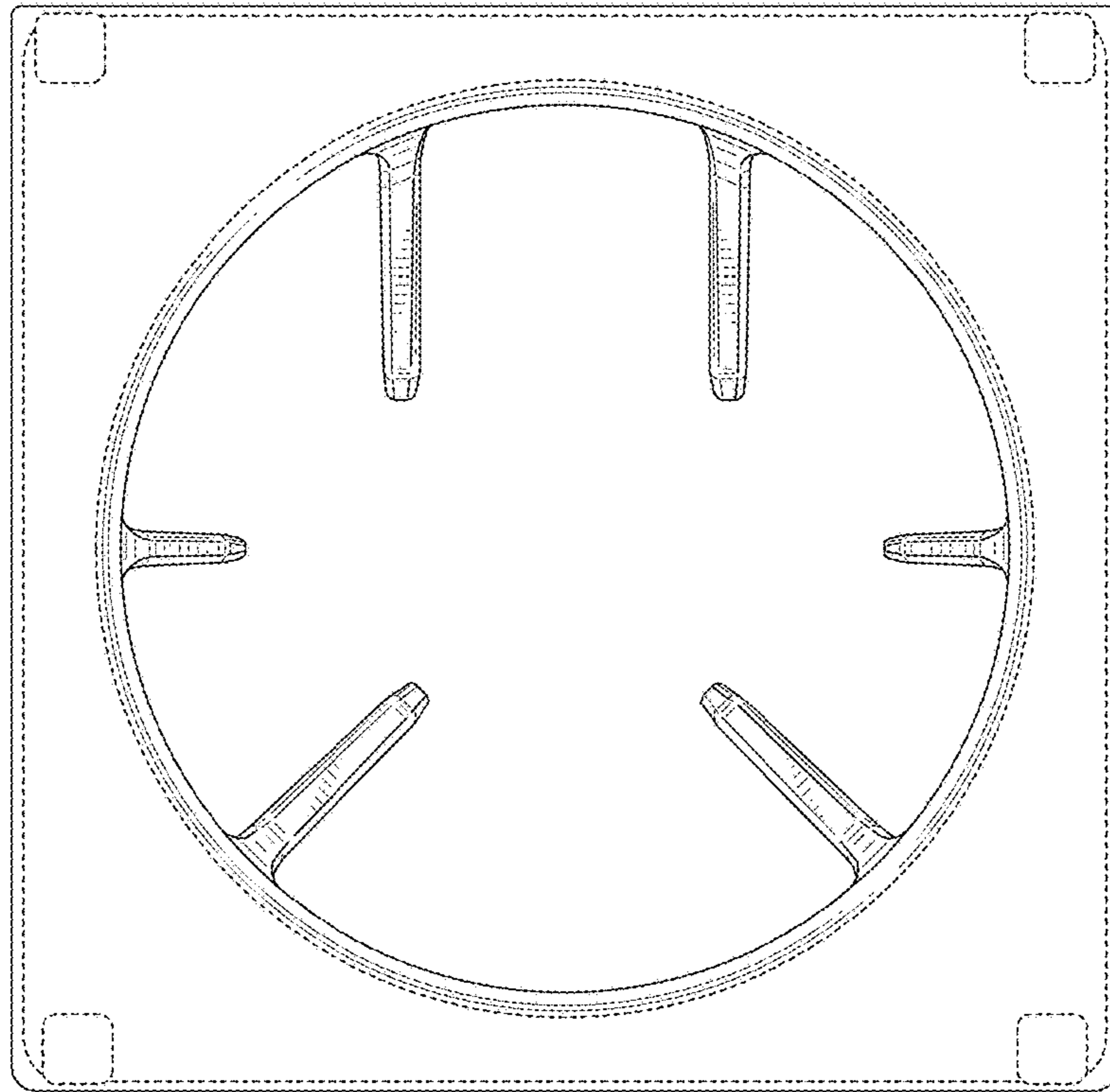


FIG. 4

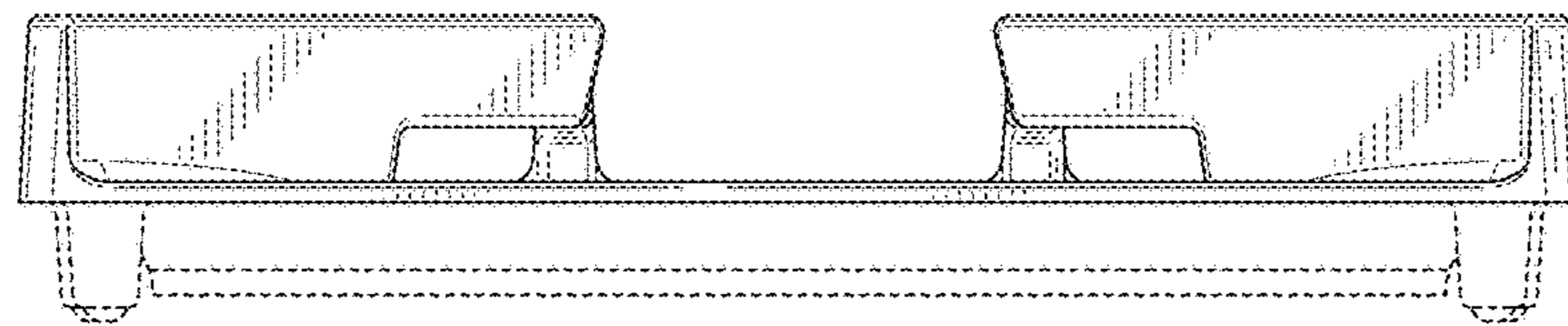


FIG. 5

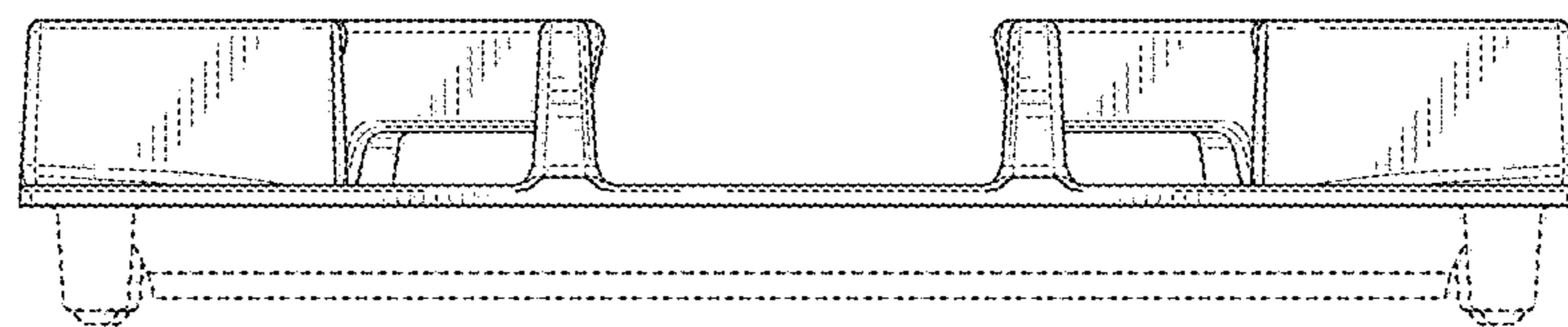


FIG. 6

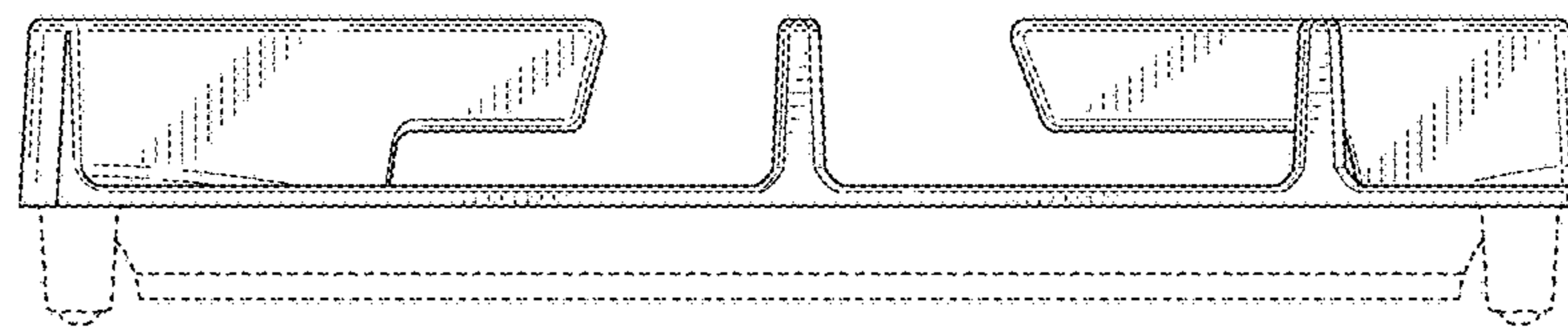


FIG. 7

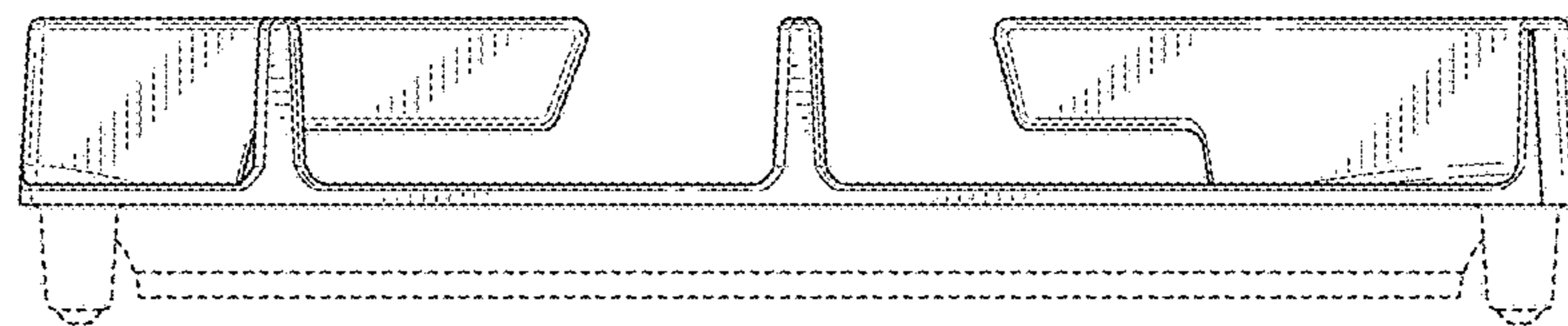


FIG. 8