



US00D853188S

(12) **United States Design Patent** (10) **Patent No.:** **US D853,188 S**
Kim et al. (45) **Date of Patent:** **** Jul. 9, 2019**

(54) **ELECTRIC OVEN RANGE**
(71) Applicant: **LG ELECTRONICS INC.,** Seoul (KR)
(72) Inventors: **Sooyeon Kim,** Seoul (KR); **Inhwan Ryu,** Seoul (KR); **Sangwoo Kim,** Seoul (KR)
(73) Assignee: **LG ELECTRONICS INC.,** Seoul (KR)
(**) Term: **15 Years**

D511,271 S * 11/2005 Grutzke D7/405
D512,603 S * 12/2005 Kim D7/406
D516,862 S * 3/2006 Grutzke D7/405
D523,685 S * 6/2006 Jung D7/340
D526,527 S * 8/2006 Jung D7/348
D527,572 S * 9/2006 Lee D7/350.1
D530,152 S * 10/2006 Pryor D7/405
D552,920 S * 10/2007 Chung D7/348
D585,697 S * 2/2009 Chung D7/351
D592,009 S * 5/2009 Crookshanks D7/405
D604,988 S * 12/2009 Yalcin D7/349
D611,755 S * 3/2010 Yalcin D7/349
D611,756 S * 3/2010 Yalcin D7/349
D612,682 S * 3/2010 Baker D7/405
D632,920 S * 2/2011 Ohmae D7/351
D639,106 S * 6/2011 Ohmae D7/351

(Continued)

(21) Appl. No.: **35/503,657**
(22) Filed: **Mar. 14, 2017**

Primary Examiner — Sheryl Lane
Assistant Examiner — Nicole C Shiflet
(74) *Attorney, Agent, or Firm* — Birch, Stewart, Kolasch & Birch, LLP

(80) **Hague Agreement Data**
Int. Filing Date: **Mar. 14, 2017**
Int. Reg. No.: **DM/095331**
Int. Reg. Date: **Mar. 14, 2017**
Int. Reg. Pub. Date: **Sep. 15, 2017**

(30) **Foreign Application Priority Data**
Sep. 22, 2016 (KR) 30-2016-0045873

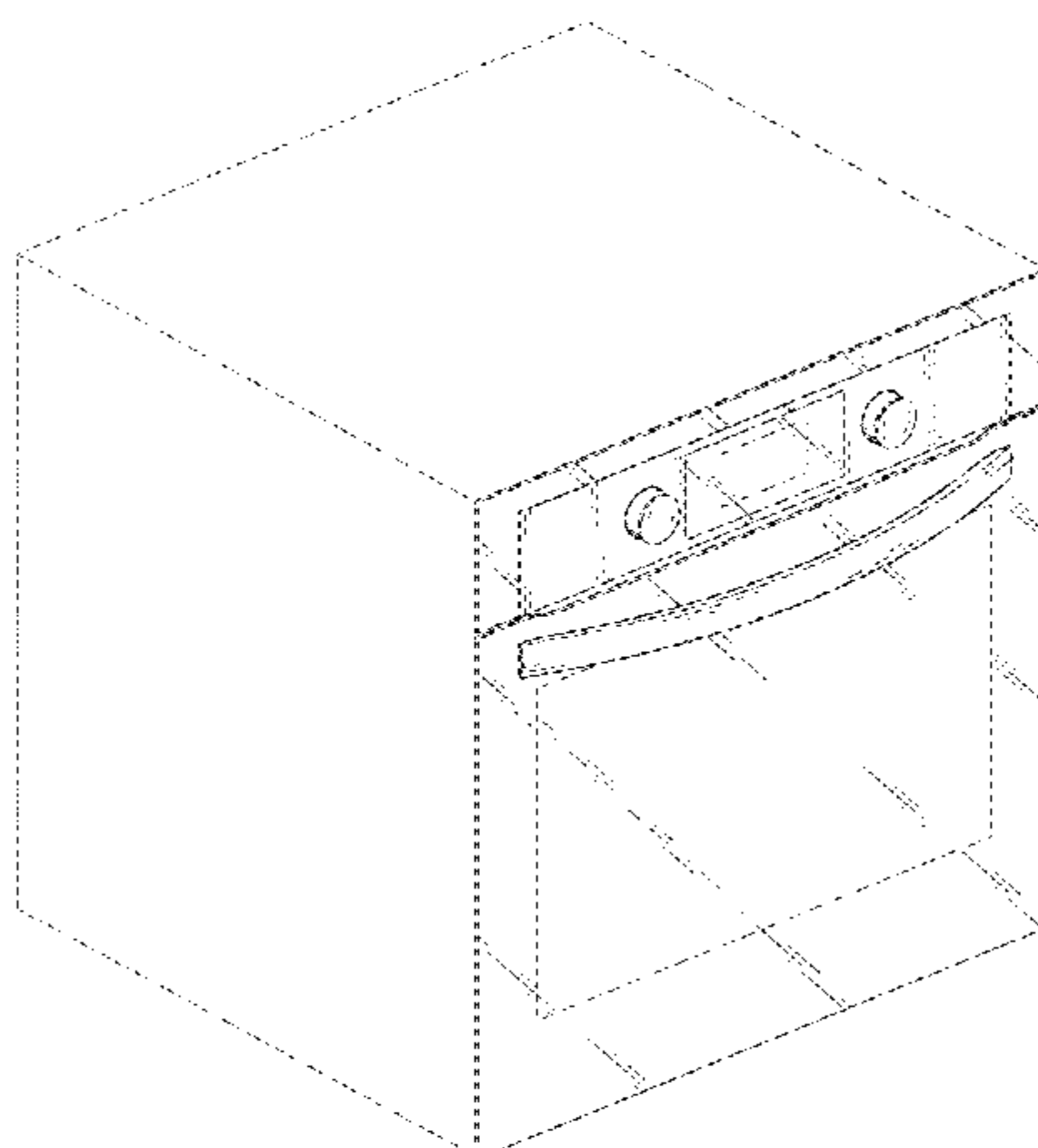
(51) **LOC (11) Cl.** **07-02**
(52) **U.S. Cl.**
USPC **D7/405**
(58) **Field of Classification Search**
USPC D7/402-408, 323, 331-335, 339-340, D7/346-349, 350.1-351
CPC .. F24C 3/00; F24C 3/002; F24C 3/008; F24C 5/00; F24C 7/00; F24C 15/02; F24C 15/024
See application file for complete search history.

(56) **References Cited**
U.S. PATENT DOCUMENTS
6,191,391 B1 * 2/2001 Deo F24C 15/18 126/273 R
D476,521 S * 7/2003 Fukuda D7/351

(57) **CLAIM**
The ornamental design for an electric oven range, as shown and described.

DESCRIPTION
1. Electric oven range
1.1 is a perspective view of an electric oven range, showing our new design;
1.2 is a front elevation view thereof;
1.3 is a rear elevation view thereof;
1.4 is a left-side elevation view thereof;
1.5 is a right-side elevation view thereof;
1.6 is a top plan view thereof;
1.7 is a bottom plan view thereof; and
1.8 is a front perspective view thereof showing the buttons in a pressed position.
The broken lines showing portions of the article form no part of the claimed design.

1 Claim, 8 Drawing Sheets



(56)

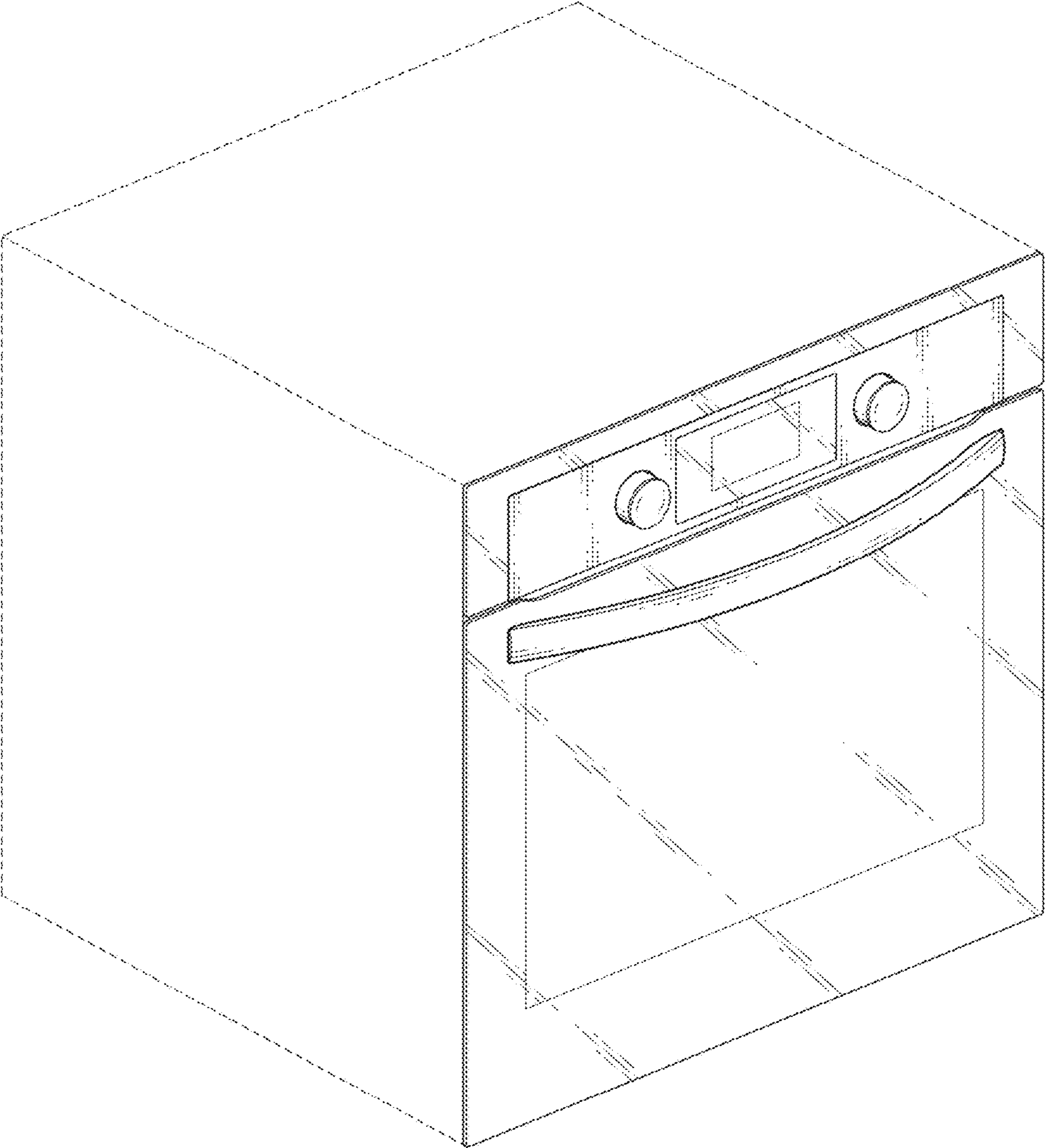
References Cited

U.S. PATENT DOCUMENTS

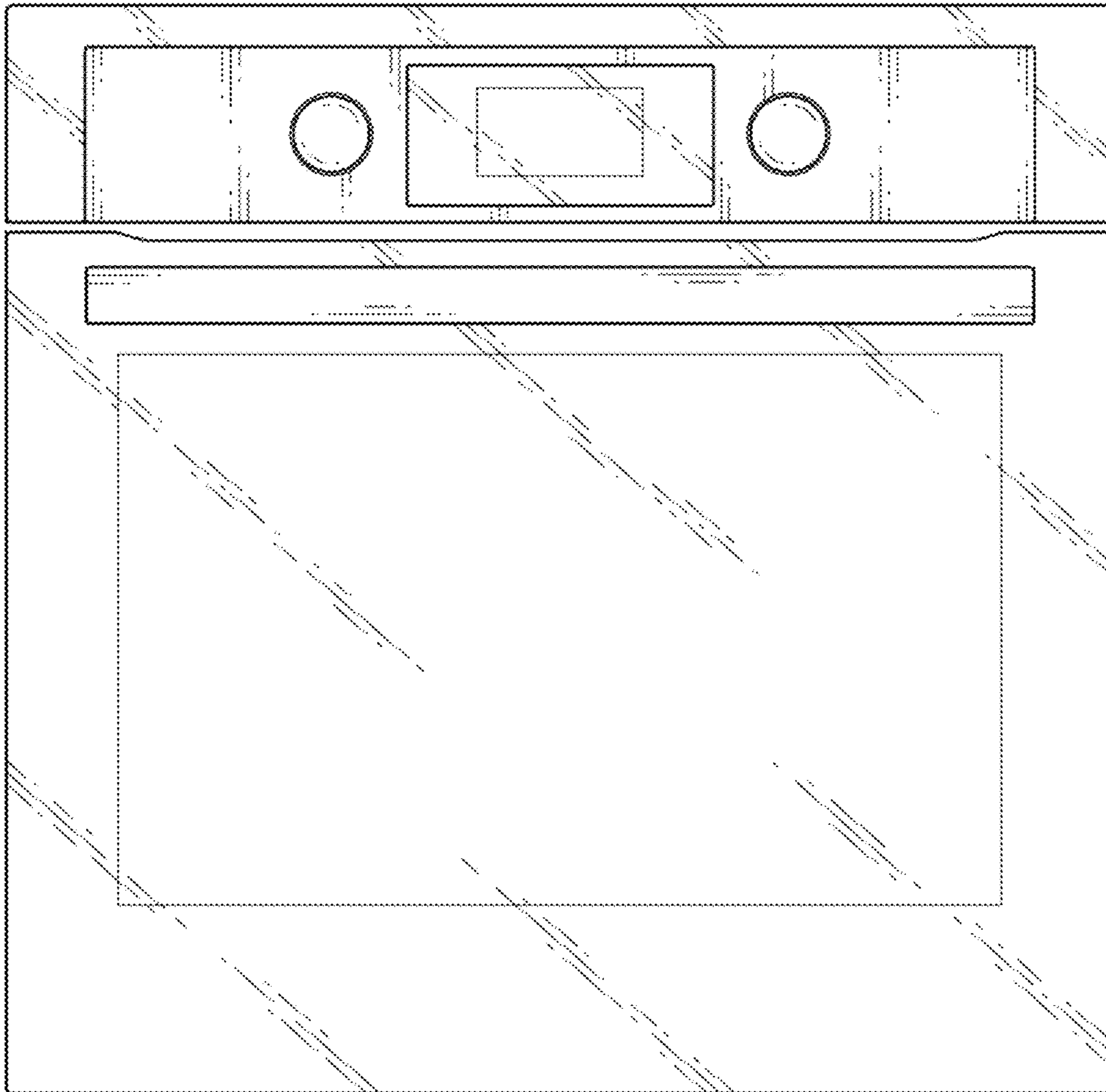
D646,112	S	*	10/2011	Park	D7/348
D646,113	S	*	10/2011	Park	D7/348
D657,607	S	*	4/2012	Ohmae	D7/351
D665,220	S	*	8/2012	Ohmae	D7/351
D665,625	S	*	8/2012	Sadtler	D7/405
D669,297	S	*	10/2012	Tanaka	D7/349
D690,158	S	*	9/2013	Baek	D7/405
D690,994	S	*	10/2013	Baek	D7/405
D700,470	S	*	3/2014	Kim	D7/351
D704,978	S	*	5/2014	Kim	D7/340
D710,646	S	*	8/2014	Borjesson	D7/349
D724,888	S	*	3/2015	Lee	D7/340
D728,300	S	*	5/2015	Borjesson	D7/349
D755,558	S	*	5/2016	Lee	D7/340
D762,086	S	*	7/2016	Kim	D7/405
D764,854	S	*	8/2016	Kim	D7/339
D781,097	S	*	3/2017	Kim	D7/348
D787,878	S	*	5/2017	Kim	D7/348
D787,879	S	*	5/2017	Kim	D7/348
D821,813	S	*	7/2018	Kim	D7/405
2009/0194092	A1	*	8/2009	Shon	F24C 15/327 126/273 R

* cited by examiner

1.1



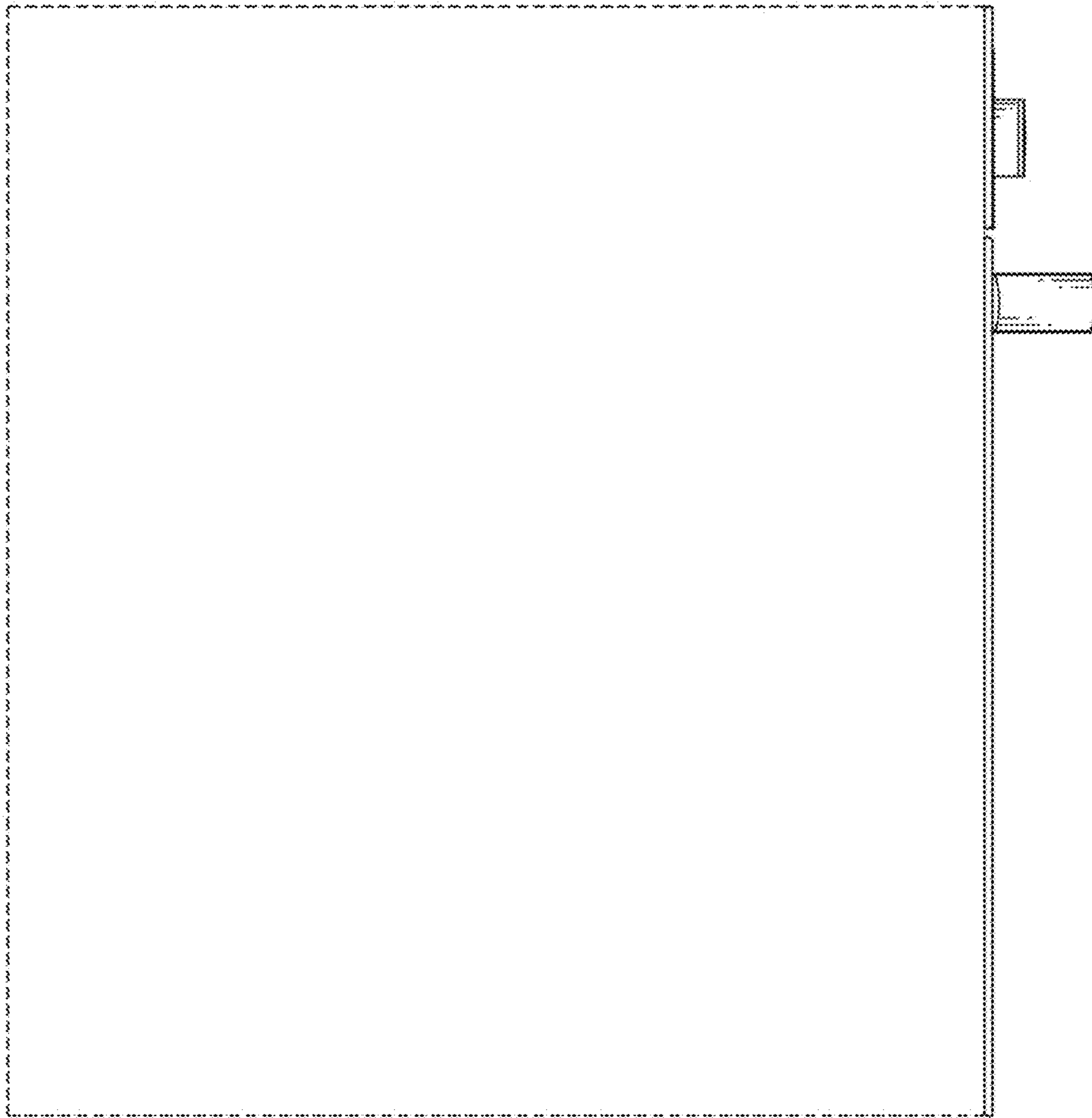
1.2



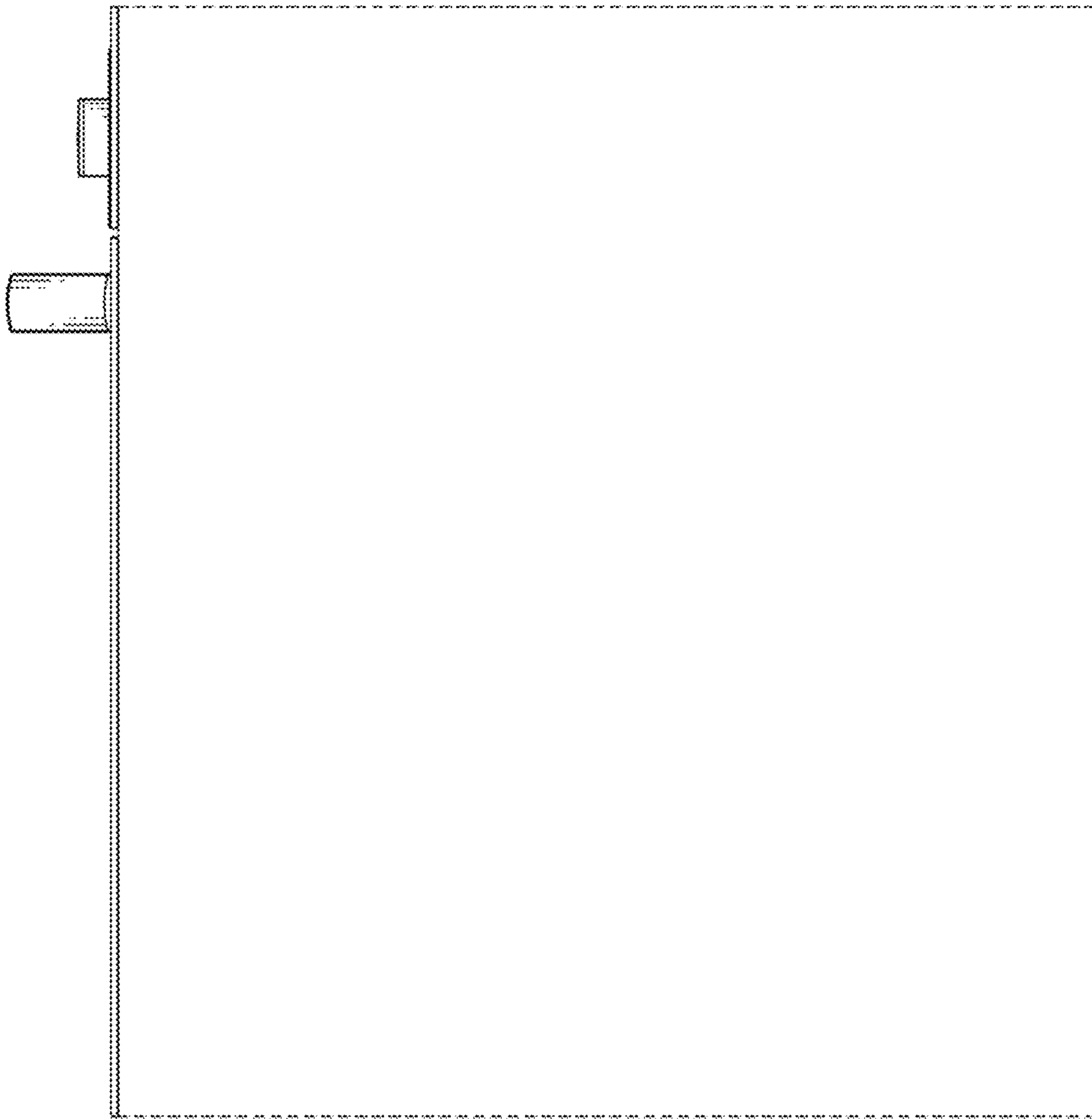
1.3



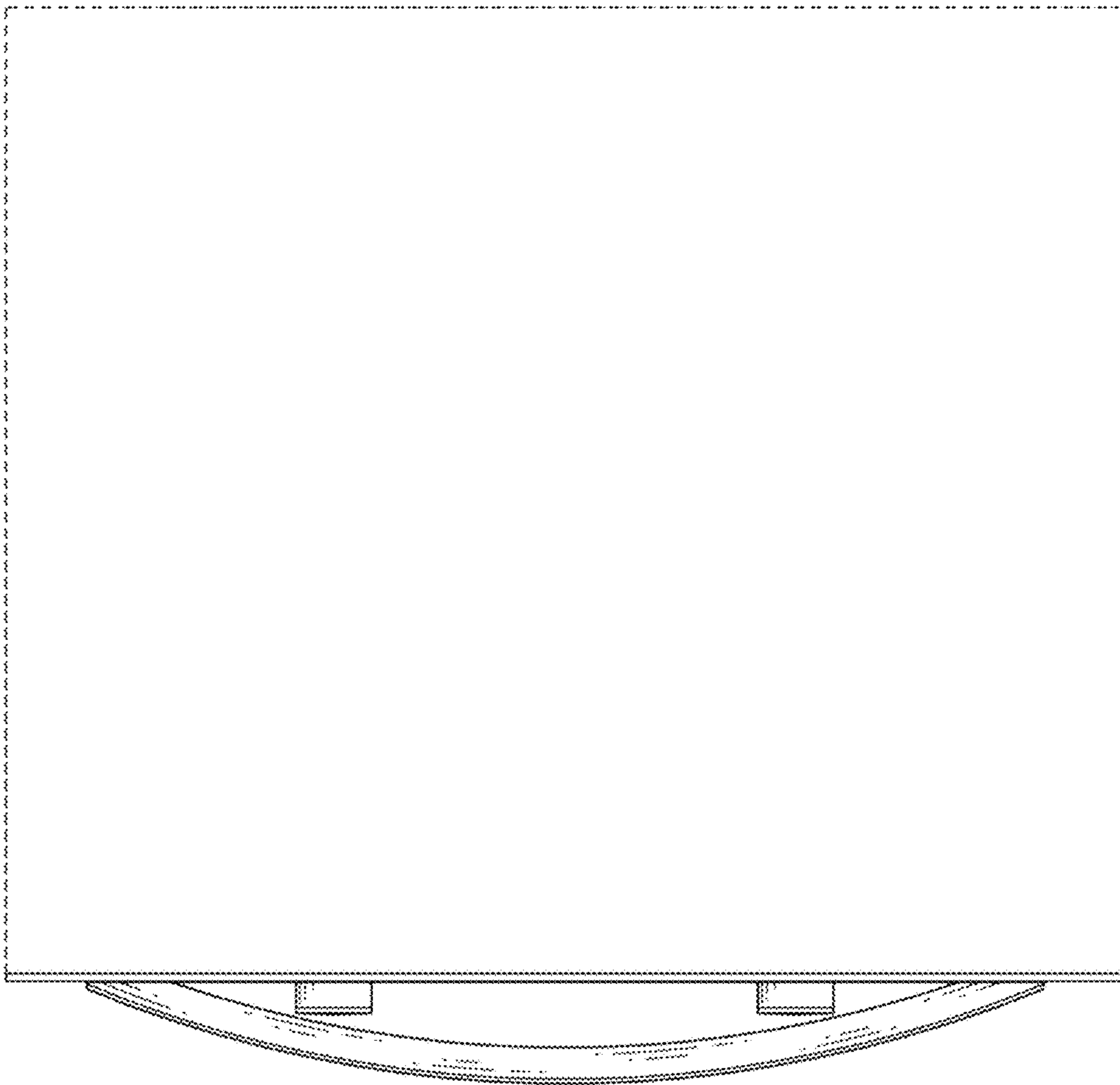
1.4



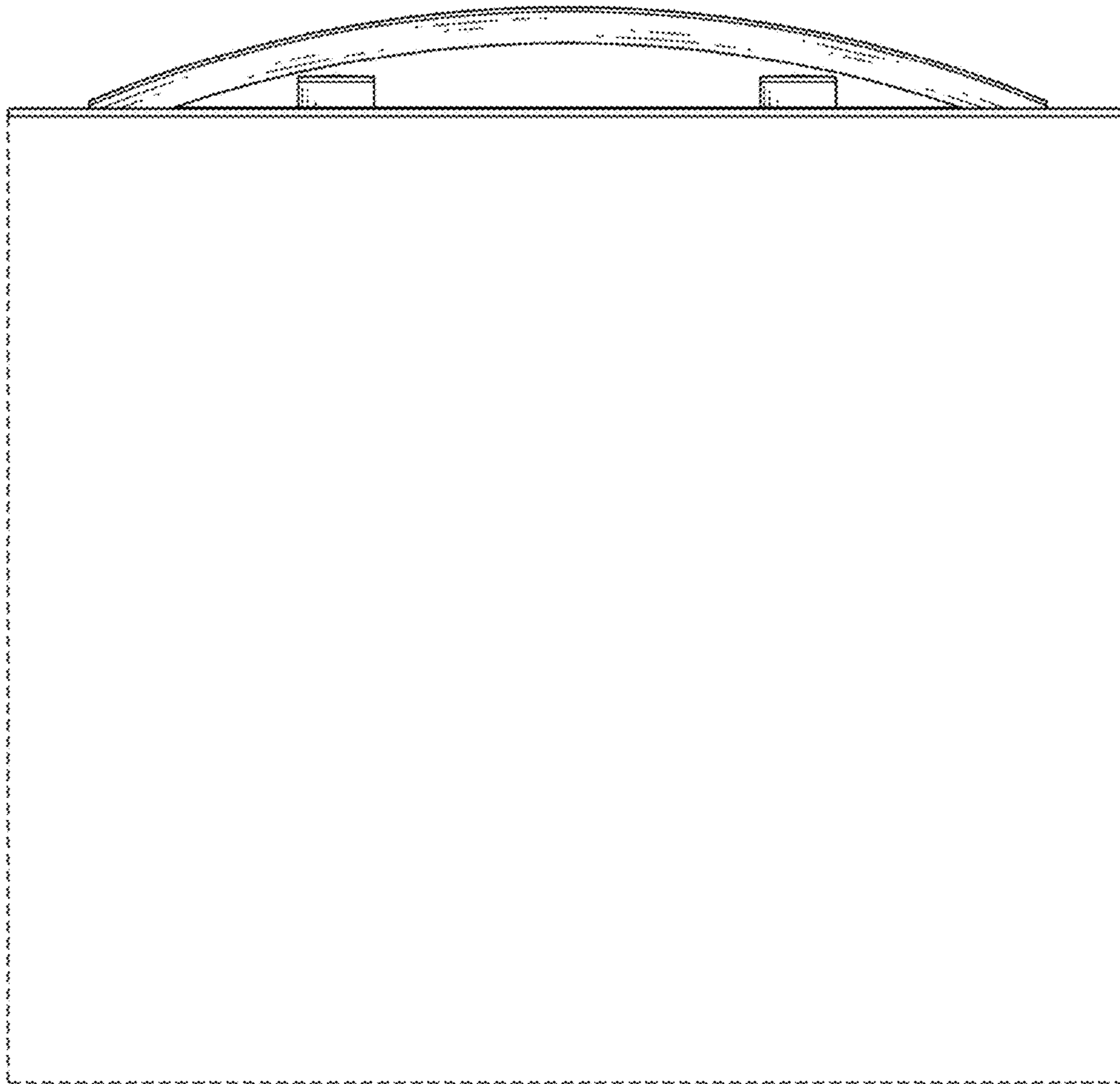
1.5



1.6



1.7



1.8

