



US00D853187S

(12) **United States Design Patent** (10) **Patent No.:** **US D853,187 S**
Berger (45) **Date of Patent:** **** Jul. 9, 2019**

- (54) **KNIFE HANDLE**
- (71) Applicant: **Ed. Wüsthof Dreizackwerk KG**, Solingen (DE)
- (72) Inventor: **Björn Berger**, Berlin (DE)
- (73) Assignee: **Ed. Wüsthof Dreizackwerk KG**, Solingen (DE)
- (**) Term: **15 Years**
- (21) Appl. No.: **29/665,911**
- (22) Filed: **Oct. 8, 2018**

Related U.S. Application Data

- (62) Division of application No. 29/607,060, filed on Jun. 9, 2017.

Foreign Application Priority Data

- Dec. 15, 2016 (EM) 003520410-0007
- Dec. 15, 2016 (EM) 003520410-0009

(51) **LOC (11) Cl.** **07-03**

(52) **U.S. Cl.**
USPC **D7/401.2; D7/649; D7/650**

(58) **Field of Classification Search**
USPC D7/393-395, 401.2, 642-652, 693, D7/695-696; D8/93, 97-100, 107, 300, D8/321; D22/117-118
CPC A01B 1/20; A01B 1/22; A22C 25/006; A47G 21/06; A47G 21/065; A61B 17/3211; A61B 17/3213; B21D 53/64; B24D 15/08; B25G 1/00; B25G 3/36; B26B 1/00; B26B 1/08; B26B 1/10; B26B 3/00; B26B 3/02; B26B 3/03; B26B 3/04; B26B 3/06; B26B 5/00; B26B 5/001; B26B 5/007; B26B 7/00; B26B 7/005; B26B 9/00; B26B 9/02; B26B 11/00; B26B 11/006; B26B 17/00; B26B 17/006; B26B 29/02

See application file for complete search history.

(56) **References Cited**

U.S. PATENT DOCUMENTS

2,059,414 A *	11/1936	Taylor	B26B 9/02
				30/355
2,142,137 A *	1/1939	Leary	B25G 1/00
				30/340
2,825,968 A *	3/1958	Baer	B26B 9/02
				30/355
5,081,770 A	1/1992	Fierthaler		
D413,232 S *	8/1999	Conner	D7/401.2
D437,739 S *	2/2001	Allen, Jr.	D7/650
D458,510 S *	6/2002	Haataja	D7/395
6,625,890 B2	9/2003	Hufnagel et al.		
D499,301 S	12/2004	Chen		
D539,082 S	3/2007	Molayem		

(Continued)

Primary Examiner — Ricky Pham

(74) *Attorney, Agent, or Firm* — Cahn & Samuels, LLP

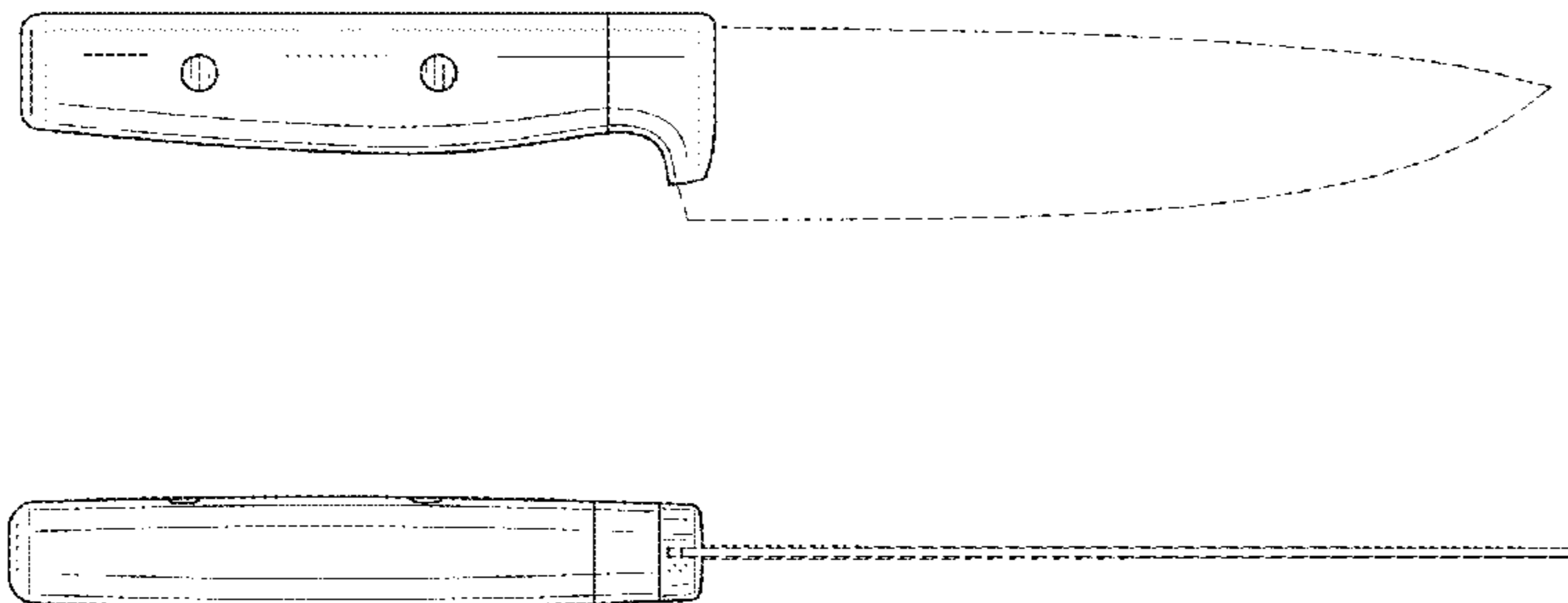
(57) **CLAIM**

The ornamental design for a knife handle, as shown and described.

DESCRIPTION

FIG. 1 is a left side view of a knife handle according to the present invention.
 FIG. 2 is a bottom view of the knife handle of FIG. 1.
 FIG. 3 is a bottom perspective view of the knife handle of FIG. 1.
 FIG. 4 is a rear view of the knife handle of FIG. 1.
 FIG. 5 is a right side view of the knife handle of FIG. 1.
 FIG. 6 is a top view of the knife handle of FIG. 1; and,
 FIG. 7 is a front view of the knife handle of FIG. 1.
 The broken line illustration of a portion of the knife blade is an environmental structure and is not part of the design sought to be claimed. Color forms no part of the design sought to be claimed.

1 Claim, 2 Drawing Sheets



(56)

References Cited

U.S. PATENT DOCUMENTS

D539,616 S	4/2007	Taylor et al.	
D553,916 S	10/2007	Ono	
D557,081 S	12/2007	Hadj-Chikh et al.	
D624,369 S	9/2010	Gerlach	
D632,934 S	2/2011	Thun	
D633,345 S	3/2011	Ranieri	
D643,258 S	8/2011	Spiegel	
D643,263 S	8/2011	Spiegel	
D649,411 S	11/2011	Lo	
D649,841 S	12/2011	Lo	
D661,553 S	6/2012	Bauer	
D674,670 S	1/2013	Thun	
D706,085 S	6/2014	Tarrerias	
D710,158 S	8/2014	Berger	
D749,915 S	2/2016	Hass	
D764,867 S	8/2016	Haas	
D770,849 S	11/2016	de la Coussaye	
D770,850 S *	11/2016	Keating	D7/401.2
D773,886 S	12/2016	McConnell et al.	
D773,891 S	12/2016	Liu	
D792,151 S	7/2017	Berger	
D807,696 S	1/2018	Liu	
D809,339 S	2/2018	Lo	
D815,897 S *	4/2018	Insler	D7/401.2
D824,724 S *	8/2018	Go	B25G 1/00 D7/401.2
D826,635 S *	8/2018	Go	B26B 9/02 D7/401.2
D838,136 S *	1/2019	Liu	B26B 9/02 D7/401.2
D838,545 S *	1/2019	Liu	D7/401.2
2002/0144410 A1 *	10/2002	Hufnagel	B24D 15/08 30/344

* cited by examiner

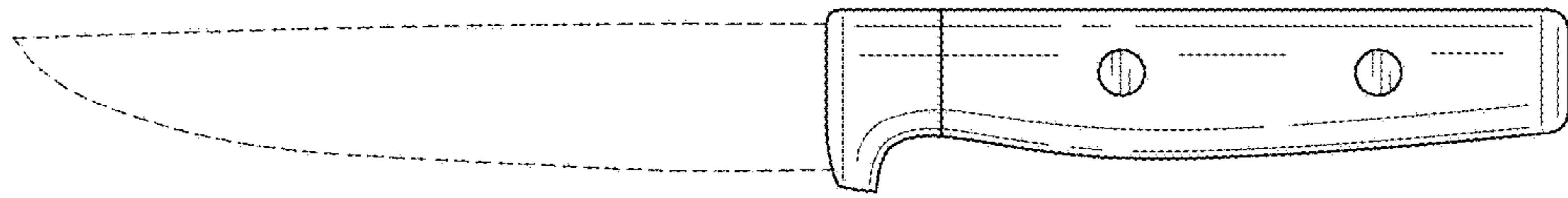


FIG. 1

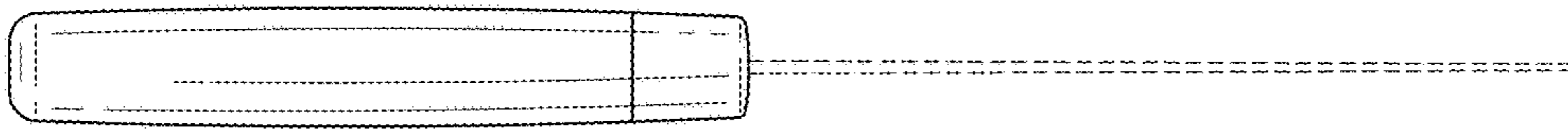


FIG. 2

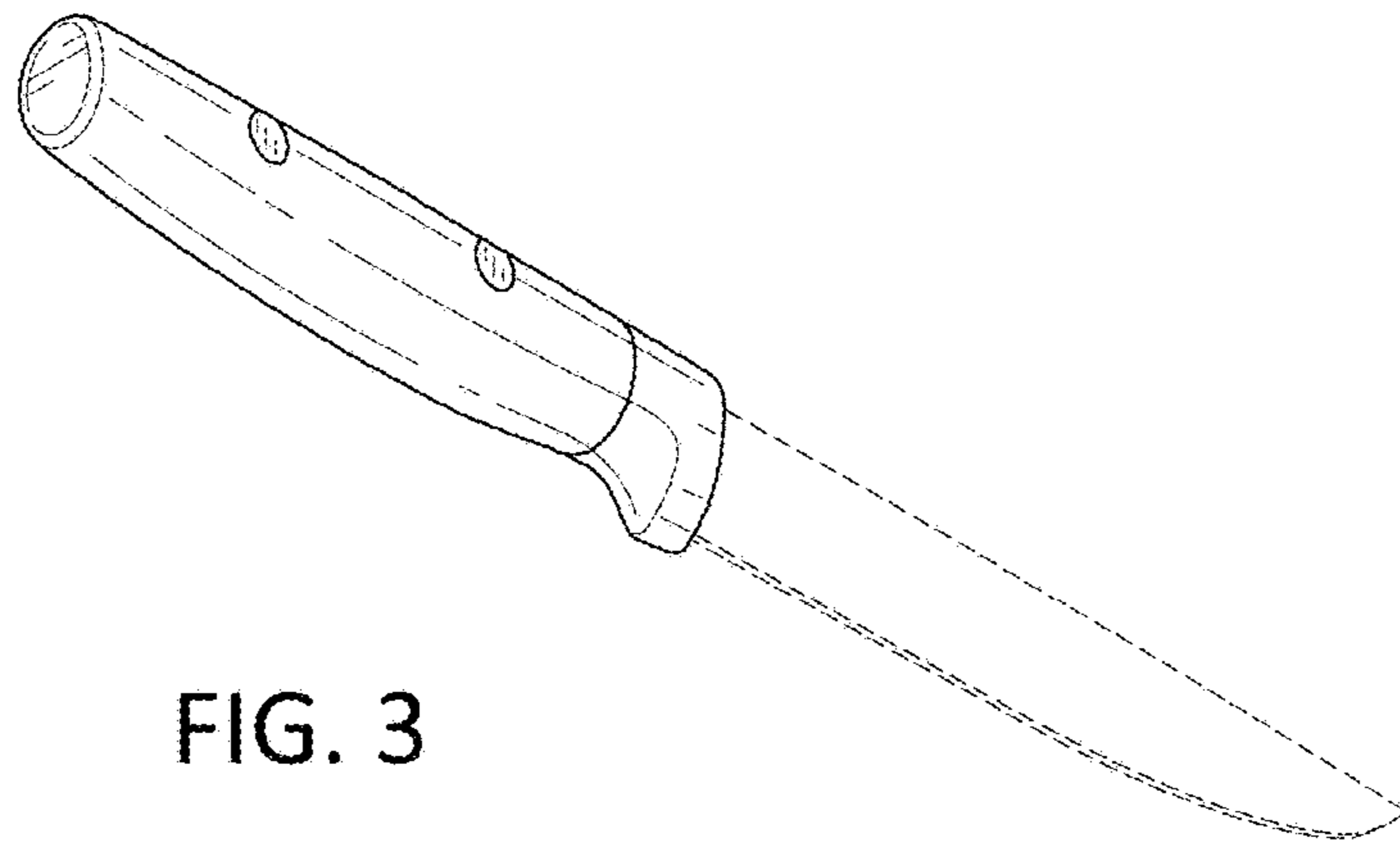


FIG. 3

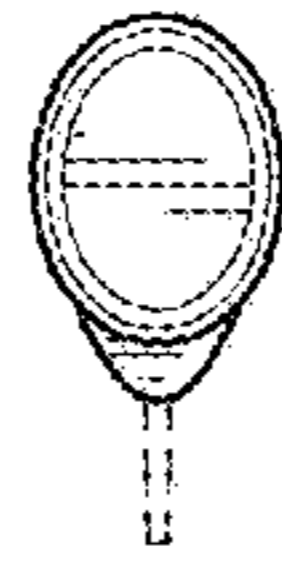


FIG. 4

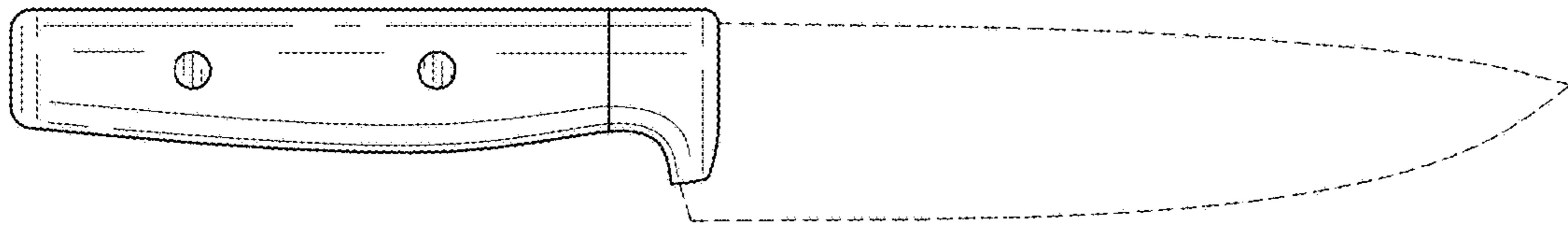


FIG. 5

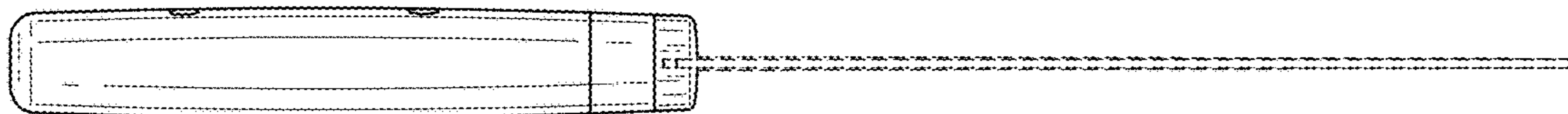


FIG. 6

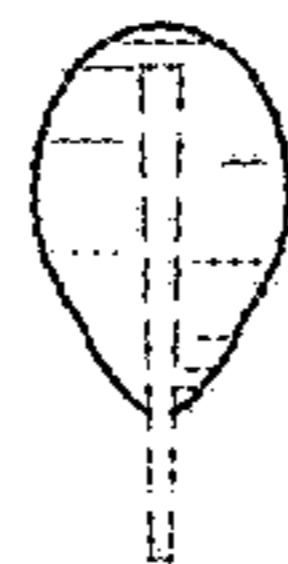


FIG. 7