



US00D853186S

(12) **United States Design Patent**  
**Gebhardt**

(10) **Patent No.:** **US D853,186 S**  
(45) **Date of Patent:** **\*\* Jul. 9, 2019**

(54) **WATER TANK FOR A COFFEE MACHINE  
OR THE LIKE**

(71) Applicant: **JURA ELEKTROAPPARATE AG,**  
Niederbuchsiten (CH)

(72) Inventor: **Lutz Gebhardt,** Zug (CH)

(73) Assignee: **JURA ELEKTROAPPARATE AG,**  
Niederbuchsiten (CH)

(\*\*) Term: **15 Years**

(21) Appl. No.: **29/630,842**

(22) Filed: **Dec. 22, 2017**

(30) **Foreign Application Priority Data**

Jun. 29, 2017 (WO) ..... DM/096848

(51) **LOC (11) Cl.** ..... **07-99**

(52) **U.S. Cl.**  
USPC ..... **D7/399**

(58) **Field of Classification Search**

USPC ..... D7/397, 400, 601, 602, 619.1; D9/430;  
D14/242, 356, 348, 349

CPC ..... A47J 31/005; A47J 31/057; A47G 19/16;  
H04W 88/00; H04W 88/08

See application file for complete search history.

(56) **References Cited**

**U.S. PATENT DOCUMENTS**

863,054 A 8/1907 Dickerson  
D76,670 S 10/1928 Dawson  
D78,014 S 3/1929 Dunbar  
D85,152 S 9/1931 Beatty  
D119,863 S 4/1940 Lundy  
D211,037 S 5/1968 Benes

(Continued)

**OTHER PUBLICATIONS**

“Jura Water Tank Giga 5 | Shop Jura Parts” [retrieved Jan. 27, 2017]. Retrieved from the Internet: <<https://www.shopjumparts.com/products/jura-water-tank-giga-5>>. (dated 2017) 4 pages.

(Continued)

*Primary Examiner* — Derrick E Holland

*Assistant Examiner* — Andrew Kerr

(74) *Attorney, Agent, or Firm* — Alston & Bird LLP

(57) **CLAIM**

I claim the ornamental design for a water tank for a coffee machine or the like, as shown and described.

**DESCRIPTION**

FIG. 1 is a perspective view of a water tank for a coffee machine or the like showing a first embodiment of our new design;

FIG. 2 is another perspective view thereof;

FIG. 3 is a right side elevation view thereof;

FIG. 4 is a left side elevation view thereof;

FIG. 5 is a front elevation thereof;

FIG. 6 is a rear elevation view thereof;

FIG. 7 is a top plan view thereof;

FIG. 8 is a bottom plan view thereof;

FIG. 9 is a perspective view of a water tank for a coffee machine or the like showing a second embodiment of our new design;

FIG. 10 is another perspective view thereof;

FIG. 11 is a right side elevation view thereof;

FIG. 12 is a left side elevation view thereof;

FIG. 13 is a front elevation thereof;

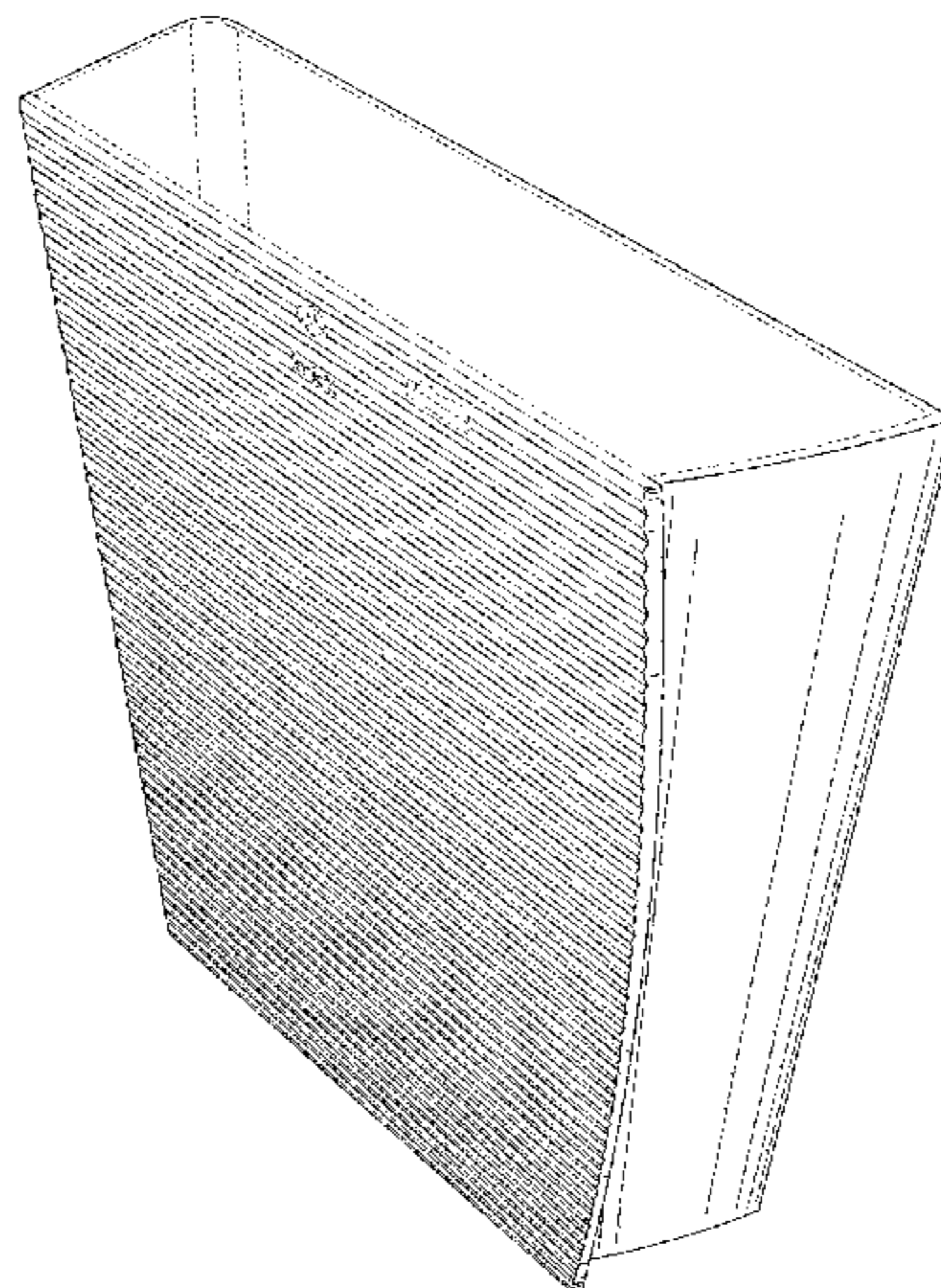
FIG. 14 is a rear elevation view thereof;

FIG. 15 is a top plan view thereof; and,

FIG. 16 is a bottom plan view thereof.

The broken lines shown in the figure drawings is for the purpose of illustrating portions of the water tank for a coffee machine or the like only and form no part of the claimed design.

**1 Claim, 12 Drawing Sheets**



(56)

References Cited

U.S. PATENT DOCUMENTS

D212,496 S 10/1968 Cooper  
 D230,187 S 1/1974 Schultz  
 D297,089 S 8/1988 West  
 D317,301 S \* 6/1991 Ivester ..... D14/349  
 5,100,017 A 3/1992 Ishinabe et al.  
 D349,834 S 8/1994 Zivin  
 D423,879 S 5/2000 Lin  
 D431,557 S \* 10/2000 Lutz, Jr. .... D14/242  
 D456,672 S 5/2002 Bodum  
 D480,271 S 10/2003 Lin  
 D482,612 S 11/2003 Hager et al.  
 D530,140 S 10/2006 Macler et al.  
 D541,915 S \* 5/2007 Bates ..... D23/313  
 D593,796 S \* 6/2009 Kevan ..... D34/1  
 D599,159 S 9/2009 Stein  
 D607,698 S 1/2010 Tsukida  
 D626,852 S 11/2010 Kruetzkamp et al.  
 D662,008 S 6/2012 Harhman  
 D667,673 S 9/2012 Stein  
 D677,100 S 3/2013 Amundson  
 D685,599 S 7/2013 Miller et al.  
 D698,603 S 2/2014 Huckestein  
 D702,218 S \* 4/2014 Wu ..... D14/242  
 D715,100 S 10/2014 Eyal  
 D722,828 S 2/2015 Shamoan et al.  
 D726,500 S 4/2015 Ke  
 D727,784 S 4/2015 Siman-Tov et al.  
 D729,012 S 5/2015 Ke  
 D756,706 S 5/2016 Kushner  
 D756,707 S 5/2016 Hsu  
 D769,047 S 10/2016 Hsu  
 D796,264 S 9/2017 Bo

D802,367 S 11/2017 Lee  
 D808,727 S 1/2018 Bo  
 D820,418 S \* 6/2018 Schlag ..... D23/318  
 2013/0306630 A1 11/2013 Babinsky et al.

OTHER PUBLICATIONS

“Impressa XS90—USA” [retrieved Jan. 27, 2017]. Retrieved from the Internet: <<https://us.jura.com/en/professional/machines/IMPRESSA-X590-OT-UL-13429>>. (dated 2017) 2 pages.  
 “Z6—USA” [retrieved Jan. 27, 2017]. Retrieved from the Internet: <<https://us.jura.com/en/homeproducts/machines/Z6-Alu-UL-15093>>. (dated 2017) 2 pages.  
 “Giga X7 Professional—USA” [retrieved Jan. 27, 2017]. Retrieved from the Internet: <<https://www.jura.com/en/professional/machines/GIGA-X7-Professional-13585>>. (dated 2017) 2 pages.  
 “Giga X9 Professional—International” [retrieved Jan. 27, 2017]. Retrieved from the Internet: <<https://www.jura.com/en/professional/machines/GIGA-X9-Professional-13600>>. (dated 2017) 2 pages.  
 Design U.S. Appl. No. 29/580,360, first named inventor Lutz Gebhardt, entitled “Coffee Machine,” filed Oct. 7, 2016, 28 pages.  
 Design U.S. Appl. No. 29/580,356, first named inventor Lutz Gebhardt, entitled “Coffee Machine,” filed Oct. 7, 2016, 27 pages.  
 Design U.S. Appl. No. 29/489,933, first named inventor Ronald Büttler, entitled “Coffee Machine,” filed May 5, 2014, 22 pages.  
 Design U.S. Appl. No. 29/587,005, first named inventor Ronald Büttler, entitled “Water Tank for Coffee Machine or the Like,” filed Dec. 8, 2016, 12 pages.  
 Design U.S. Appl. No. 29/599,908, first named inventor Ronald Büttler, entitled “Water Tank for a Coffee Machine or the Like,” filed Apr. 7, 2017, 10 pages.

\* cited by examiner



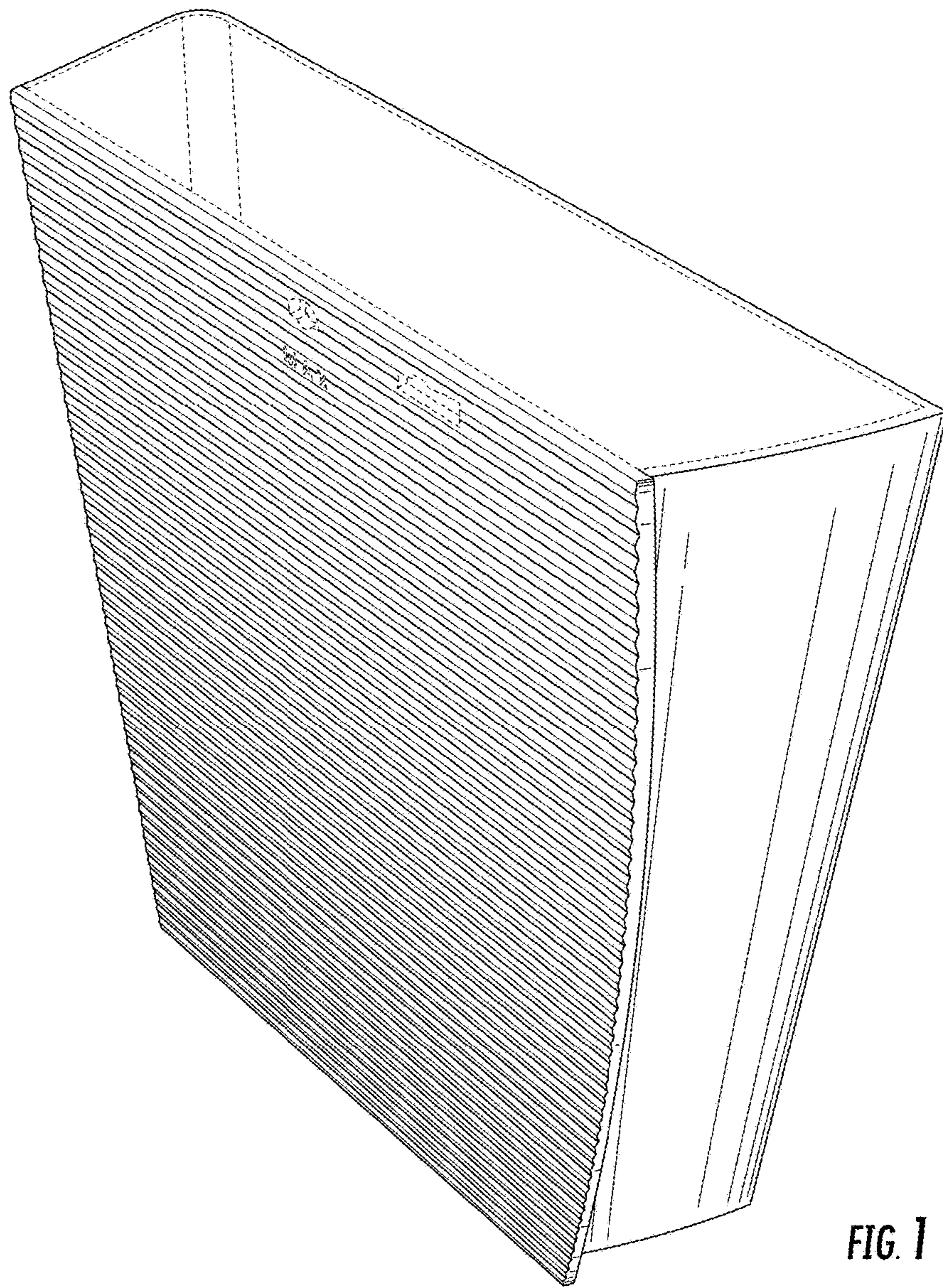


FIG. 1

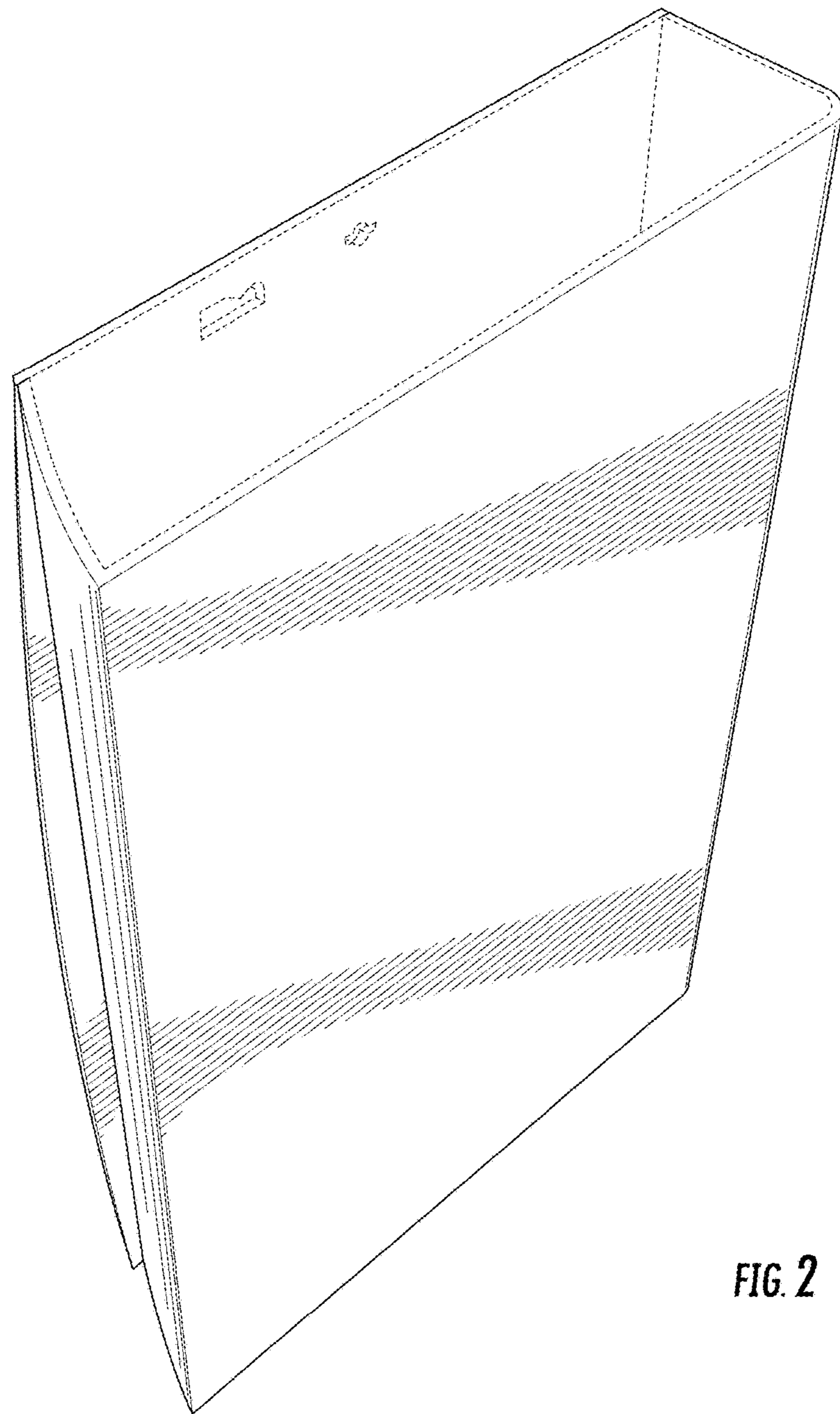


FIG. 2

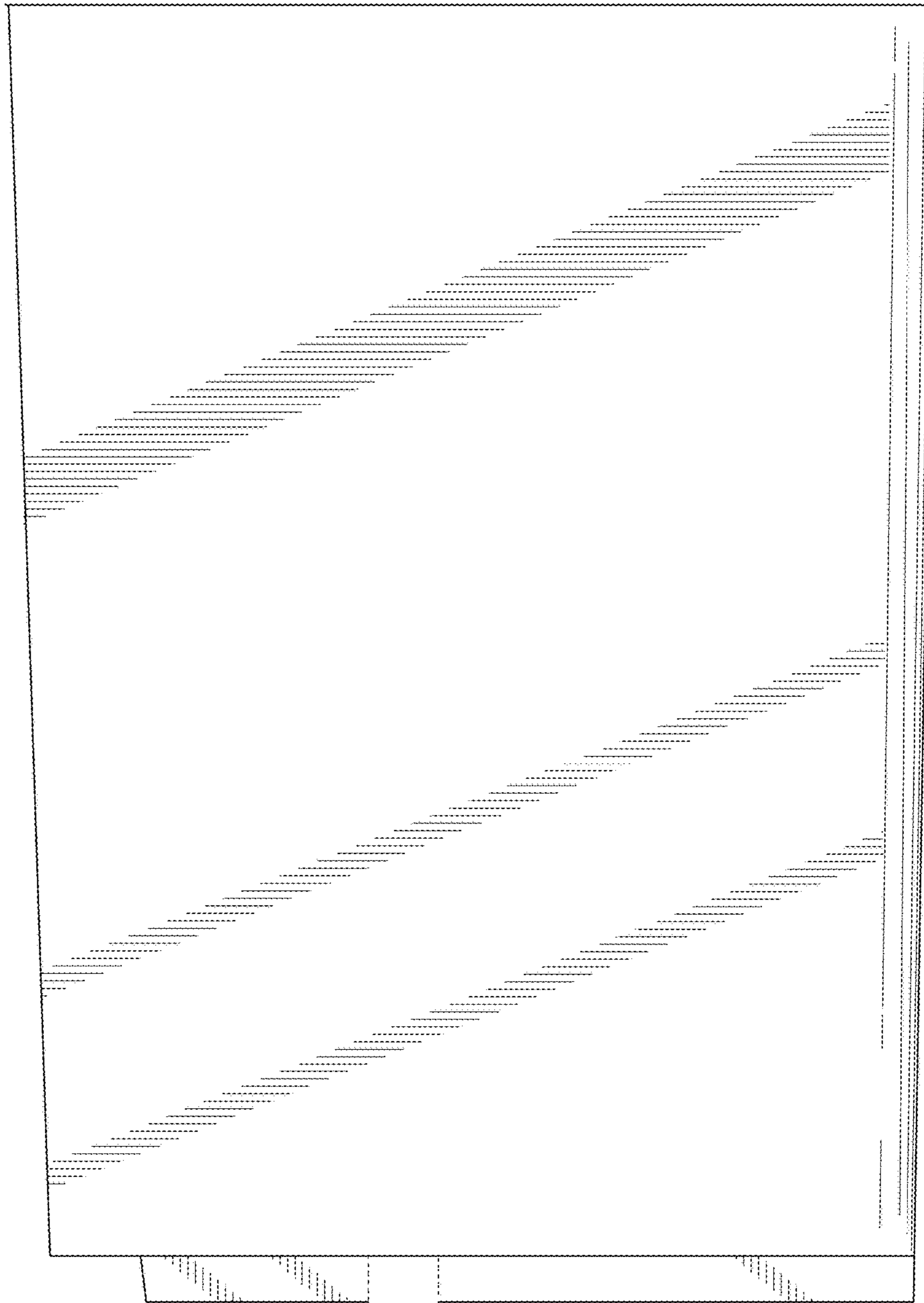


FIG. 3



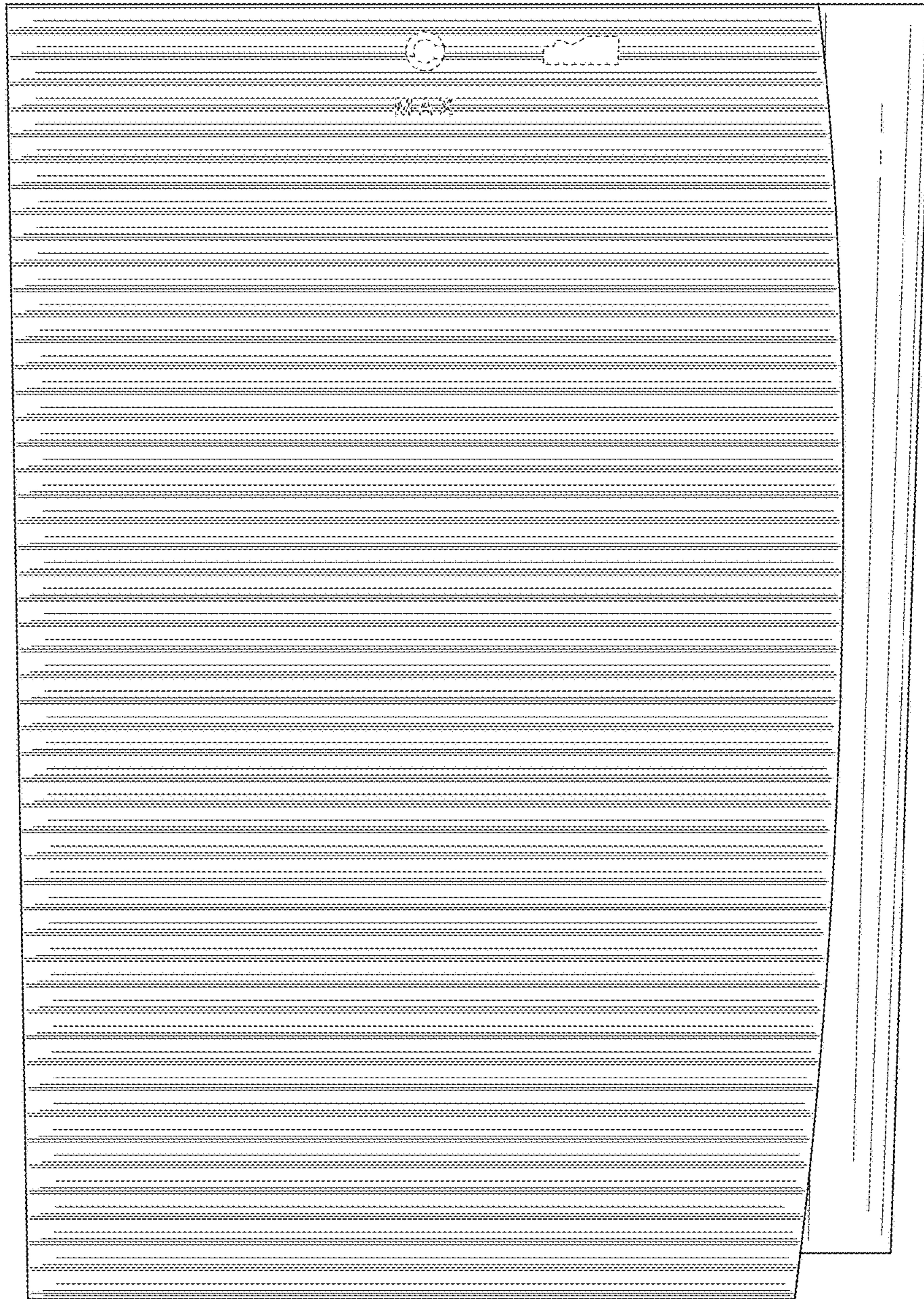


FIG. 4

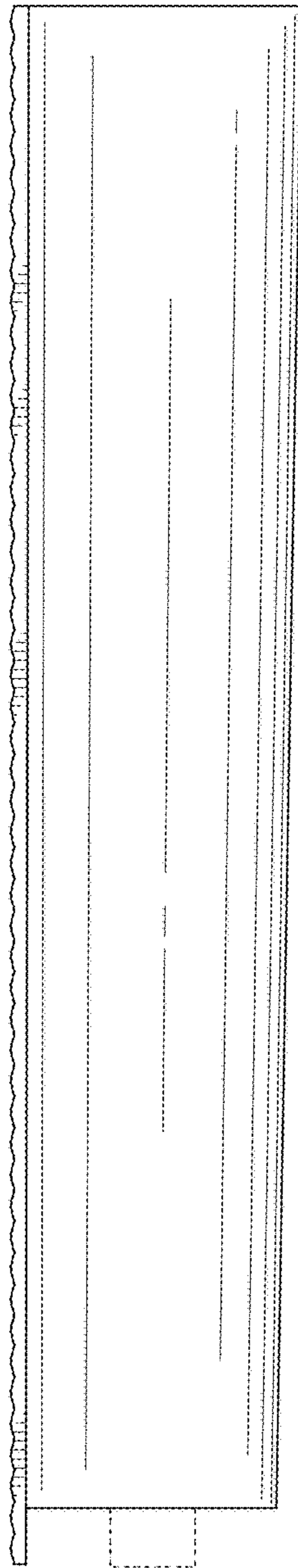


FIG. 5

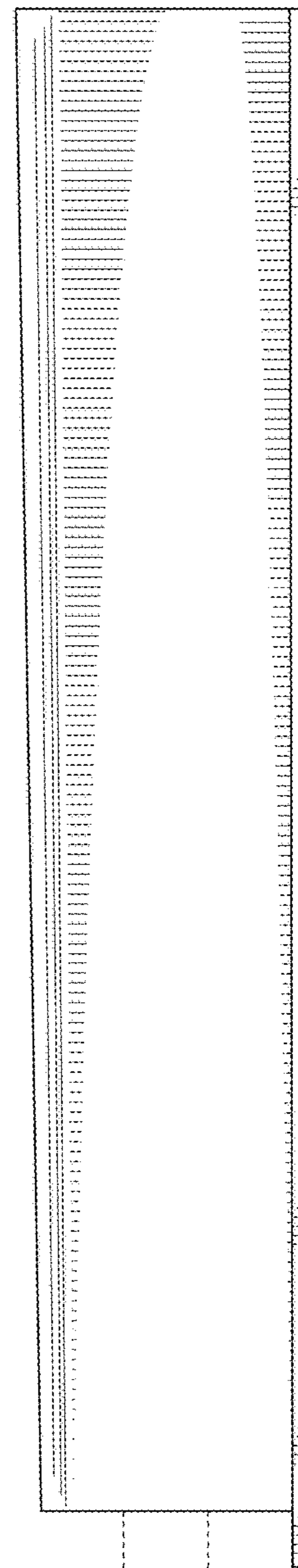


FIG. 6

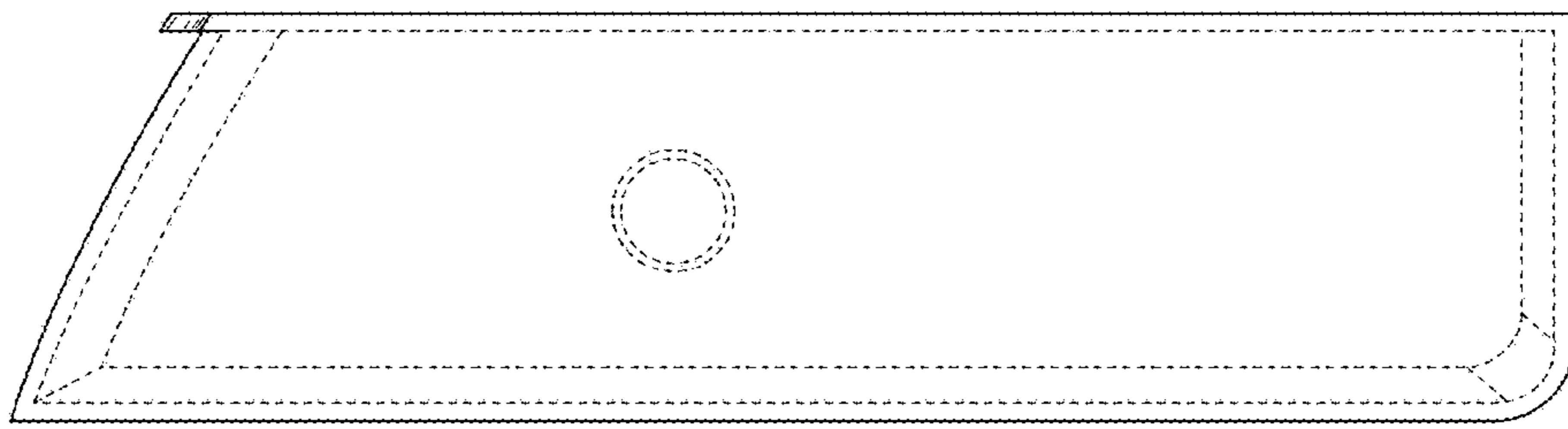


FIG. 7

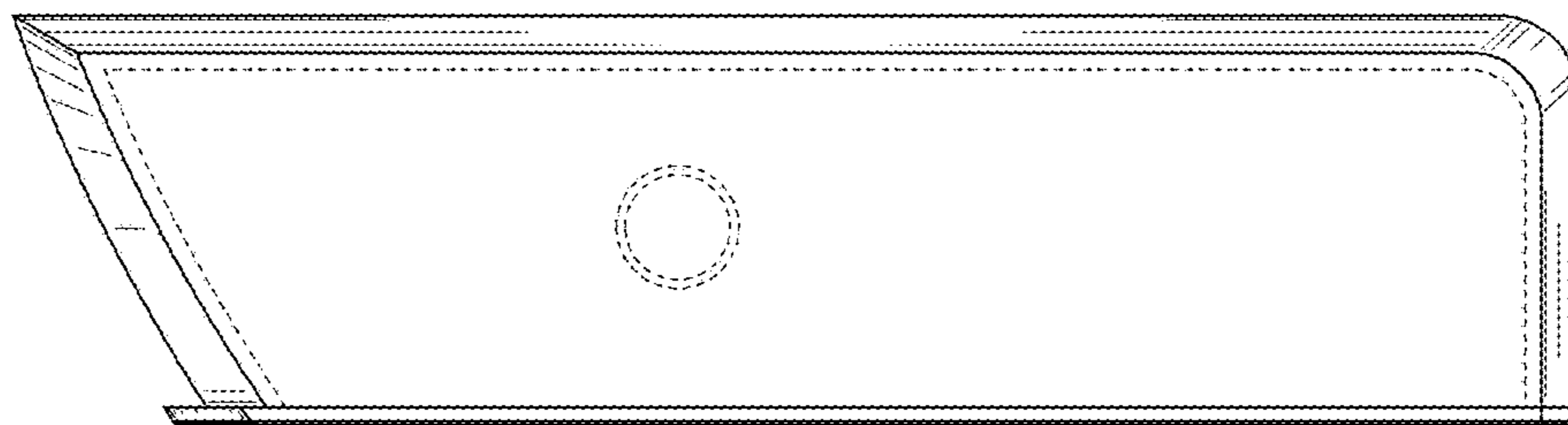


FIG. 8



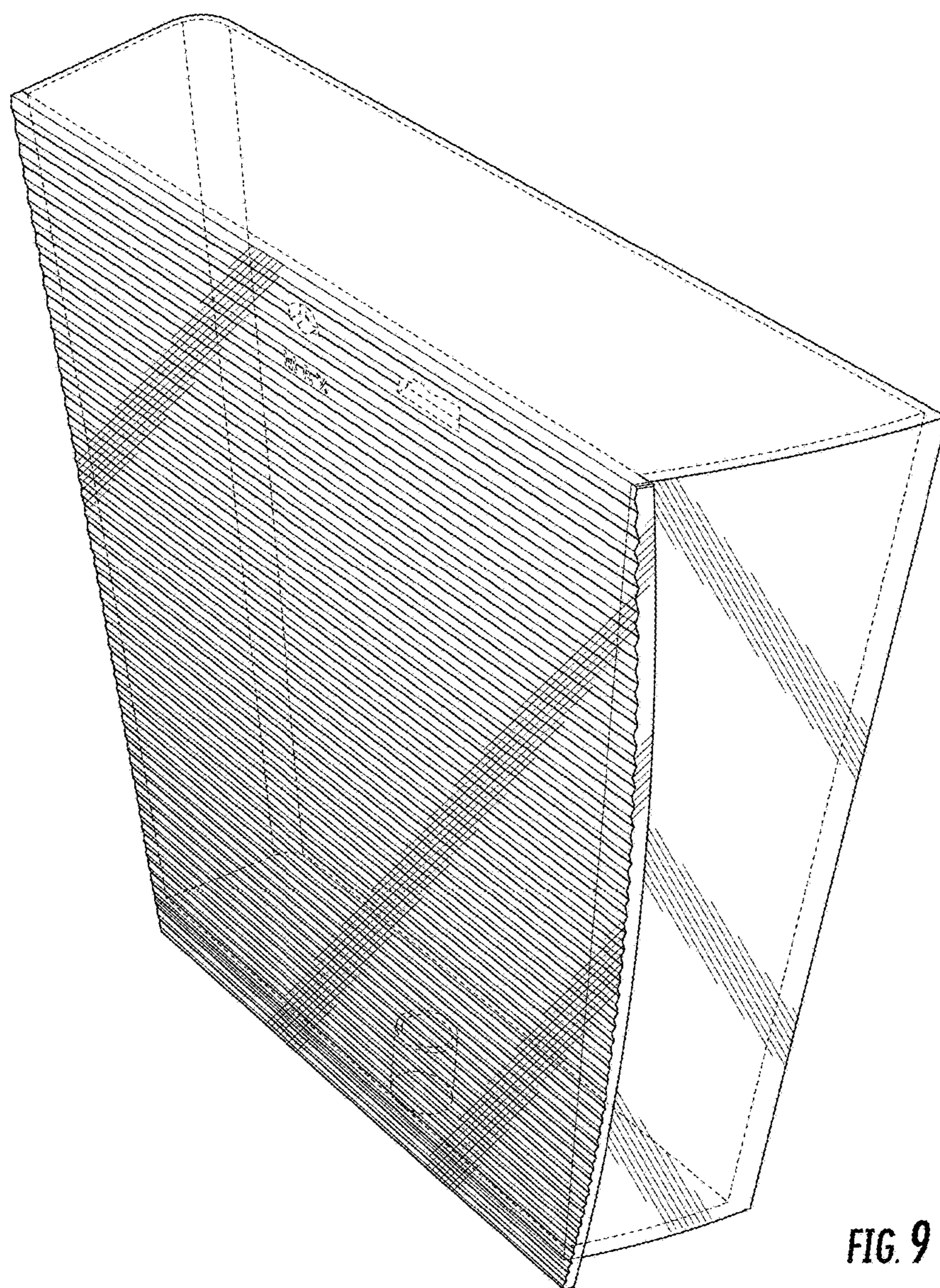


FIG. 9



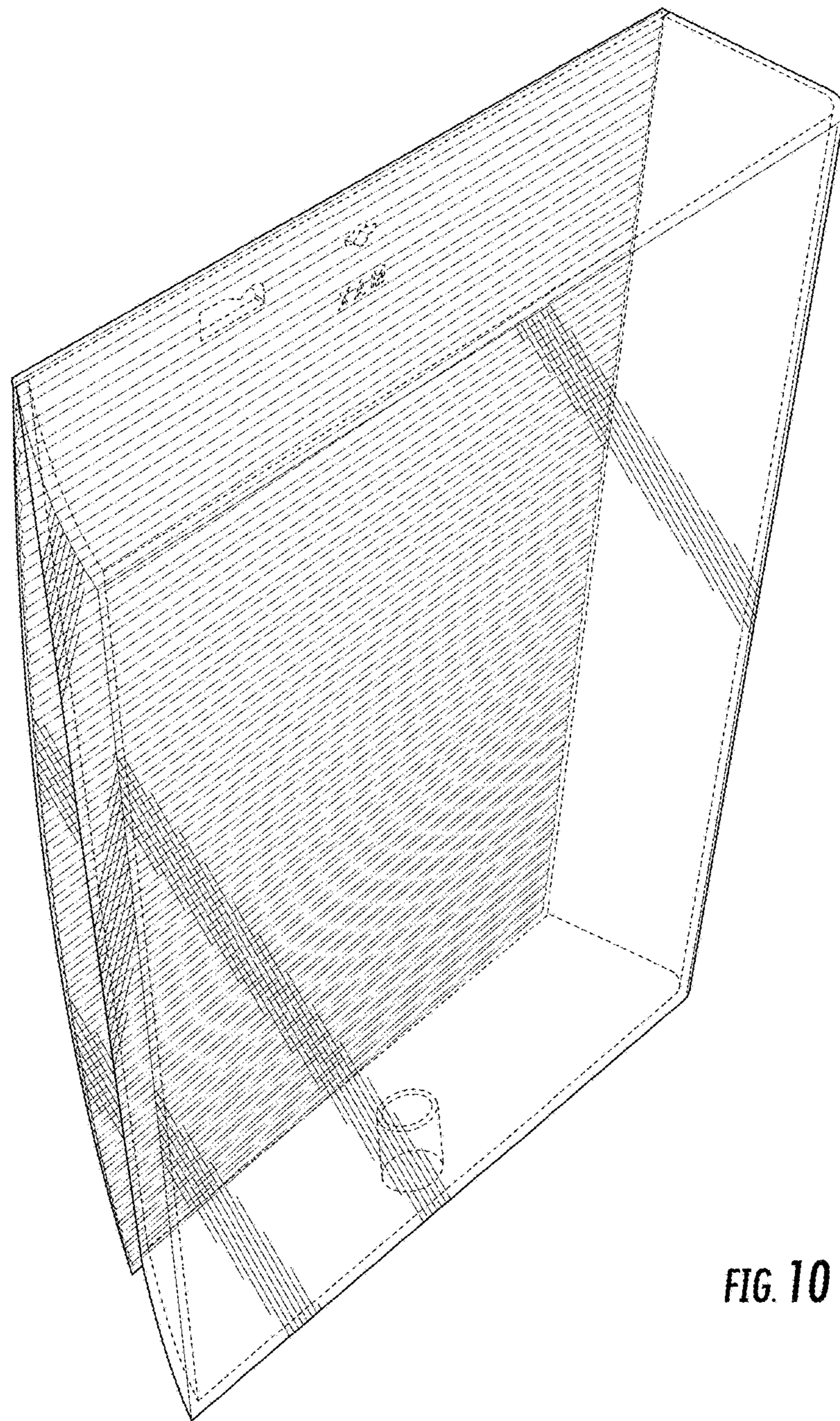


FIG. 10

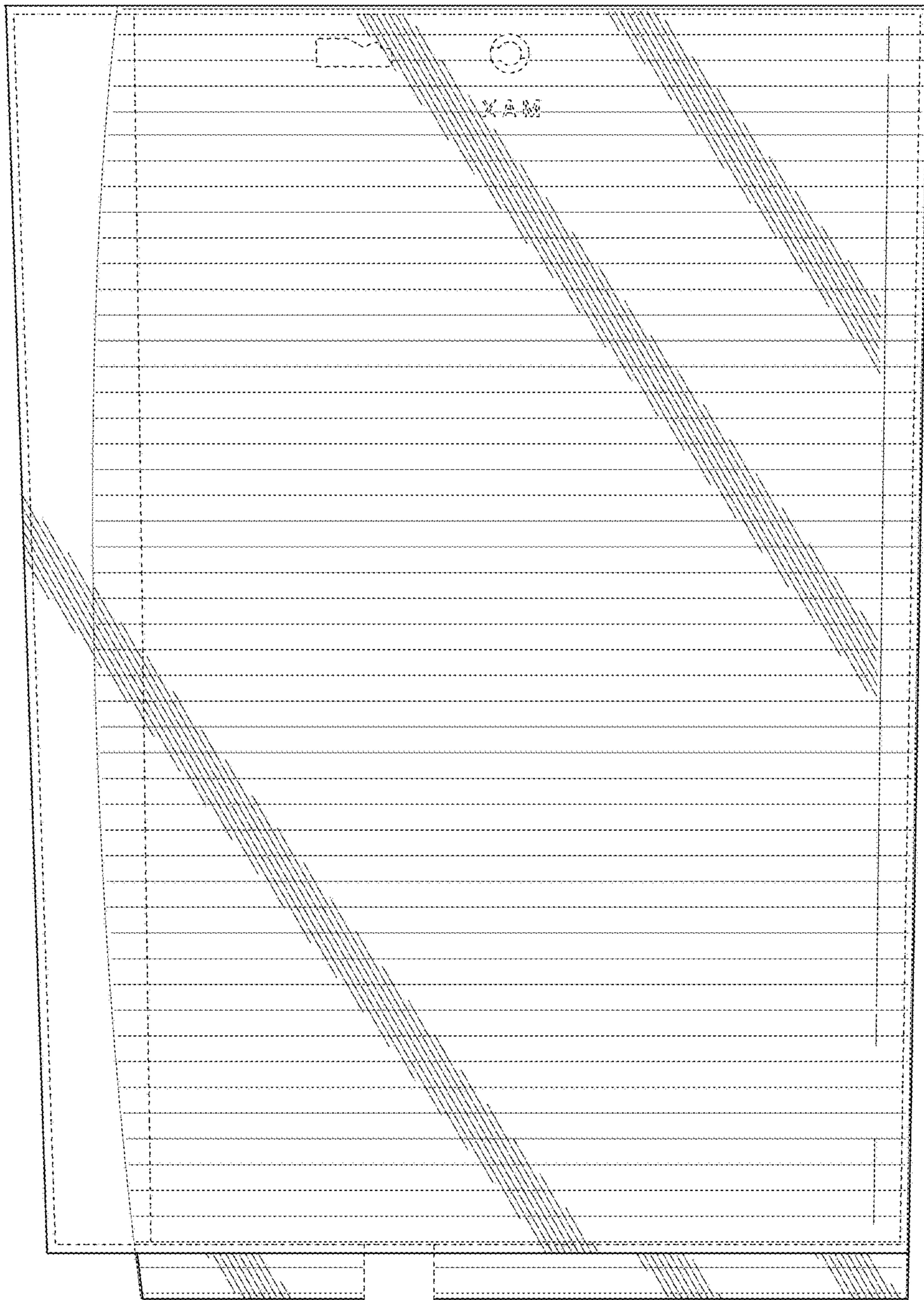


FIG. 11



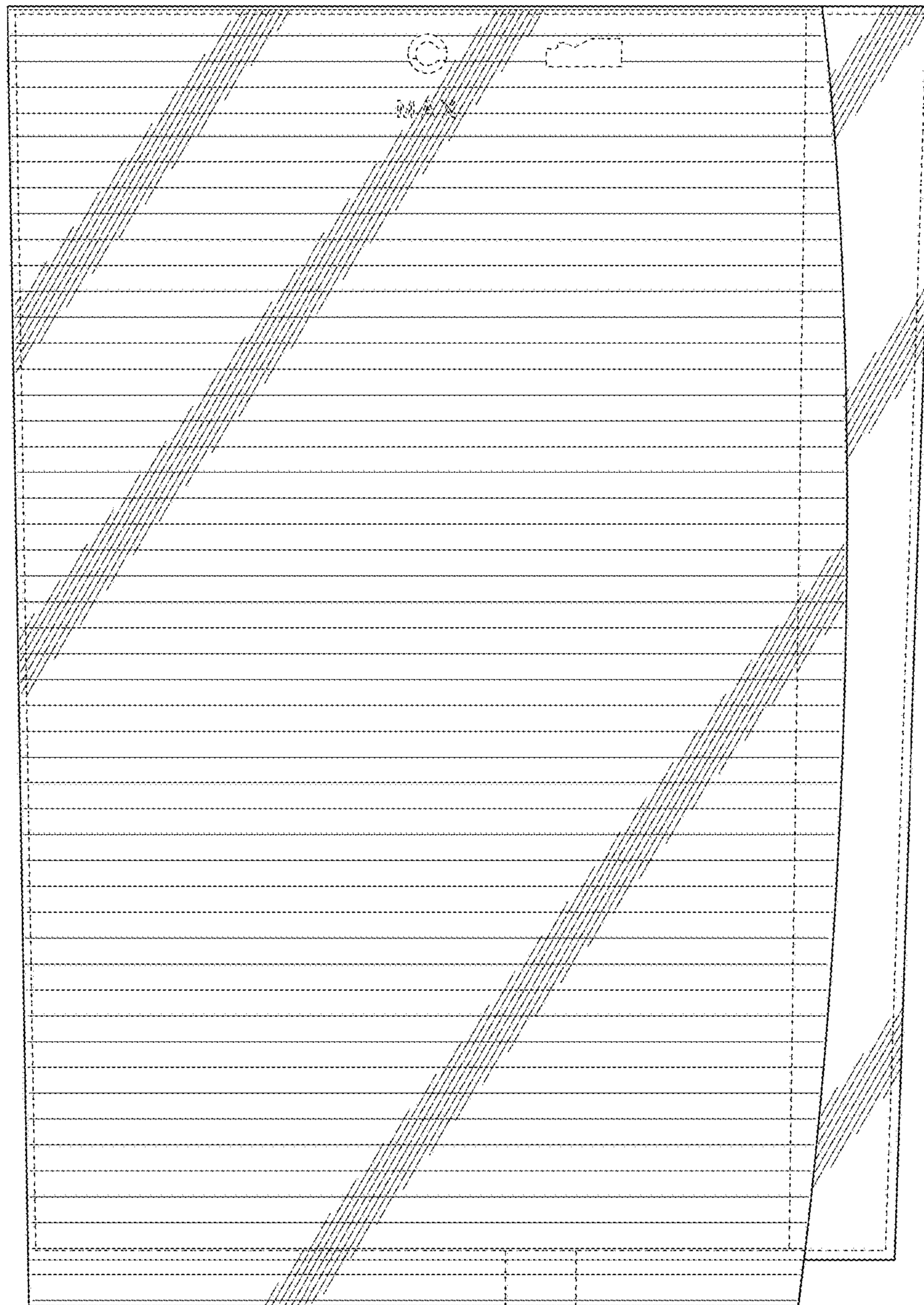


FIG. 12

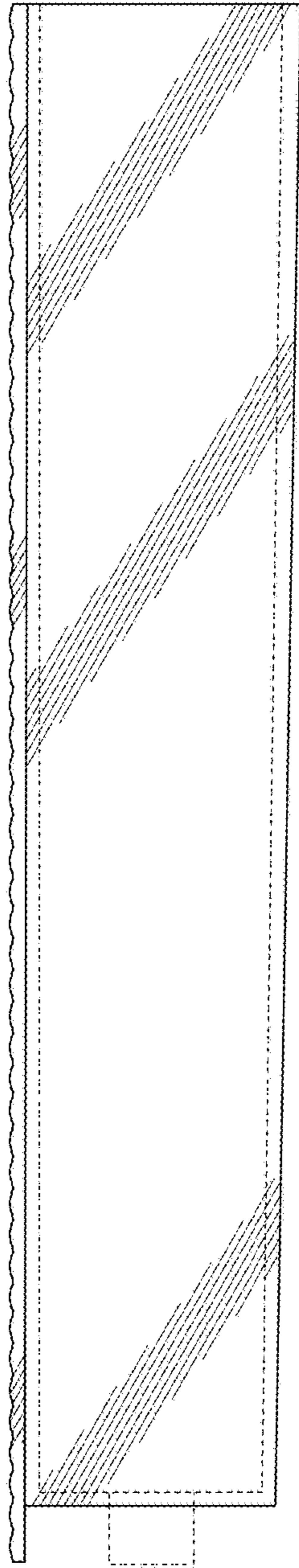


FIG. 13

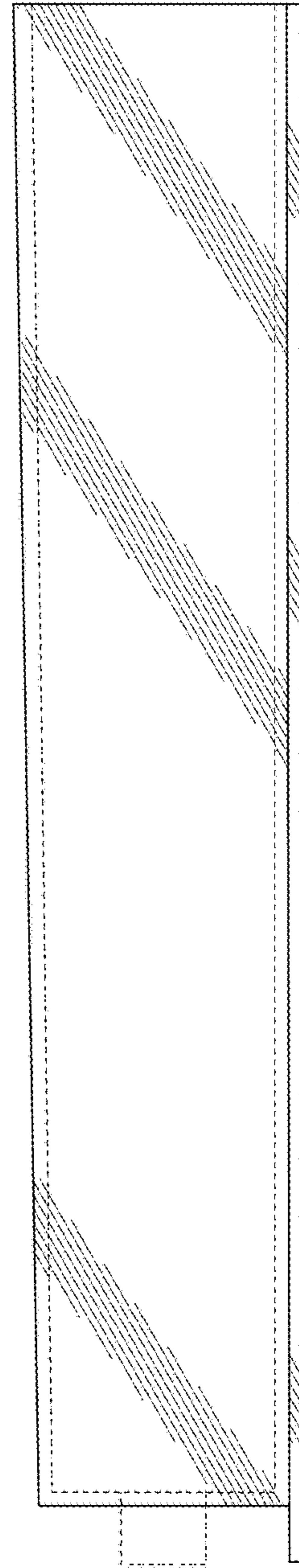


FIG. 14

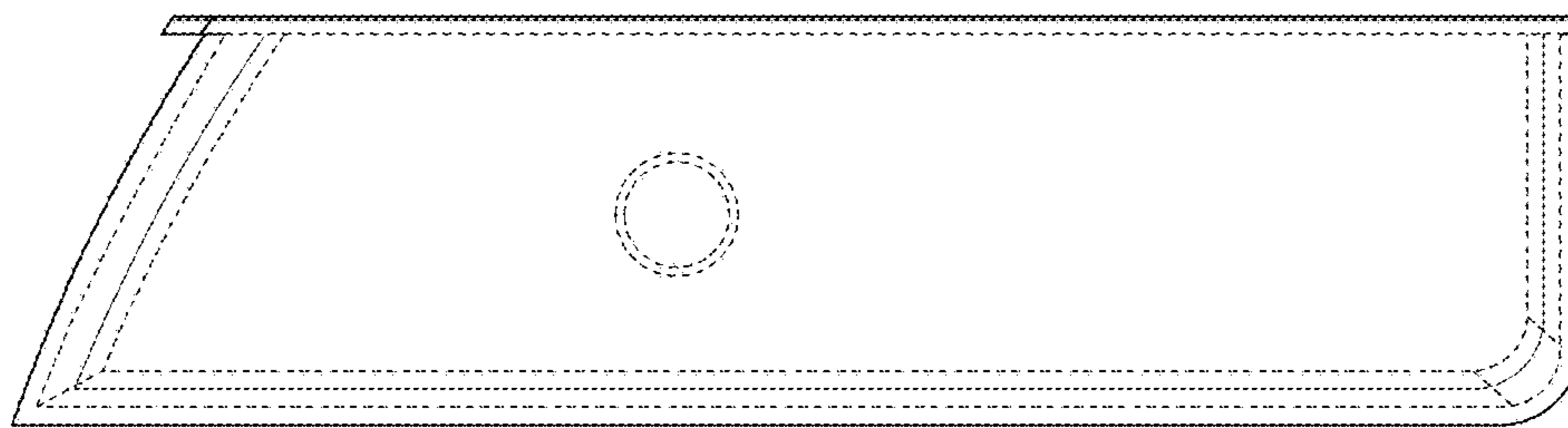


FIG. 15

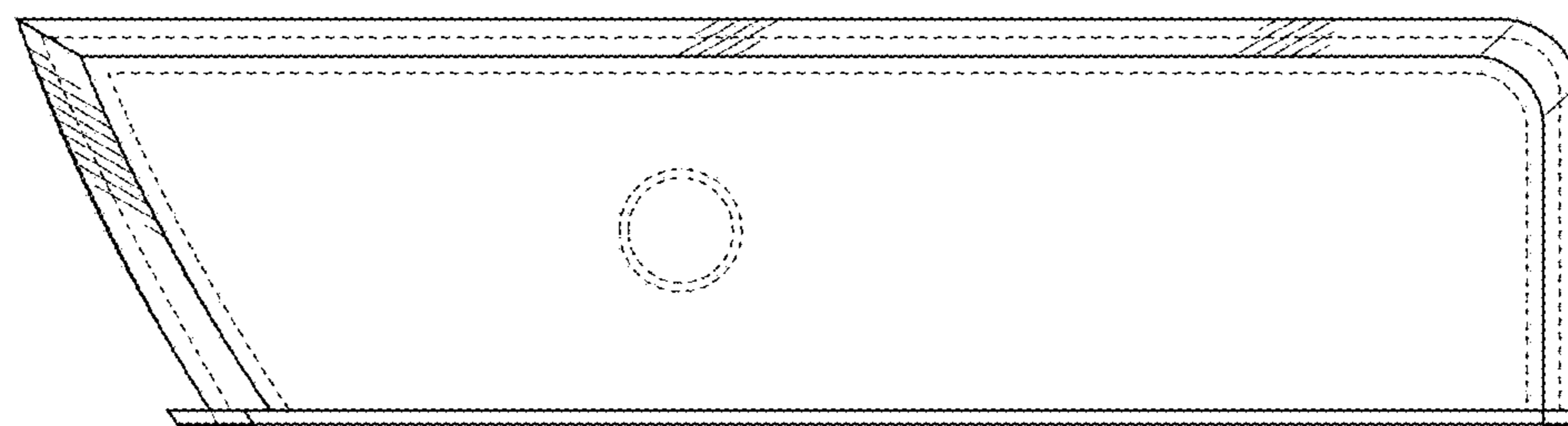


FIG. 16