



US00D853185S

(12) **United States Design Patent** (10) **Patent No.:** **US D853,185 S**
Tapocik (45) **Date of Patent:** **** Jul. 9, 2019**

- (54) **CAP FOR MULTIPLE COMPONENT CARTRIDGE OR DISPENSING DEVICE**
- (71) Applicant: **Bryan Tapocik**, Highland, CA (US)
- (72) Inventor: **Bryan Tapocik**, Highland, CA (US)
- (73) Assignee: **Innovative Product Brands, Inc.**, Highland, CA (US)
- (**) Term: **15 Years**
- (21) Appl. No.: **29/632,868**
- (22) Filed: **Jan. 10, 2018**
- (51) **LOC (11) Cl.** **07-99**
- (52) **U.S. Cl.**
USPC **D7/397**
- (58) **Field of Classification Search**
USPC D7/400, 387, 397, 398, 399, 213;
D9/434, 435, 444, 445, 450, 452, 453,
D9/454, 499; D23/200, 207, 209, 210,
D23/303, 308, 259, 260
CPC B01D 2201/29; B01D 2201/291; B01D
2201/306; B01D 2201/301; B01D
2201/30
See application file for complete search history.

- (56) **References Cited**
U.S. PATENT DOCUMENTS
D191,039 S * 8/1961 Johnson D12/197
D453,011 S * 1/2002 Canady D12/197
D541,371 S * 4/2007 McKay D23/209
D601,320 S * 9/2009 Williams D32/30
D615,201 S * 5/2010 Bierman D24/140
D679,597 S * 4/2013 Tamarindo D9/443
D681,462 S * 5/2013 Taylor D9/453

D739,239 S *	9/2015	Seifer	D9/453
D757,546 S *	5/2016	Seifer	D9/453
D772,338 S *	11/2016	Sato	D19/1
D775,953 S *	1/2017	Ruthe-Steinsiek	D19/192
D820,948 S *	6/2018	An	D23/209
D823,052 S *	7/2018	Neace, Jr.	D7/400
D825,334 S *	8/2018	Ristich	D9/454
2008/0110941 A1 *	5/2008	Foster	B05B 11/0029 222/507
2014/0144913 A1 *	5/2014	Tiefenthaler	B60K 15/0406 220/212.5
2016/0167847 A1 *	6/2016	Jung	B65D 50/041 215/216

* cited by examiner

Primary Examiner — Derrick E Holland
Assistant Examiner — Andrew Kerr
(74) *Attorney, Agent, or Firm* — Thomas I. Rozsa

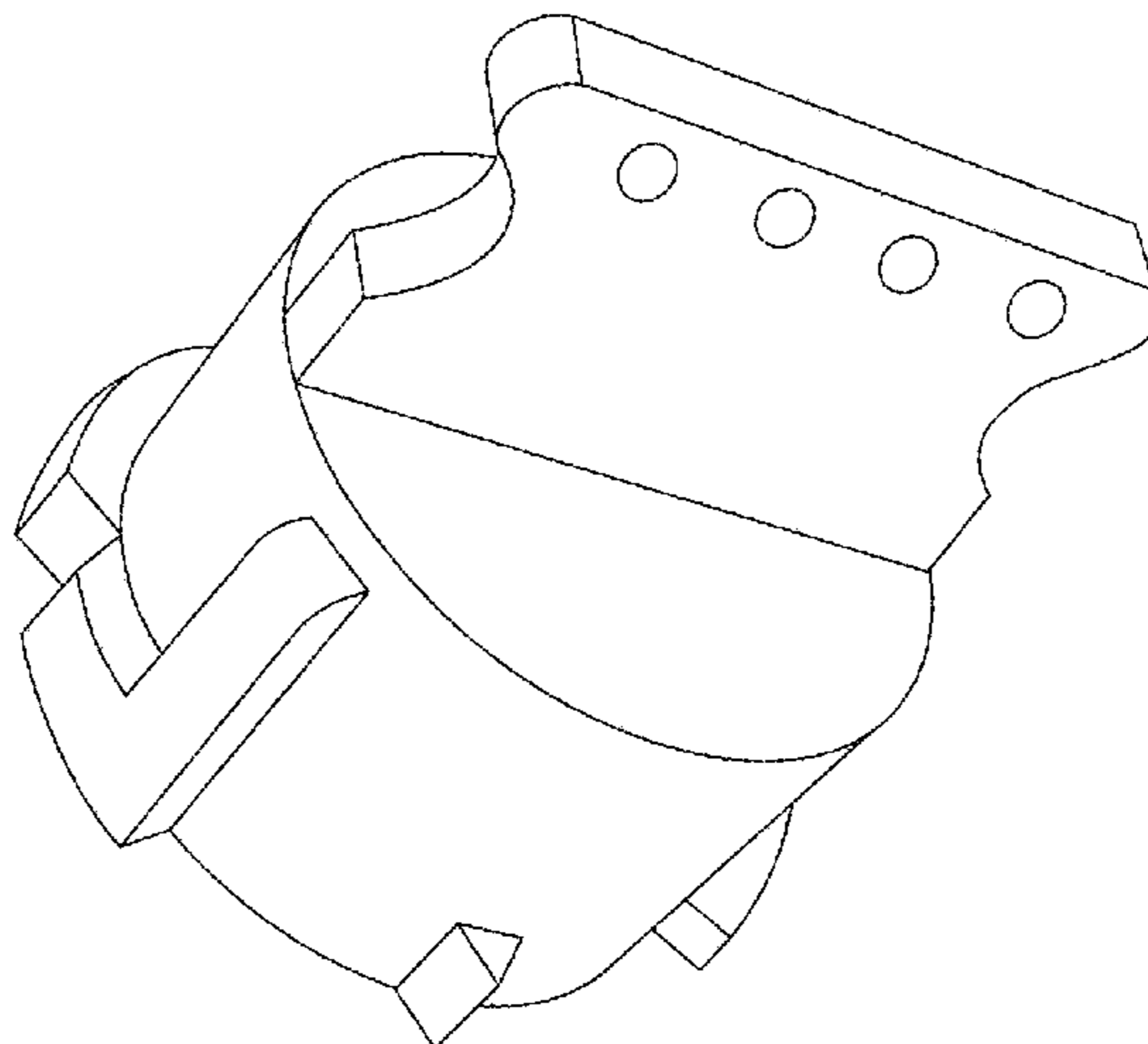
(57) **CLAIM**

The ornamental design for a cap for multiple component cartridge or dispensing device, as shown and described.

DESCRIPTION

FIG. 1 is a top, rear perspective view of a cap for multiple component cartridge or dispensing device, showing my new design;
FIG. 2 is a bottom, rear, right side perspective view thereof;
FIG. 3 is a top plan view thereof, shown in a reduced scale for ease of illustration;
FIG. 4 is a bottom plan view thereof;
FIG. 5 is a front view thereof;
FIG. 6 is a left side view thereof;
FIG. 7 is a rear view thereof; and,
FIG. 8 is a right side view thereof.

1 Claim, 8 Drawing Sheets



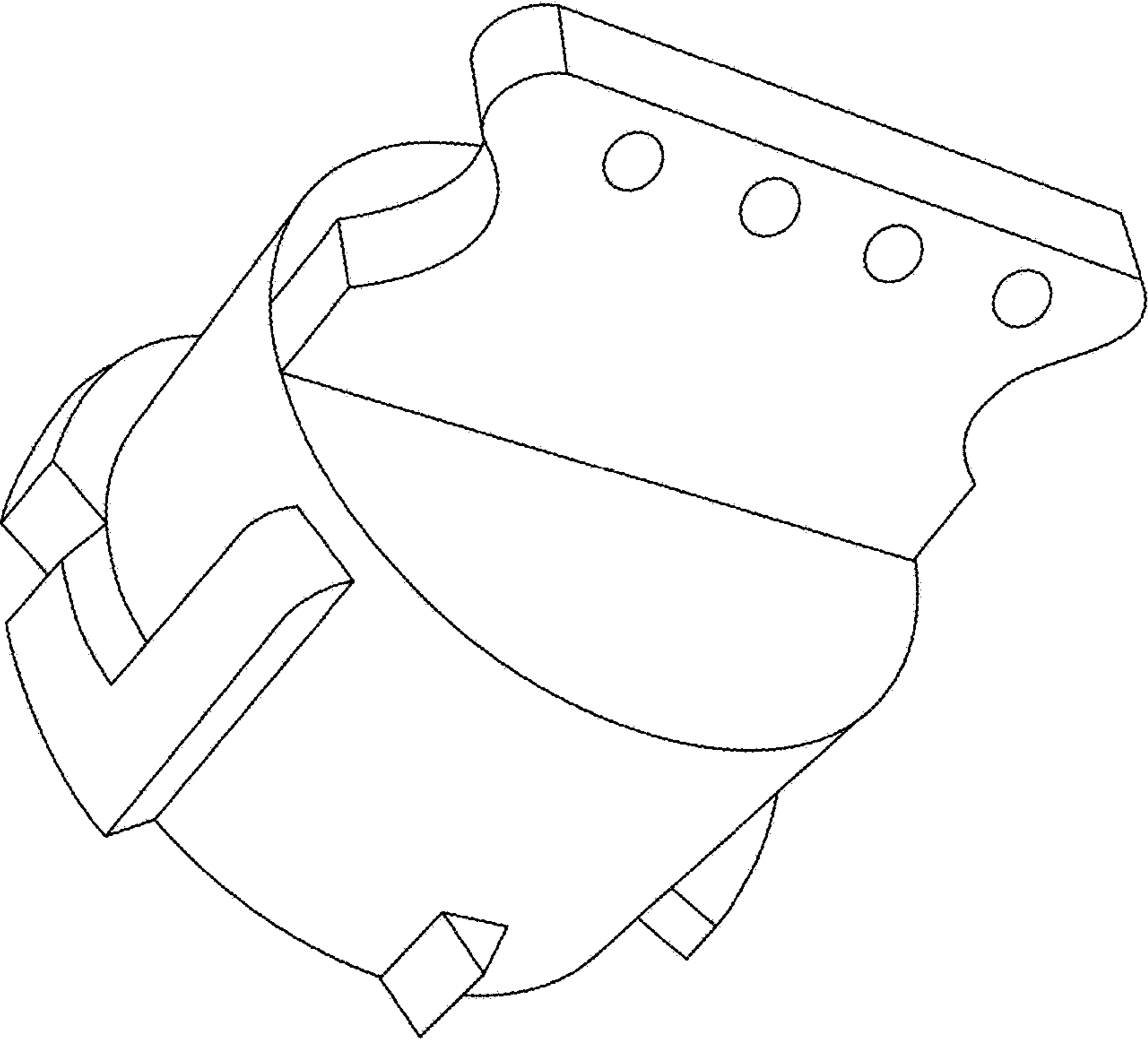


FIG. 1

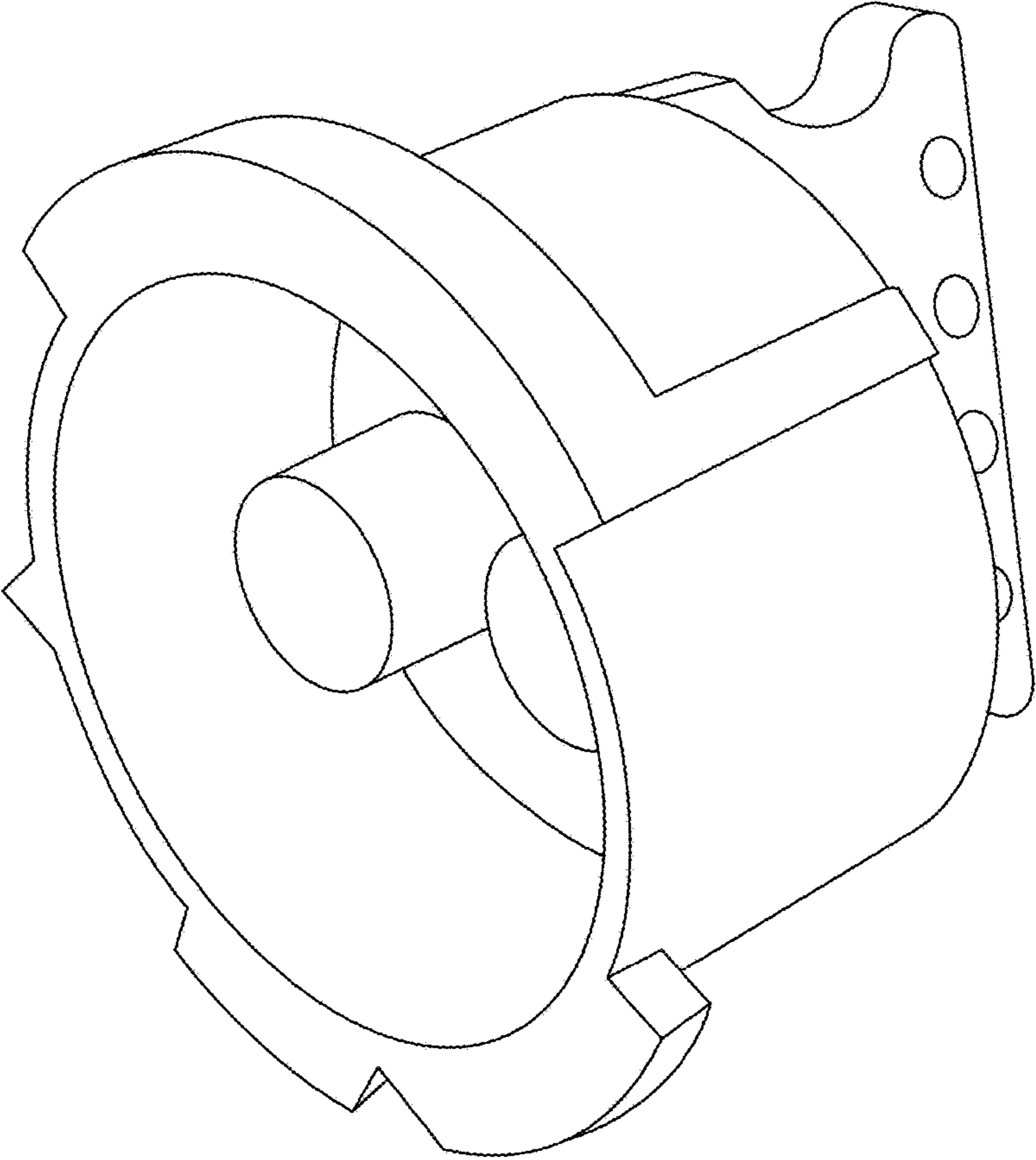


FIG. 2

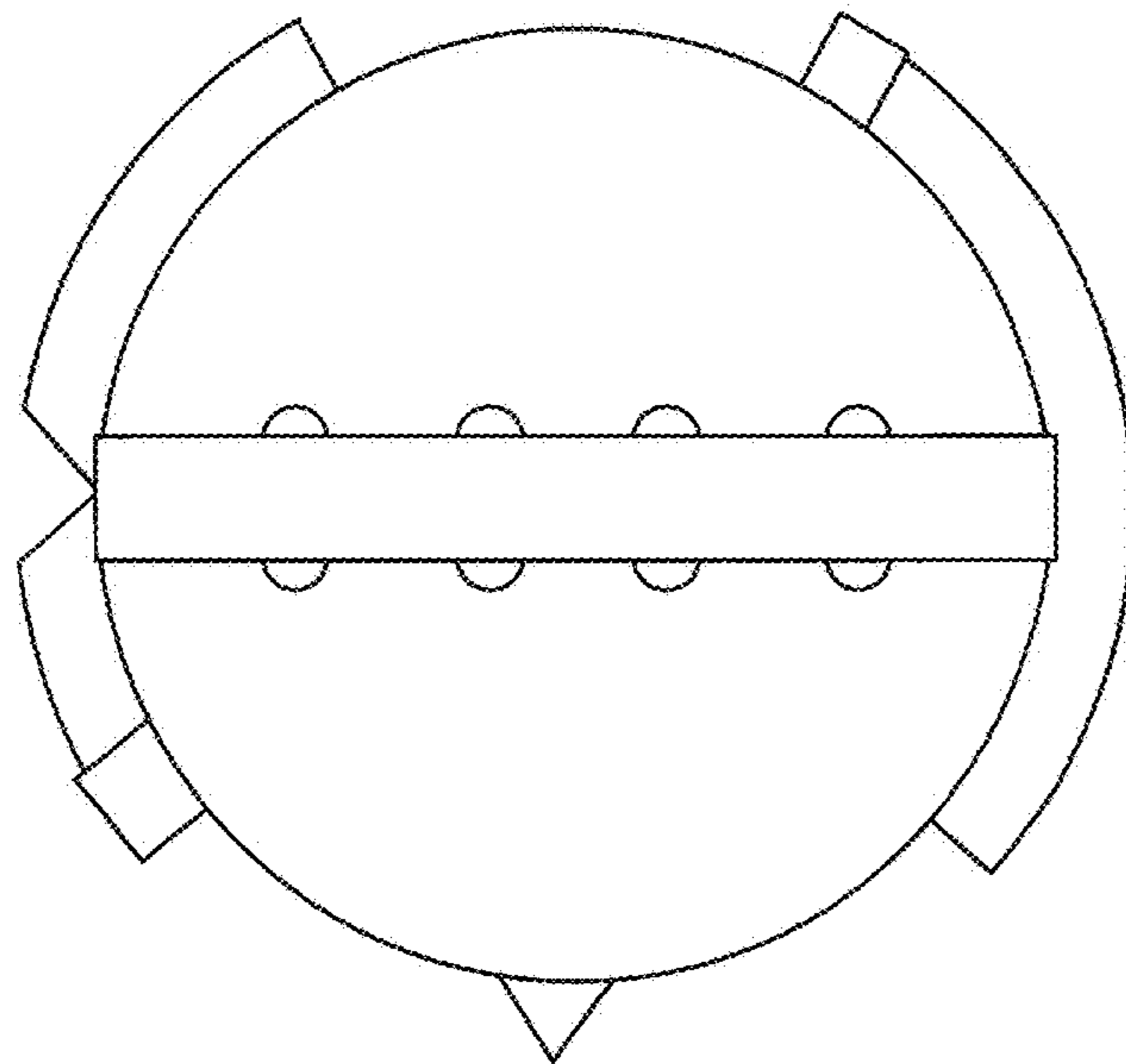


Fig. 3

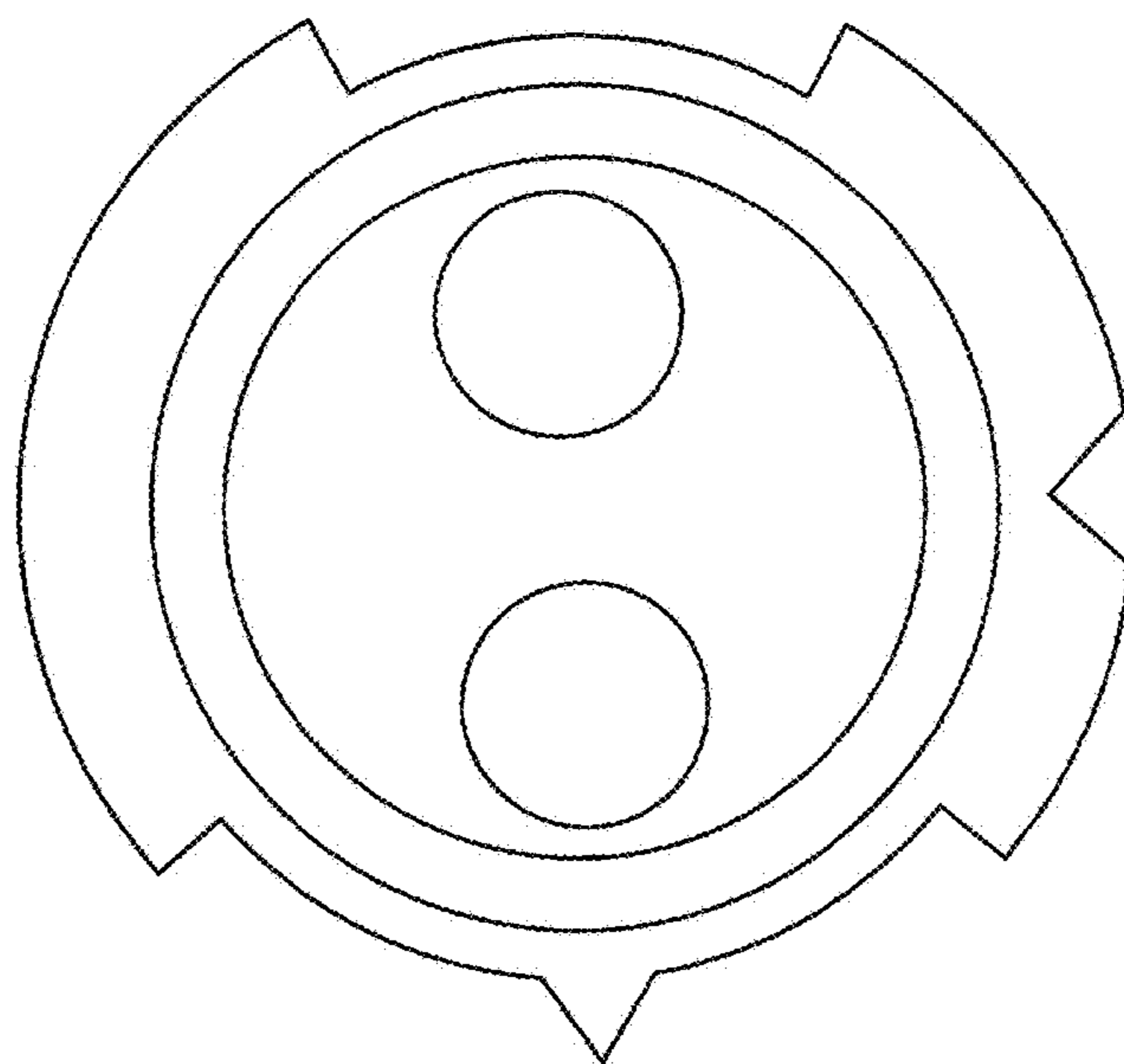


Fig. 4

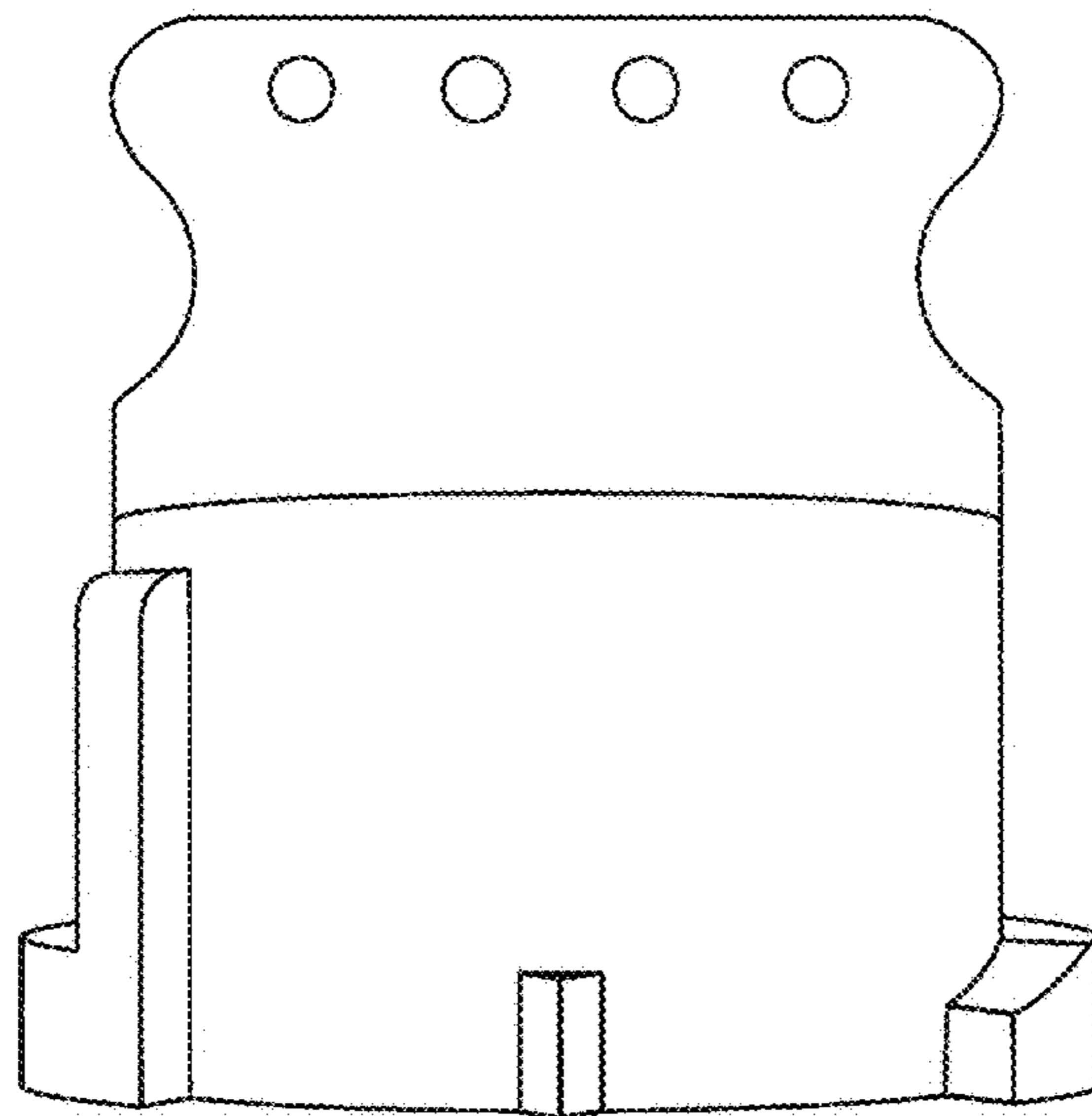


Fig. 5

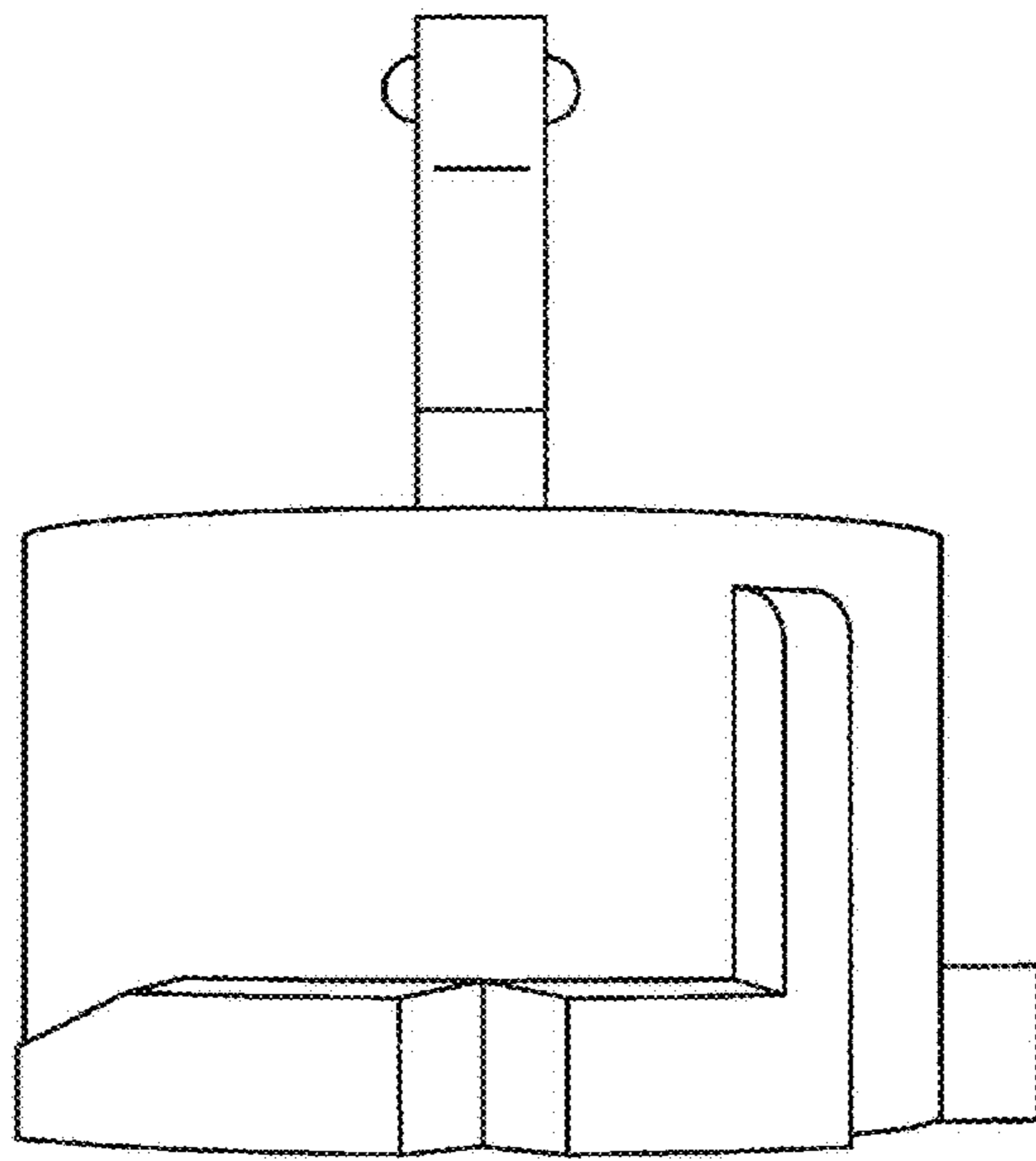


Fig. 6

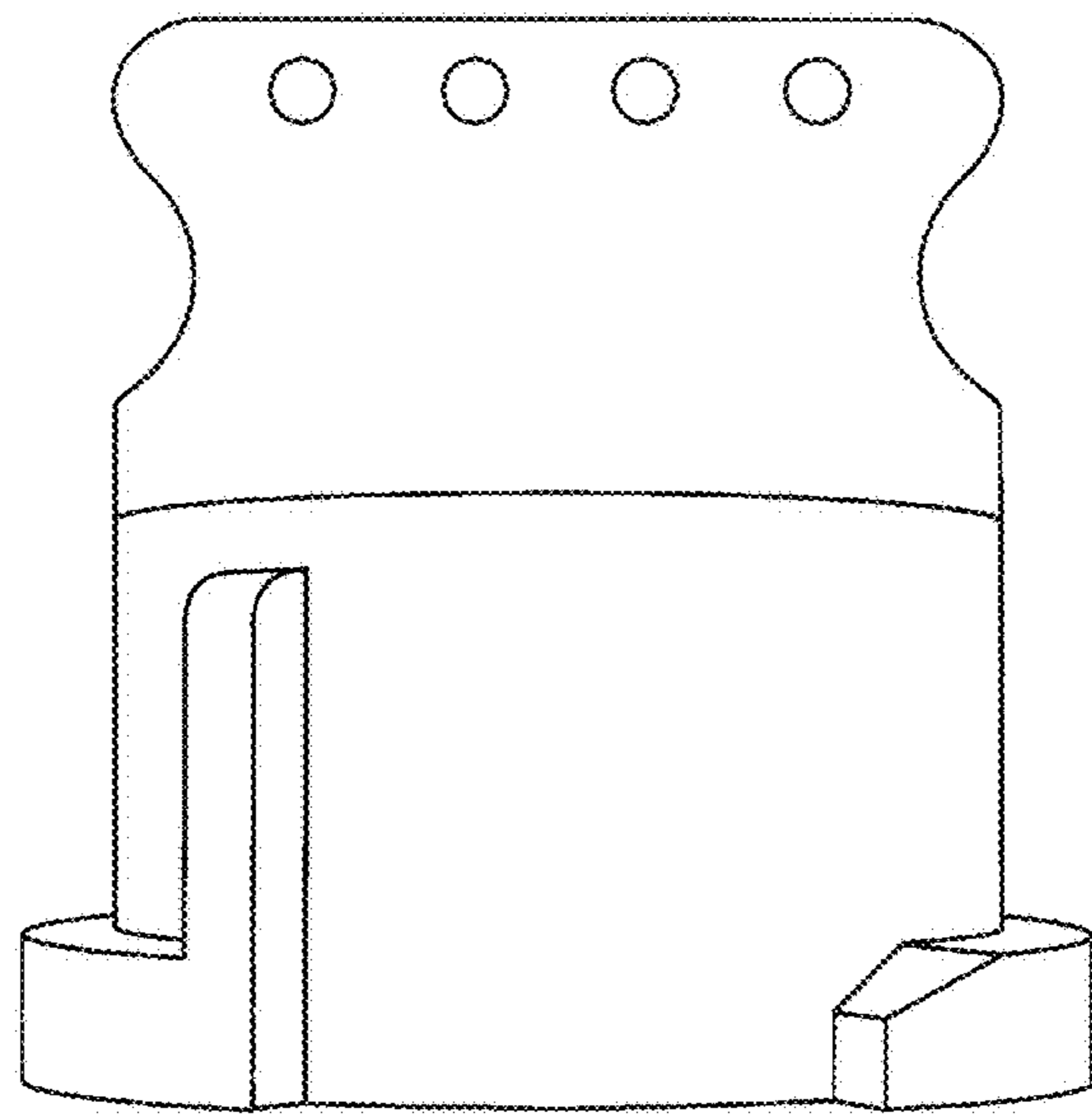


Fig. 7

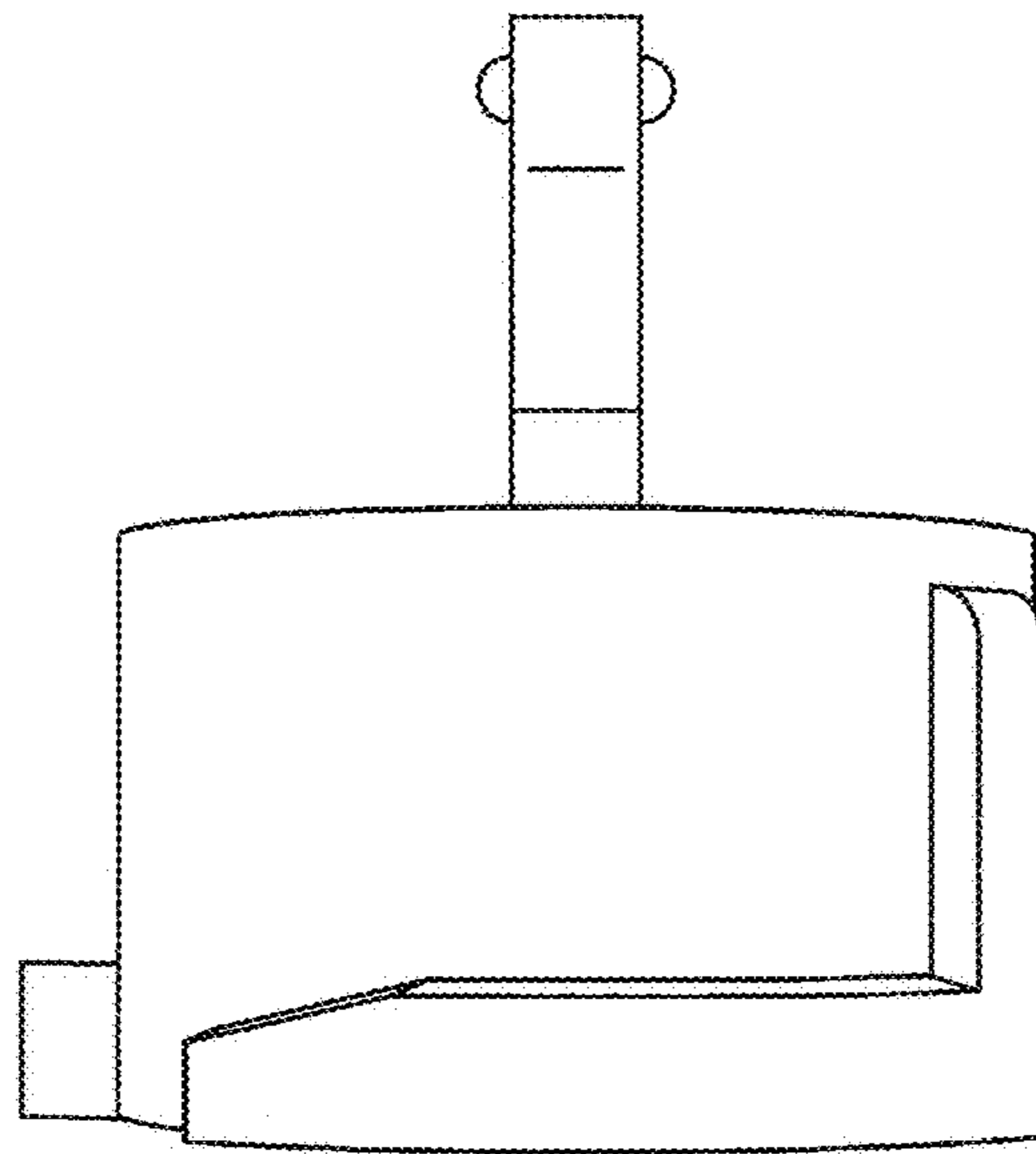


Fig. 8