



US00D853184S

(12) **United States Design Patent** (10) **Patent No.:** **US D853,184 S**  
**de Grootte et al.** (45) **Date of Patent:** **\*\* Jul. 9, 2019**

(54) **CAP FOR BOTTLE**

(71) Applicant: **Dart Industries Inc.**, Orlando, FL (US)

(72) Inventors: **Jan-Hendrik de Grootte**, Aalst (BE);  
**James Michael Wiggins**, Pleasant Hill, CA (US)

(73) Assignee: **Dart Industries Inc.**, Orlando, FL (US)

(\*\*) Term: **15 Years**

(21) Appl. No.: **29/654,574**

(22) Filed: **Jun. 26, 2018**

(51) **LOC (11) Cl.** ..... **07-99**

(52) **U.S. Cl.**  
USPC ..... **D7/392.1; D9/443**

(58) **Field of Classification Search**  
USPC ..... D9/428, 429, 432, 434, 435, 436, 439,  
D9/440, 443, 444, 445, 447, 449-455,  
D9/499, 500, 503, 504, 705; D7/317,  
D7/387, 391, 392, 392.1, 393, 396.1,  
D7/396.2, 509-511, 538, 900; D3/202,  
D3/203.2, 294, 302, 318; D28/91  
CPC .. A61J 1/00; A61J 1/1412; B65D 1/00; B65D  
1/02; B65D 1/10; B65D 1/46; B65D  
2585/56; B65D 2585/545; B65D 41/00;  
B65D 41/38; B65D 41/56; B65D 41/62;  
B65D 47/00; B65D 47/06; B65D 47/08;  
B65D 2543/00046; B65D 2543/00092;  
B65D 2543/00296; B65D 5/46; B65D  
2251/00  
See application file for complete search history.

(56) **References Cited**  
U.S. PATENT DOCUMENTS  
D207,033 S \* 2/1967 Bowker ..... D9/443  
D281,050 S \* 10/1985 Cesaroni ..... D7/360  
D505,294 S \* 5/2005 Gauss ..... D7/392.1

D613,160 S 4/2010 Ablo  
D661,945 S \* 6/2012 Eyal ..... D7/392.1  
D667,269 S \* 9/2012 Pallotto ..... D7/510  
D675,060 S \* 1/2013 Lane ..... D7/392.1  
D675,865 S \* 2/2013 Wahl ..... D7/392.1  
D700,012 S \* 2/2014 Hurley ..... D7/392.1  
D730,729 S \* 6/2015 George ..... D9/435  
D763,622 S 8/2016 Shirley et al.  
D785,402 S 5/2017 Shirley et al.  
D794,453 S \* 8/2017 Boroski ..... D7/392.1  
D814,235 S \* 4/2018 Shirley ..... D7/392.1  
D815,906 S 4/2018 Yee et al.  
D817,088 S 5/2018 Shirley  
D818,767 S \* 5/2018 Nezu ..... D7/392.1  
D819,395 S \* 6/2018 Yu ..... D7/391  
D822,427 S \* 7/2018 Sorensen ..... D7/392.1  
D831,433 S \* 10/2018 Fleischhut ..... D7/608  
D835,939 S \* 12/2018 Yee ..... D7/392.1

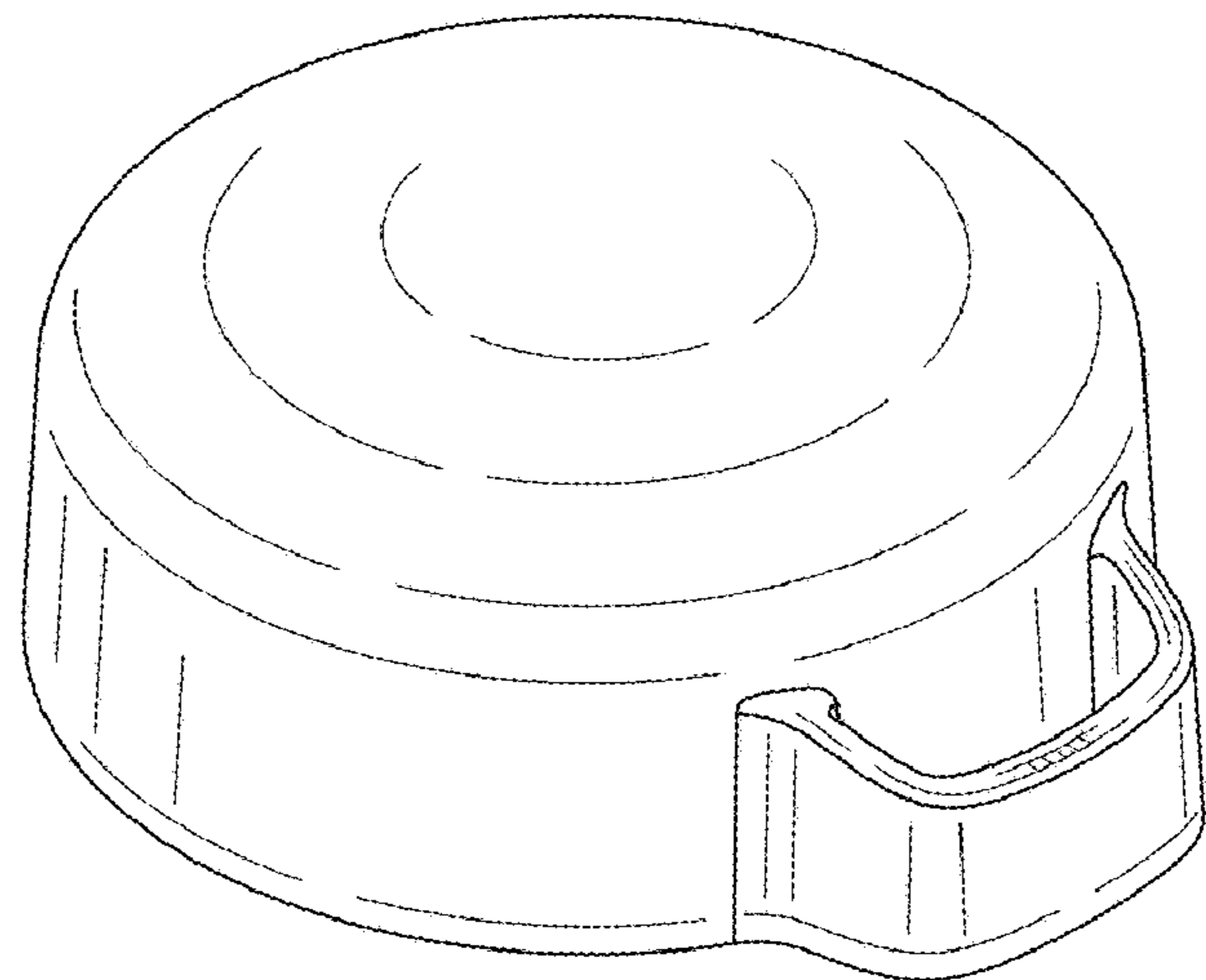
(Continued)

*Primary Examiner* — Michael A. Pratt  
*Assistant Examiner* — Wendy L Arminio  
(74) *Attorney, Agent, or Firm* — Taylor J. Ross

(57) **CLAIM**  
The ornamental design for a cap for bottle, as shown and described.

**DESCRIPTION**  
FIG. 1 is a top, rear and left side perspective view of a cap for bottle showing our new design;  
FIG. 2 is a bottom, front and left side perspective view thereof;  
FIG. 3 is a top plan view thereof;  
FIG. 4 is a bottom plan view thereof;  
FIG. 5 is a left side elevation view, the right side elevation being a mirror image thereof;  
FIG. 6 is a rear elevation view thereof;  
FIG. 7 is a front elevation view thereof; and,  
FIG. 8 is a cross-sectional view taken in the direction of line 8-8 shown in FIG. 3.

**1 Claim, 3 Drawing Sheets**



(56)

**References Cited**

U.S. PATENT DOCUMENTS

D837,589 S \* 1/2019 Dalton ..... D7/391  
2016/0376061 A1 \* 12/2016 Shirley ..... B65D 1/02  
215/228

\* cited by examiner

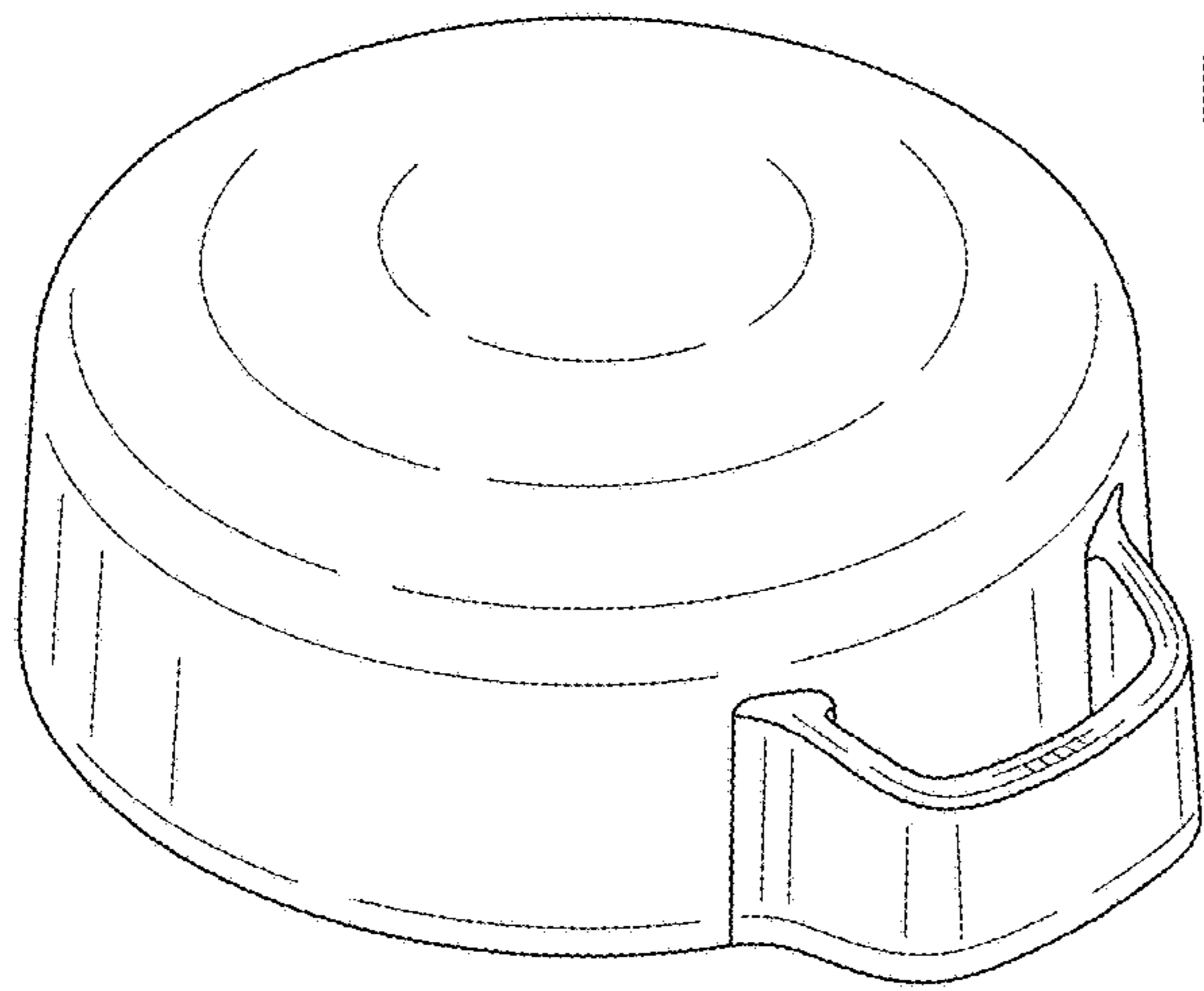


FIG. 1

FIG. 2

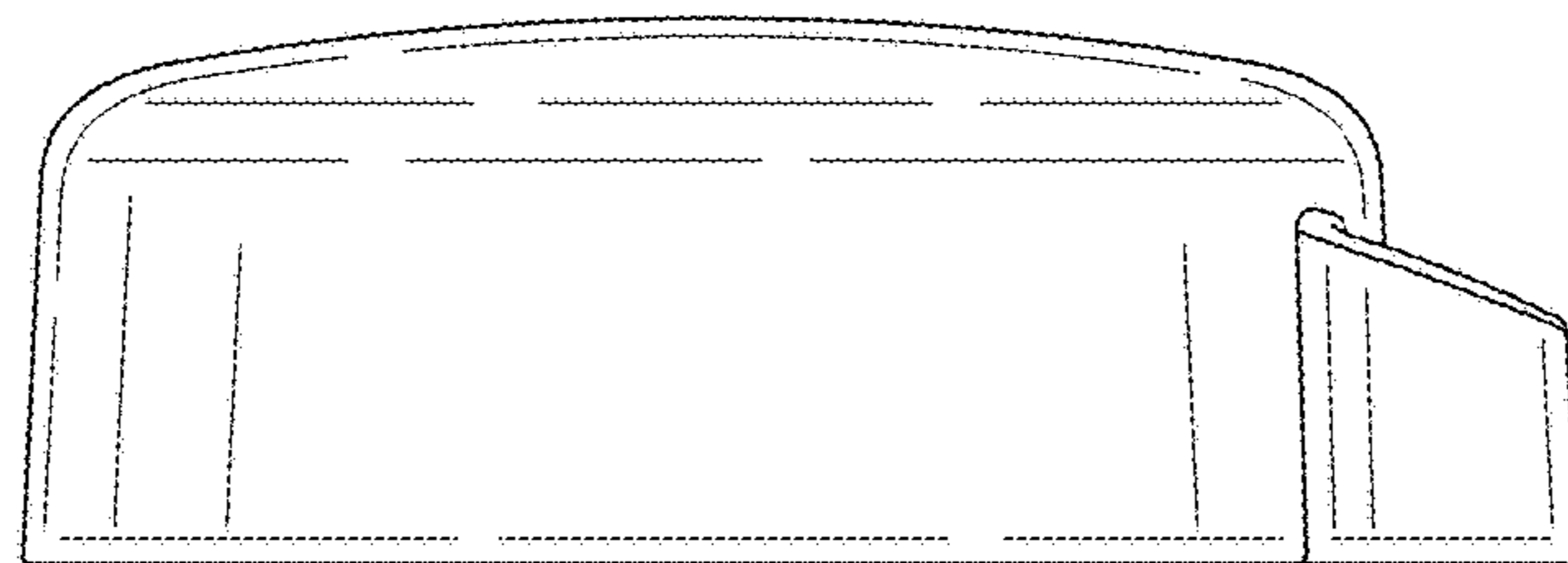
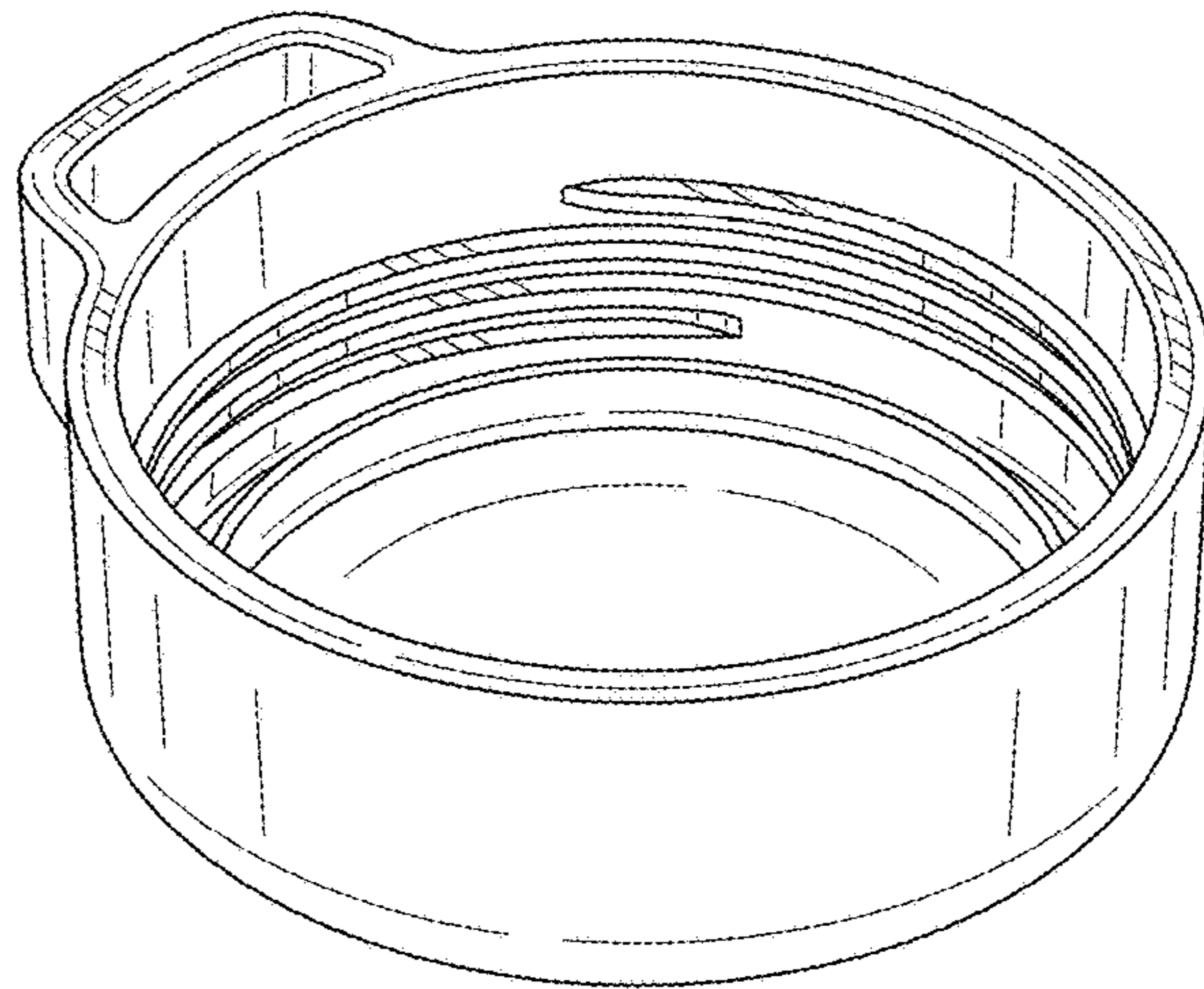


FIG. 5

FIG. 3

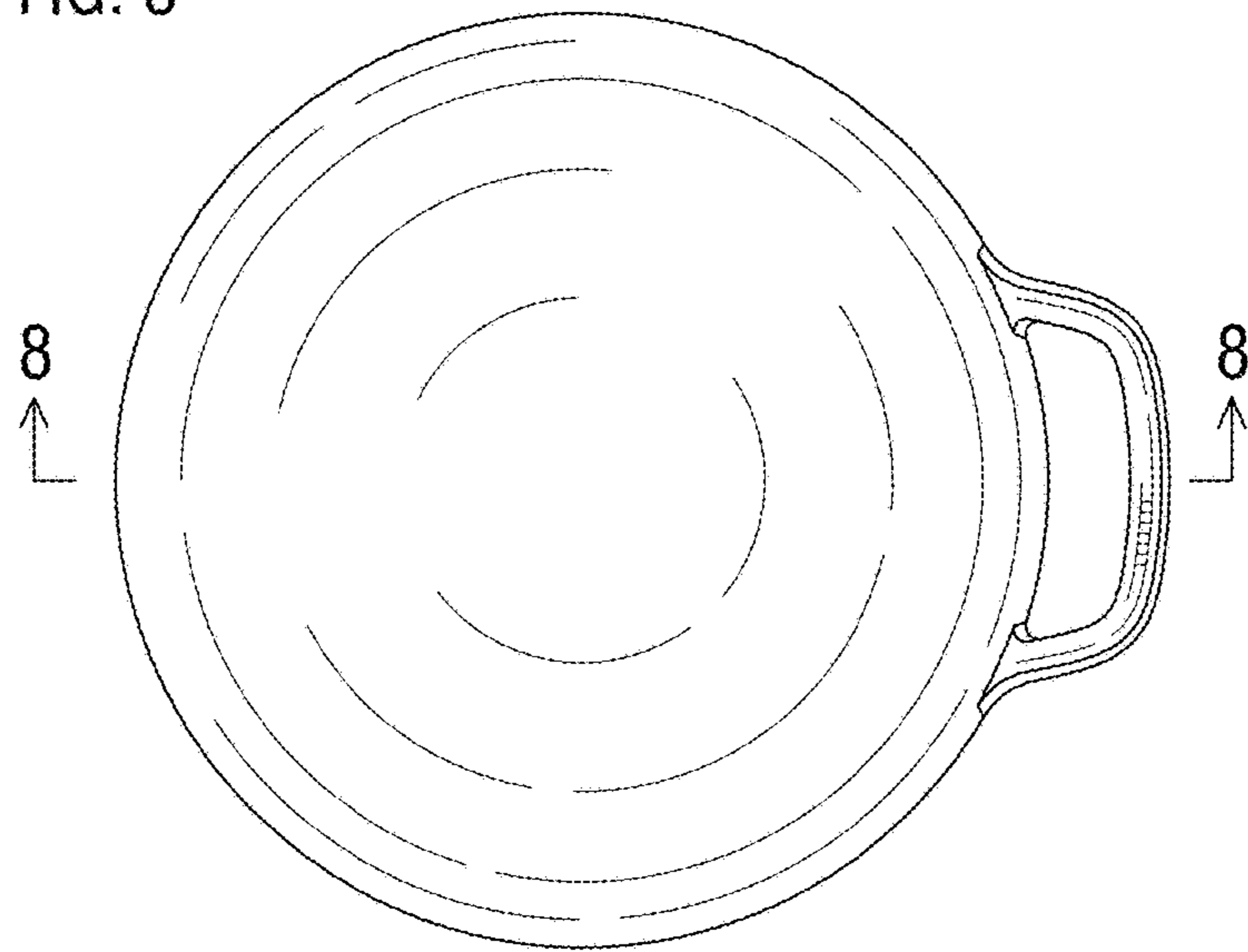


FIG. 4

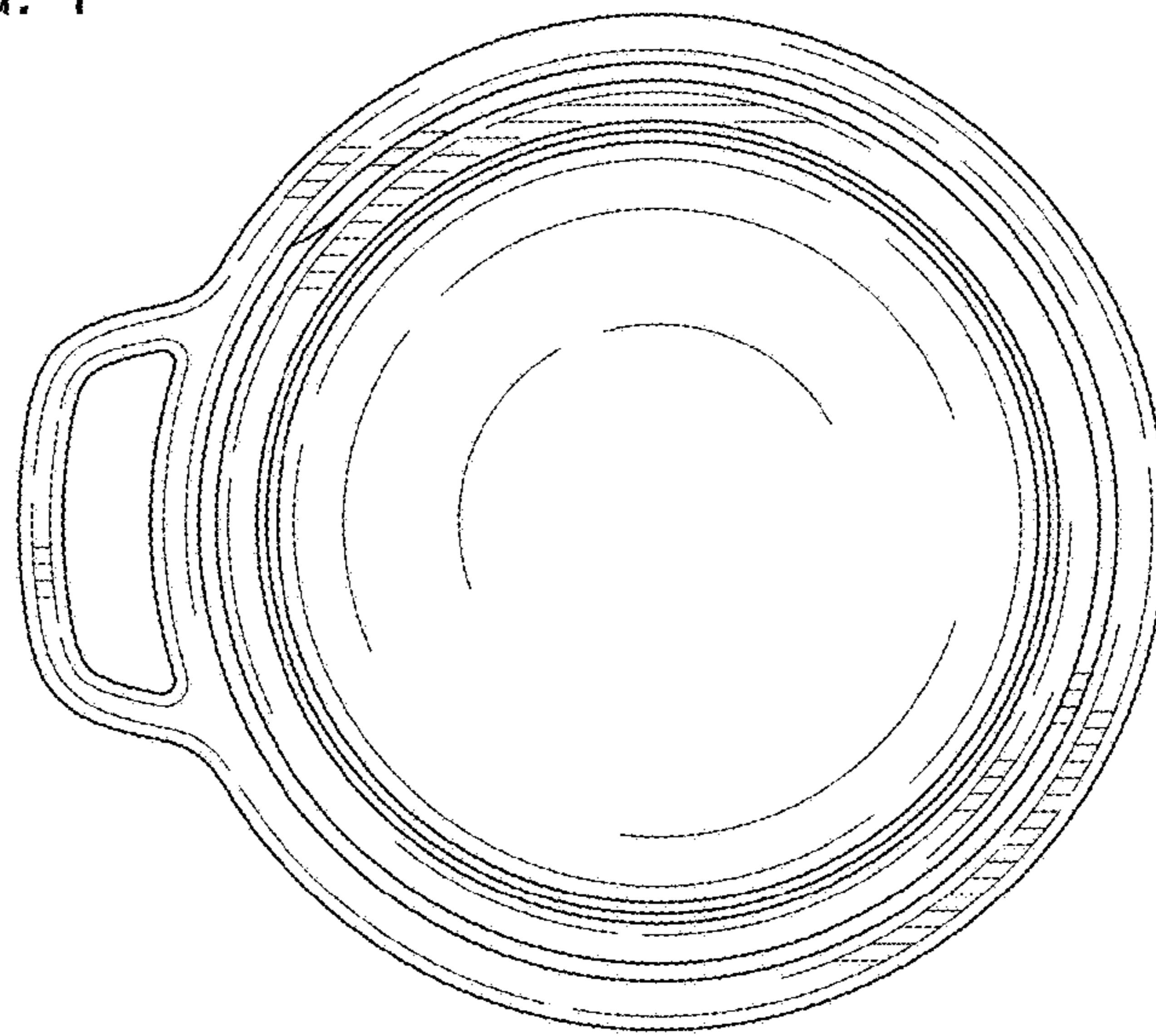


FIG. 6

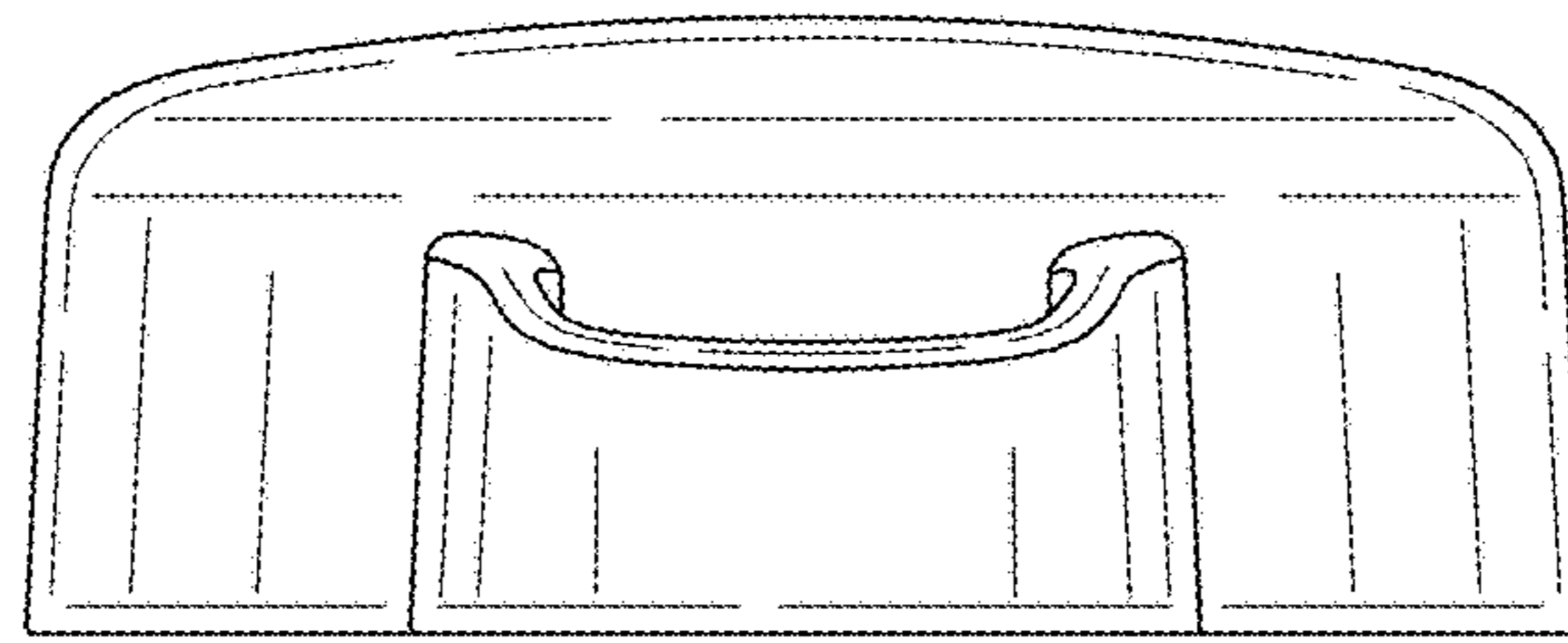


FIG. 7

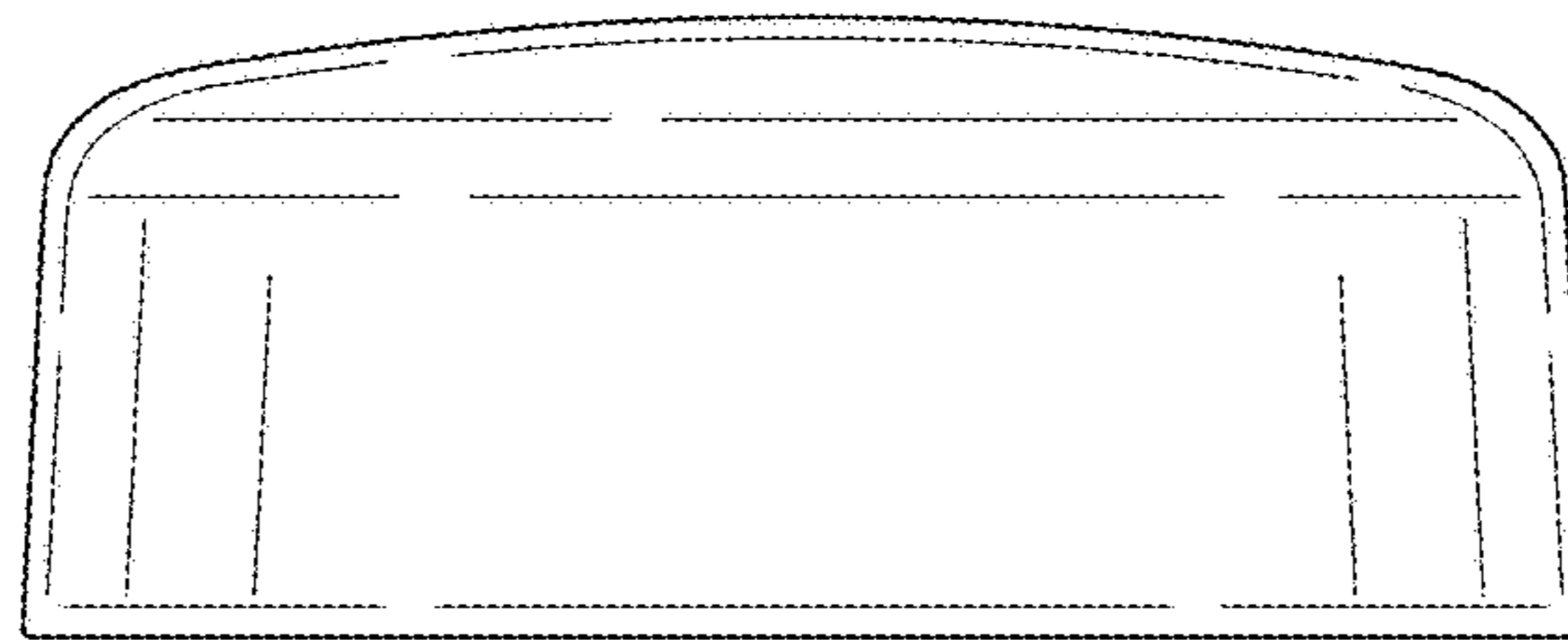


FIG. 8

