



US00D853182S

(12) **United States Design Patent**  
**Adams, Jr. et al.**

(10) **Patent No.:** **US D853,182 S**

(45) **Date of Patent:** **\*\* Jul. 9, 2019**

(54) **BEVERAGE CONTAINER CAP**

(71) Applicant: **Klean Kanteen, Inc.**, Chico, CA (US)

(72) Inventors: **Richard John Adams, Jr.**, Bozeman, MT (US); **Joshua James Birkle**, Chico, CA (US)

(73) Assignee: **KLEAN KANTEEN, INC.**, Chico, CA (US)

(\*\*) Term: **15 Years**

(21) Appl. No.: **29/633,343**

(22) Filed: **Jan. 12, 2018**

(51) **LOC (11) Cl.** ..... **07-99**

(52) **U.S. Cl.**  
USPC ..... **D7/392; D7/392.1**

(58) **Field of Classification Search**  
USPC ..... D9/452, 453, 454, 435, 447, 449;  
D7/392, 392.1  
CPC ..... A47G 21/18; A61J 7/0038; B65D  
2517/0049

See application file for complete search history.

(56) **References Cited**

**U.S. PATENT DOCUMENTS**

D332,379 S *	1/1993	Murphy	.....	D7/391
D341,779 S *	11/1993	Lewis	.....	D9/435
D368,224 S *	3/1996	Arndt	.....	D9/436
D389,058 S *	1/1998	Landis	.....	D9/438
D409,089 S *	5/1999	Nguyen	.....	D9/452
D457,779 S *	5/2002	Gullickson	.....	D7/392.1
D480,264 S *	10/2003	de Groote	.....	D7/392.1
D488,345 S *	4/2004	de Groote	.....	D7/392.1
D528,359 S *	9/2006	Laib	.....	D7/392.1
D677,523 S *	3/2013	Blickert	.....	D7/392.1
D697,366 S *	1/2014	Kristinik	.....	D7/392.1
D700,513 S *	3/2014	Carsrud	.....	D9/447
D720,218 S *	12/2014	Hutson	.....	D9/443

D767,329 S *	9/2016	Mock	.....	D7/392.1
D778,724 S *	2/2017	Martini	.....	D9/443
D784,808 S *	4/2017	Berroa Garcia	.....	D9/434
D795,007 S *	8/2017	Plassmeyer	.....	D7/392.1
D824,720 S *	8/2018	Gagnon	.....	D7/392.1

\* cited by examiner

*Primary Examiner* — Karen S Acker

*Assistant Examiner* — Steven B Reinholdt, Jr.

(74) *Attorney, Agent, or Firm* — Alleman Hall Creasman & Tuttle LLP

(57) **CLAIM**

The ornamental design for a beverage container cap, as shown and described.

**DESCRIPTION**

FIG. 1 is a first top perspective view of a beverage container cap with a loop in a stowed position.

FIG. 2 is a second top perspective view of the beverage container cap of FIG. 1 with the loop in an unstowed position.

FIG. 3 is a front elevation view of the beverage container cap of FIG. 1 with the loop in a stowed position.

FIG. 4 is a back elevation view thereof.

FIG. 5 is a right-side elevation view thereof.

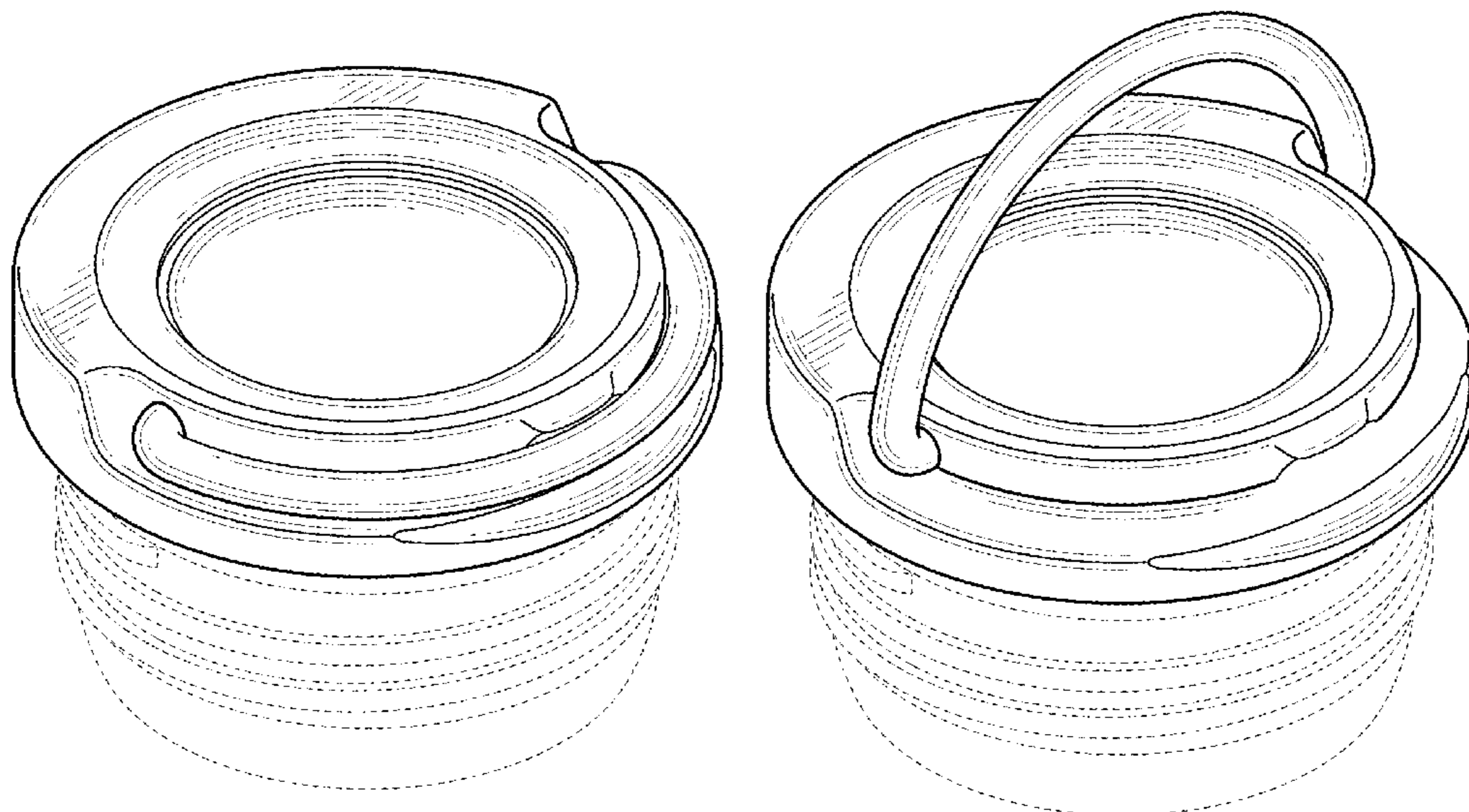
FIG. 6 is a left-side elevation view thereof.

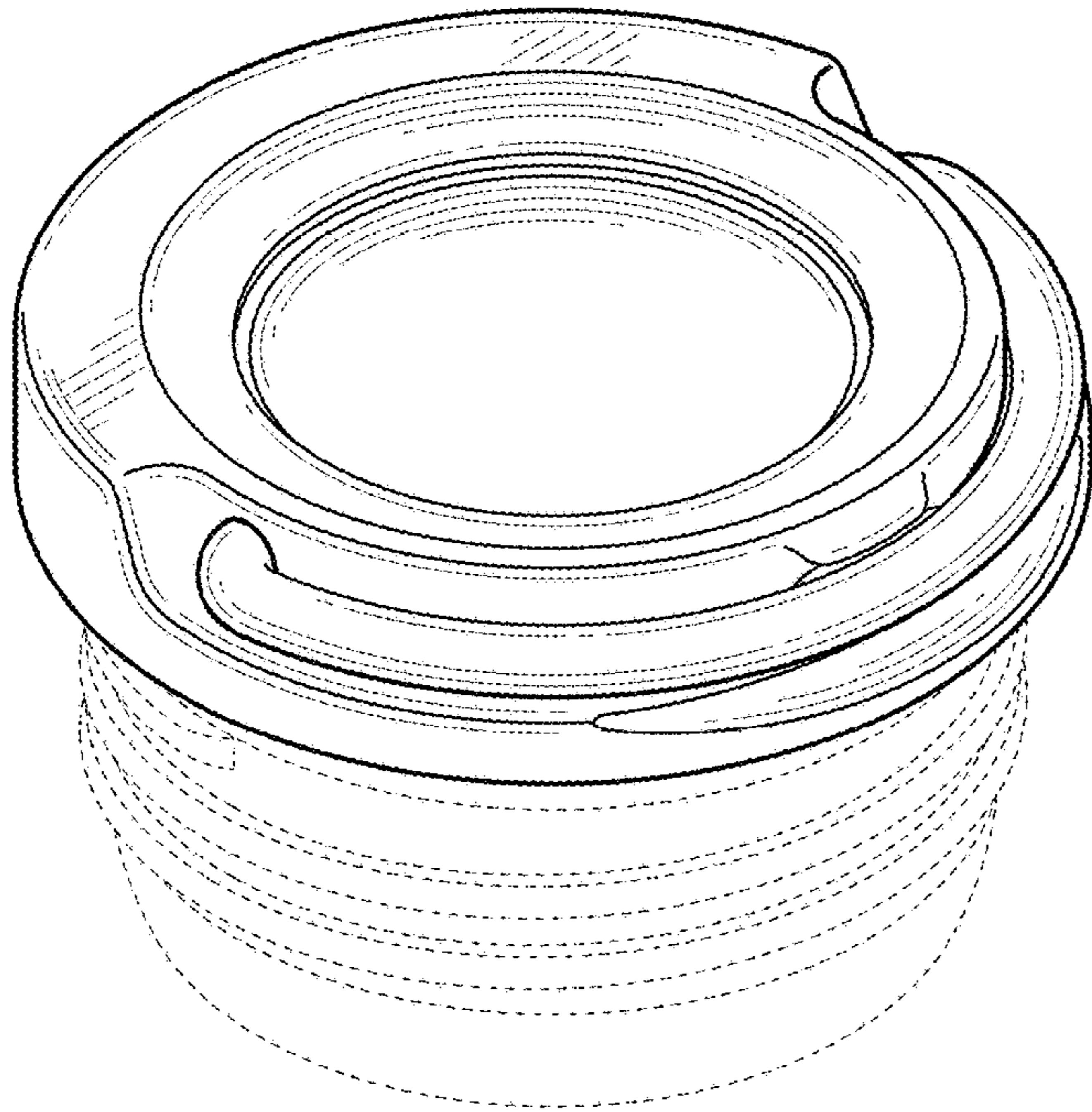
FIG. 7 is a top plan view thereof; and,

FIG. 8 is a bottom plan view thereof.

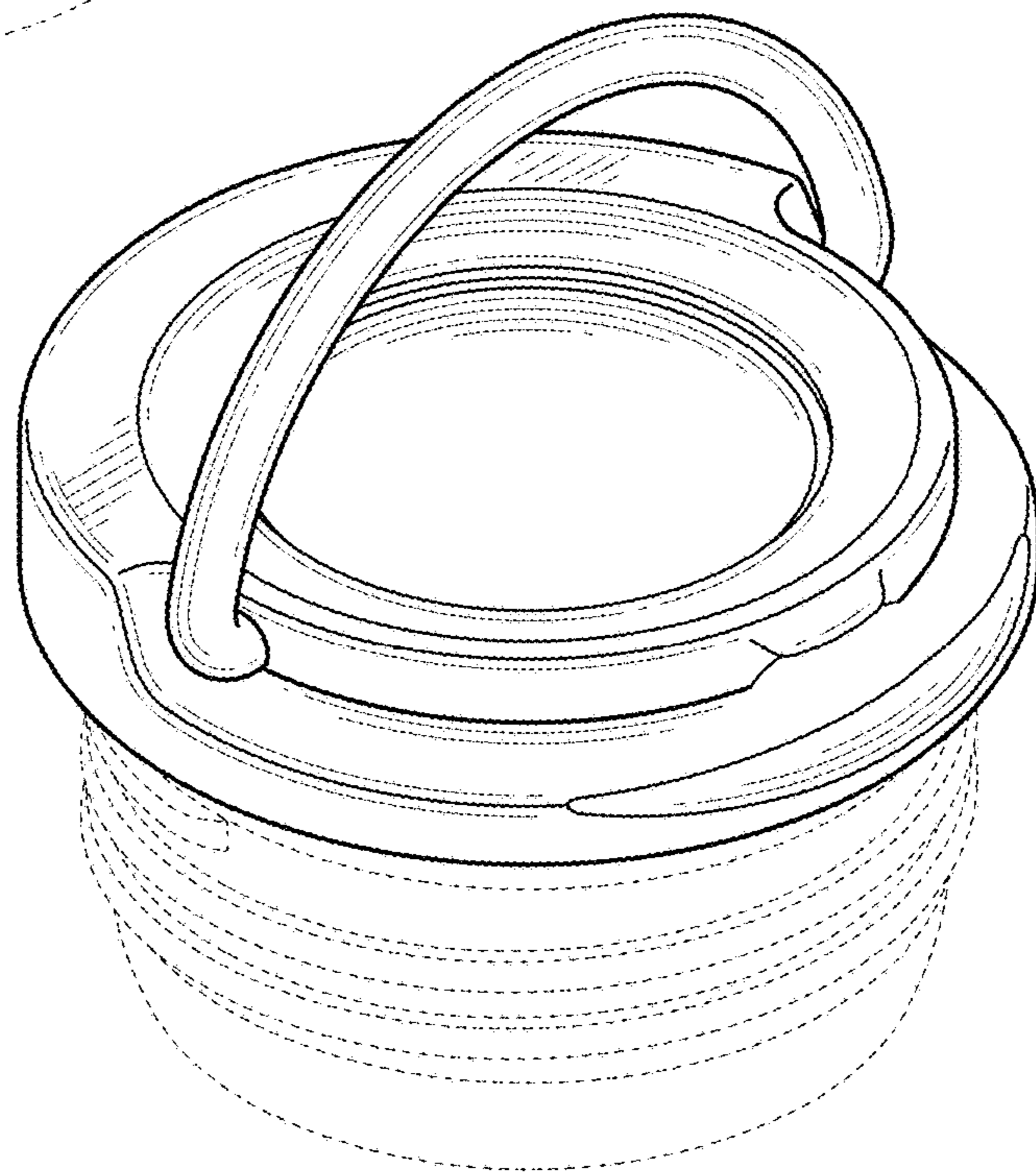
The dashed lines and the areas within them in FIGS. 1-5 and 8 depict a threaded lower portion of the beverage container cap that forms no part of the claimed design. The dashed lines and the areas within them in FIG. 6 depict the environment of a vacuum flask that forms no part of the claimed design.

**1 Claim, 4 Drawing Sheets**

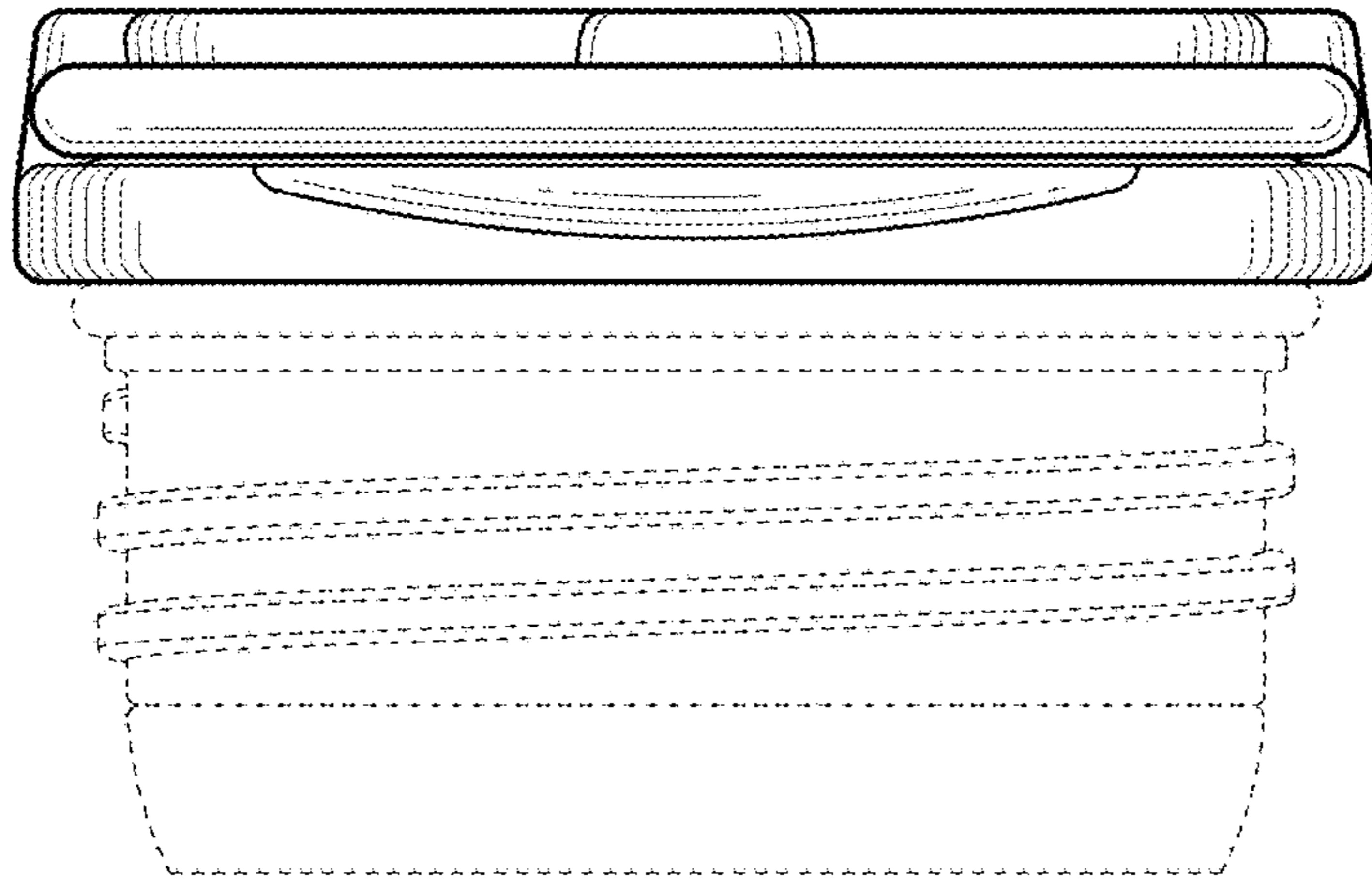




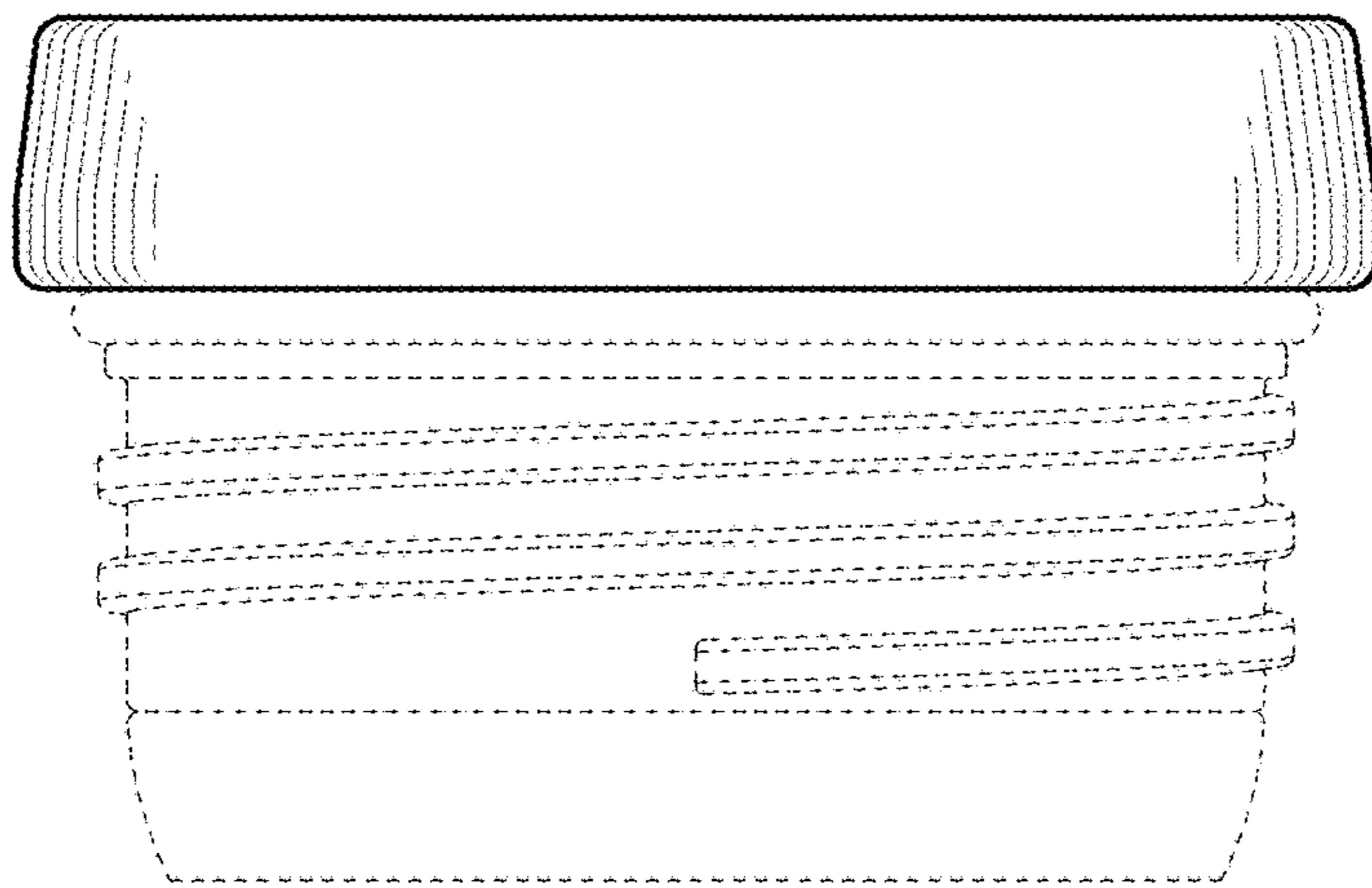
**FIG. 1**



**FIG. 2**

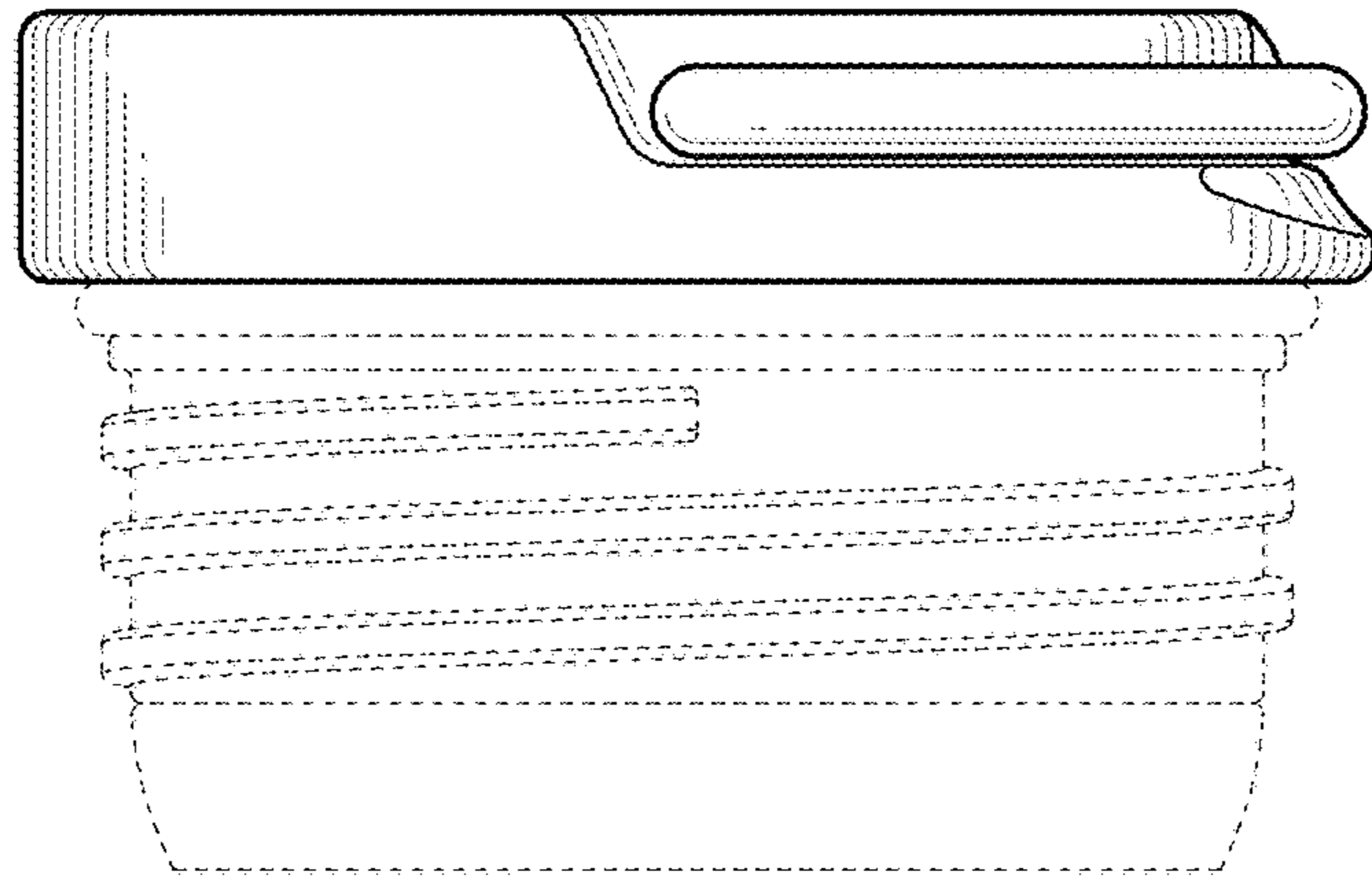


**FIG. 3**

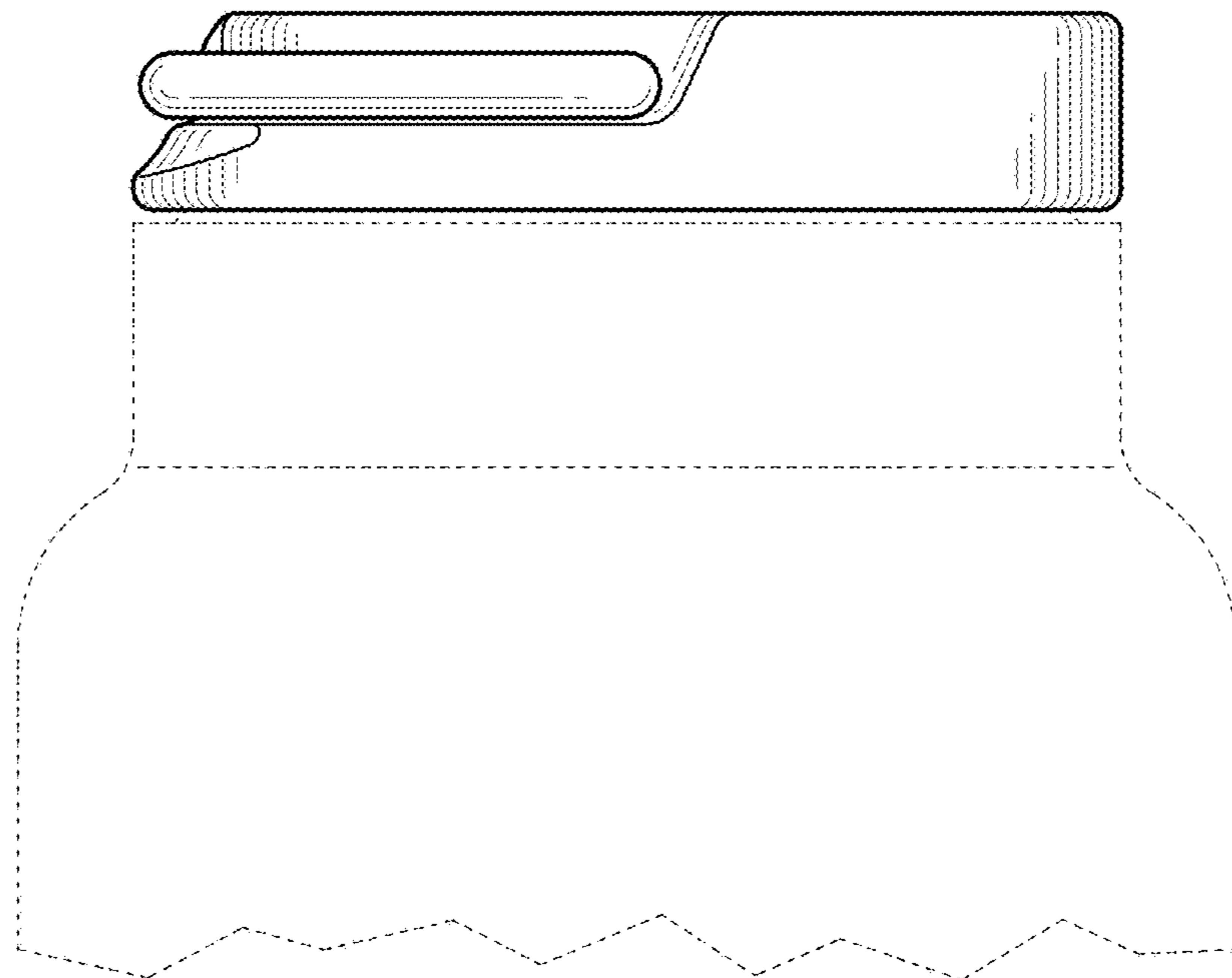


**FIG. 4**





**FIG. 5**



**FIG. 6**

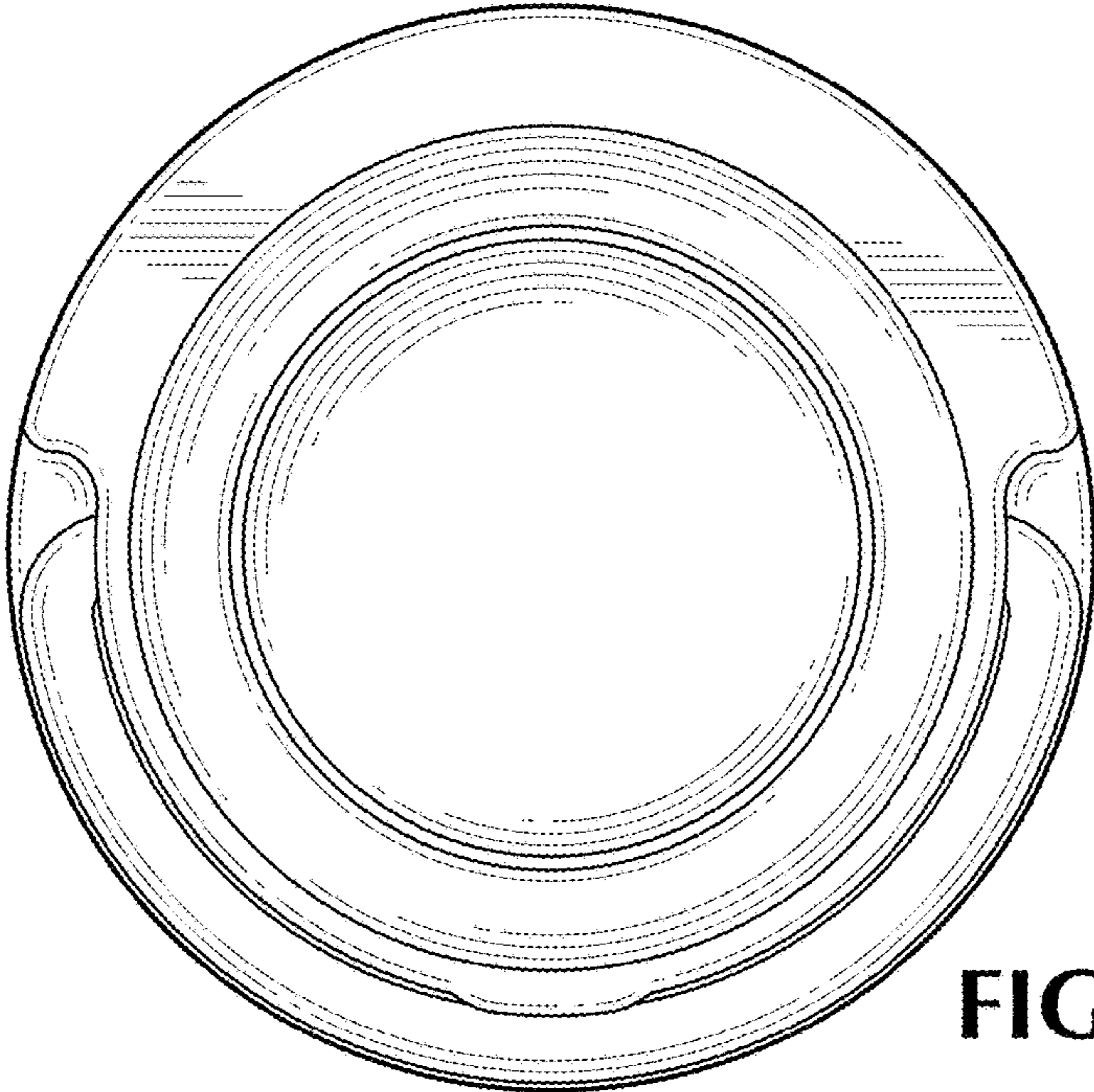


FIG. 7

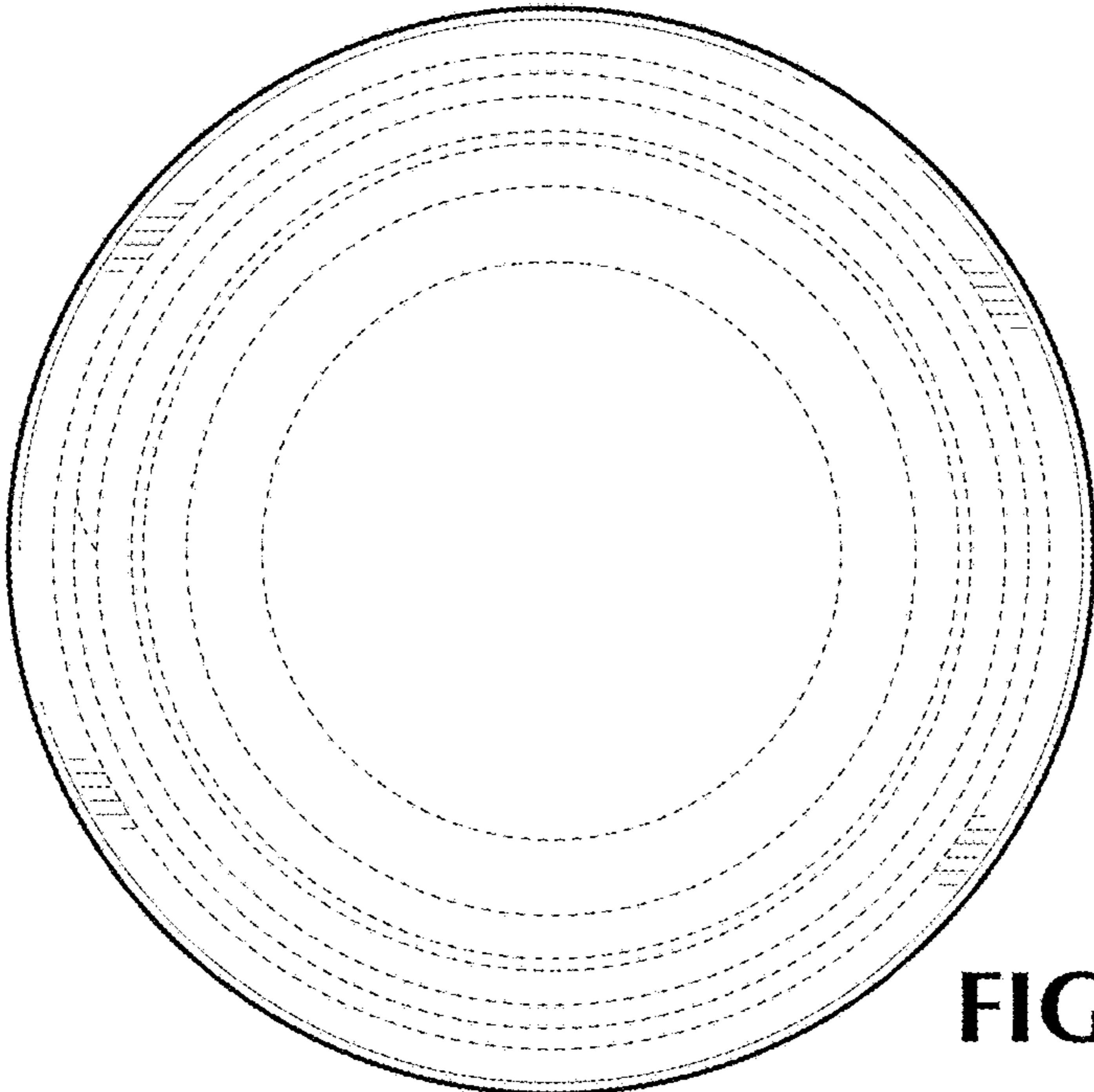


FIG. 8