



US00D853178S

(12) **United States Design Patent**
Carrette

(10) **Patent No.:** **US D853,178 S**

(45) **Date of Patent:** **** Jul. 9, 2019**

- (54) **COVER FOR A RICE COOKER**
- (71) Applicant: **Dart Industries Inc.**, Orlando, FL (US)
- (72) Inventor: **Johan Carrette**, Brussels (BE)
- (73) Assignee: **Dart Industries Inc.**, Orlando, FL (US)
- (**) Term: **15 Years**
- (21) Appl. No.: **29/610,516**
- (22) Filed: **Jul. 13, 2017**
- (51) **LOC (11) Cl.** **07-99**
- (52) **U.S. Cl.**
USPC **D7/391**
- (58) **Field of Classification Search**
USPC D7/402, 405, 391, 392.1, 538, 323,
D7/354-361, 542, 629; D9/435, 780, 503
CPC A47J 27/04; A47J 27/004; A47J 27/08
See application file for complete search history.

- D708,470 S * 7/2014 Heiberg D7/354
- D727,091 S * 4/2015 Mok D7/391
- D807,113 S * 1/2018 Pallotto D7/391

OTHER PUBLICATIONS

Tupperware Rice Cooker; Sep. 22, 2008.

* cited by examiner

Primary Examiner — Sheryl Lane

Assistant Examiner — Nicole C Shiflet

(74) *Attorney, Agent, or Firm* — Taylor J. Ross

(57) **CLAIM**

The ornamental design for a cover for a rice cooker, as shown and described.

DESCRIPTION

FIG. 1 is a top, front and left side perspective view of a cover for a rice cooker showing my new design;

FIG. 2 is a bottom, rear and left side perspective view thereof;

FIG. 3 is a top plan view thereof;

FIG. 4 is a bottom plan view thereof;

FIG. 5 is a front elevation view, the rear elevation being identical thereto;

FIG. 6 is a left side elevation view, the right side being identical thereto;

FIG. 7 is a cross-sectional view taken along line 7-7 of FIG. 3; and,

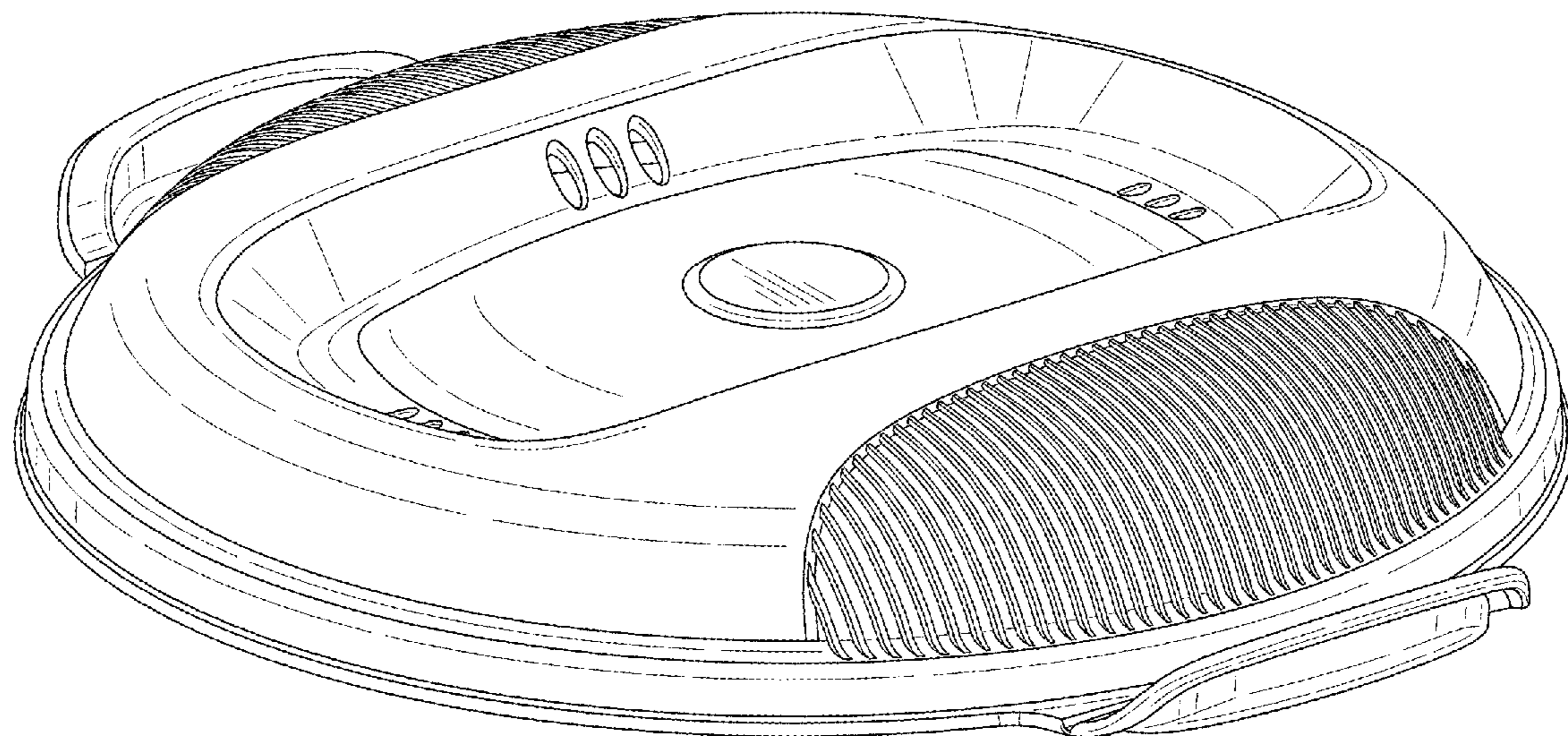
FIG. 8 is a cross-sectional view taken along line 8-8 of FIG. 3.

(56) **References Cited**

U.S. PATENT DOCUMENTS

- D333,754 S * 3/1993 Conti D7/392.1
- D345,485 S * 3/1994 Leung D7/354
- D535,143 S * 1/2007 Kortleven D7/391
- D625,149 S * 10/2010 Stamper D7/538
- D634,970 S 3/2011 Pallotto
- D635,393 S * 4/2011 Nakatani D7/354
- D641,206 S * 7/2011 Heiberg D7/378
- D641,207 S * 7/2011 Backaert D7/391
- D653,902 S 2/2012 Chen
- D661,943 S 6/2012 Pallotto et al.
- D700,799 S * 3/2014 Ludeman D7/391

1 Claim, 6 Drawing Sheets



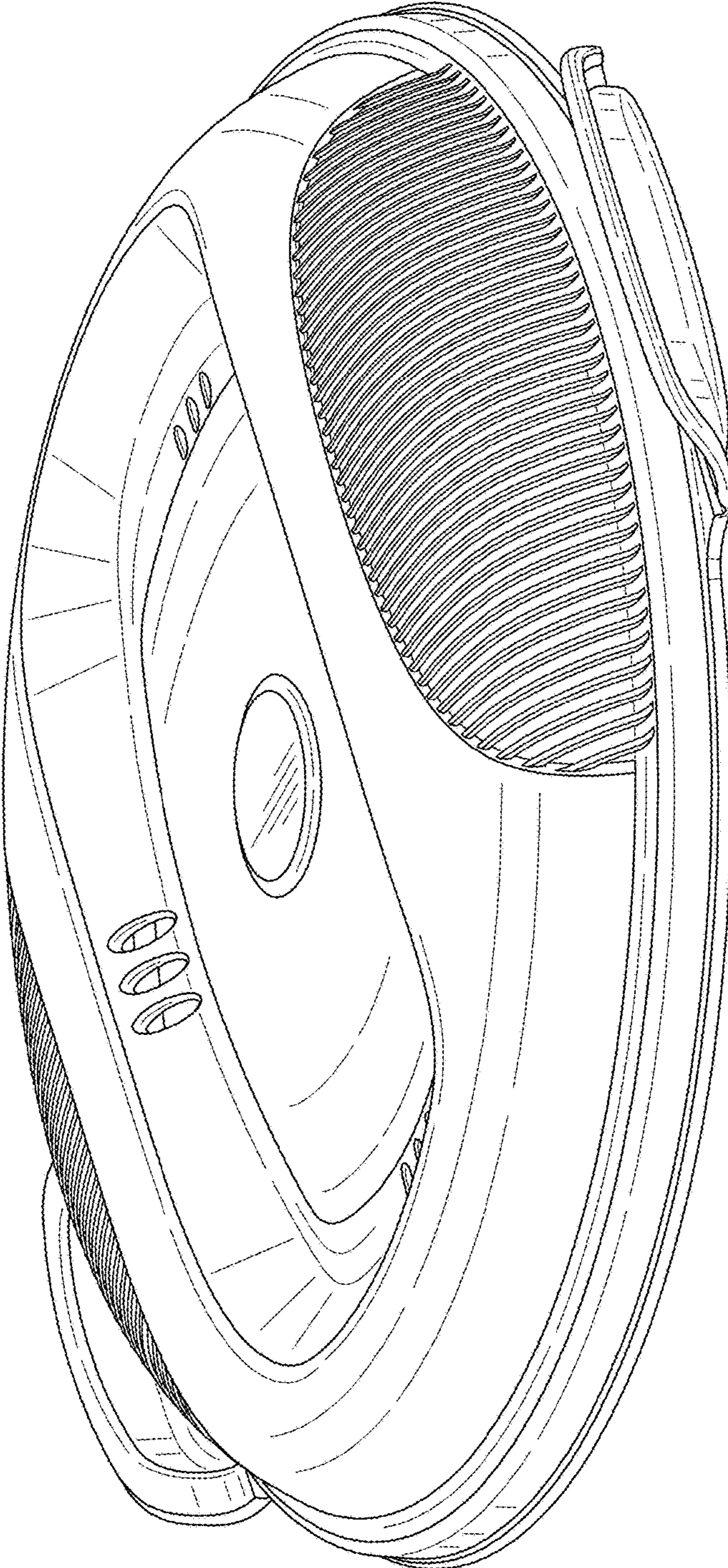


FIG. 1

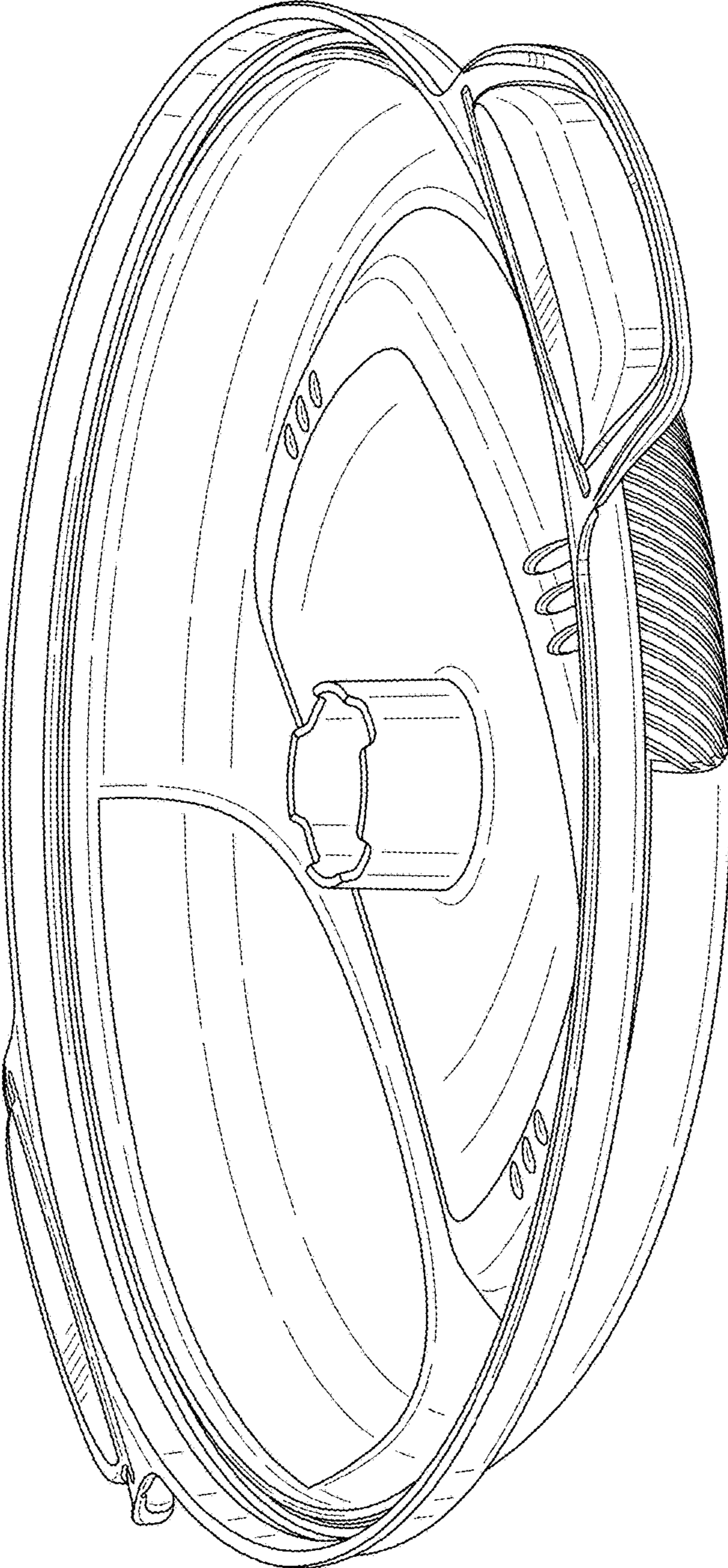


FIG. 2

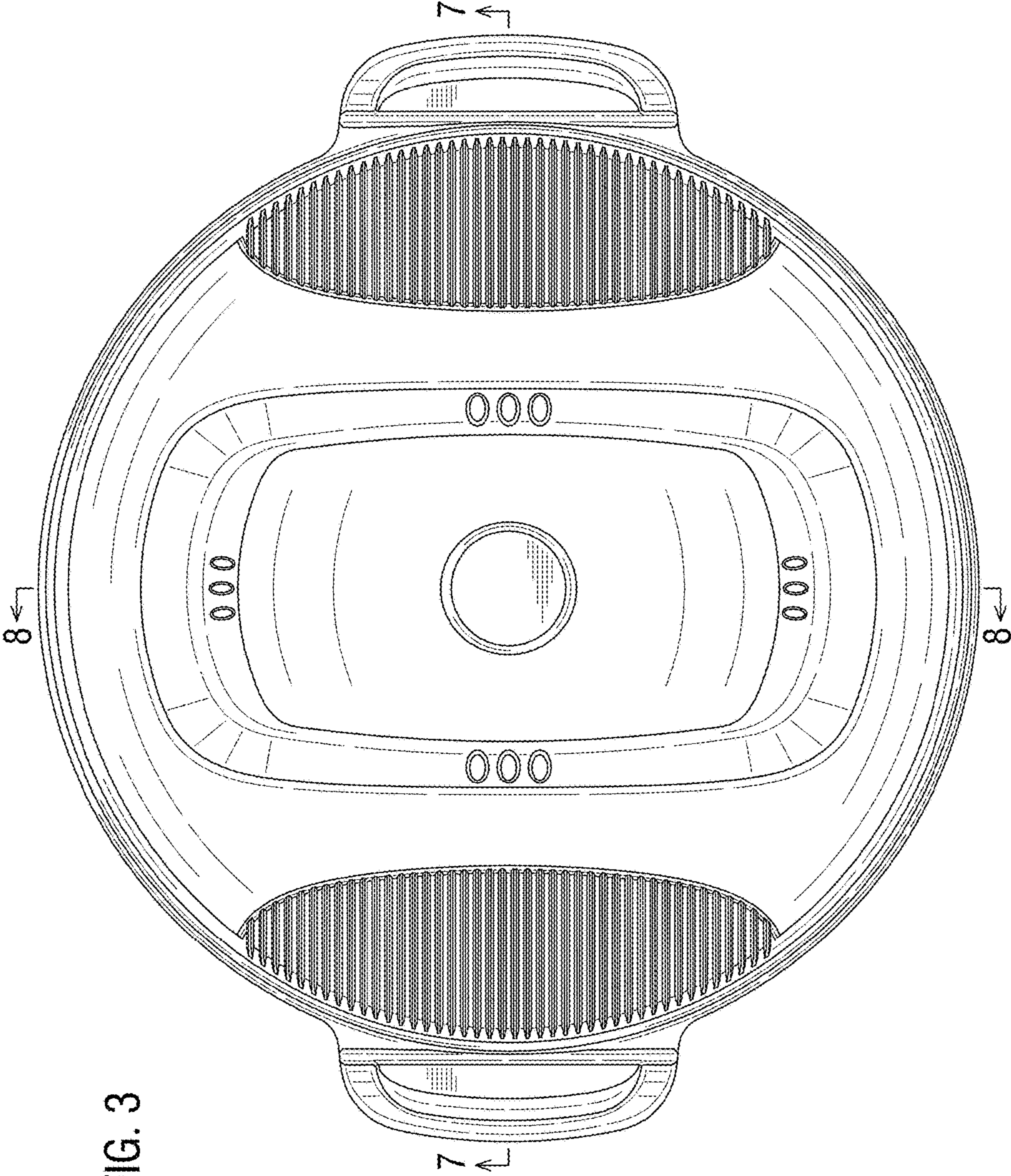


FIG. 3

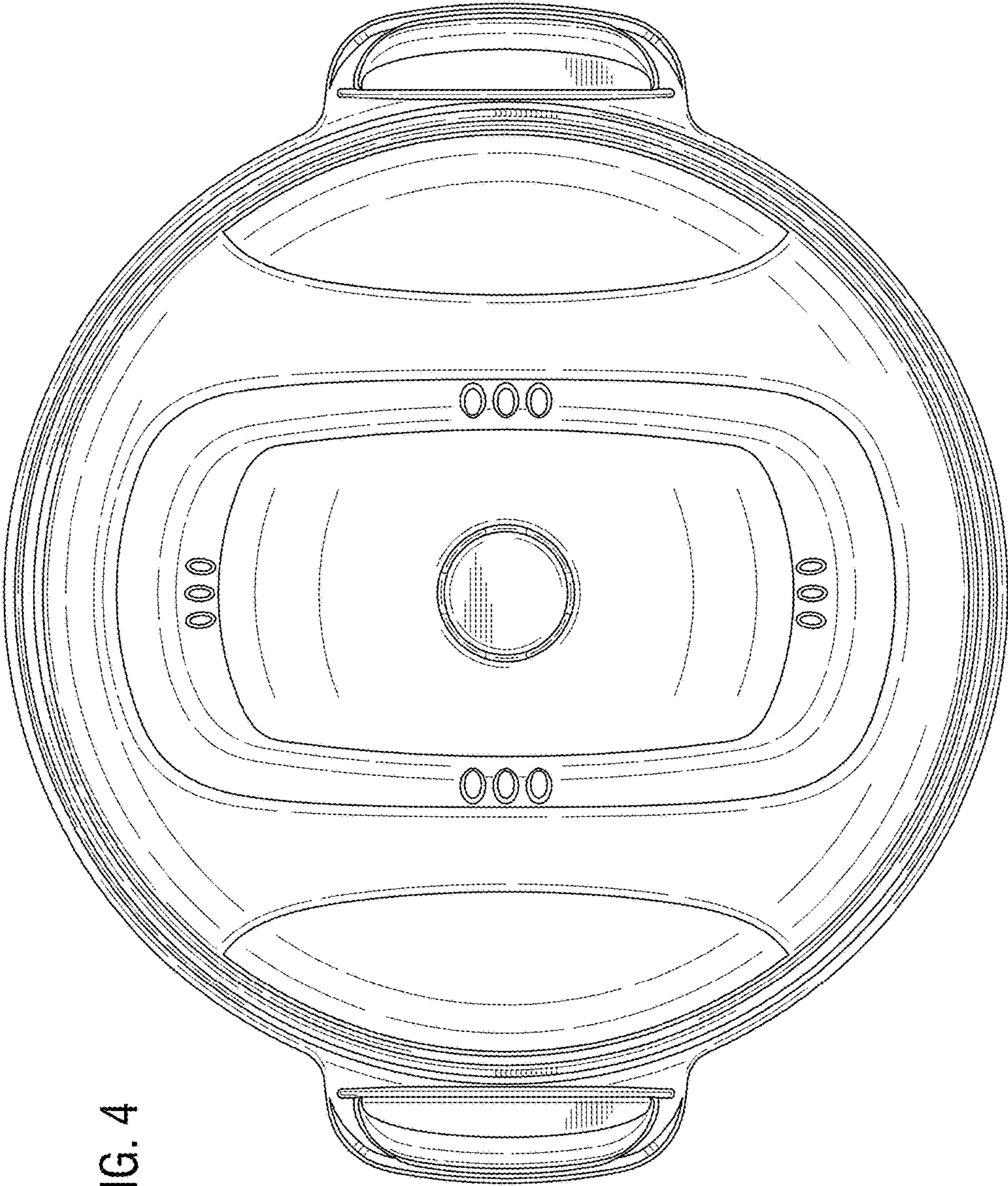


FIG. 4

FIG. 5

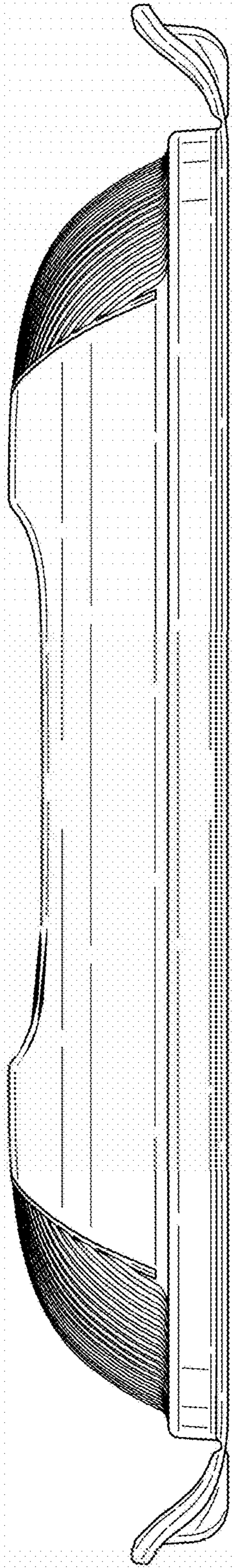


FIG. 6

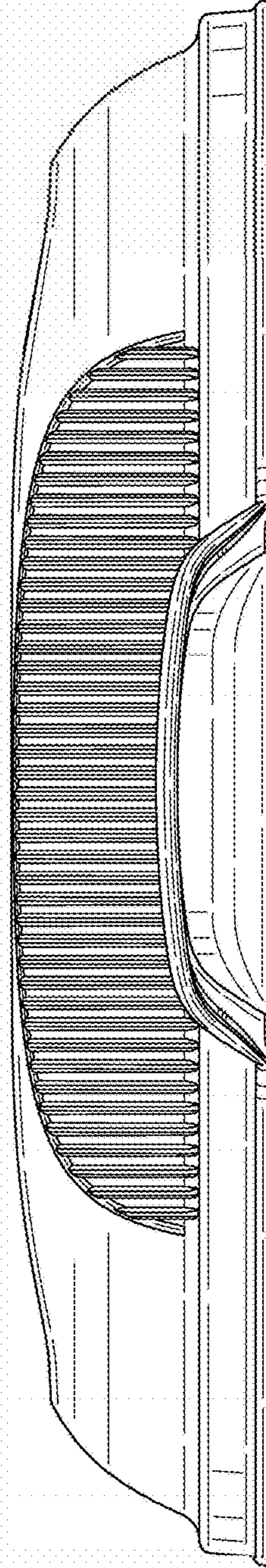


FIG. 7

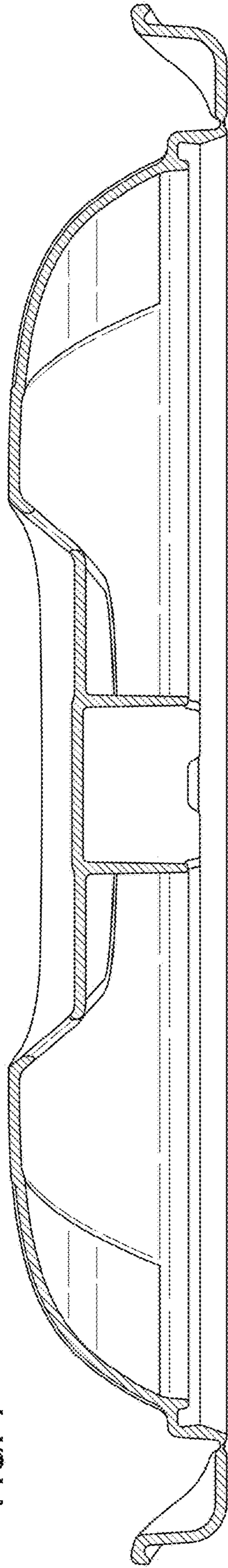


FIG. 8

