



US00D853177S

(12) **United States Design Patent**
McConnell et al.

(10) **Patent No.:** **US D853,177 S**
(45) **Date of Patent:** **** Jul. 9, 2019**

(54) **FOOD PROCESSOR**

(71) Applicant: **WHIRLPOOL CORPORATION**,
Benton Harbor, MI (US)
(72) Inventors: **John W. McConnell**, St. Joseph, MI
(US); **Wenkai Wu**, Aurora, IL (US)
(73) Assignee: **Whirlpool Corporation**, Benton
Harbor, MI (US)
(**) Term: **15 Years**
(21) Appl. No.: **29/629,962**
(22) Filed: **Dec. 18, 2017**
(51) **LOC (11) Cl.** **31-00**
(52) **U.S. Cl.**
USPC **D7/384**; D7/376; D7/378; D7/412
(58) **Field of Classification Search**
USPC D7/372, 376-386, 412-413, 602, 629,
D7/665-666, 669, 679, 693-694; D15/82
CPC A21C 1/02; A21C 1/04; A23N 1/00; A23N
1/02; A47J 43/04; A47J 43/25; A47J
43/27; A47J 43/042; A47J 43/044; A47J
43/046; A47J 43/075; A47J 43/0722;
A47J 43/0727; A47J 43/0777; B01F 3/00;
B01F 3/0807; B01F 3/0853; B01F
13/0059; B01F 13/0064; B02C 1/08;
B02C 2/04; B02C 4/42; B02C 4/142;
B02C 4/143; B02C 4/423; B02C 13/1835;
B28C 5/10; B28C 5/12; B28C 5/14;
B28C 5/16
See application file for complete search history.

(56) **References Cited**

U.S. PATENT DOCUMENTS

D176,257 S 12/1955 Hill et al.
D287,327 S 12/1986 Cavalli
D290,677 S * 7/1987 Stutzer D7/383
(Continued)

Primary Examiner — Ricky Pham
(74) *Attorney, Agent, or Firm* — Price Heneveld LLP

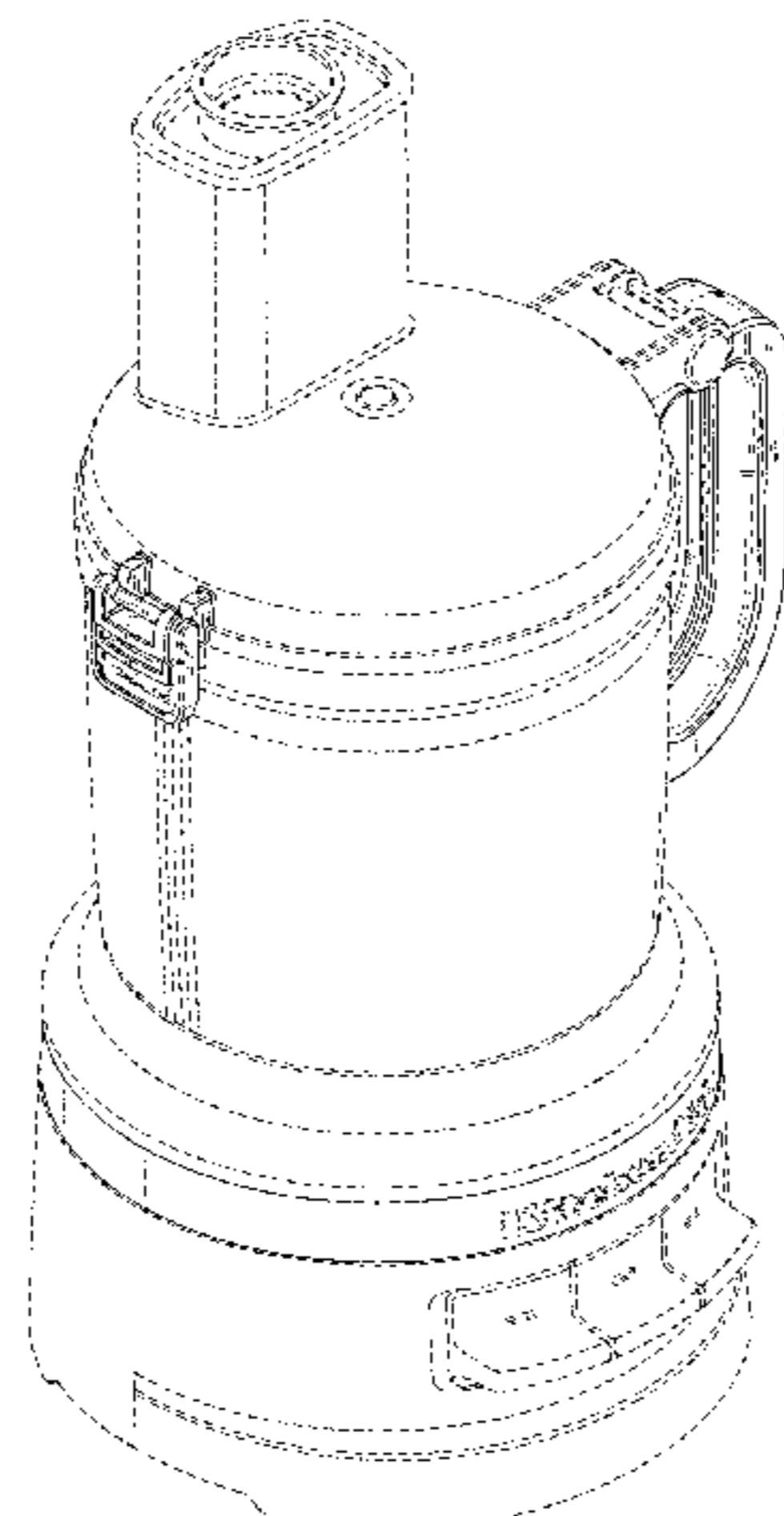
(57) **CLAIM**

We claim the ornamental design for a food processor, as shown and described.

DESCRIPTION

FIG. 1 is a front perspective view of a food processor of the present disclosure;
FIG. 2 is a rear perspective view of the food processor of FIG. 1;
FIG. 3 is a first side elevational view of the food processor of FIG. 1;
FIG. 4 is a second side elevational view of the food processor of FIG. 1;
FIG. 5 is a front elevational view of the food processor of FIG. 1;
FIG. 6 is a rear elevational view of the food processor of FIG. 1;
FIG. 7 is a top plan view of the food processor of FIG. 1;
FIG. 8 is a bottom plan view of the food processor of FIG. 1;
FIG. 9 is a front perspective view of another embodiment of a food processor of the present disclosure;
FIG. 10 is a rear perspective view of the food processor of FIG. 9;
FIG. 11 is a first side elevational view of the food processor of FIG. 9;
FIG. 12 is a second side elevational view of the food processor of FIG. 9;
FIG. 13 is a front elevational view of the food processor of FIG. 9;
FIG. 14 is a rear elevational view of the food processor of FIG. 9;
FIG. 15 is a top plan view of the food processor of FIG. 9; and,
FIG. 16 is a bottom plan view of the food processor of FIG. 9.
The broken lines depict portions of the article that form no part of the claimed design.

1 Claim, 16 Drawing Sheets



(56)

References Cited

U.S. PATENT DOCUMENTS

D310,153	S	8/1990	Kaiser	
D406,154	S *	2/1999	Copland D15/82
D488,344	S	4/2004	Seum et al.	
D502,047	S	2/2005	Ledingham et al.	
D502,842	S	3/2005	Hallar	
7,028,930	B2 *	4/2006	Carnevale A47J 43/0777 241/278.1
D547,601	S	7/2007	Ting et al.	
D577,257	S	9/2008	Kuan	
D578,340	S *	10/2008	Picozza D7/378
D578,341	S	10/2008	Picozza et al.	
D587,064	S	2/2009	Mark	
D613,547	S *	4/2010	Day D7/378
D630,467	S *	1/2011	Harrod D7/372
D631,282	S	1/2011	Ferraby	
D637,870	S	5/2011	Bock	
D644,478	S *	9/2011	Czach D7/372
D644,480	S	9/2011	Czach et al.	
D667,683	S	9/2012	Czach et al.	
D670,531	S	11/2012	Carlson	
D683,180	S	5/2013	Carlson	
D694,572	S	12/2013	Kobos et al.	
D702,993	S	4/2014	Lownds	
8,733,239	B2 *	5/2014	Allen A47J 43/046 241/151
D711,682	S	8/2014	Norland et al.	
D725,432	S *	3/2015	Gao D7/376
D739,679	S	9/2015	Benoit et al.	
D742,683	S *	11/2015	Kim D7/376
D767,327	S *	9/2016	McConnell A47J 43/0777 D7/376
D793,152	S *	8/2017	Gushwa D7/372
D812,416	S *	3/2018	Carlson D7/384

* cited by examiner

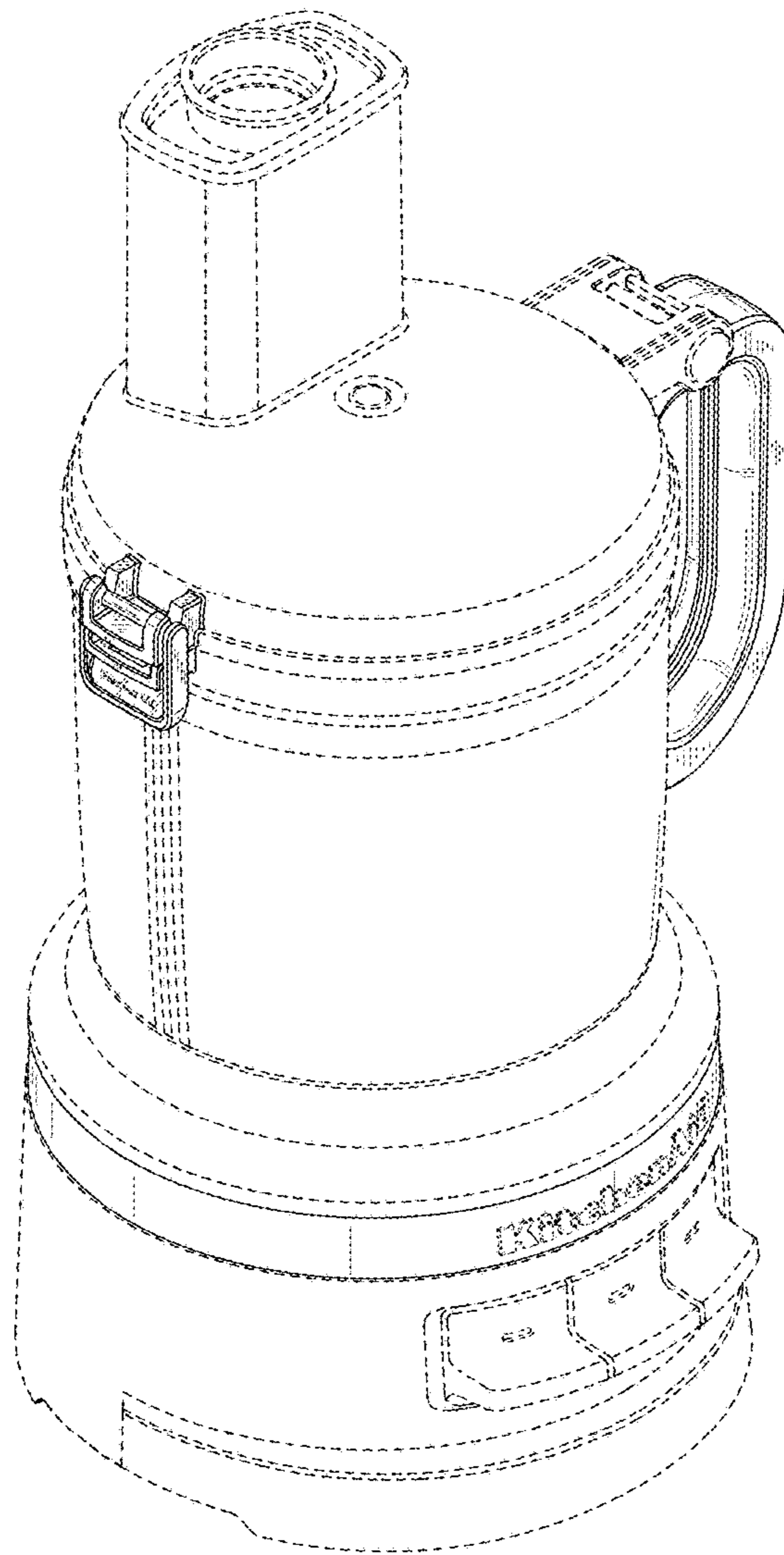


FIG. 1

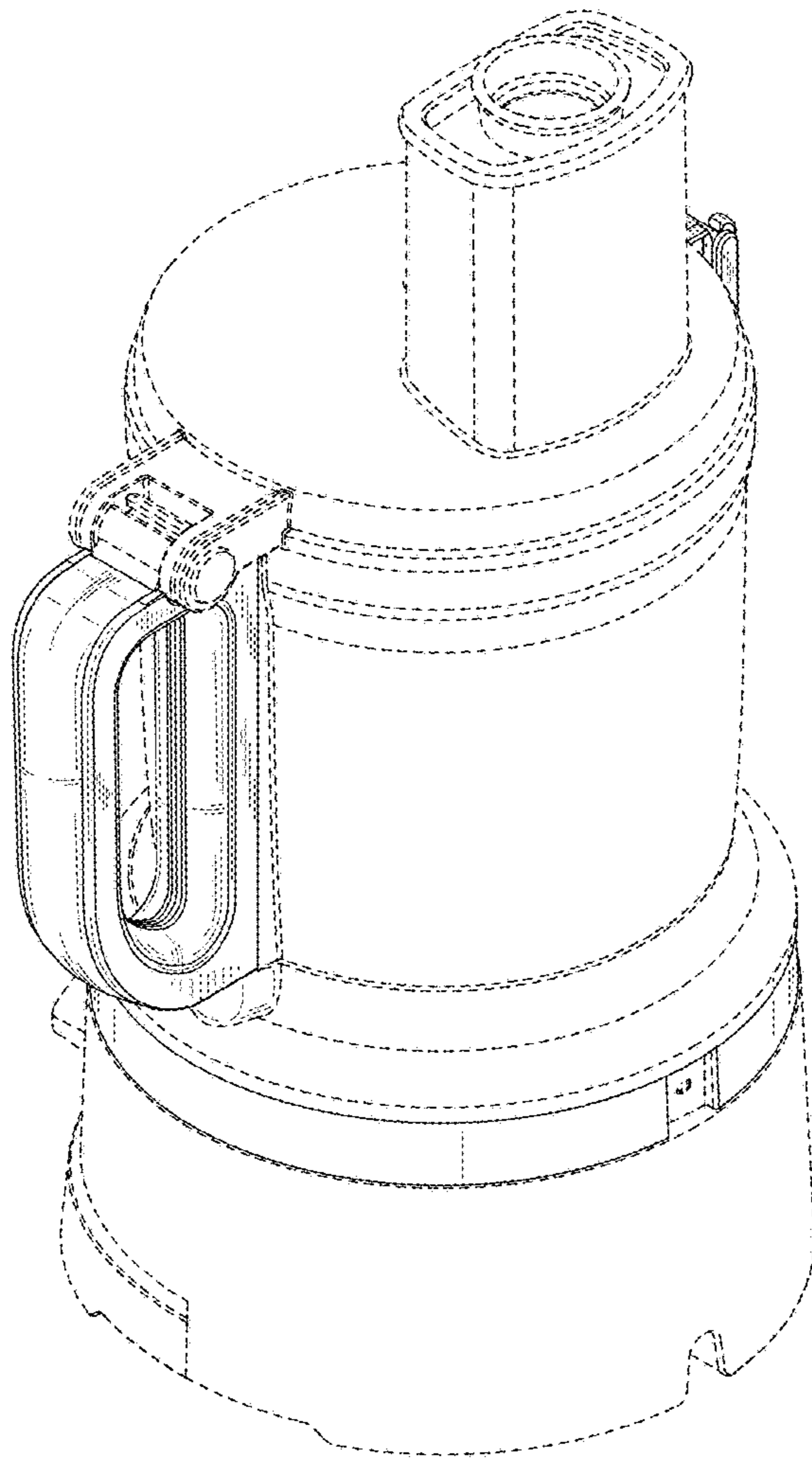


FIG. 2

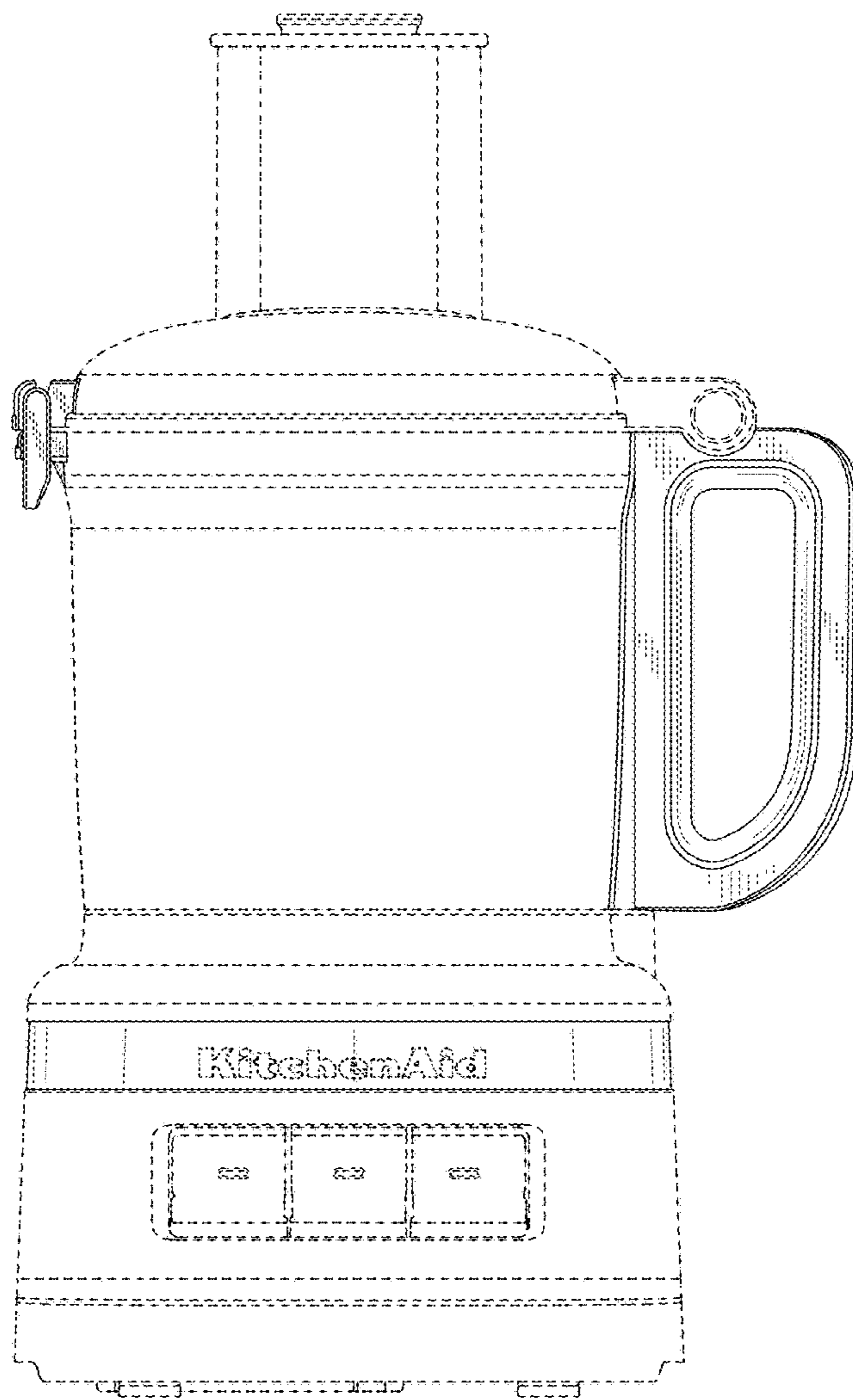


FIG. 3

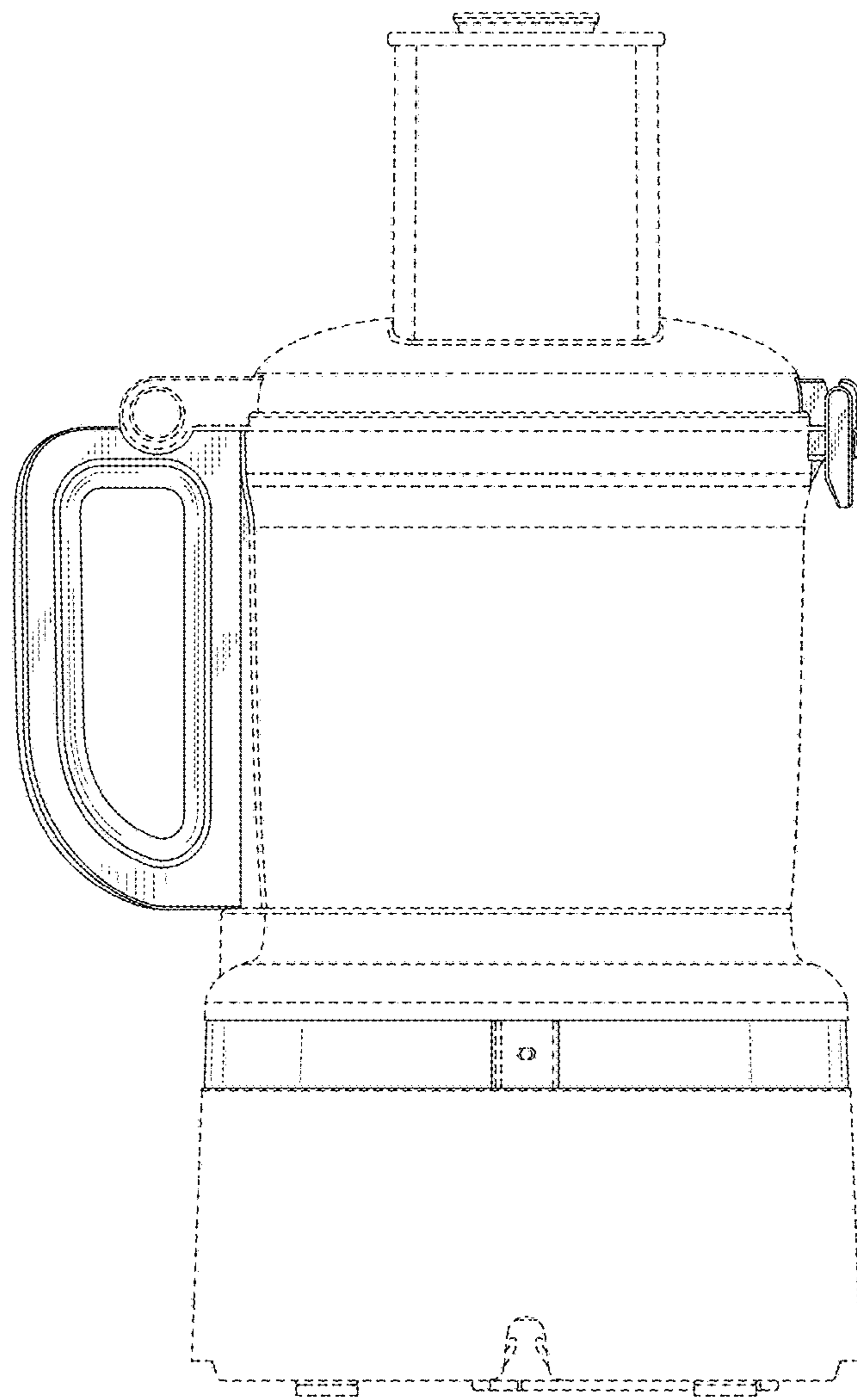


FIG. 4

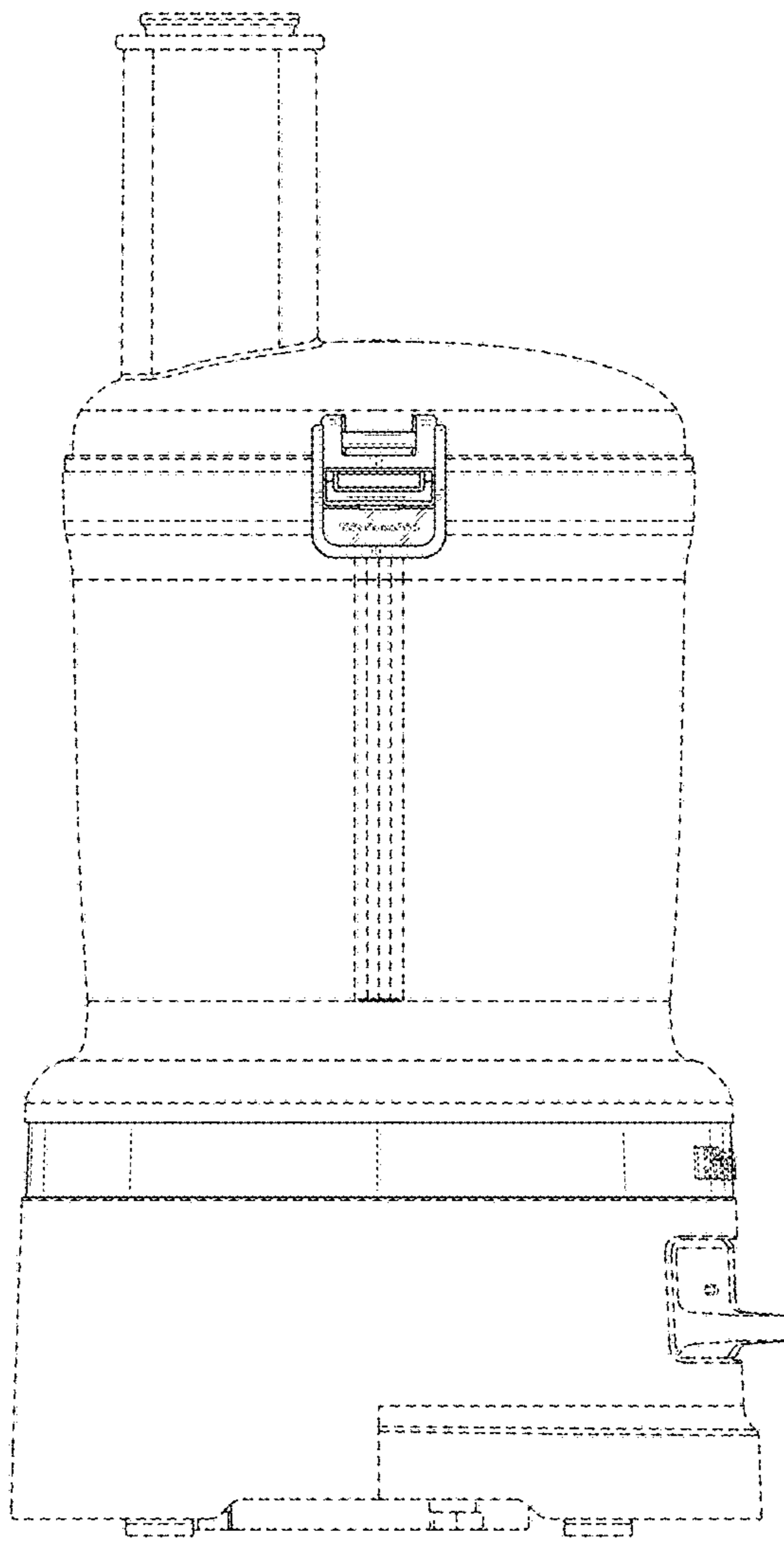


FIG. 5

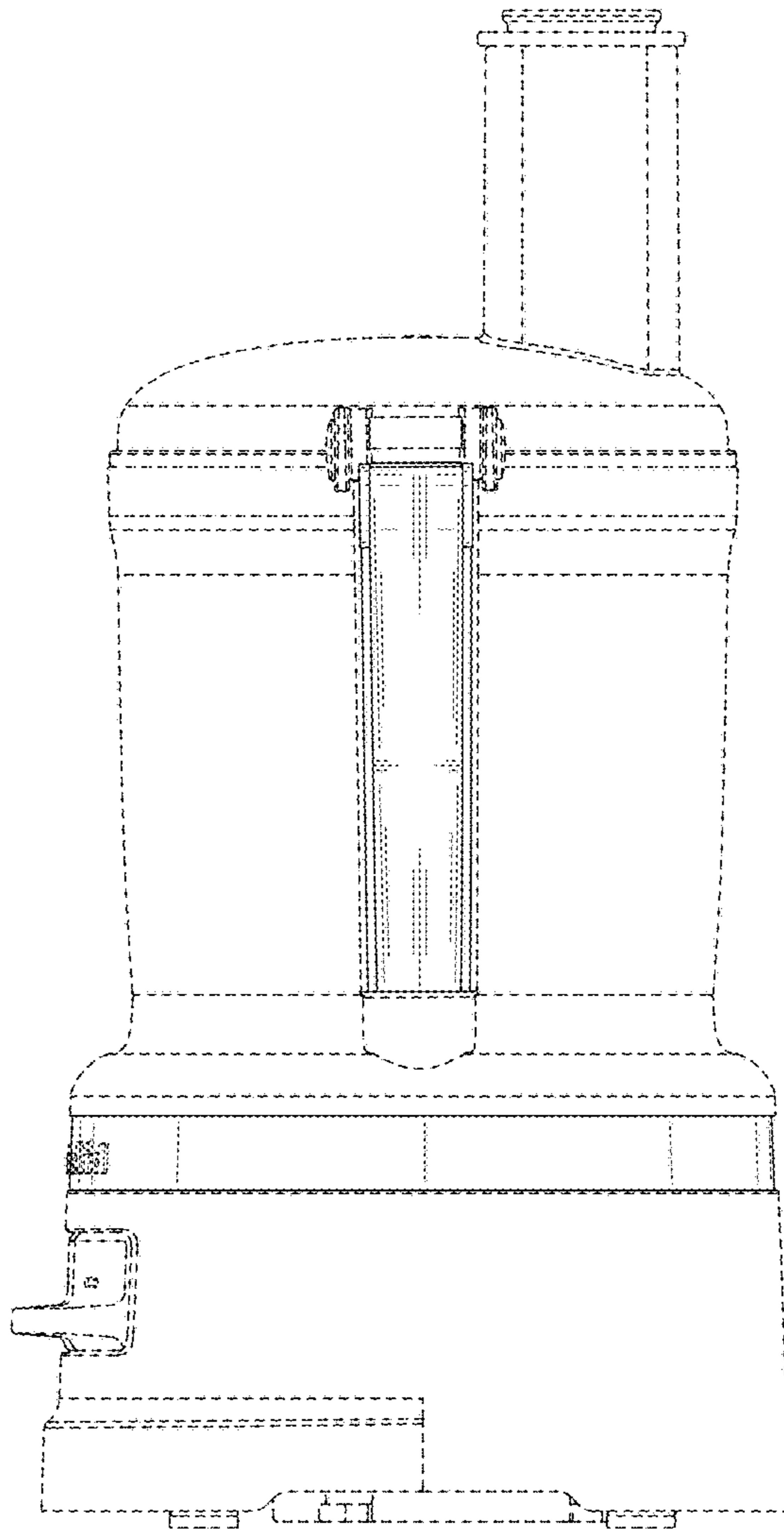


FIG. 6

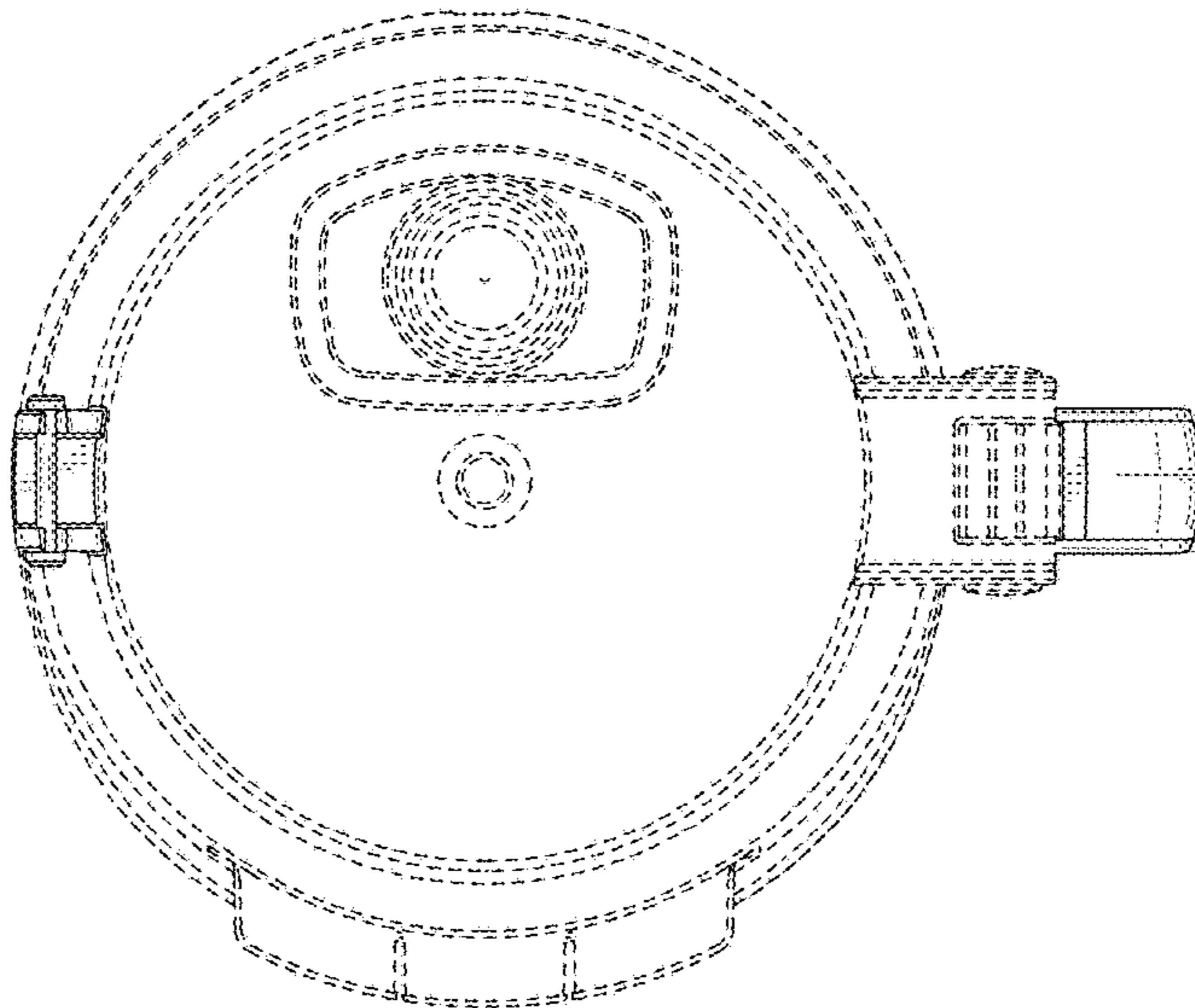


FIG. 7

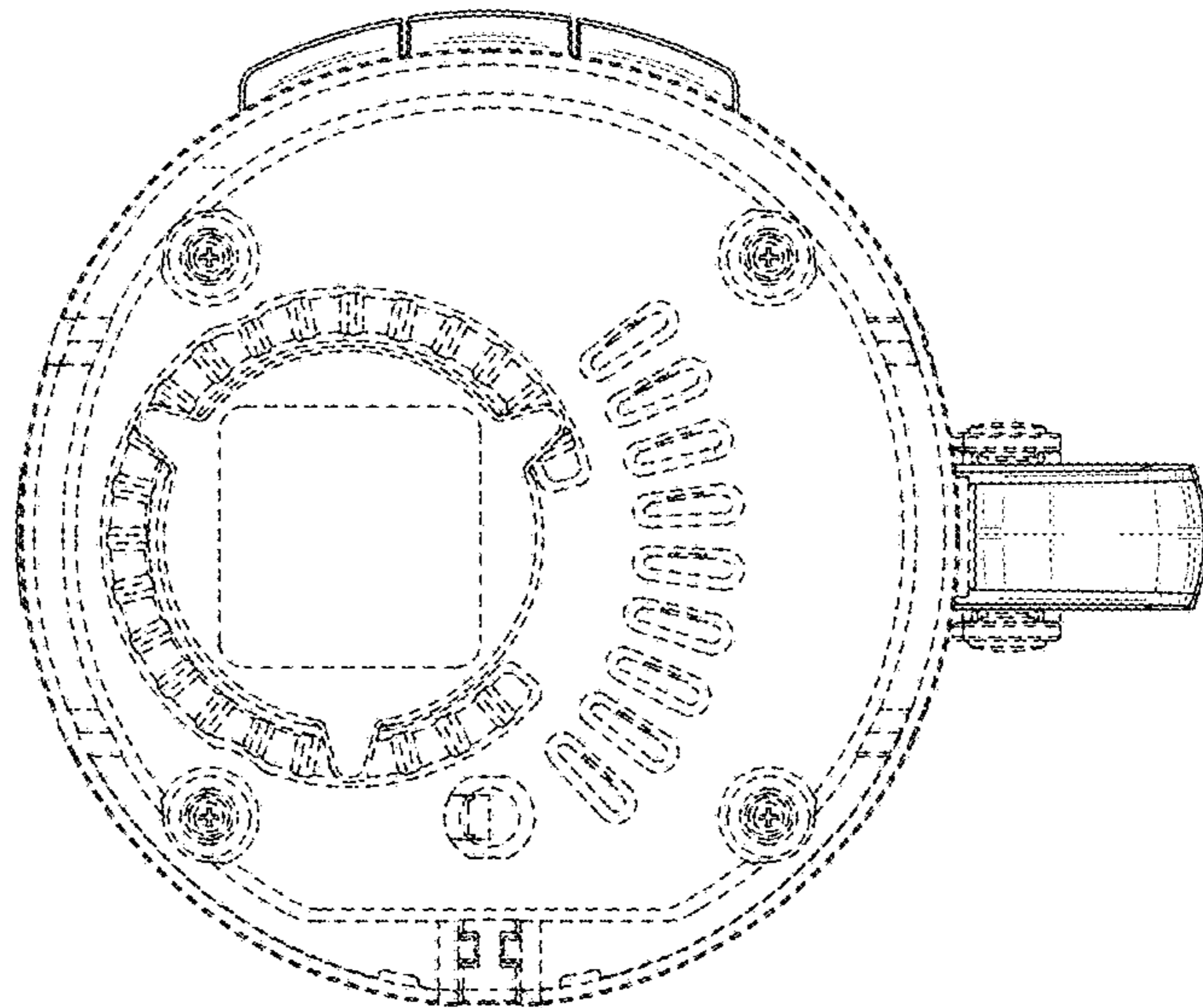


FIG. 8

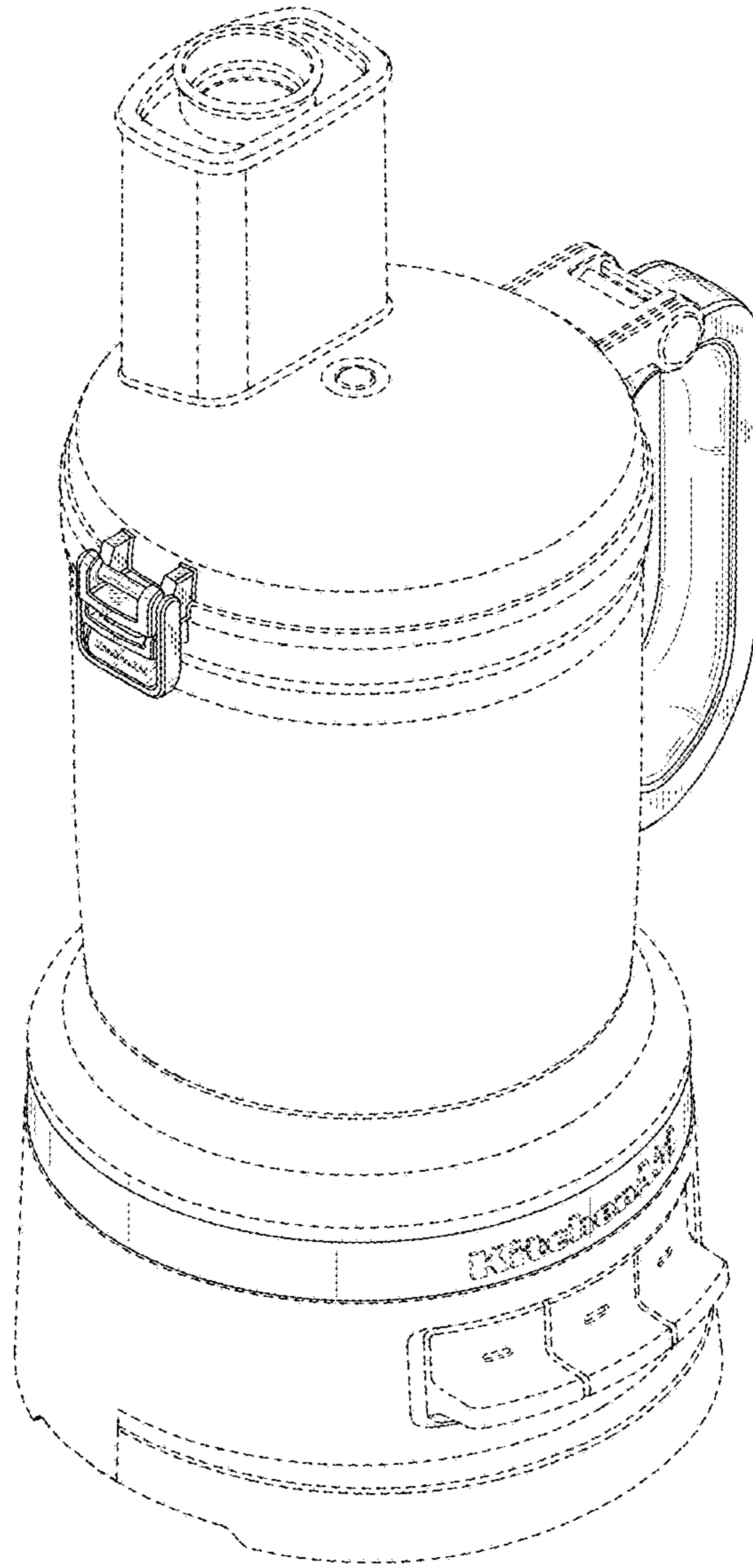


FIG. 9

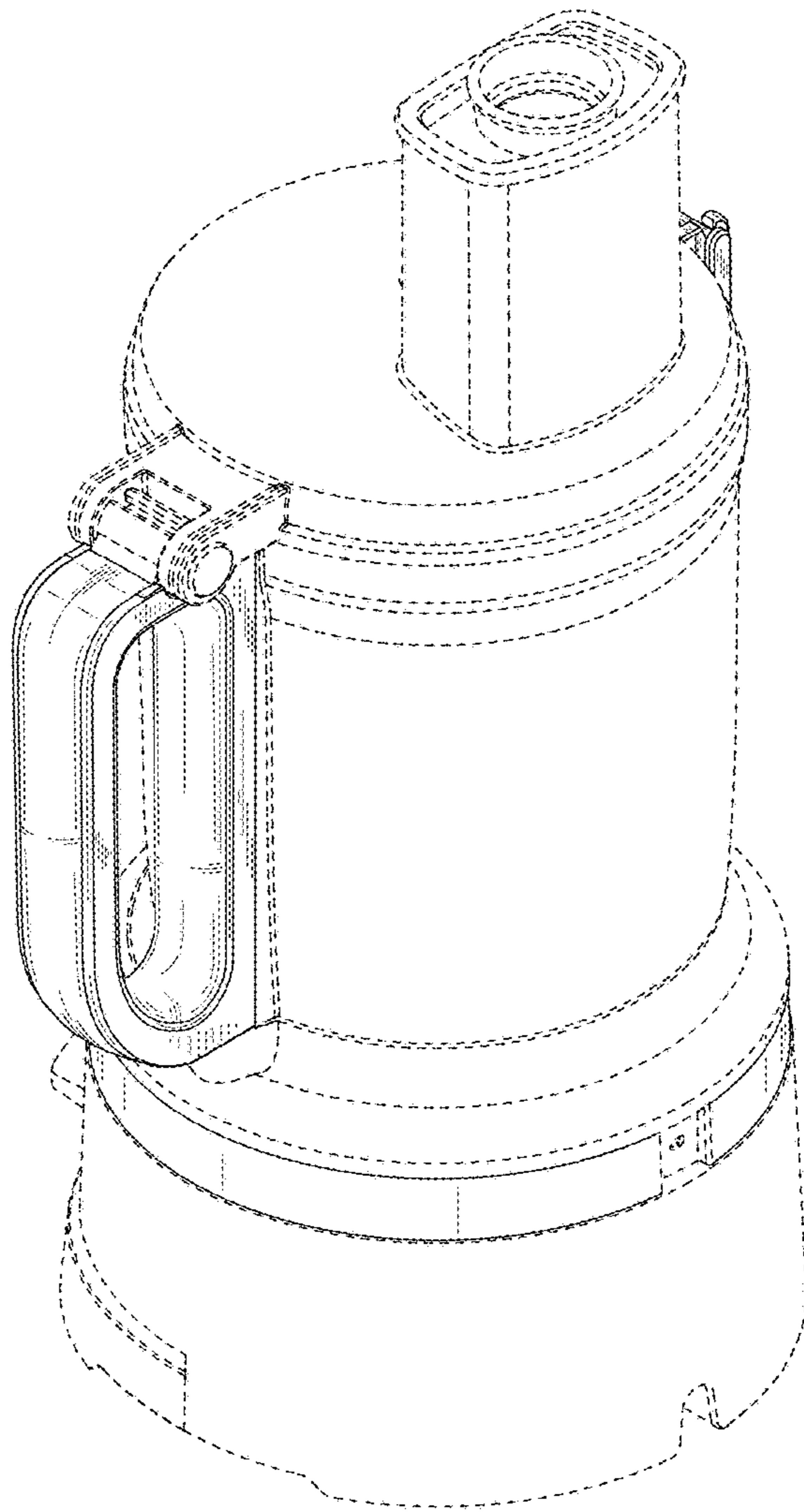


FIG. 10

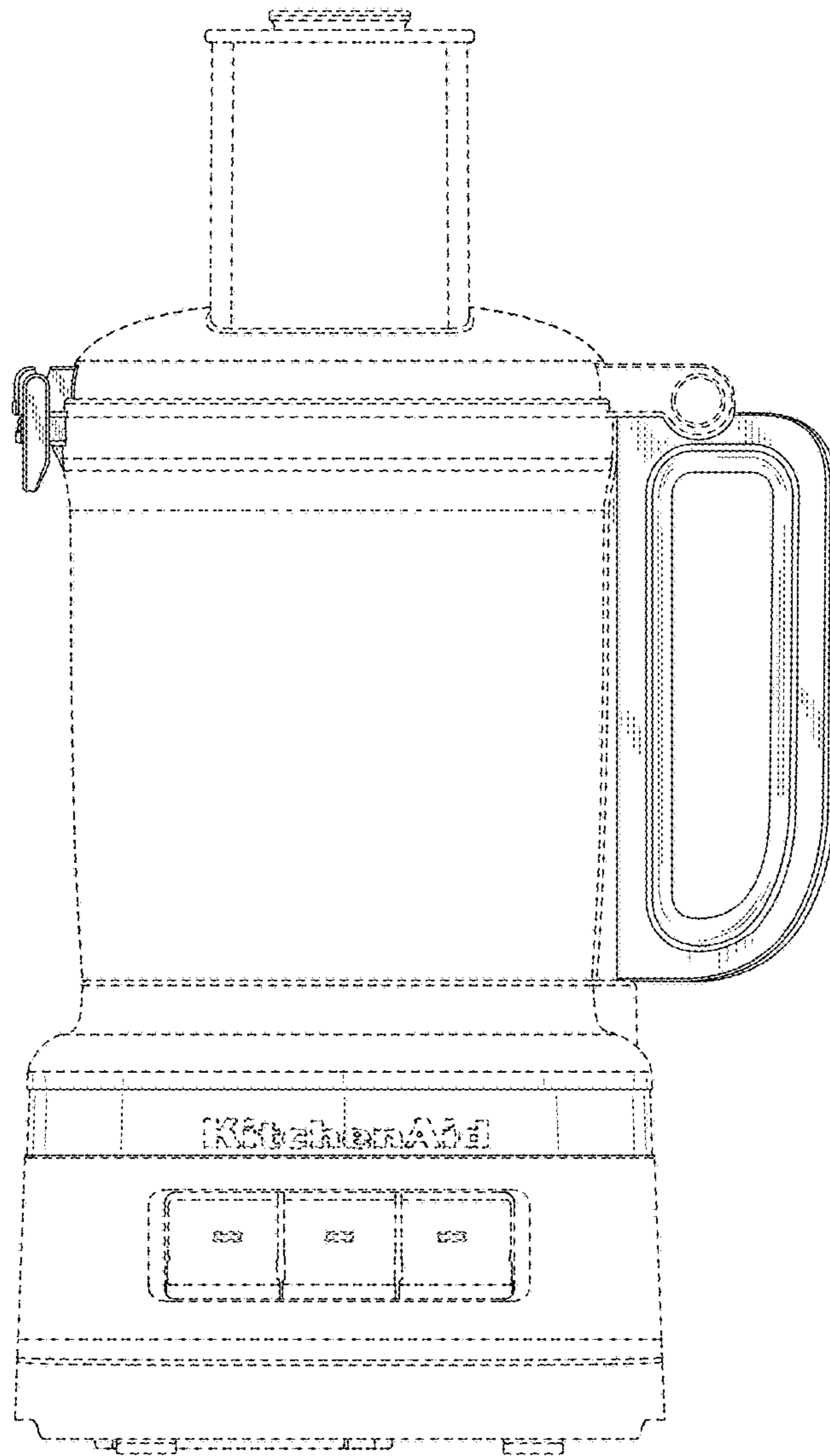


FIG. 11

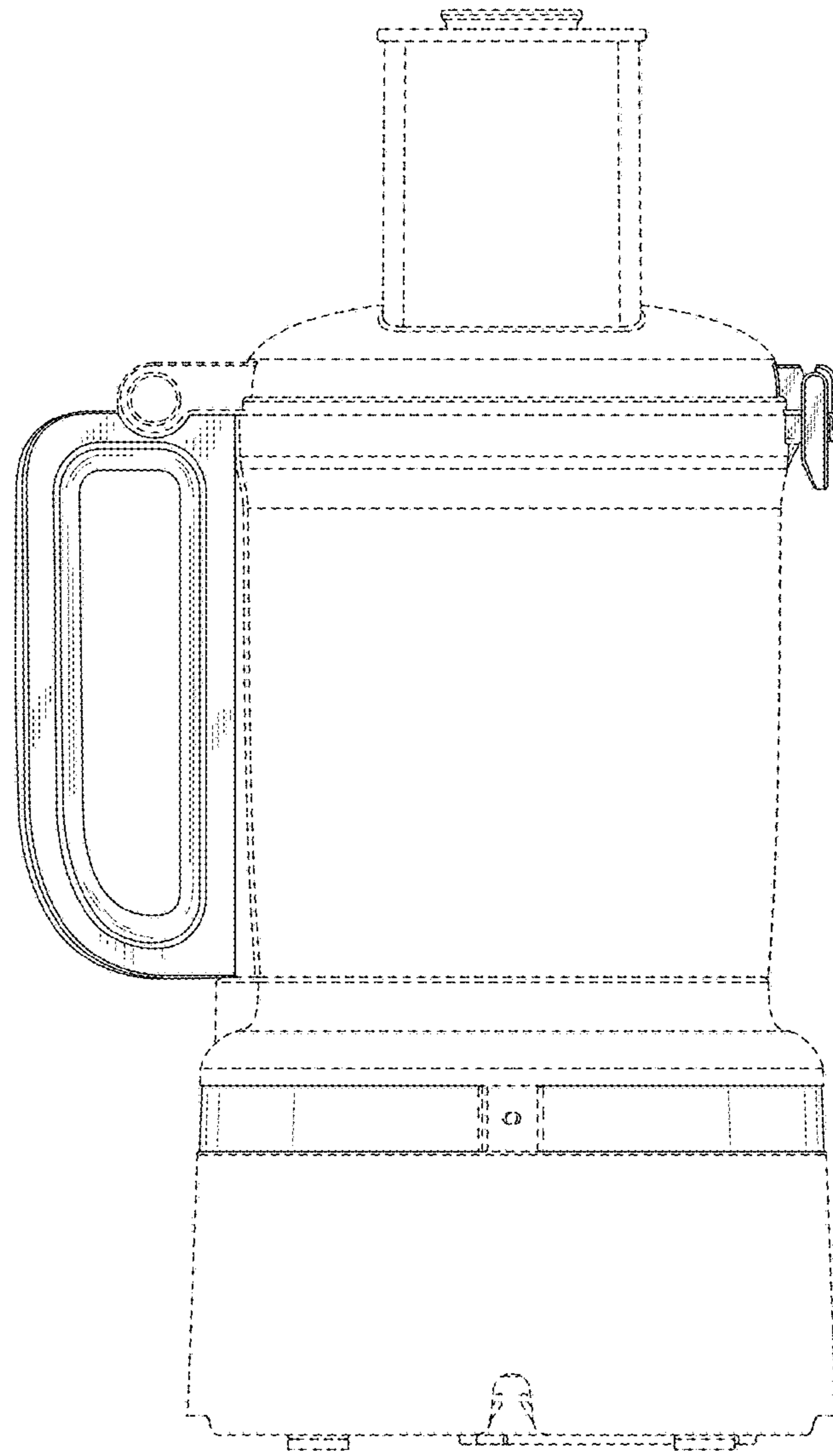


FIG. 12

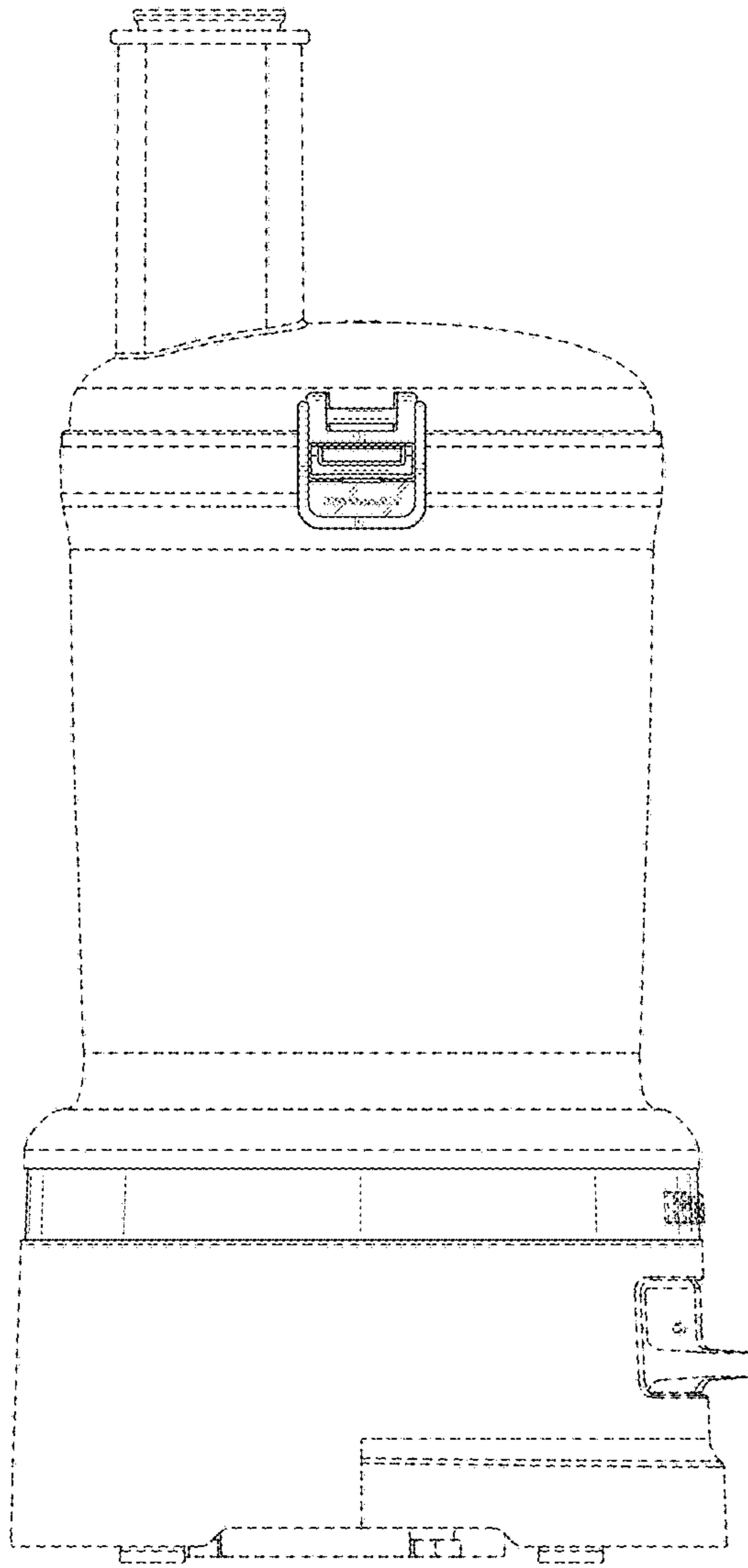


FIG. 13

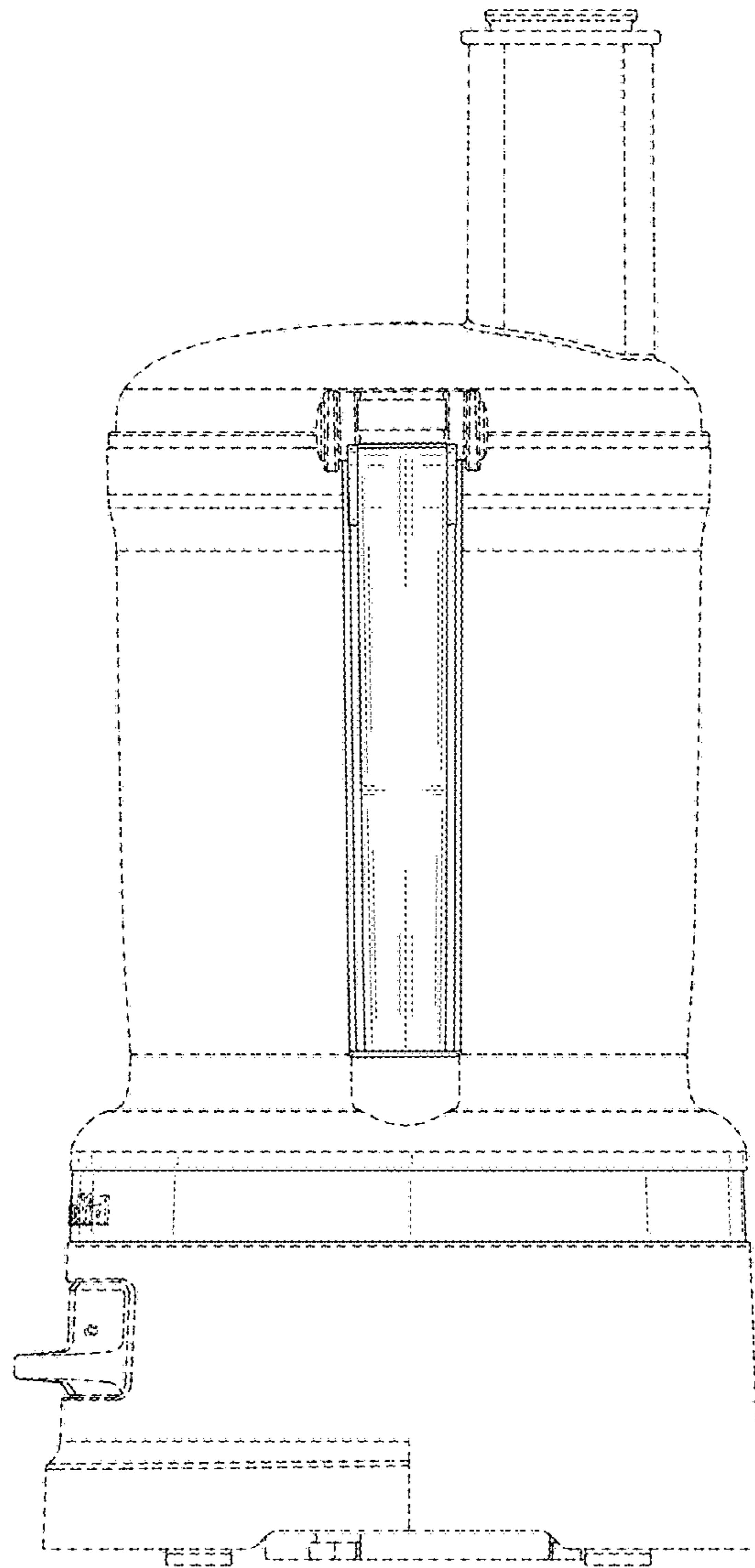


FIG. 14

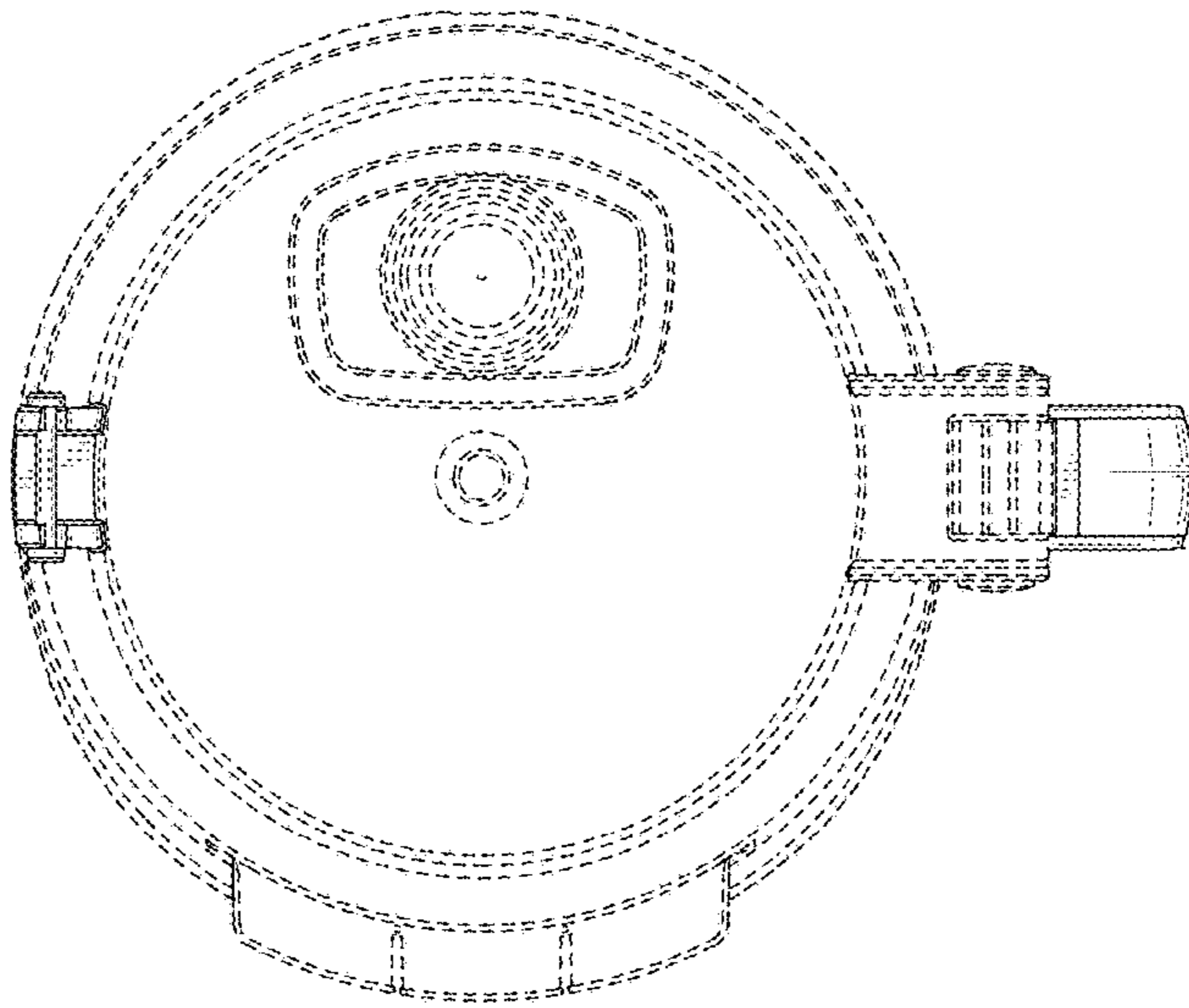


FIG. 15

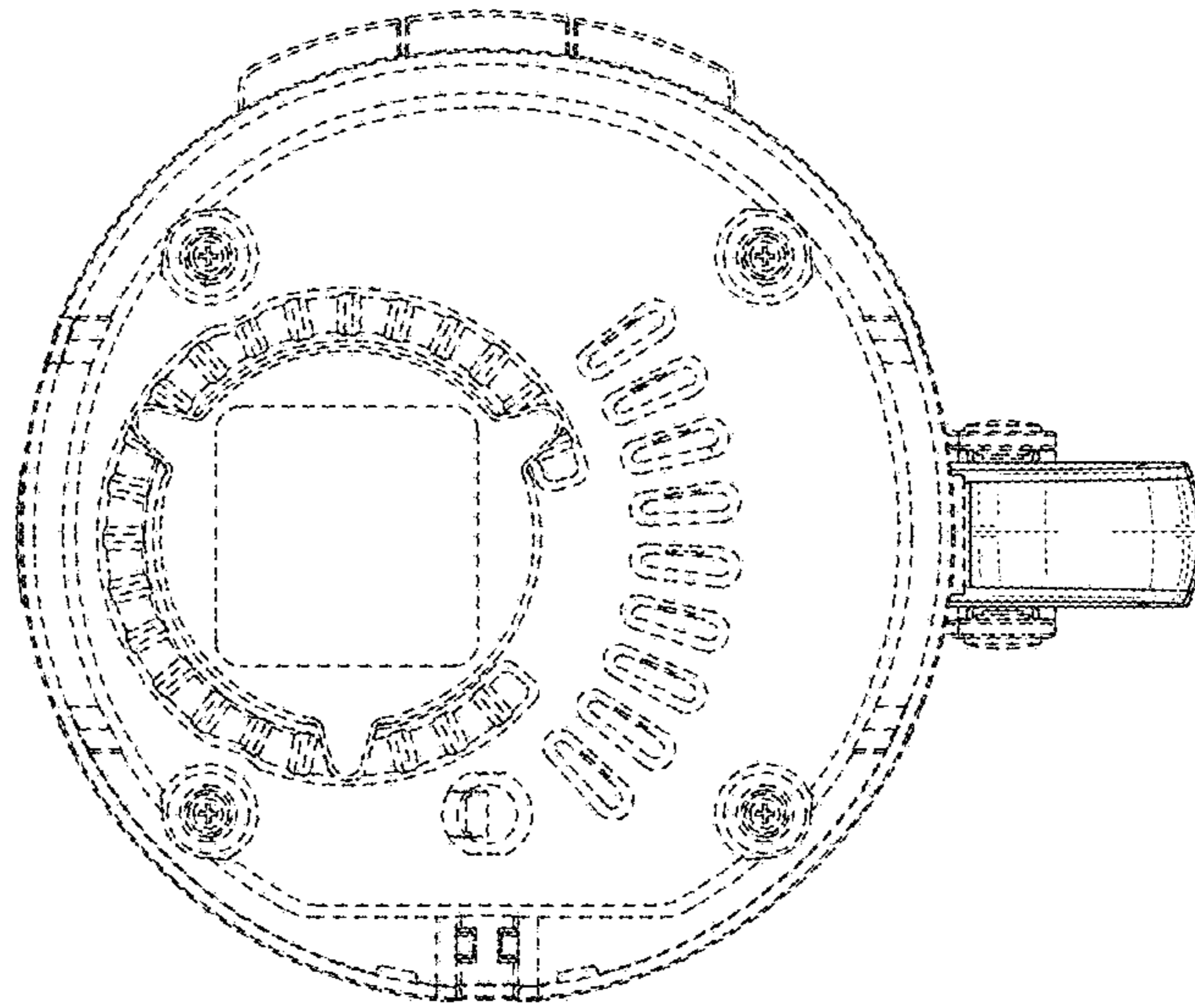


FIG. 16