



US00D853176S

(12) **United States Design Patent**  
**Chen**

(10) **Patent No.:** **US D853,176 S**  
(45) **Date of Patent:** **\*\* Jul. 9, 2019**

- (54) **POTATO CUTTING MACHINE**
- (71) Applicant: **Artop Innovation**, Shenzhen (CN)
- (72) Inventor: **Hancai Chen**, Shenzhen (CN)
- (73) Assignee: **ARTOP INNOVATION**, Shenzhen (CN)
- (\*\*) Term: **15 Years**
- (21) Appl. No.: **29/640,017**
- (22) Filed: **Mar. 12, 2018**
- (51) **LOC (11) Cl.** ..... **31-00**
- (52) **U.S. Cl.**  
USPC ..... **D7/381**
- (58) **Field of Classification Search**  
USPC ..... D7/376-386, 412, 673, 678  
CPC ... A47J 17/16; B26B 3/04; B26D 1/03; B26D 1/14; B26D 1/143; B26D 1/15; B26D 1/153; B26D 1/157; B26D 1/18; B26D 1/28; B26D 3/185; B26D 5/00; B26D 5/06; B26D 5/08; B26D 5/10; B26D 5/12; B26D 5/22; B26D 5/26; B26D 5/38; B26D 5/42; B26D 7/00; B26D 7/01; B26D 7/08; B26D 7/12; B26D 7/18; B26D 7/1818; B26D 7/22; B26D 7/225; B26D 7/24; B26D 7/26; B26D 7/2614; B26D 7/2621; B26D 7/2628; B26D 7/2635; B26D 7/30; B26D 7/32; B26D 7/325; B27G 13/00; B27G 13/005; B27G 13/10  
See application file for complete search history.

- 3,952,621 A \* 4/1976 Chambos ..... B26D 1/03 83/733
  - 5,121,679 A \* 6/1992 Mertz ..... B26B 3/04 83/425.3
  - D337,704 S \* 7/1993 So ..... B26D 3/185 D7/678
  - D337,706 S \* 7/1993 Shun ..... D7/678
  - D338,810 S \* 8/1993 So ..... D7/678
  - D343,098 S \* 1/1994 Shun ..... A47J 43/25 D7/678
  - D632,139 S \* 2/2011 Repac ..... D7/673
  - D690,986 S \* 10/2013 Weng ..... D7/381
  - D823,651 S \* 7/2018 Repac ..... D7/678
- (Continued)

*Primary Examiner* — Ricky Pham  
(74) *Attorney, Agent, or Firm* — Gokalp Bayramoglu

(57) **CLAIM**

The ornamental design for potato cutting machine, as shown and described.

**DESCRIPTION**

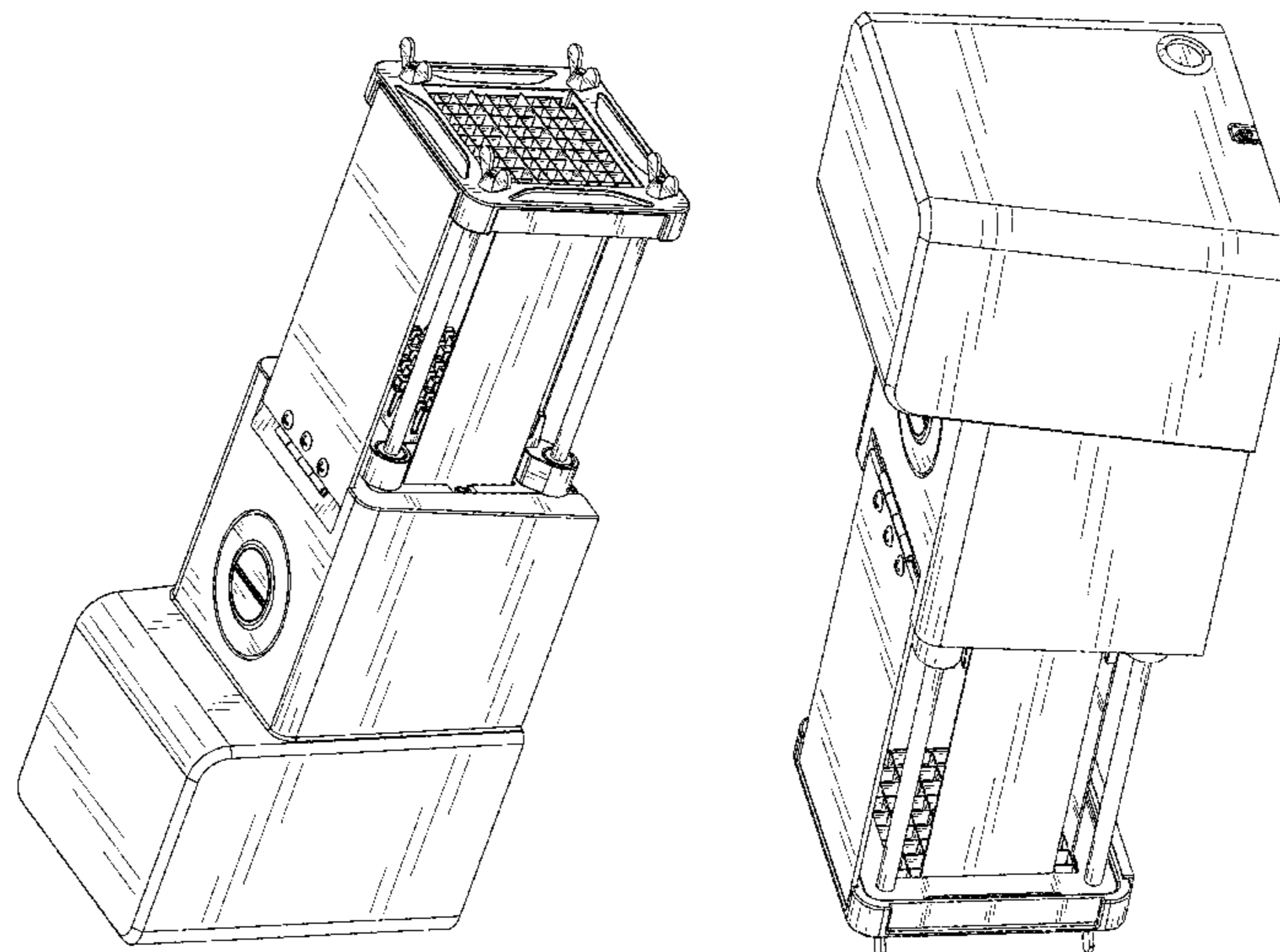
FIG. 1 is a front view of a potato cutting machine showing my new design;  
 FIG. 2 is a back view thereof;  
 FIG. 3 is a left view thereof;  
 FIG. 4 is a right view thereof;  
 FIG. 5 is a bottom view thereof;  
 FIG. 6 is a top view thereof;  
 FIG. 7 is a perspective view thereof;  
 FIG. 8 is a perspective view thereof from another angle; and,  
 FIG. 9 is a partial enlarged view of the indicated area "9" in FIG. 5.

The broken lines depict portions of a potato cutting machine in which the design is embodied that form no part of the claimed design.

The dot-dash broken lines indicating an enlargement portion of the design in FIG. 5 form no part of the claimed design.

- (56) **References Cited**  
U.S. PATENT DOCUMENTS  
2,546,767 A \* 3/1951 Miller ..... B26D 3/185 241/101.762  
3,211,202 A \* 10/1965 Mason ..... A47J 17/16 83/425.1

**1 Claim, 9 Drawing Sheets**



(56)

**References Cited**

U.S. PATENT DOCUMENTS

2010/0095821	A1 *	4/2010	Cheung .....	B26D 3/185 83/435.19
2014/0047965	A1 *	2/2014	Neare-Vaarmann .....	B26D 3/185 83/404.3

\* cited by examiner

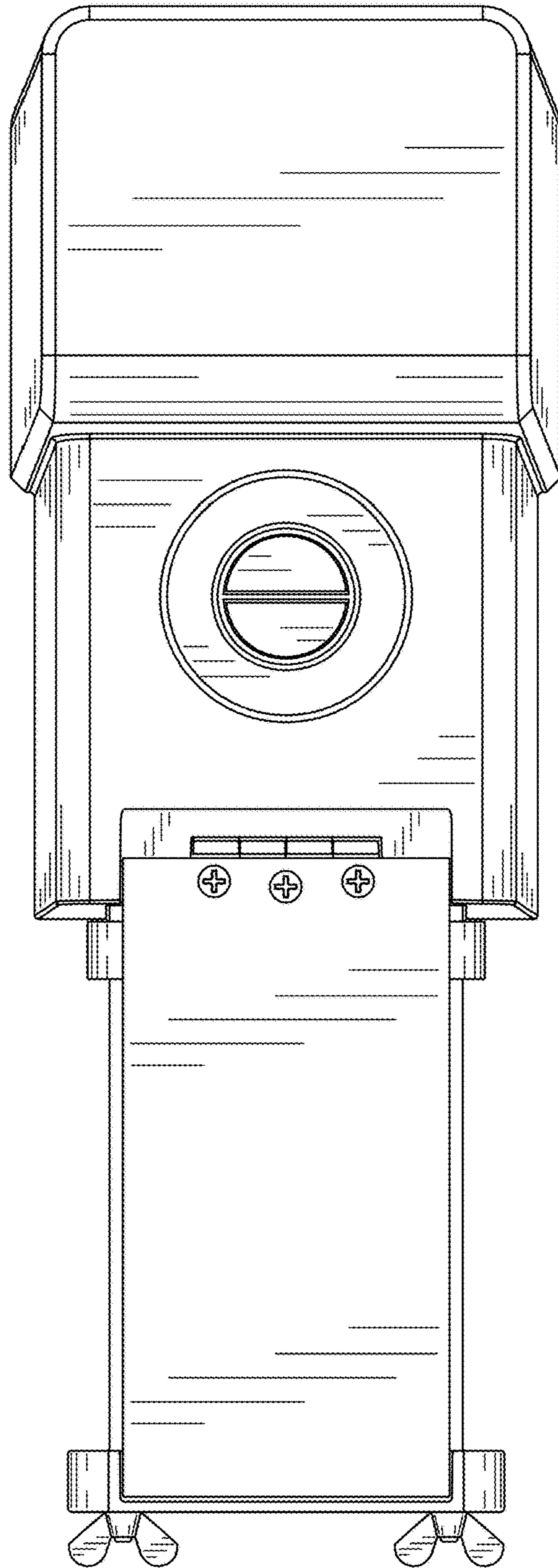


FIG. 1

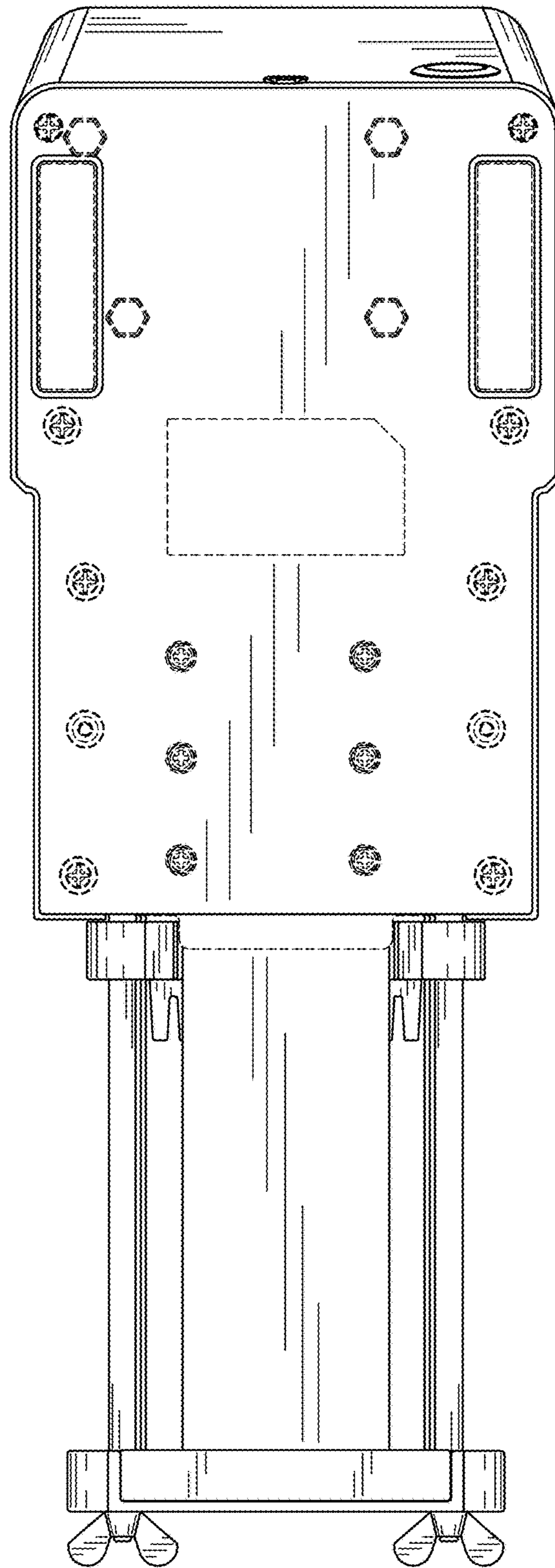


FIG. 2

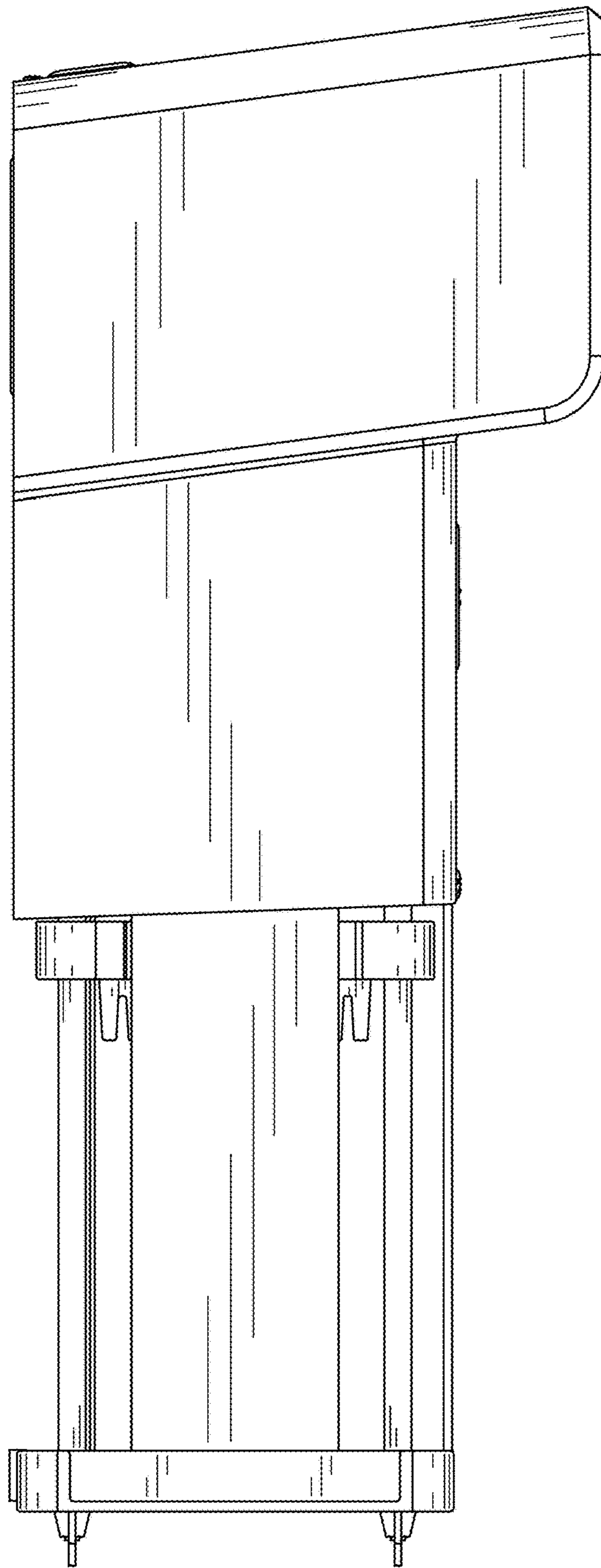


FIG. 3

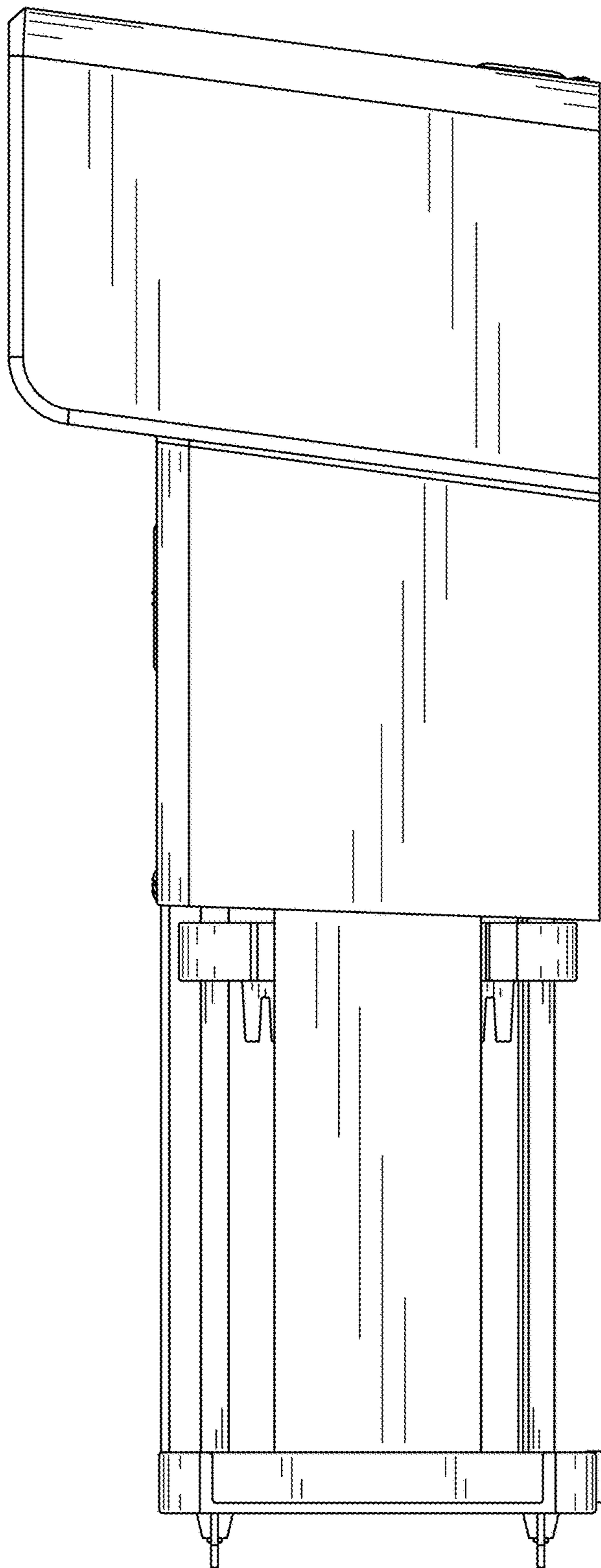


FIG. 4

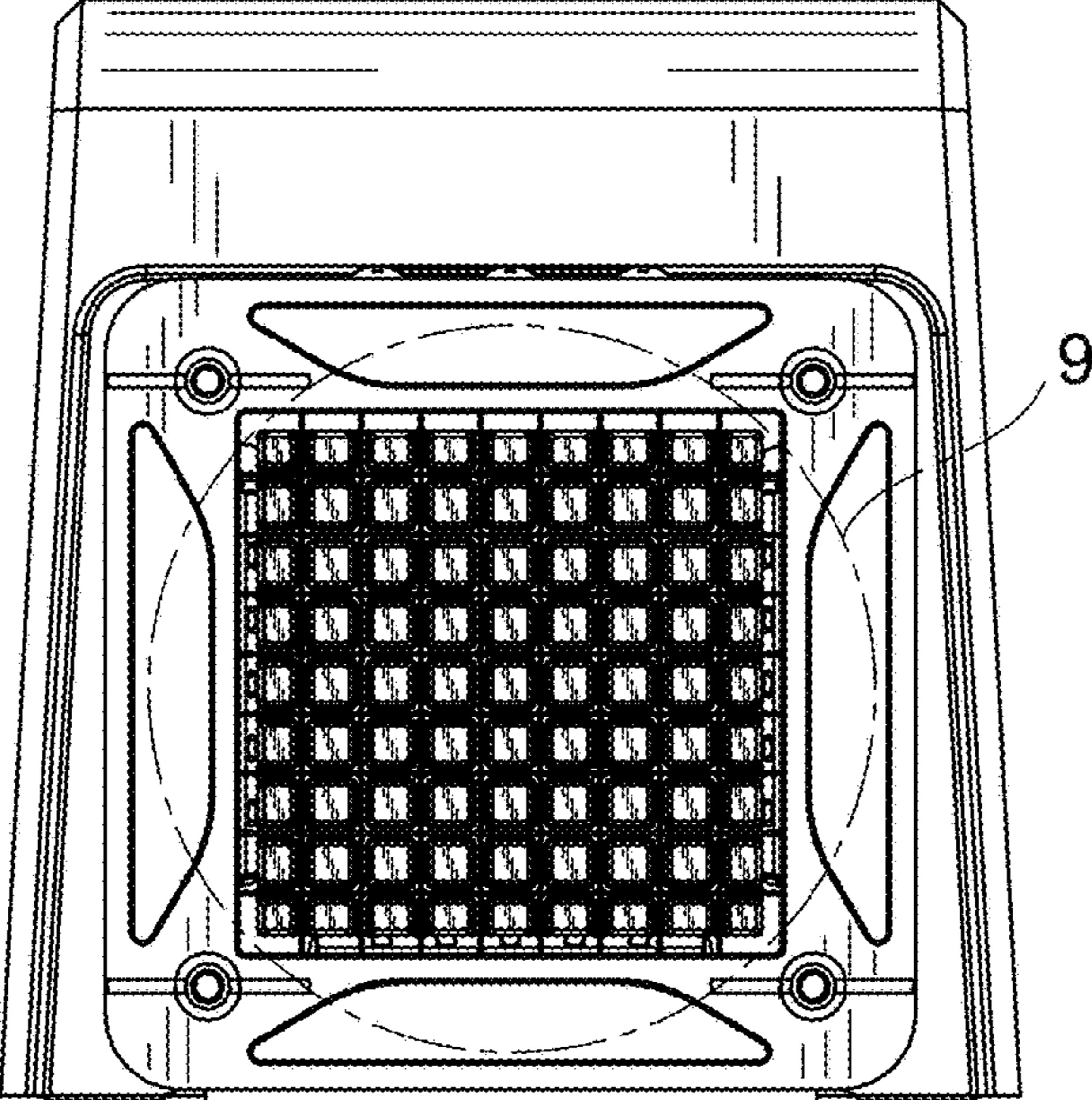


FIG. 5

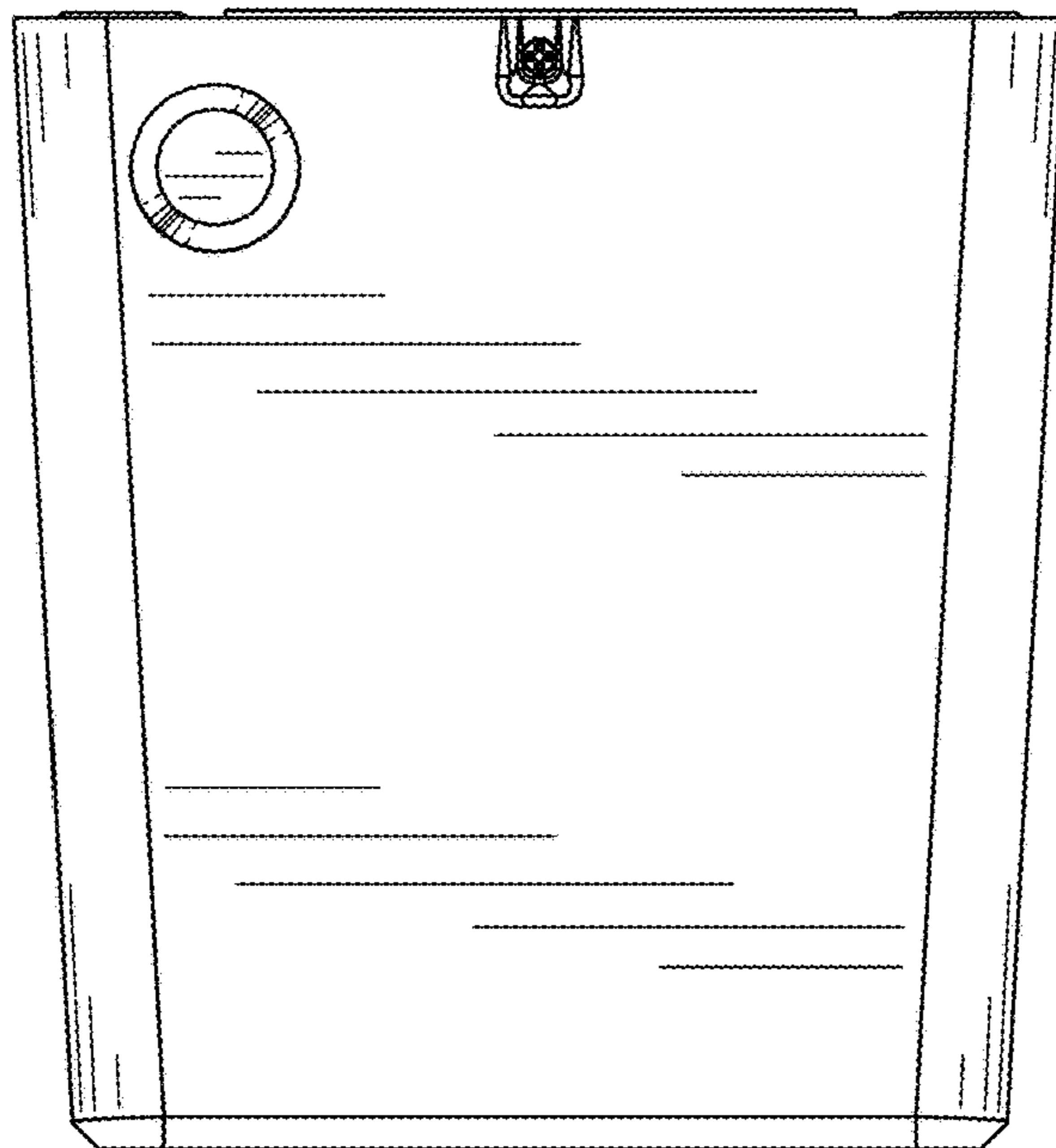


FIG. 6



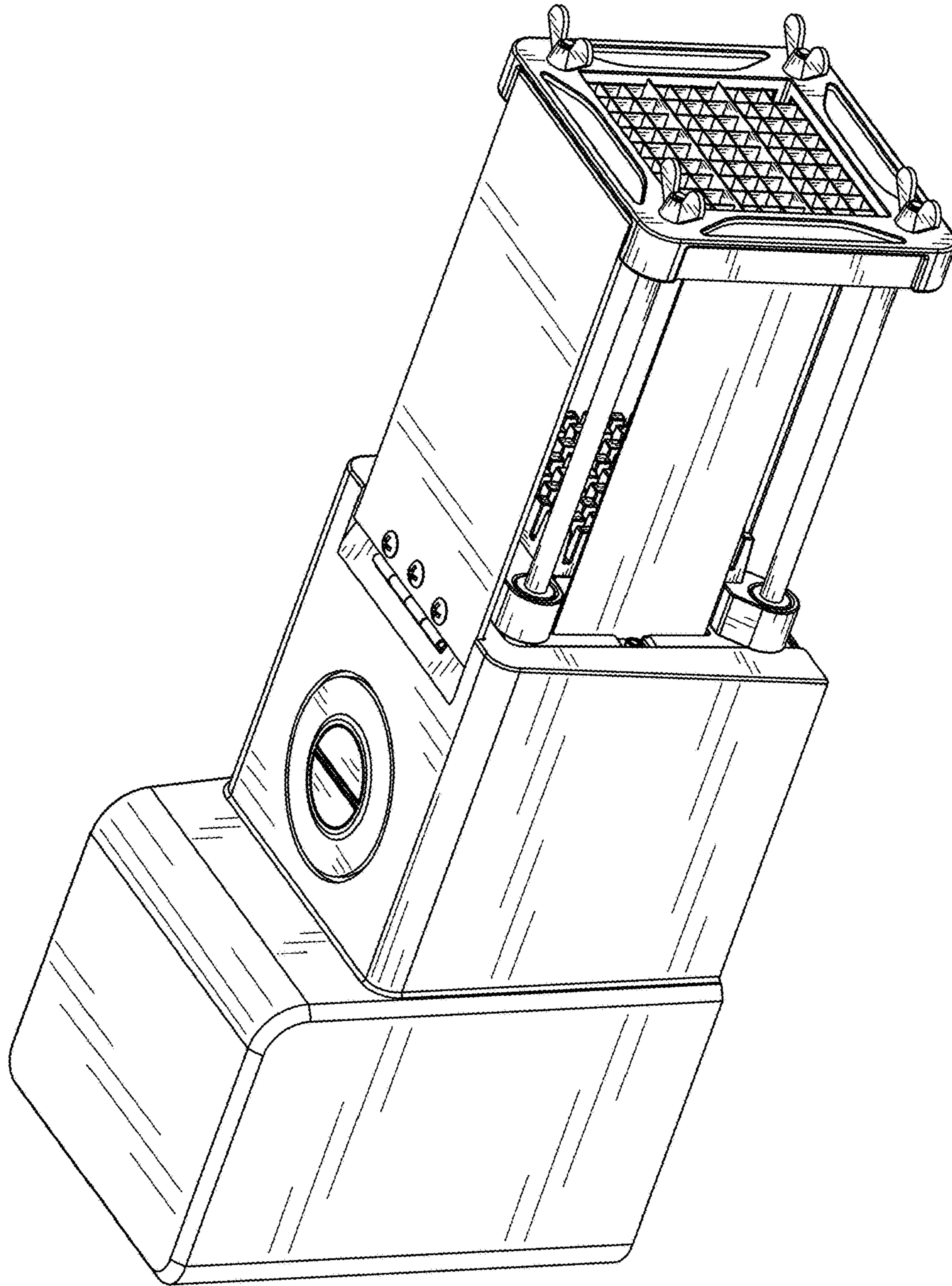


FIG. 7

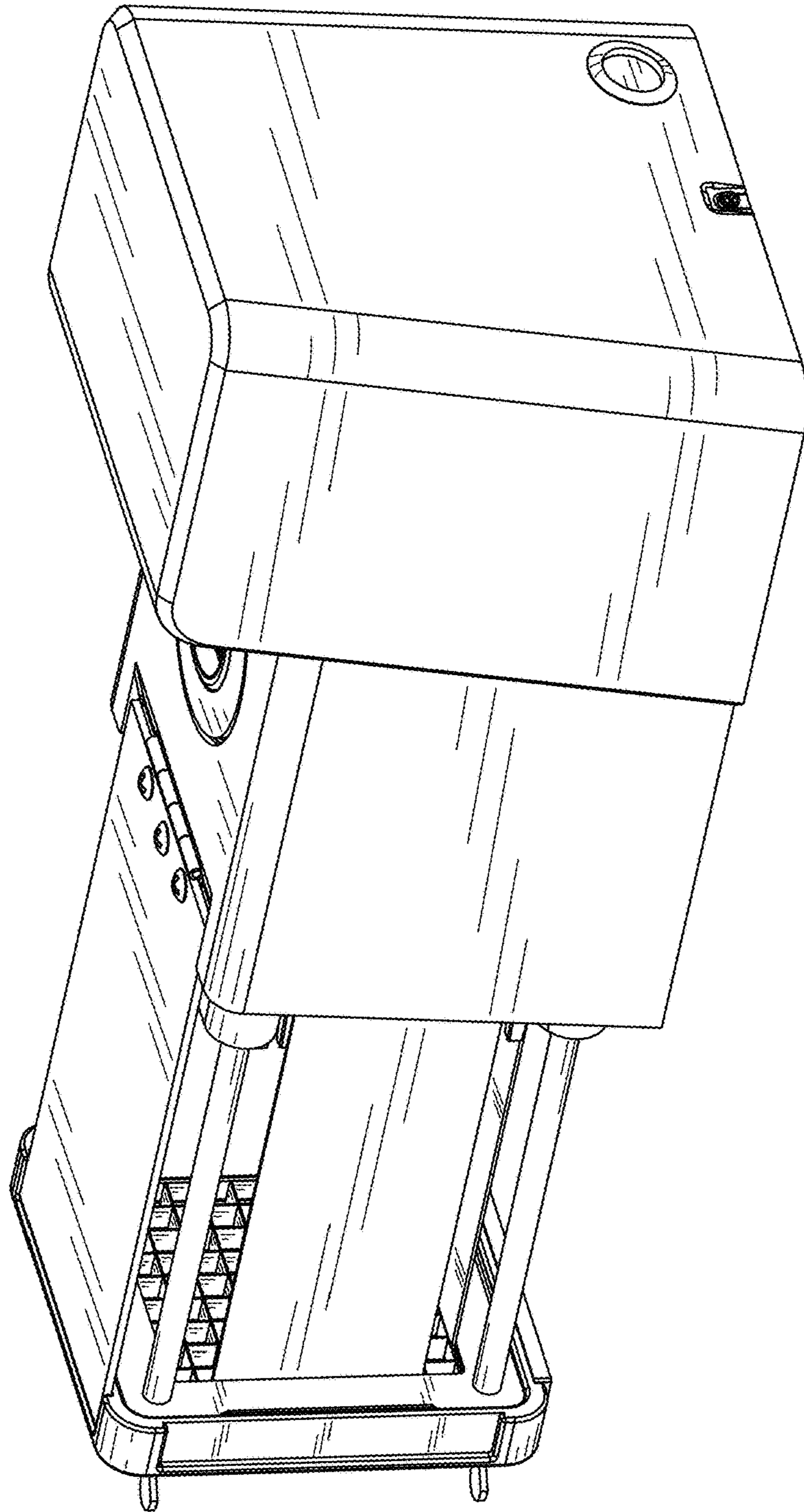


FIG. 8

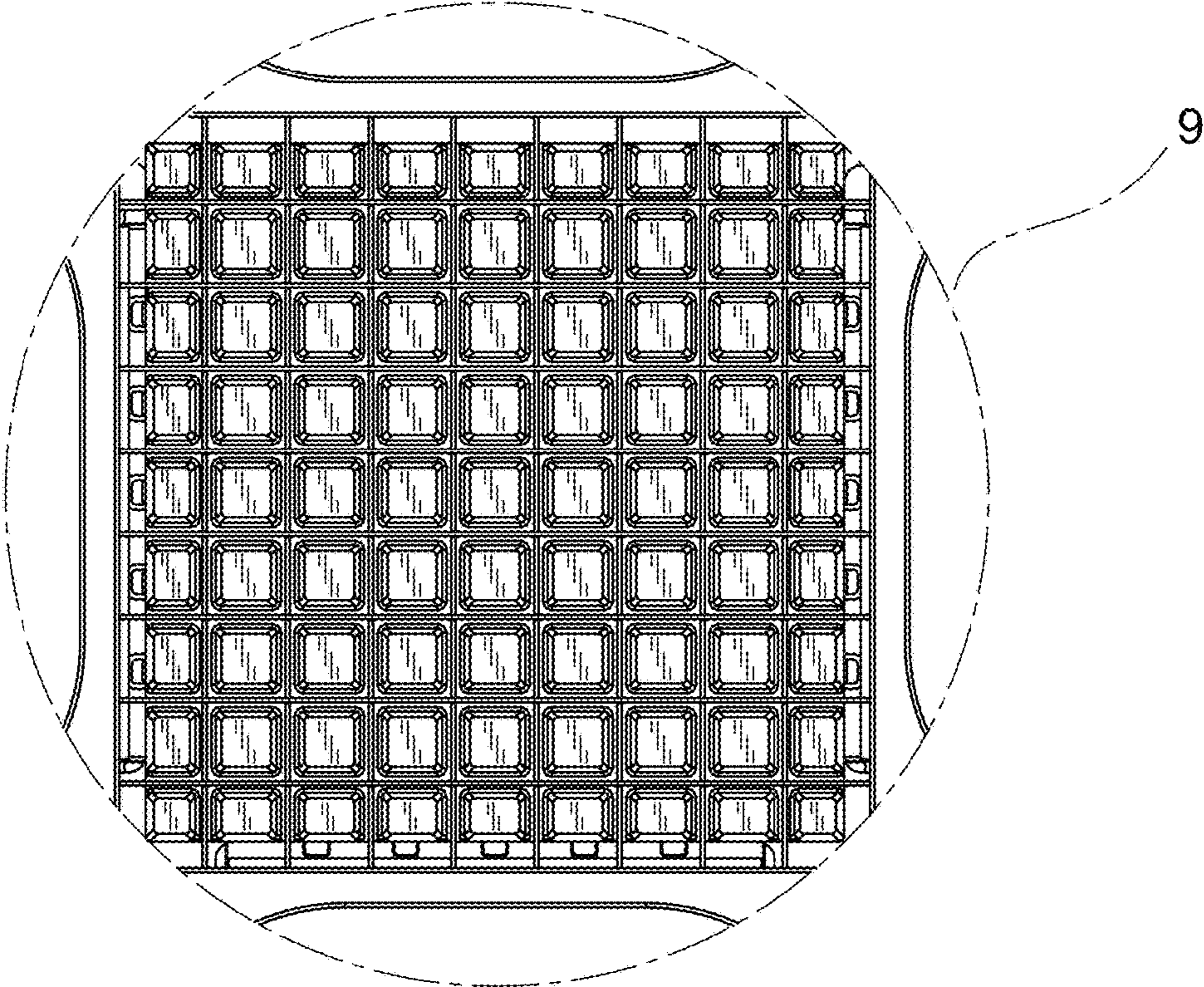


FIG. 9