



US00D853175S

(12) **United States Design Patent**  
**Gamble et al.**

(10) **Patent No.:** **US D853,175 S**  
(45) **Date of Patent:** **\*\* Jul. 9, 2019**

(54) **FOOD WASTE DISPOSER**

FOREIGN PATENT DOCUMENTS

(71) Applicant: **EMERSON ELECTRIC CO.**, St. Louis, MO (US)

CN 003363597 5/2001  
CN 3255269 9/2002

(Continued)

(72) Inventors: **Kelly T. Gamble**, Waterford, WI (US); **Randall E. Hammer**, Muskego, WI (US); **Walter A. Bennage**, Pleasant Prairie, WI (US); **Eric J. Schultz**, Thiensville, WI (US); **Rico A. Taylor**, Kenosha, WI (US); **Eric J. Obermeyer**, Franklin, WI (US); **Grey B. Parker**, West Bloomfield, MI (US); **David J. Byron**, Southfield, MI (US); **Evan A. Carpenter-Crawford**, Farmington Hills, MI (US)

OTHER PUBLICATIONS

“Garbage disposal”, posted Aug. 15, 2015 [online], [retrieved Jan. 30, 2019]. Retrieved from internet, <http://blog.insinkerator.com/garbage-disposal-resource-guide/>.\*

(Continued)

(73) Assignee: **EMERSON ELECTRIC CO.**, St. Louis, MO (US)

*Primary Examiner* — Barbara Fox  
*Assistant Examiner* — Mehri F Bajoul  
(74) *Attorney, Agent, or Firm* — Harness, Dickey & Pierce, P.L.C.

(\*\*) Term: **15 Years**

(57) **CLAIM**

The ornamental design for a food waste disposer, as shown and described.

(21) Appl. No.: **29/649,979**

**DESCRIPTION**

(22) Filed: **Jun. 4, 2018**

**Related U.S. Application Data**

(62) Division of application No. 29/569,320, filed on Jun. 27, 2016, now Pat. No. Des. 822,426.

(51) **LOC (11) Cl.** ..... **31-00**

(52) **U.S. Cl.**  
USPC ..... **D7/375**

(58) **Field of Classification Search**  
USPC ..... D7/310–311, 372–386, 412–414, 619.1, D7/608, 678–679, 693; D34/36  
(Continued)

FIG. 1 is a front perspective view of a food waste disposer embodying our new design;  
FIG. 2 is a rear perspective view of the food waste disposer of FIG. 1;  
FIG. 3 is a front elevational view of the food waste disposer of FIG. 1;  
FIG. 4 is a rear elevational view of the food waste disposer of FIG. 1;  
FIG. 5 is a top plan view of the food waste disposer of FIG. 1;  
FIG. 6 is a bottom plan view of the food waste disposer of FIG. 1; and,  
FIG. 7 is a right elevational view of the food waste disposer of FIG. 1 with the left elevational view being a mirror image thereof.

The broken lines shown in the drawings depict portions of the food waste disposer that form no part of the claimed design.

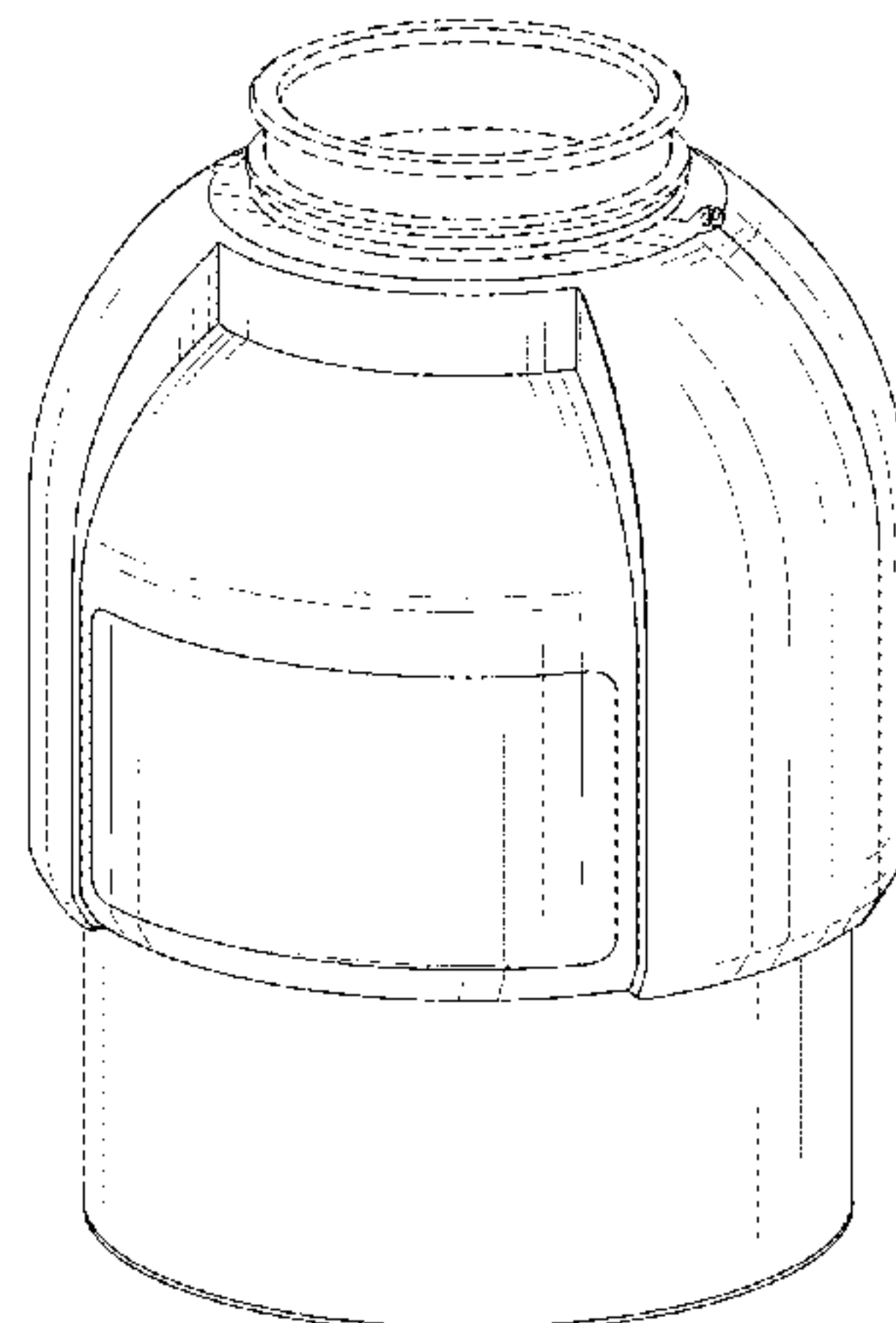
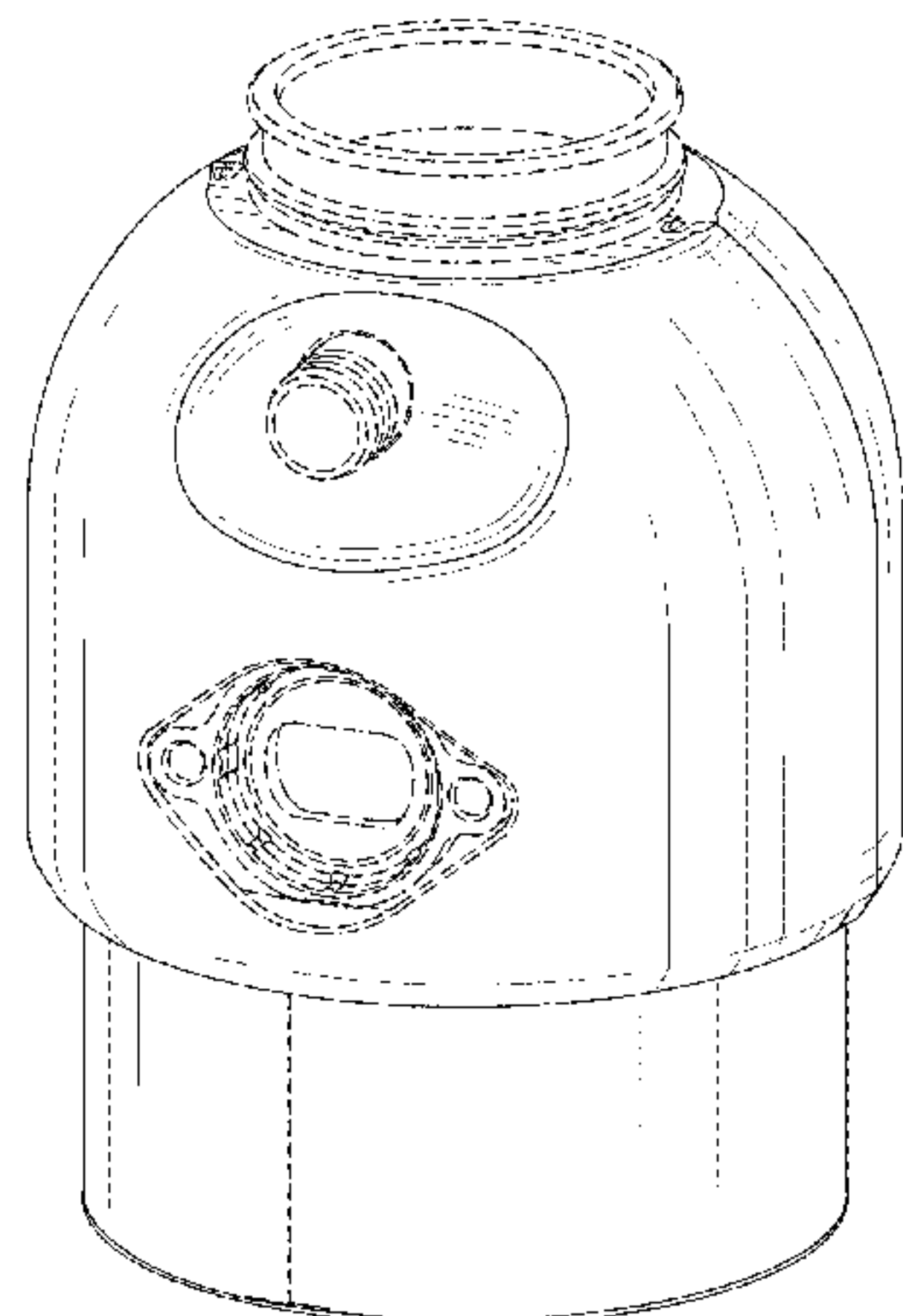
(56) **References Cited**

U.S. PATENT DOCUMENTS

D109,972 S 6/1938 Anderson et al.  
D169,626 S 5/1953 Koslo et al.

(Continued)

**1 Claim, 4 Drawing Sheets**



(58) **Field of Classification Search**  
 CPC ..... B02C 13/2804; B02C 18/0076; B02C  
 18/0084; B02C 18/0092; B02C  
 2013/2808; B02C 2013/2812; A21C 1/02;  
 A21C 1/04; A21C 1/00; E03C 1/26;  
 E03C 1/266; E03C 1/8212; E03C 1/2665;  
 E03C 1/28; E03C 1/30; E03C 1/302;  
 E03C 1/304  
 See application file for complete search history.

(56) **References Cited**

U.S. PATENT DOCUMENTS

D170,874 S 11/1953 Lambert et al.  
 2,750,121 A 6/1956 Schmidt et al.  
 D178,854 S 9/1956 Waltman et al.  
 2,965,318 A 12/1960 Jordan  
 2,978,190 A 4/1961 Brucken et al.  
 3,025,007 A 3/1962 Wiczorek  
 3,026,050 A 3/1962 Bebinger  
 3,038,172 A 6/1962 Fritz et al.  
 D194,128 S 11/1962 Hawkins et al.  
 3,144,213 A 8/1964 Hedlund  
 3,159,354 A 12/1964 Yartz et al.  
 3,163,369 A 12/1964 Hogue  
 3,165,271 A 1/1965 Enright  
 3,194,505 A 7/1965 Spackman  
 3,213,720 A 10/1965 Wallis et al.  
 3,236,462 A 2/1966 Stout  
 3,246,132 A 4/1966 Jordan  
 D205,750 S 9/1966 Cornelius  
 D207,918 S 6/1967 Clark et al.  
 3,335,969 A 8/1967 Egle et al.  
 D212,127 S 8/1968 Smith et al.  
 3,443,764 A 5/1969 Wetzel  
 3,534,913 A 10/1970 Lawrenson  
 D226,028 S 1/1973 Kennedy et al.  
 3,739,992 A 6/1973 Bebinger  
 3,814,333 A 6/1974 Sapienza  
 3,862,720 A 1/1975 Guth  
 3,875,462 A 4/1975 Kiefer et al.  
 D237,299 S 10/1975 Pitts et al.  
 D237,300 S 10/1975 Pitts  
 D237,301 S 10/1975 Pitts  
 D237,302 S 10/1975 Pitts  
 D237,303 S 10/1975 Pitts  
 D237,304 S 10/1975 Pitts  
 D237,305 S 10/1975 Pitts  
 D237,306 S 10/1975 Pitts  
 4,128,210 A 12/1978 Brenner et al.  
 4,134,555 A 1/1979 Rosselet  
 D253,157 S 10/1979 Dziekonski  
 4,717,031 A 1/1988 Hewson  
 D320,326 S 10/1991 Barrault  
 D331,170 S 11/1992 Greiner  
 D344,657 S 3/1994 Knopp  
 5,340,036 A 8/1994 Riley  
 D374,959 S 10/1996 Mull  
 5,577,673 A 11/1996 McMurphy et al.  
 5,795,062 A 8/1998 Johnson  
 5,856,173 A 1/1999 Riley et al.  
 D406,154 S 2/1999 Copland et al.  
 6,007,006 A 12/1999 Engel et al.  
 D419,362 S 1/2000 Bouhuys  
 D426,421 S 6/2000 Hirsch et al.  
 D430,987 S 9/2000 Brandel et al.  
 D431,153 S 9/2000 Brandel et al.  
 D431,751 S 10/2000 Cahen  
 D431,752 S 10/2000 Brandel et al.  
 D436,496 S 1/2001 Anderson et al.  
 D443,792 S 6/2001 Peters et al.  
 D451,755 S 12/2001 Brandel et al.  
 D452,110 S 12/2001 Brandel et al.  
 D454,467 S 3/2002 Magermans et al.  
 D455,603 S 4/2002 Brandel et al.  
 D455,604 S 4/2002 Brandel et al.

6,439,487 B1 8/2002 Anderson et al.  
 6,481,652 B2 11/2002 Strutz et al.  
 D474,365 S 5/2003 Valentino  
 D486,797 S 2/2004 Anderson et al.  
 6,783,034 B1 8/2004 Brent  
 D501,372 S 2/2005 Lo  
 D502,358 S 3/2005 Weaden  
 D510,238 S 10/2005 Yen  
 7,048,213 B2 5/2006 Strutz et al.  
 7,100,850 B2 9/2006 Farmerie  
 D534,760 S 1/2007 Patterson et al.  
 D534,761 S 1/2007 Patterson et al.  
 D535,142 S 1/2007 Patterson et al.  
 D535,518 S 1/2007 Patterson et al.  
 D535,850 S 1/2007 Patterson et al.  
 D536,211 S 2/2007 Jara-Almonte et al.  
 D537,673 S 3/2007 Anderson et al.  
 D539,078 S 3/2007 Anderson et al.  
 D542,594 S 5/2007 Jara-Almonte et al.  
 D542,595 S 5/2007 Jara-Almonte et al.  
 7,331,539 B2 2/2008 Jara-Almonte et al.  
 D588,862 S 3/2009 Saeed et al.  
 D593,354 S 6/2009 Romandy  
 7,578,460 B2 8/2009 Berger  
 7,654,480 B2 2/2010 Baer et al.  
 D621,206 S \* 8/2010 Matta ..... D7/372  
 7,918,411 B2 4/2011 Anderson et al.  
 7,963,469 B2 6/2011 Hanson  
 7,971,810 B2 7/2011 Hirsch et al.  
 D654,302 S 2/2012 Shepherd  
 8,146,843 B2 4/2012 Ye et al.  
 8,220,731 B2 7/2012 Berger et al.  
 D684,003 S 6/2013 Bennage et al.  
 D684,004 S 6/2013 Koparde et al.  
 D684,005 S 6/2013 Mahale et al.  
 D706,572 S 6/2014 Gamble et al.  
 D716,102 S 10/2014 Morales  
 D722,215 S 2/2015 Sonzogni  
 D725,864 S 3/2015 Sonzogni  
 D728,302 S 5/2015 Vu et al.  
 D730,681 S 6/2015 Smith et al.  
 D741,115 S \* 10/2015 Lane ..... D7/608  
 9,175,461 B2 11/2015 Bewley, Jr.  
 D744,291 S 12/2015 Shah  
 D746,100 S \* 12/2015 Falcone ..... D7/375  
 D749,893 S 2/2016 Bazzicalupo et al.  
 D752,839 S 3/2016 Lehman  
 D753,433 S 4/2016 Gamble et al.  
 D780,505 S 3/2017 Gamble et al.  
 D782,865 S 4/2017 Bazzicalupo et al.  
 D782,866 S 4/2017 Suess et al.  
 D787,893 S 5/2017 Seiders et al.  
 D787,894 S 5/2017 Seiders et al.  
 D816,394 S \* 5/2018 Yeung ..... D7/378  
 D825,983 S \* 8/2018 Kraemer ..... D7/373  
 2002/0104909 A1 8/2002 Strutz  
 2002/0170990 A1 11/2002 Anderson et al.  
 2004/0256506 A1 12/2004 Berger

FOREIGN PATENT DOCUMENTS

CN 3306017 7/2003  
 CN 3358455 3/2004  
 CN 3466796 8/2005  
 CN 301123447 1/2010  
 CN 301456820 2/2011  
 CN 301456821 2/2011  
 CN 301464004 2/2011  
 JP S63-248988 A 10/1988

OTHER PUBLICATIONS

“Waste King!”, posted Aug. 21, 2010 [online], [retrieved Jan. 30, 2019]. Retrieved from internet, [https://www.amazon.com/Waste-King-Garbage-Disposal-Power/dp/B0014XEM88/ref=sr\\_1\\_10?s=kitchen-bath&ie=UTF8&qid=1548877426&sr=1-10&keywords=garbage+disposal.\\*](https://www.amazon.com/Waste-King-Garbage-Disposal-Power/dp/B0014XEM88/ref=sr_1_10?s=kitchen-bath&ie=UTF8&qid=1548877426&sr=1-10&keywords=garbage+disposal.*)



(56)

**References Cited**

OTHER PUBLICATIONS

Insinkerator Badger—444.  
Insinkerator Badger—555 SS.  
Insinkerator Badger—777 SS.  
Badger .5 Plus Insinkerator.  
Contractor 333.  
Evergrind E303.  
Evergrind E404.  
Insinkerator—“The Practical Idea That Built a Powerful Brand”,  
Emerson Appliance Solutions—© 2008.  
Photos of insinkerator Foodservice LC-50, on sale in the United  
States earlier than Dec. 1, 2010.  
ShinMaywa Corporation DH150SW, Dec. 1, 2003.  
White Westinghouse International Series Heavy-Duty Food Waste  
Disposer, Dec. 2006.  
GFC1000Y Spec Sheet, Jul. 1997.  
GFC700Y Spec Sheet, Jul. 1997.  
GFC705Y Spec Sheet, Jul. 1997.  
GFC300Y Product Brochure, Jun. 2000.  
GFC800Y Spec Sheet, Jul. 1997.  
GFC290Y Spec Sheet, Jul. 1997.  
GFC295Y Product Brochure, Jun. 2000.  
GFB1050V Spec Sheet, Mar. 1996.  
Waste King 2600—½ HP.

\* cited by examiner

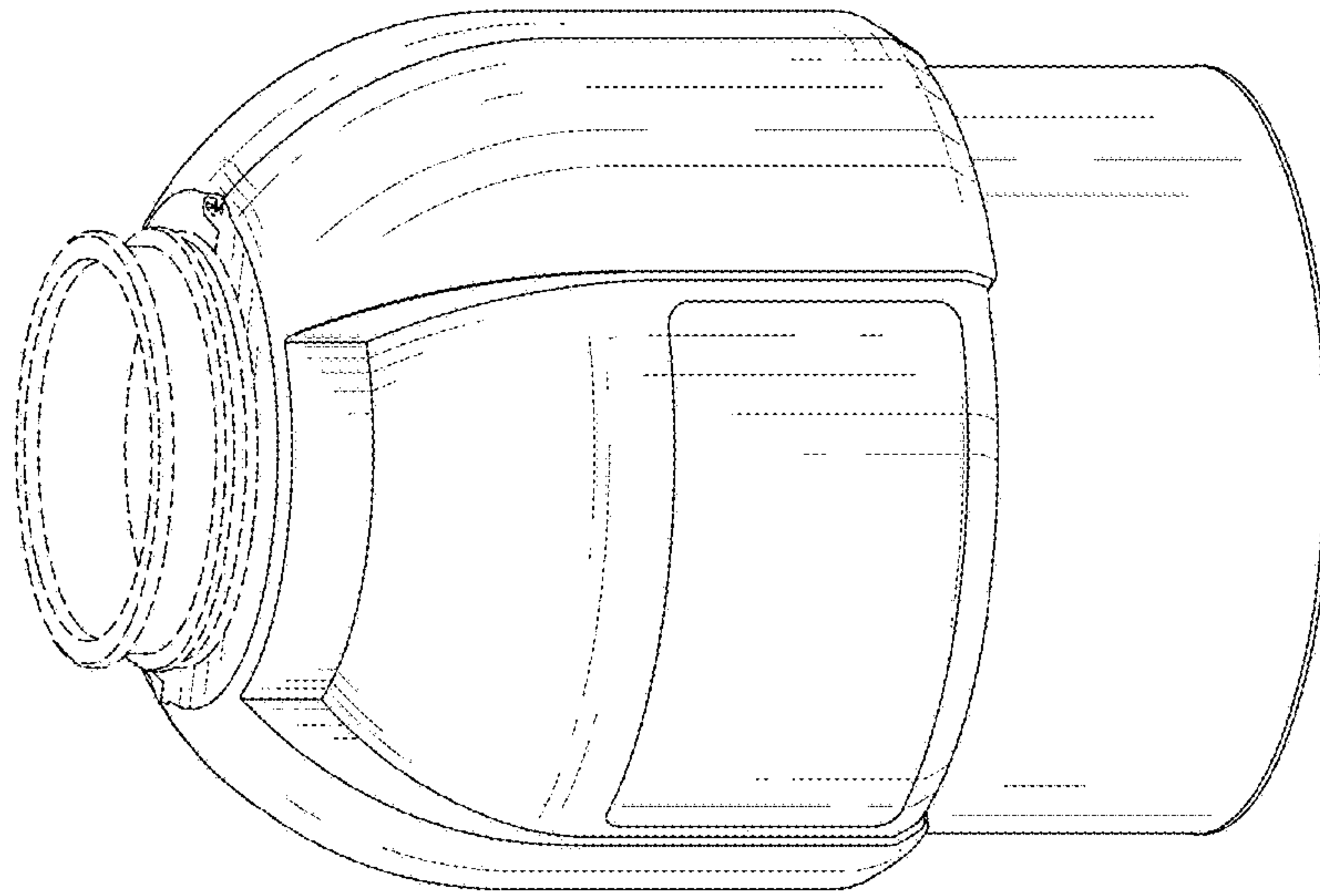


Fig. 2

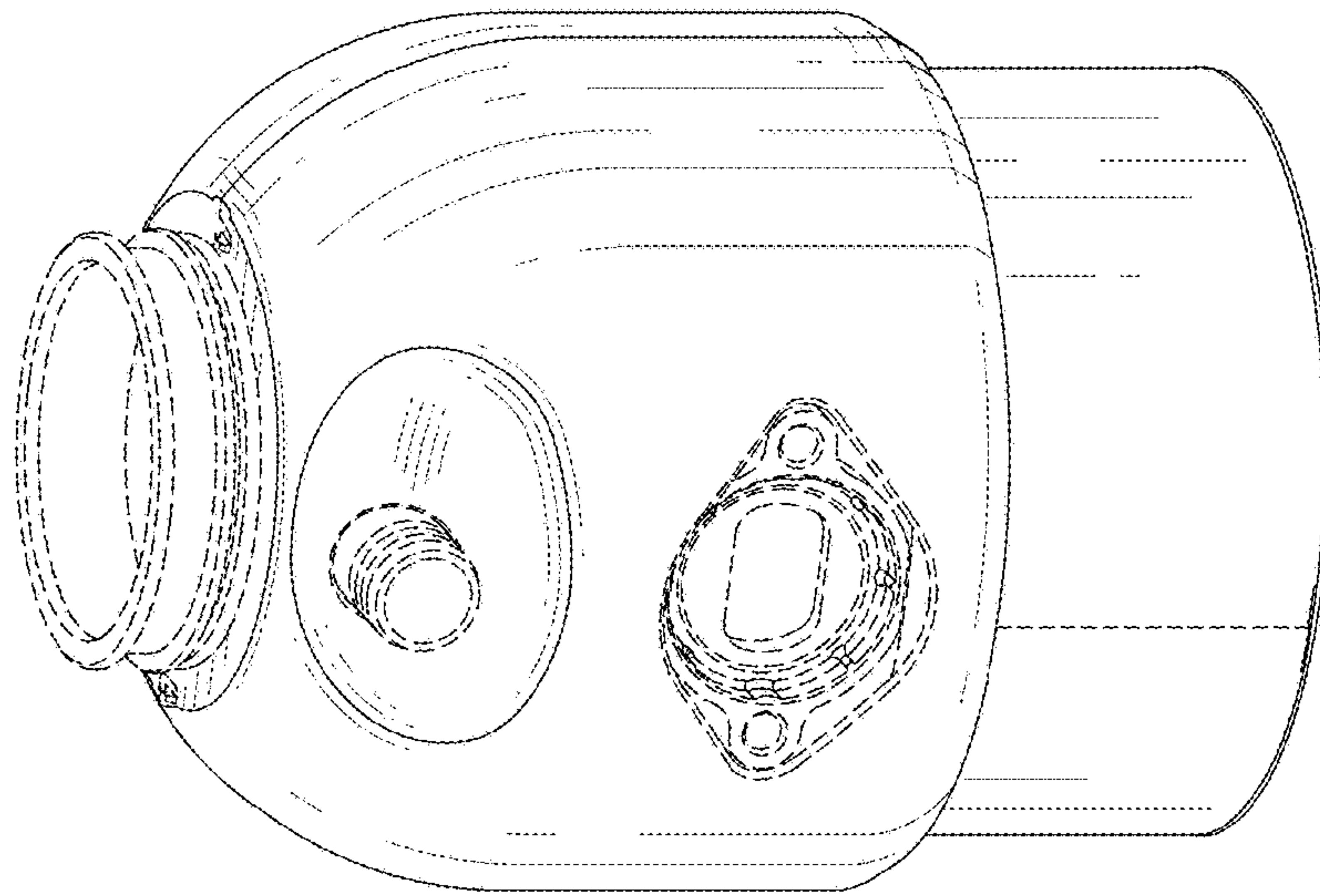


Fig. 1

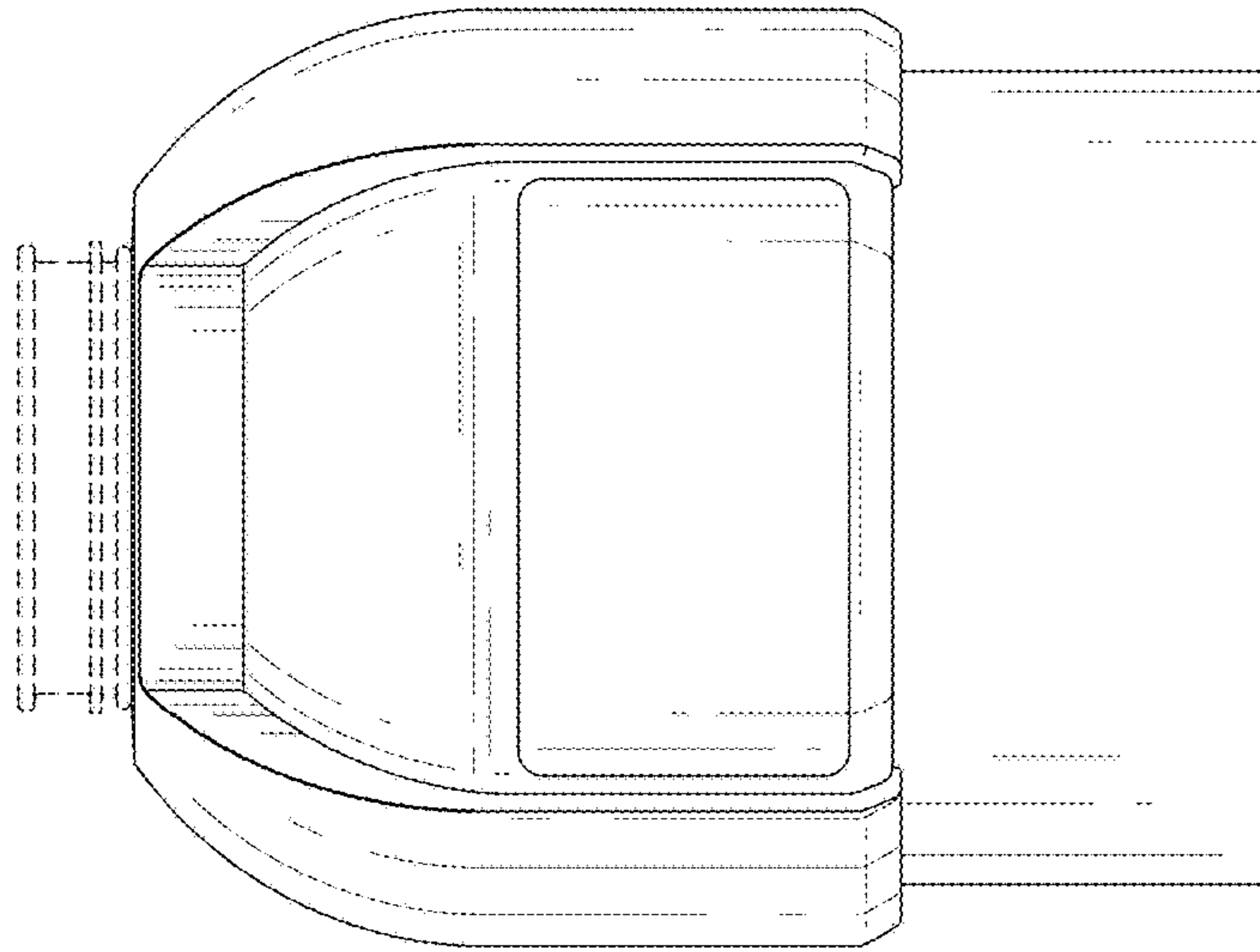


Fig. 4

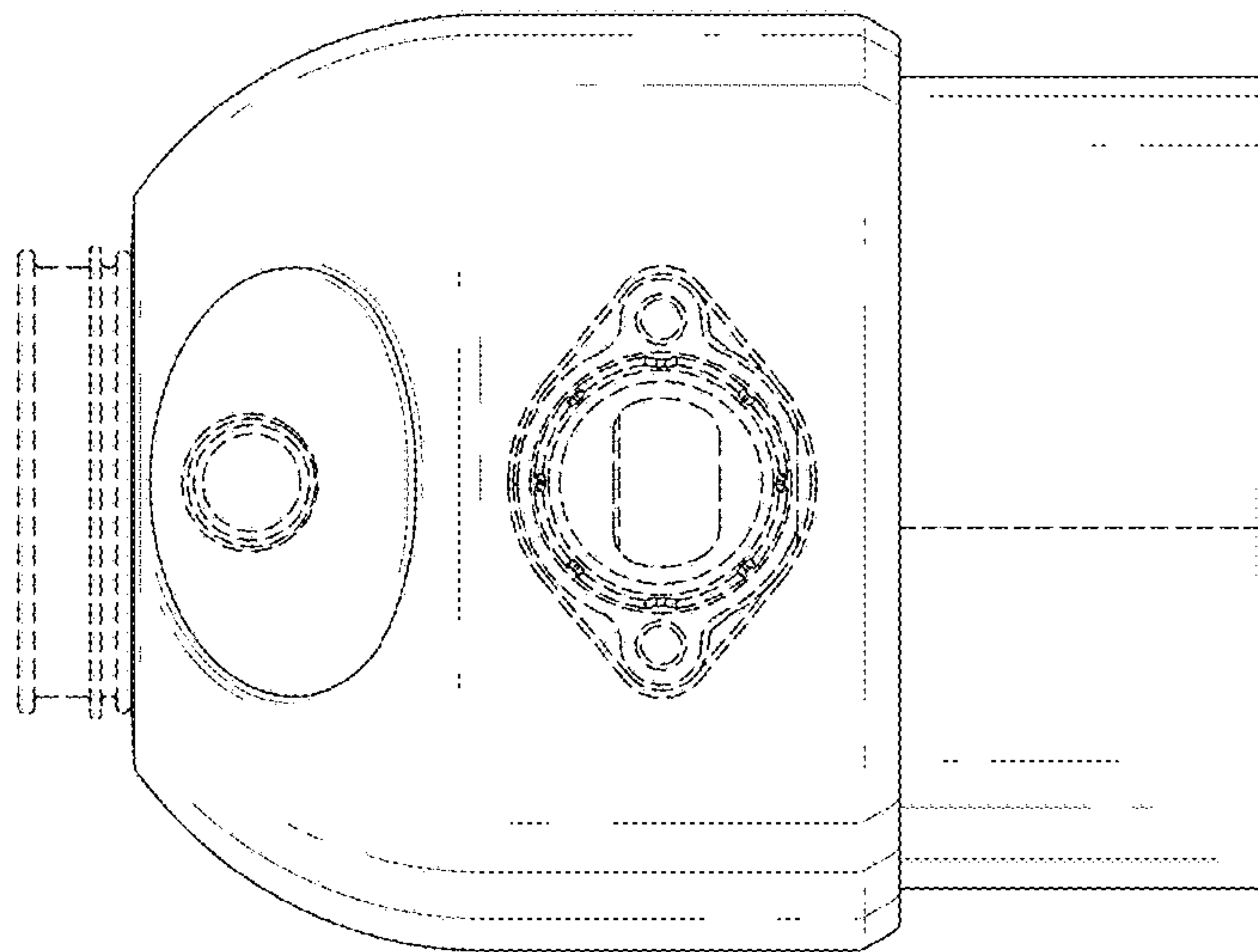


Fig. 3

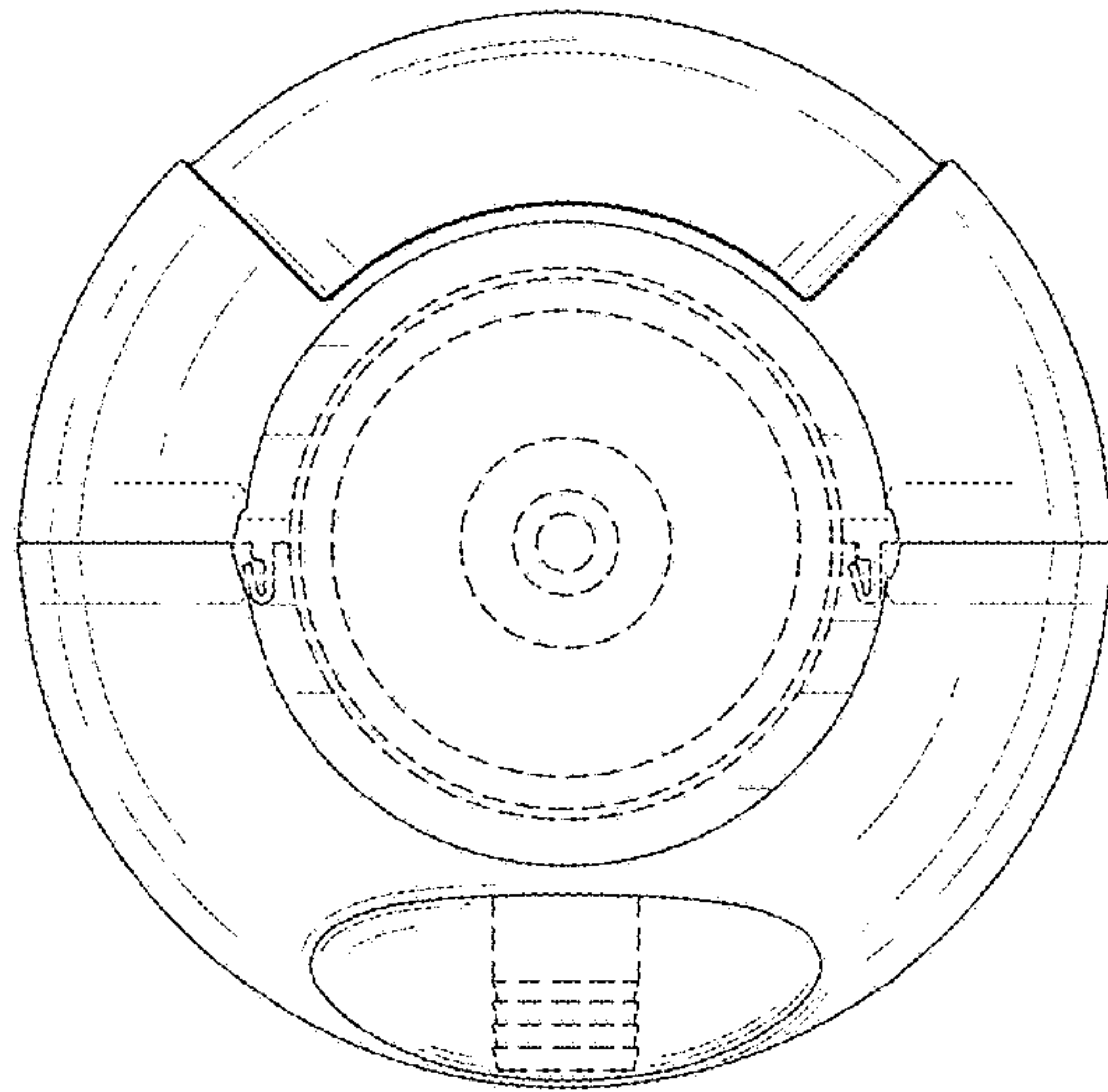


Fig. 5

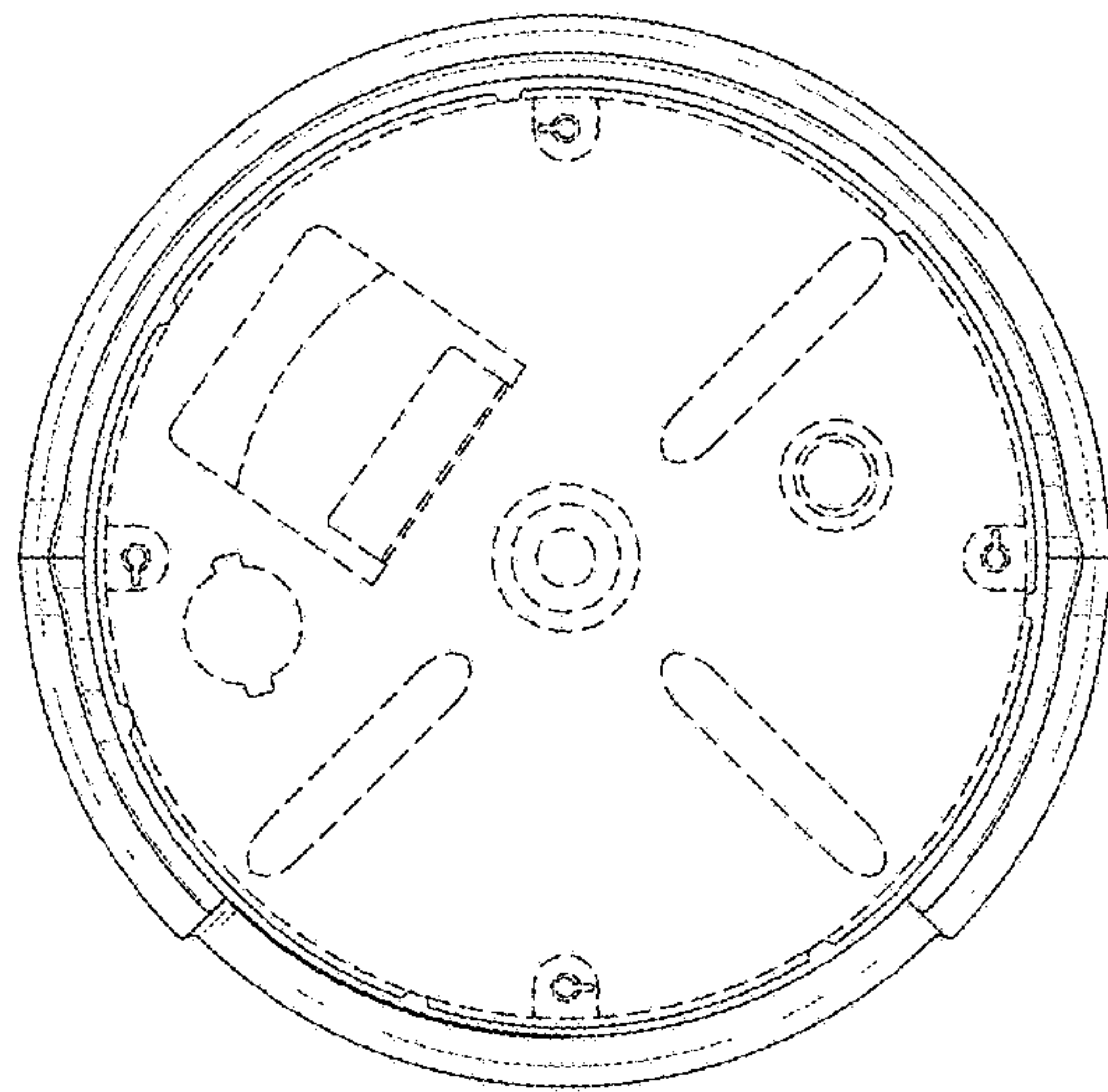


Fig. 6

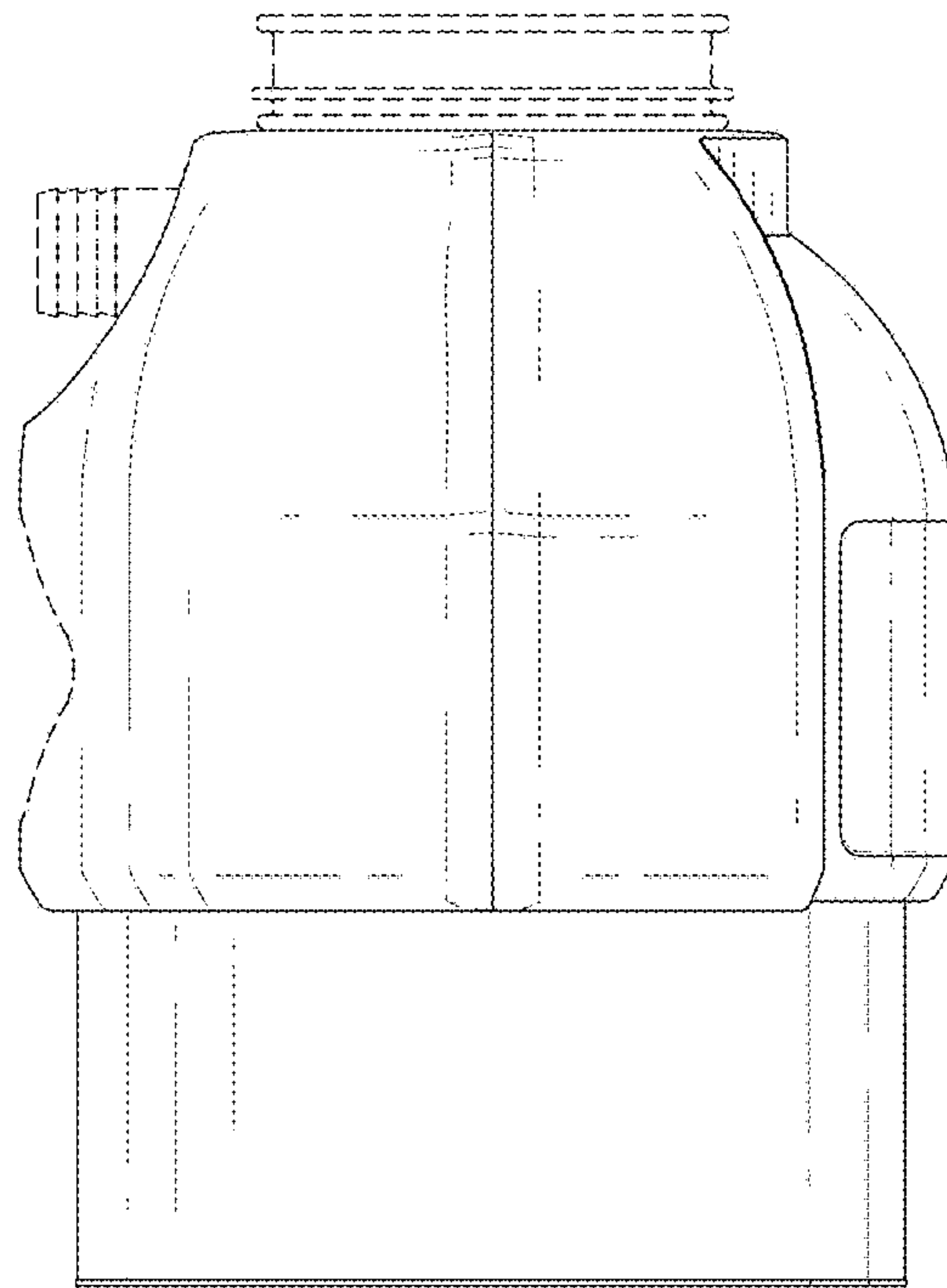


Fig. 7