



US00D853172S

(12) **United States Design Patent** (10) **Patent No.:** **US D853,172 S**
De' Longhi et al. (45) **Date of Patent:** **** Jul. 9, 2019**

(54) **GRILL**
(71) Applicant: **DE' LONGHI APPLIANCES SRL**
CON UNICO SOCIO, Treviso (IT)
(72) Inventors: **Giuseppe De' Longhi**, Treviso (IT);
Francesco Fiorotto, Treviso (IT)
(73) Assignee: **DE' LONGHI APPLIANCES SRL**
CON UNICO SOCIO, Treviso (IT)

D622,538 S * 8/2010 Hoare D7/352
D644,477 S * 9/2011 Burton D7/352
D671,791 S * 12/2012 Cesaroni D7/352
D679,129 S * 4/2013 Cesaroni D7/352
D688,914 S * 9/2013 Galatte D7/402

(Continued)

FOREIGN PATENT DOCUMENTS

CA 2948391 A1 * 12/2015 A47J 37/0611
EP 3106068 A1 * 12/2016 A47J 37/0676
WO WO 2016205863 A1 * 12/2016 A47J 37/06

OTHER PUBLICATIONS

DeLonghi Livenza All Day Grill: Annouced Dec. 30, 2016 [online].
site visited [Jul. 28, 2-017]. Available from Internet URL:https://www.amazon.com/DeLonghi-CGH1020D-Combination-Barbecue-Stainless/product-reviews/B01K1RKPCY/ref=cm_cr_dp_d_show_all_btm?ie=UTF8&reviewerType=avp_only_reviews&sortBy=recent.*

Primary Examiner — Jennifer Rivard
Assistant Examiner — Catherine S Posthauer
(74) *Attorney, Agent, or Firm* — Cantor Colburn LLP

(**) Term: **15 Years**
(21) Appl. No.: **29/544,582**
(22) Filed: **Nov. 4, 2015**
(30) **Foreign Application Priority Data**
May 5, 2015 (EM) 002694406-0021
(51) **LOC (11) Cl.** **07-02**
(52) **U.S. Cl.**
USPC **D7/352**
(58) **Field of Classification Search**
USPC D7/323, 328-331, 337, 339, 346-347,
D7/350.1-350.4, 352-367, 391, 393, 395,
D7/402, 409-41, 538, 542; D9/418, 420,
D9/761; D15/146
CPC A47J 37/04; A47J 37/06; A47J 37/067;
A47J 37/0605; A47J 37/0611; A47J
37/0625; A47J 37/0629; A47J 37/0676;
A47J 27/60; A47J 27/62; A21B 5/023;
F24C 15/10; F24C 15/102; H05B 6/02;
H05B 6/062
See application file for complete search history.

(57) **CLAIM**

We claim, the ornamental design for a grill, as shown and described.

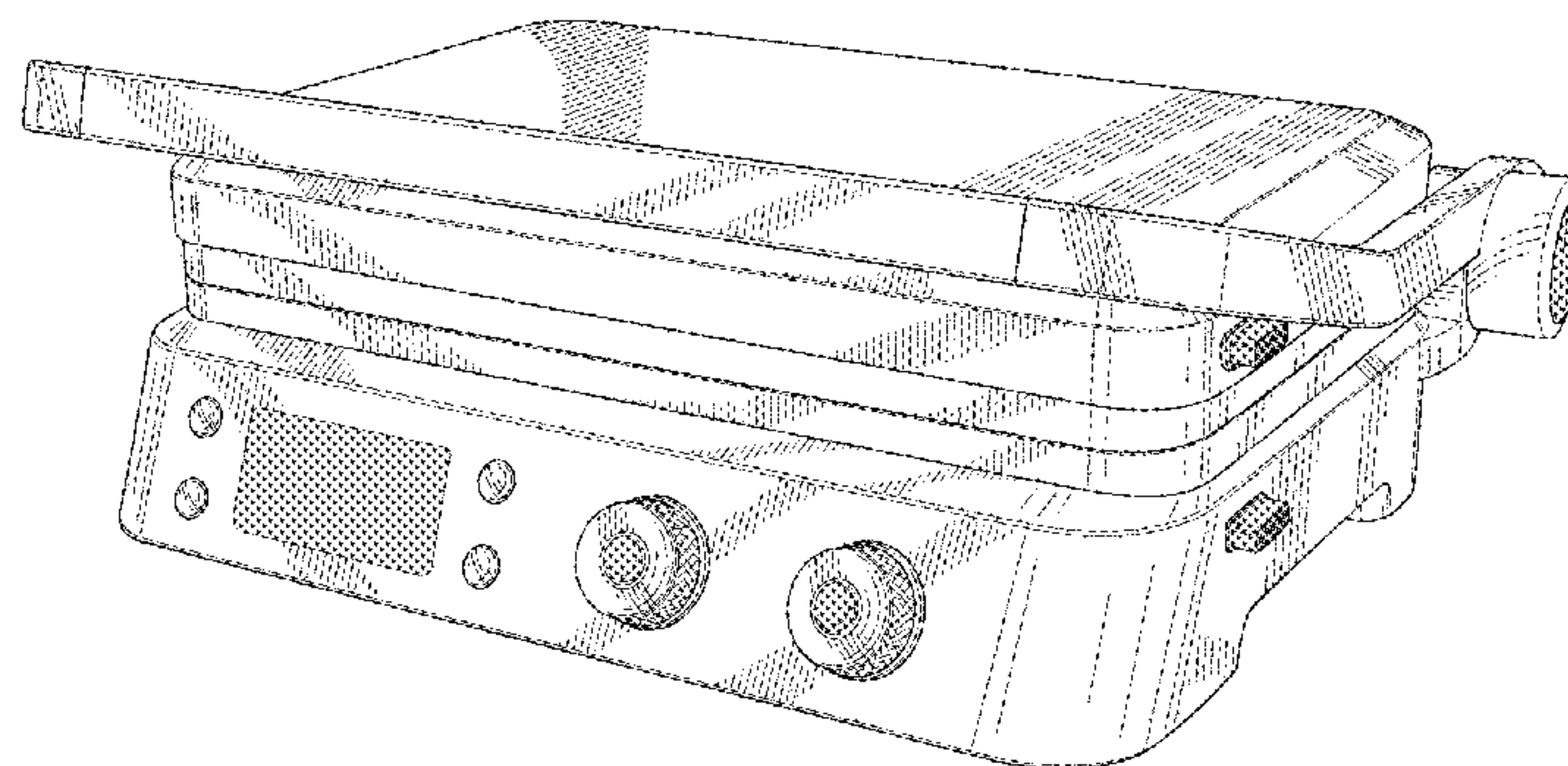
DESCRIPTION

FIG. 1 is a perspective view of a grill, showing our new design;
FIG. 2 is a front view thereof;
FIG. 3 is a rear view thereof;
FIG. 4 is a side view thereof, taken from the left of FIG. 2;
FIG. 5 is a side view thereof, taken from the right of FIG. 2;
FIG. 6 is a top plan view thereof; and,
FIG. 7 is a bottom plan view thereof.
The dot-dash lines represent the boundaries of the claim, and form no part thereof.

1 Claim, 5 Drawing Sheets

(56) **References Cited**
U.S. PATENT DOCUMENTS

D241,220 S * 8/1976 Bizner D18/1
D527,941 S * 9/2006 Serra D7/352
D581,202 S * 11/2008 Tetreault D7/352
D586,615 S * 2/2009 Lee D7/402
D588,858 S * 3/2009 Tetreault D7/352
D594,695 S * 6/2009 Lin D7/352



(56)

References Cited

U.S. PATENT DOCUMENTS

D714,092 S * 9/2014 Verbrugge D7/352
D715,086 S * 10/2014 Piret D7/352
2007/0017384 A1* 1/2007 Serra A47J 37/0611
99/372
2015/0033953 A1* 2/2015 Fung A47J 37/0611
99/377
2015/0033954 A1* 2/2015 Fung A47J 37/0611
99/377
2015/0033955 A1* 2/2015 Fung A47J 37/0611
99/390
2015/0033957 A1* 2/2015 Fung A47J 37/0611
99/390
2015/0037472 A1* 2/2015 Fung A47J 27/62
426/231
2015/0037482 A1* 2/2015 Fung A47J 27/62
426/523
2017/0181573 A1* 6/2017 Altenritter A47J 37/0611
2017/0181574 A1* 6/2017 Altenritter A47J 37/0611

* cited by examiner

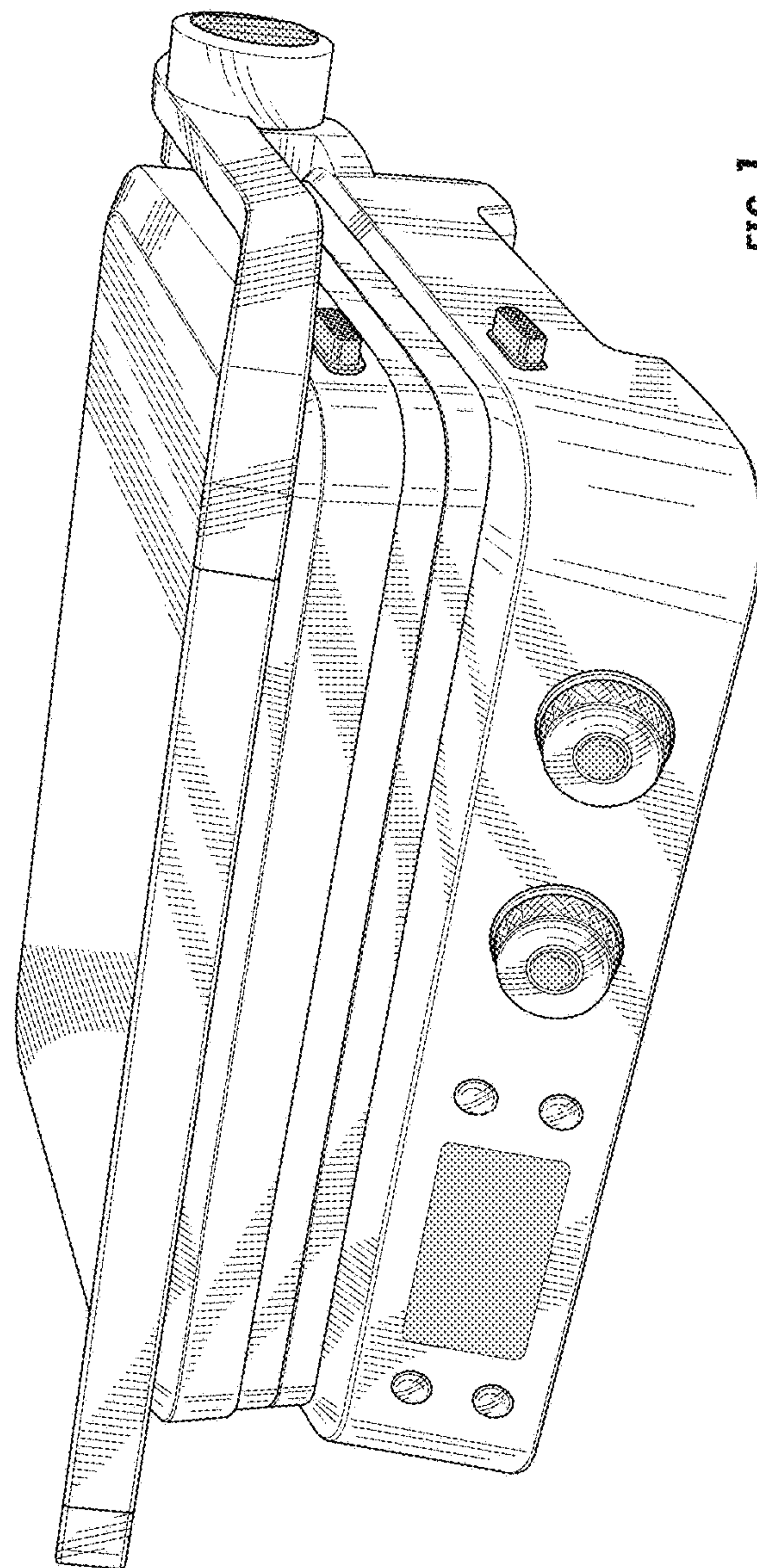


FIG. 1

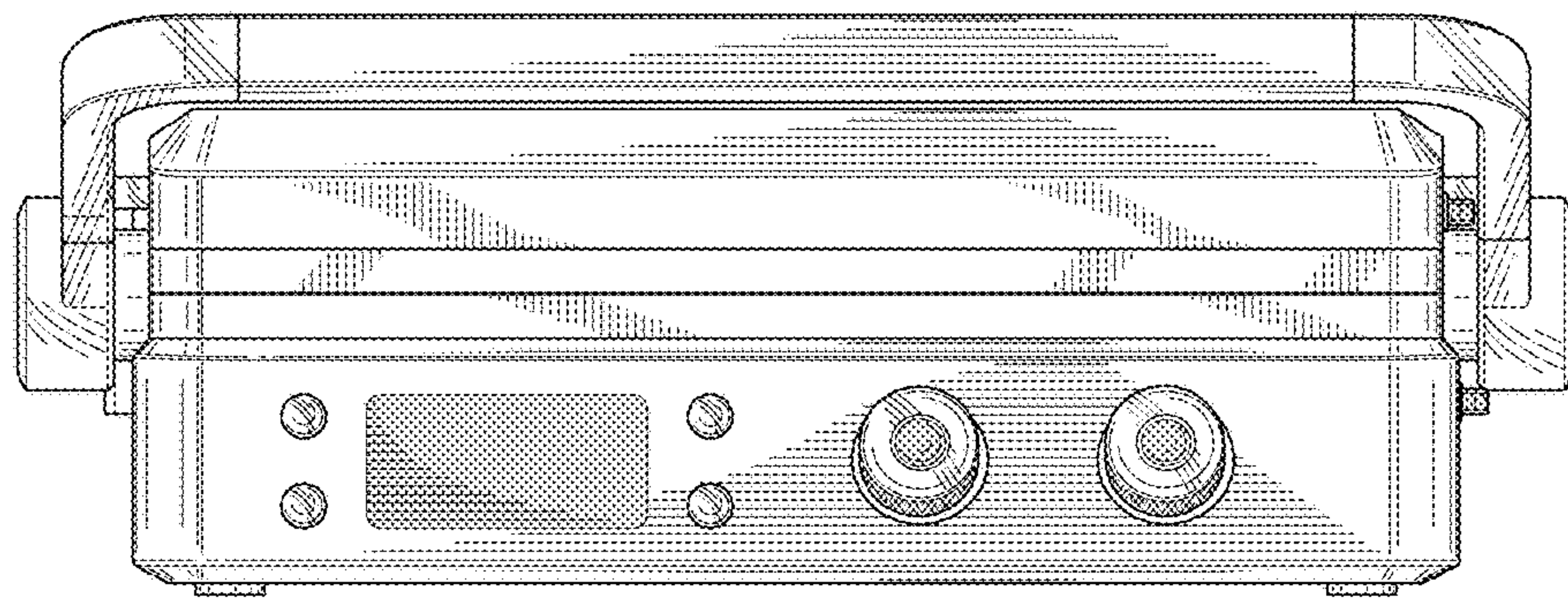


FIG. 2

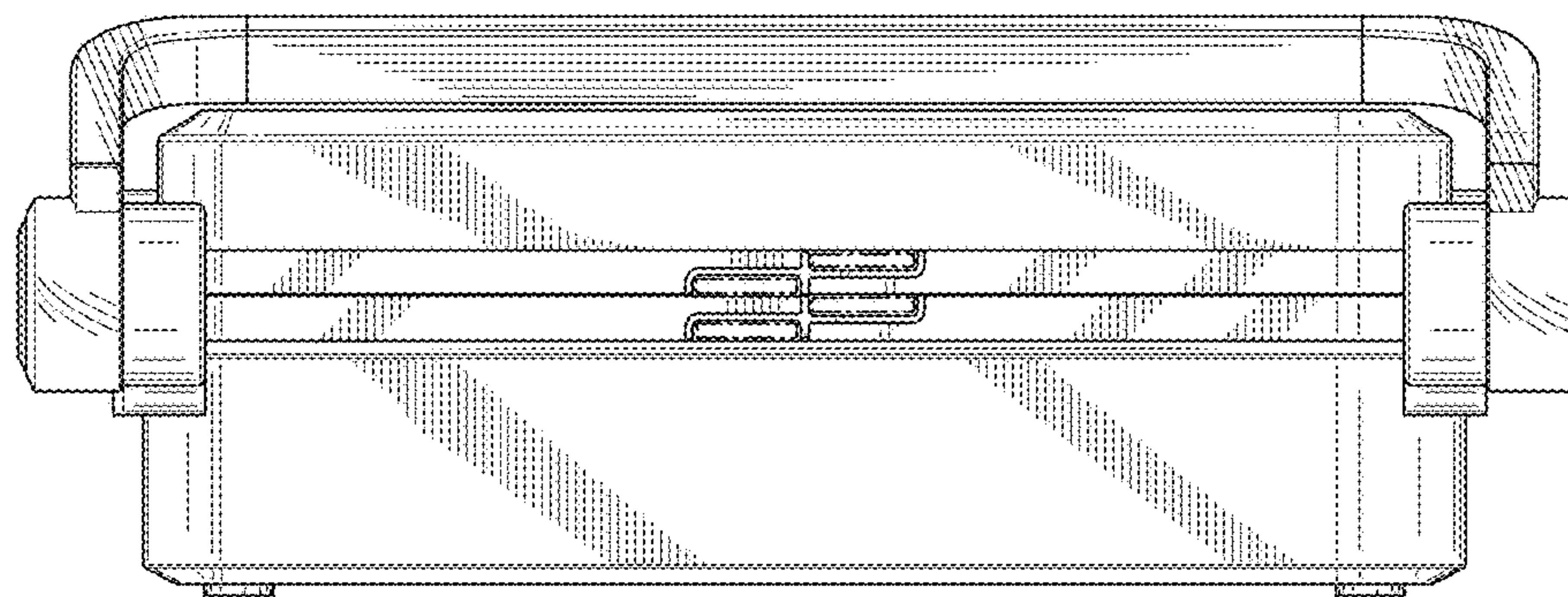


FIG. 3

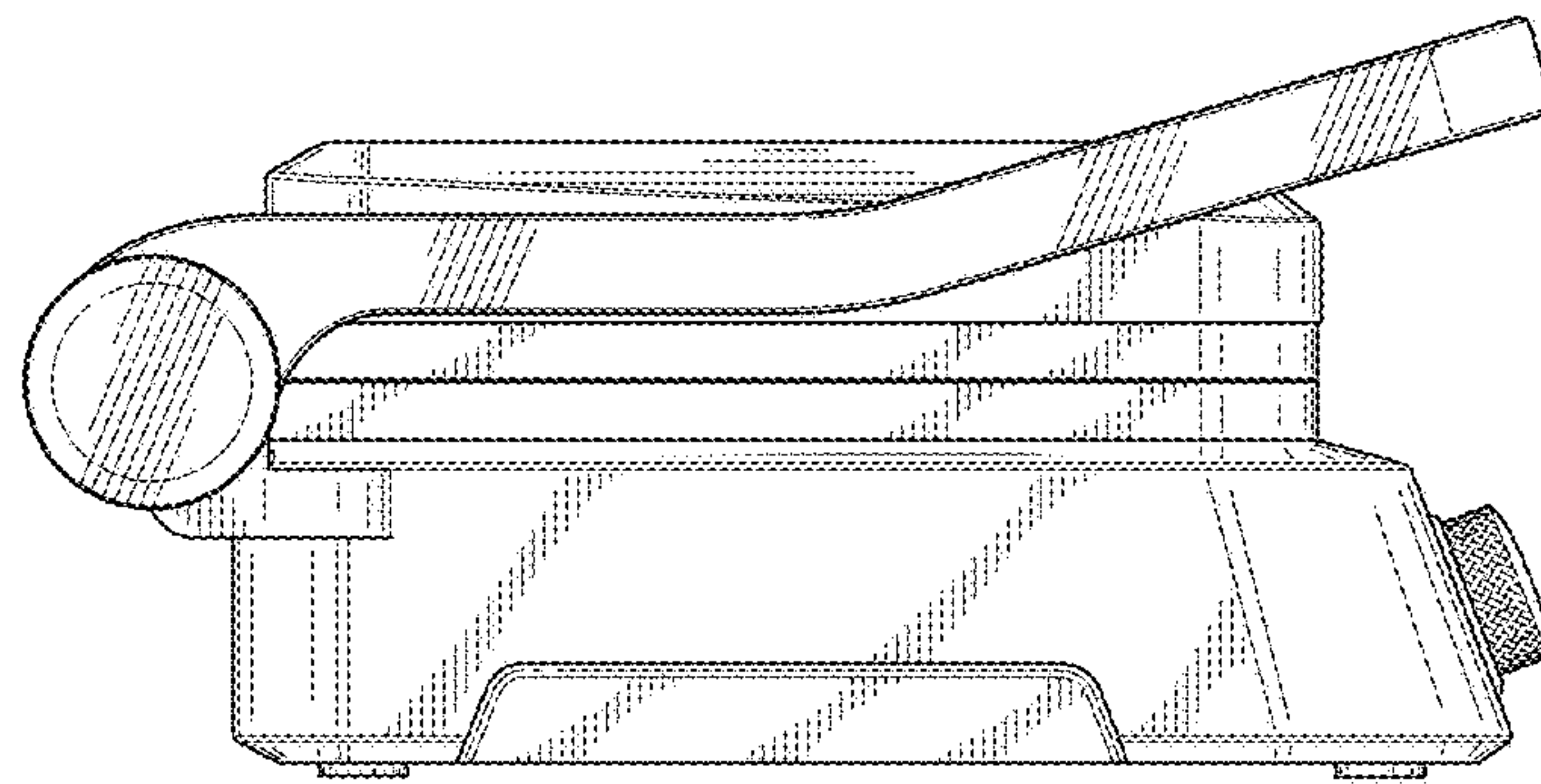


FIG. 4

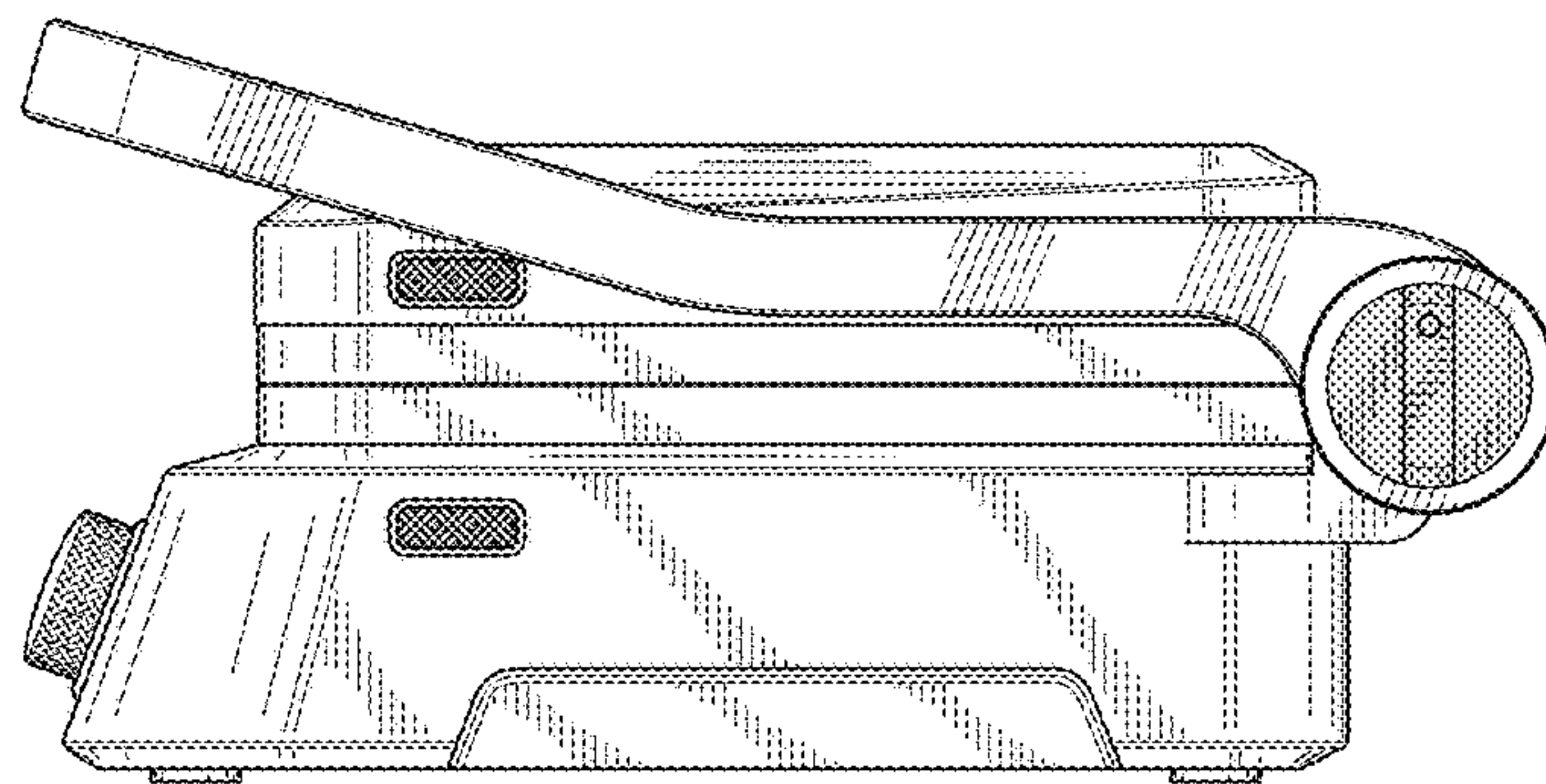


FIG. 5

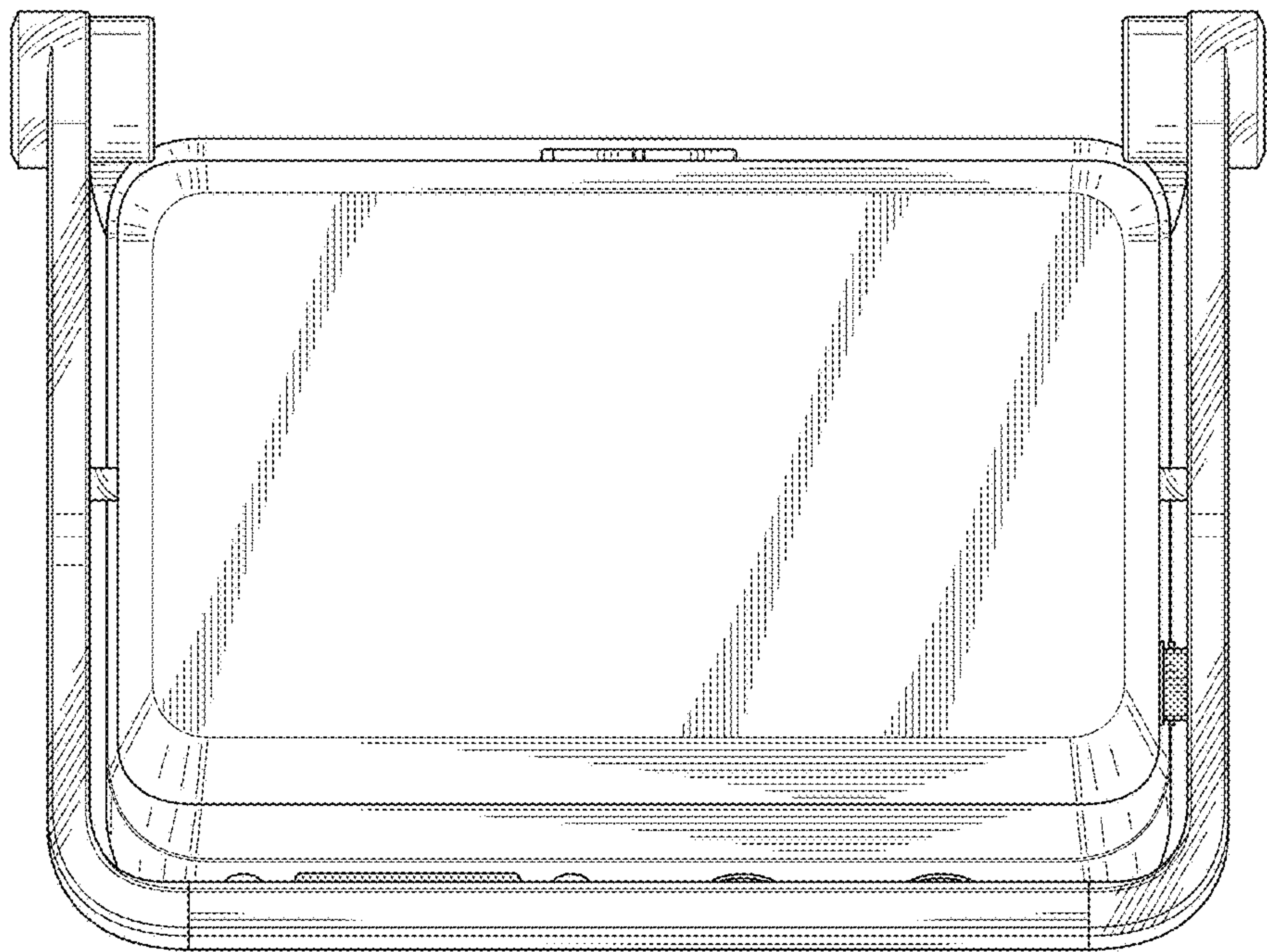


FIG. 6

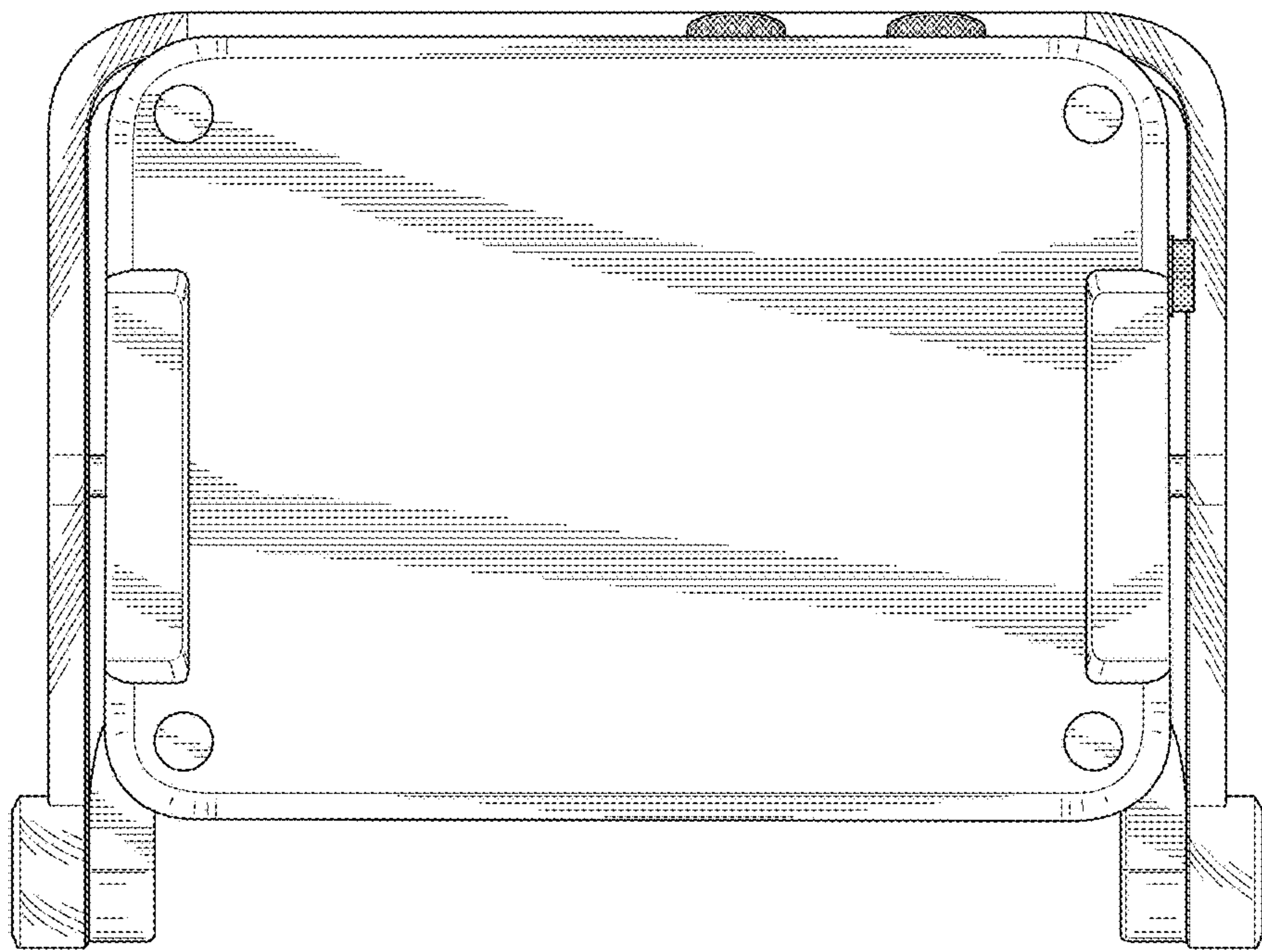


FIG. 7