



US00D853170S

(12) **United States Design Patent**  
**Magee**

(10) **Patent No.:** **US D853,170 S**

(45) **Date of Patent:** **\*\* Jul. 9, 2019**

- (54) **GRILL**
- (71) Applicant: **Travis M. Magee**, Rowlett, TX (US)
- (72) Inventor: **Travis M. Magee**, Rowlett, TX (US)
- (\*\*) Term: **15 Years**
- (21) Appl. No.: **29/647,974**
- (22) Filed: **May 17, 2018**
- (51) **LOC (11) Cl.** ..... **07-02**
- (52) **U.S. Cl.**  
USPC ..... **D7/332**
- (58) **Field of Classification Search**  
USPC ..... D7/332-337, 352-356, 358, 362-364,  
D7/366; 126/25 R  
CPC ..... A47J 33/00; A47J 37/07; A47J 37/0704;  
A47J 37/0713; A47J 37/0763; A47J  
37/0786; A47J 2037/0777; F24C 3/14;  
F24B 1/202  
See application file for complete search history.

D415,388 S *	10/1999	Wagner	.....	D7/332
D535,137 S *	1/2007	Mashburn	.....	D7/332
D576,442 S *	9/2008	Chung	.....	D7/337
D690,983 S *	10/2013	Eftink	.....	D7/334
D712,189 S *	9/2014	Eftink	.....	D7/334
D722,813 S *	2/2015	Chung	.....	D7/337
D809,847 S *	2/2018	Liu	.....	D7/334

\* cited by examiner

*Primary Examiner* — Brett Miller  
(74) *Attorney, Agent, or Firm* — Mitchell Law PLLC;  
Matthew W. Mitchell

(57) **CLAIM**

The ornamental design for a grill, as shown and described.

**DESCRIPTION**

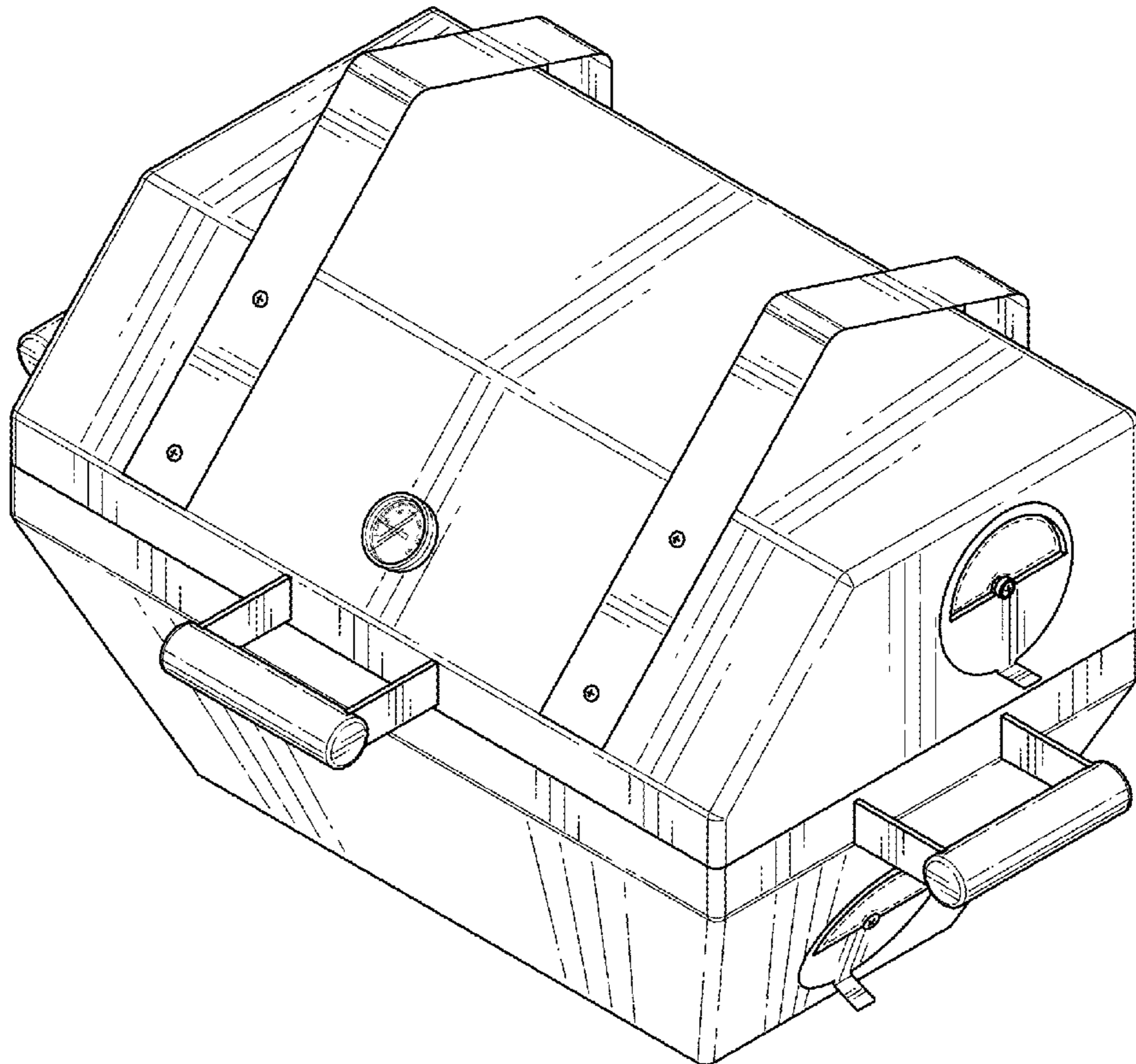
FIG. 1 is a front isometric view of the grill of the present invention;  
 FIG. 2 is a rear isometric view thereof;  
 FIG. 3 is a front view thereof;  
 FIG. 4 is a rear view thereof;  
 FIG. 5 is a left side view thereof;  
 FIG. 6 is a right side view thereof; and,  
 FIG. 7 is a top plan view thereof.  
 The broken lines inside the four vent openings represent bounds of the claimed design, and the broken line and the region enclosed by the broken lines is not part of the claimed design.

(56) **References Cited**

U.S. PATENT DOCUMENTS

D206,738 S *	1/1967	Wilkinson	.....	D7/334
D227,179 S *	6/1973	Grafton	.....	D7/352
D231,070 S *	4/1974	Koziol	.....	D7/332

**1 Claim, 7 Drawing Sheets**



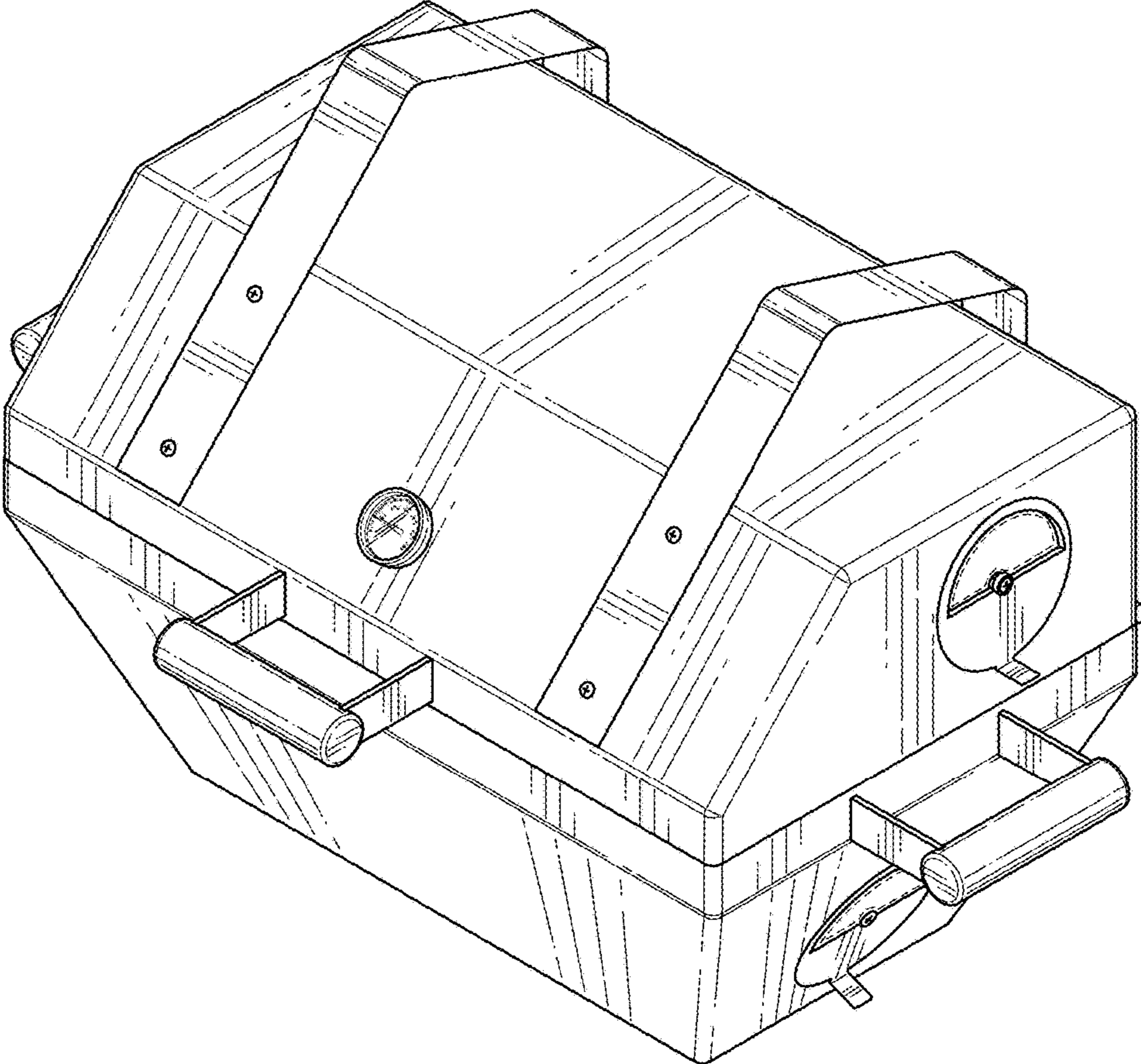


FIG. 1

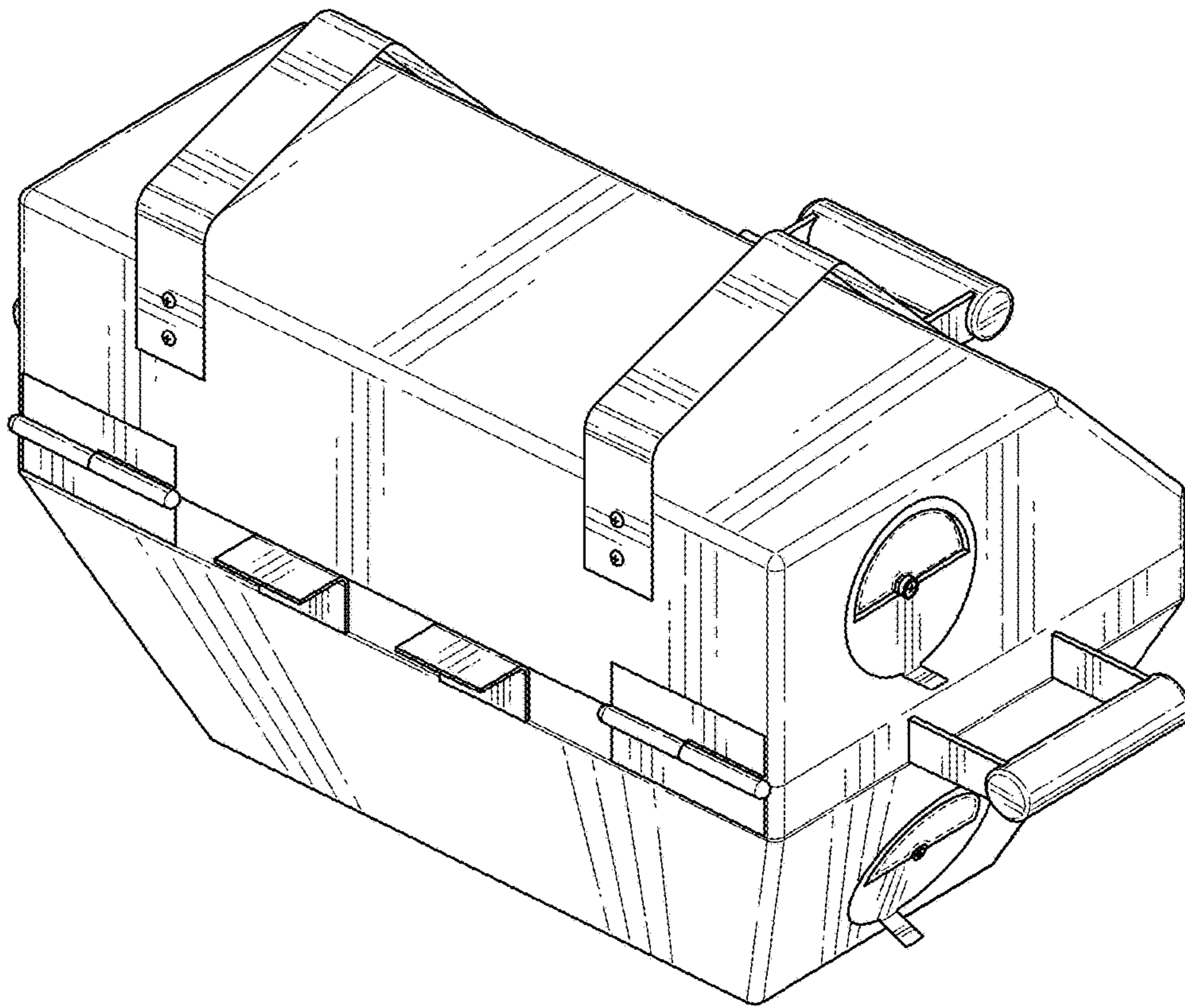


FIG. 2

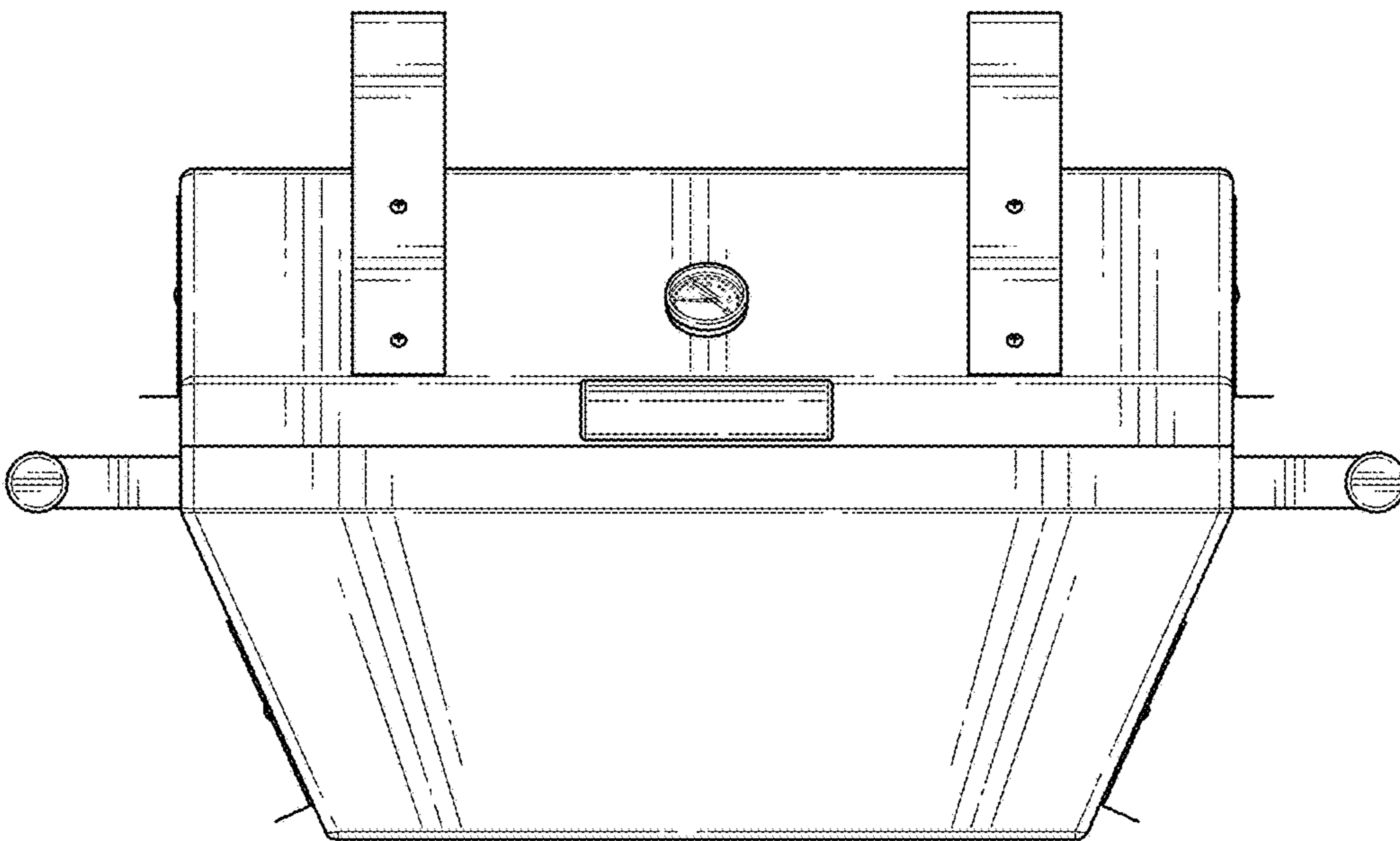


FIG. 3

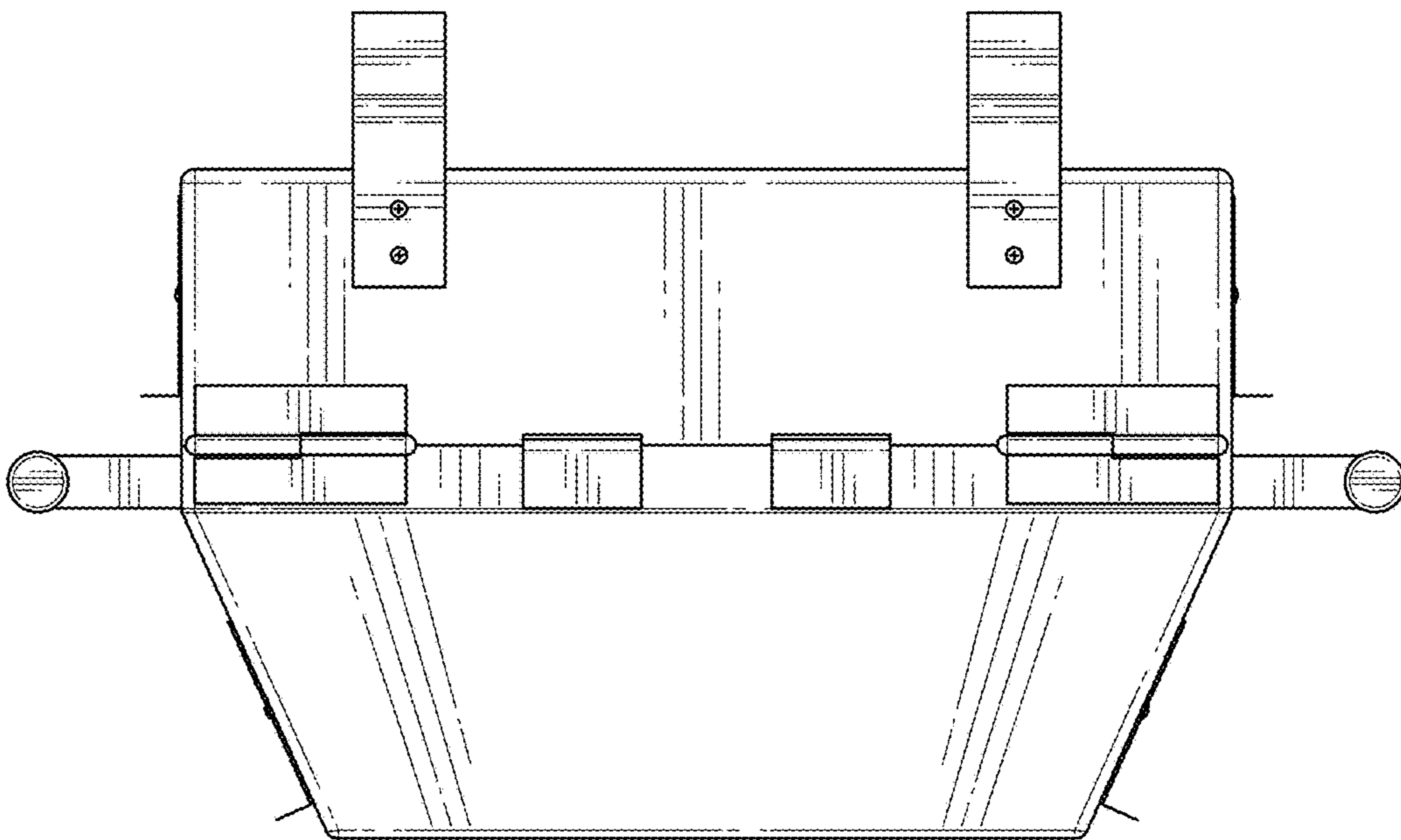


FIG. 4

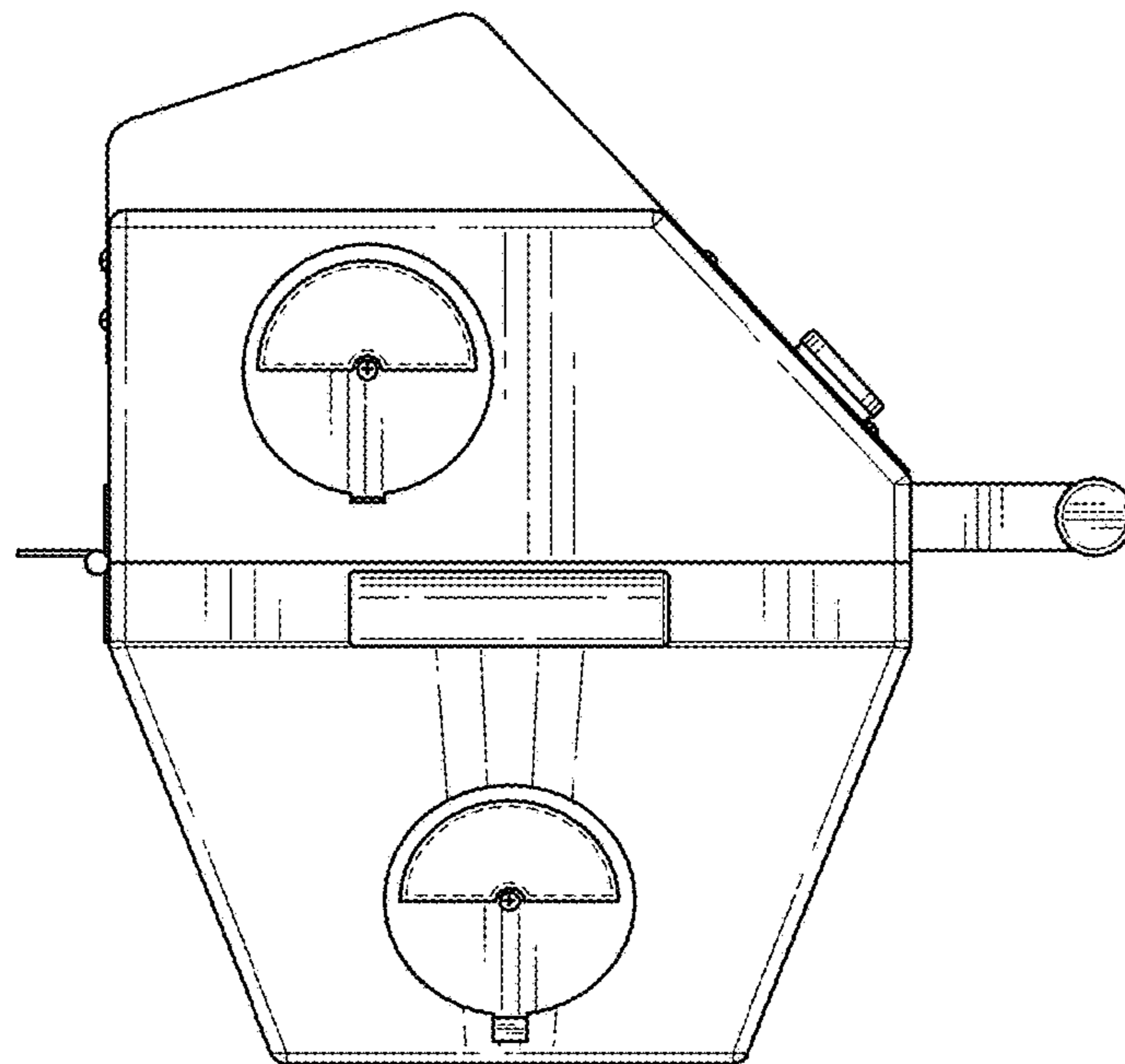


FIG. 5

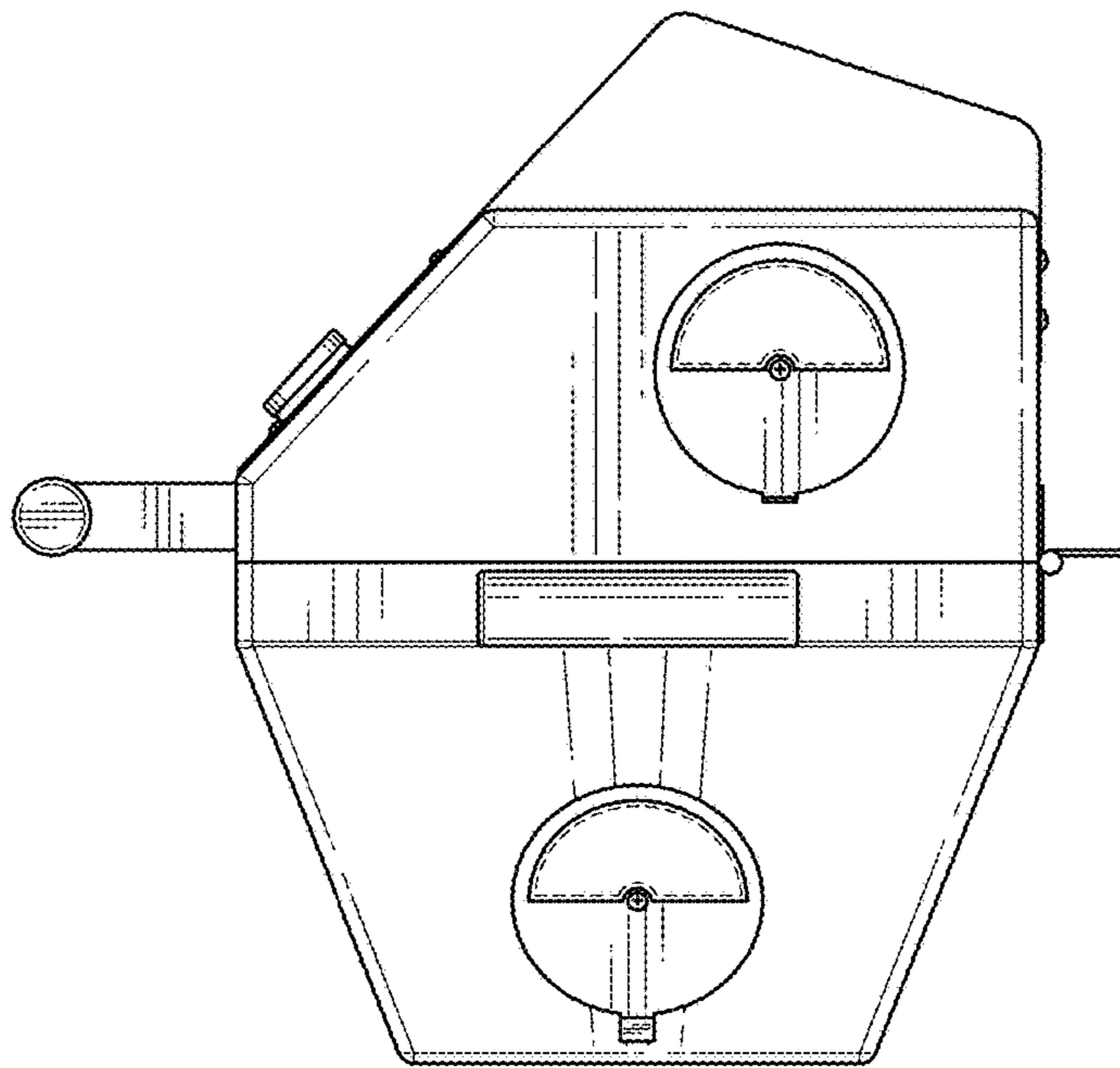


FIG. 6

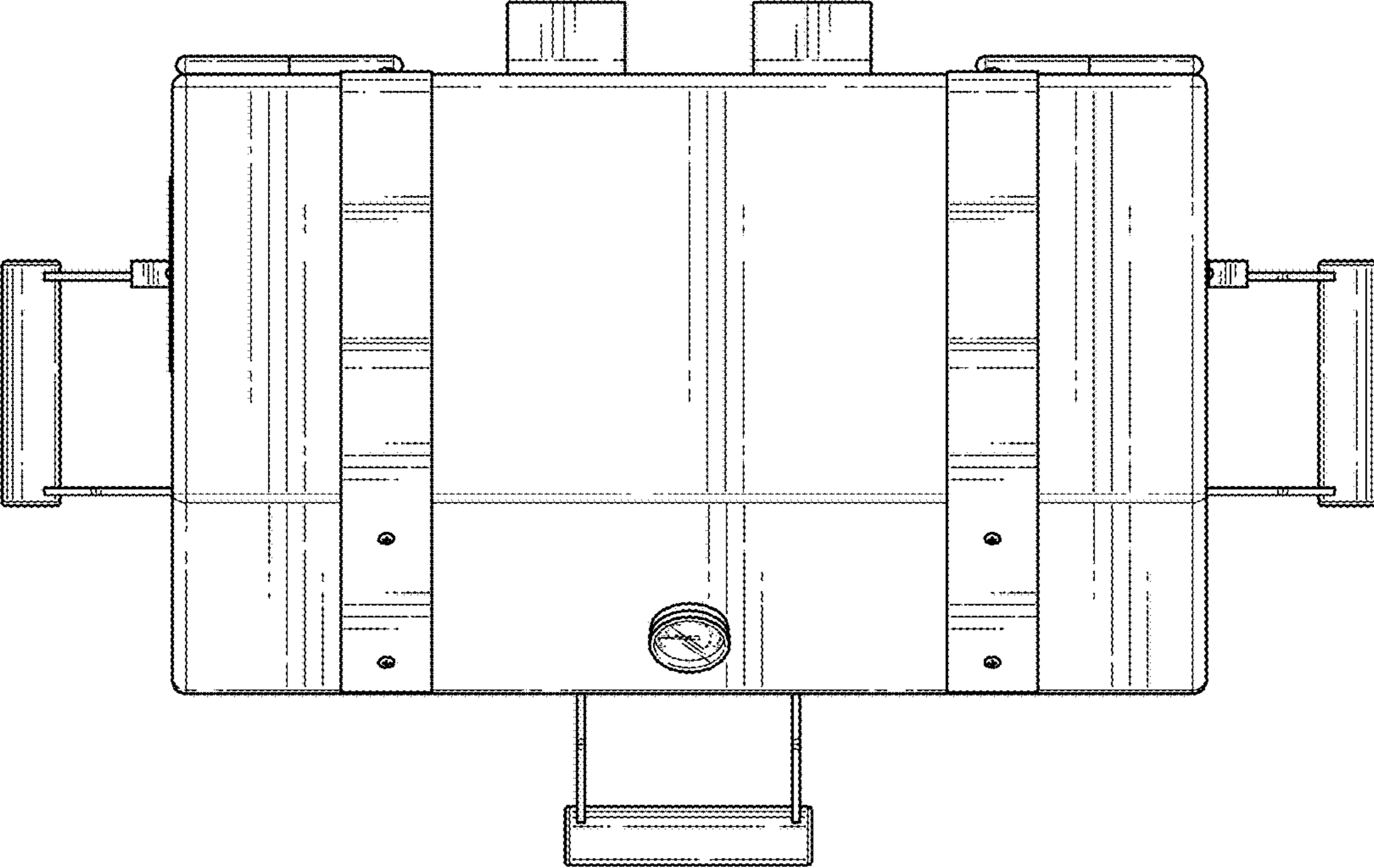


FIG. 7