



US00D853169S

(12) **United States Design Patent**
Choi

(10) **Patent No.:** **US D853,169 S**
(45) **Date of Patent:** **** Jul. 9, 2019**

- (54) **WATER PURIFIER**
- (71) Applicant: **Coway Co., Ltd.**, Gongju-si (KR)
- (72) Inventor: **Jong Ho Choi**, Seoul (KR)
- (73) Assignee: **Coway Co., Ltd.**, Gongju-si,
Choongcheongnam-do (KR)
- (**) Term: **15 Years**
- (21) Appl. No.: **29/629,075**
- (22) Filed: **Dec. 11, 2017**

D553,416 S *	10/2007	Lin	D7/306
D600,062 S *	9/2009	Lavy	D7/309
D604,087 S *	11/2009	Lavy	D7/309
D658,423 S *	5/2012	Curtis	D7/306
D669,154 S *	10/2012	Choi	D23/207
D697,356 S *	1/2014	Choi	D23/207
D699,501 S *	2/2014	Arora	D7/307
D702,237 S *	4/2014	Oberpriller	D14/420
D717,911 S *	11/2014	Moon	D23/207
D776,970 S *	1/2017	Broen	D7/307
D822,154 S *	7/2018	Lee	D23/207
D825,243 S *	8/2018	Yoon	D7/308
D842,428 S *	3/2019	Choi	D23/207
2012/0222999 A1 *	9/2012	Ha	C02F 1/008 210/175
2017/0057802 A1 *	3/2017	Lee	B67D 1/0085

(30) **Foreign Application Priority Data**

- Jun. 26, 2017 (KR) 30-2017-0029257
- (51) **LOC (11) Cl.** **07-01**
- (52) **U.S. Cl.**
USPC **D7/307; D7/308; D7/311**
- (58) **Field of Classification Search**
USPC D7/300, 309-311, 306-308, 305, 397,
D7/355, 362, 365, 367, 399; 222/146.6,
222/185.1, 135; 99/295, 273, 304, 288,
99/279, 307, 283; D20/4
CPC A47J 31/46; A47J 31/407; A47J 31/50;
A47J 31/18; A47J 31/00; A47J 27/04;
A47J 31/0573; A47J 31/52
See application file for complete search history.

(56) **References Cited**

U.S. PATENT DOCUMENTS

D206,519 S *	12/1966	Wolfe	D7/308
D261,390 S *	10/1981	Harvill	D7/307
D272,975 S *	3/1984	Miller	D7/309
D335,062 S *	4/1993	Kolada	D15/80
D368,617 S *	4/1996	Jackson	D7/306
D408,206 S *	4/1999	Stafford	D7/306
D453,088 S *	1/2002	Bell	D7/307

* cited by examiner

Primary Examiner — Marianne N Pandozzi
(74) *Attorney, Agent, or Firm* — Pearl Cohen Zedek
Latzer Baratz LLP

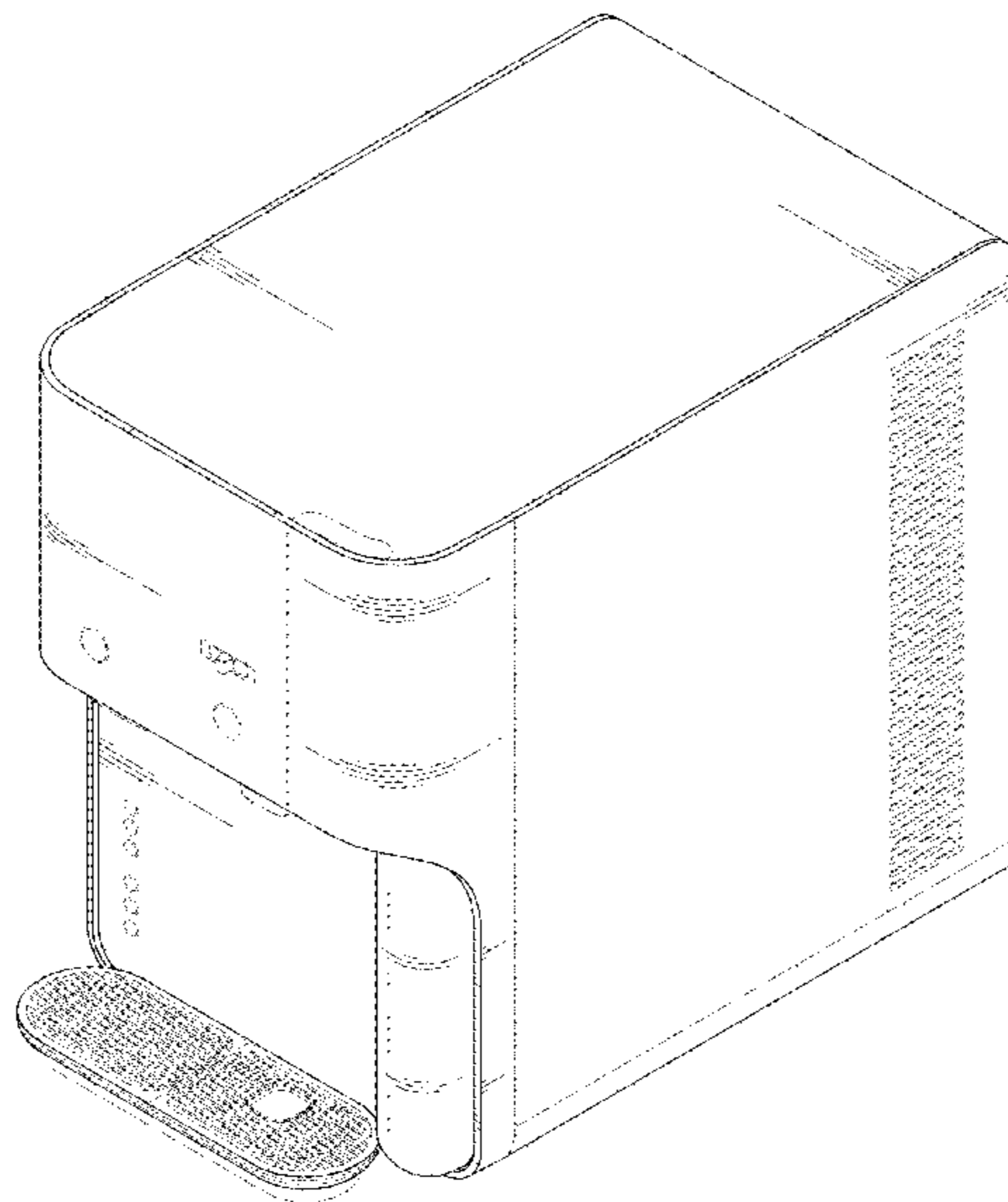
(57) **CLAIM**

The ornamental design for an water purifier, as shown and described.

DESCRIPTION

FIG. 1 is a top, front, left side perspective view of the water purifier;
FIG. 2 is a front elevational view thereof;
FIG. 3 is a back elevational view thereof;
FIG. 4 is a left side elevational view thereof;
FIG. 5 is a right side elevational view thereof;
FIG. 6 is a top plan view thereof;
FIG. 7 is a bottom plan view thereof; and,
FIG. 8 is a top, front, right side perspective view of the water purifier.
The broken lines in the figures show portions of the water purifier that form no part of the claimed design.

1 Claim, 8 Drawing Sheets



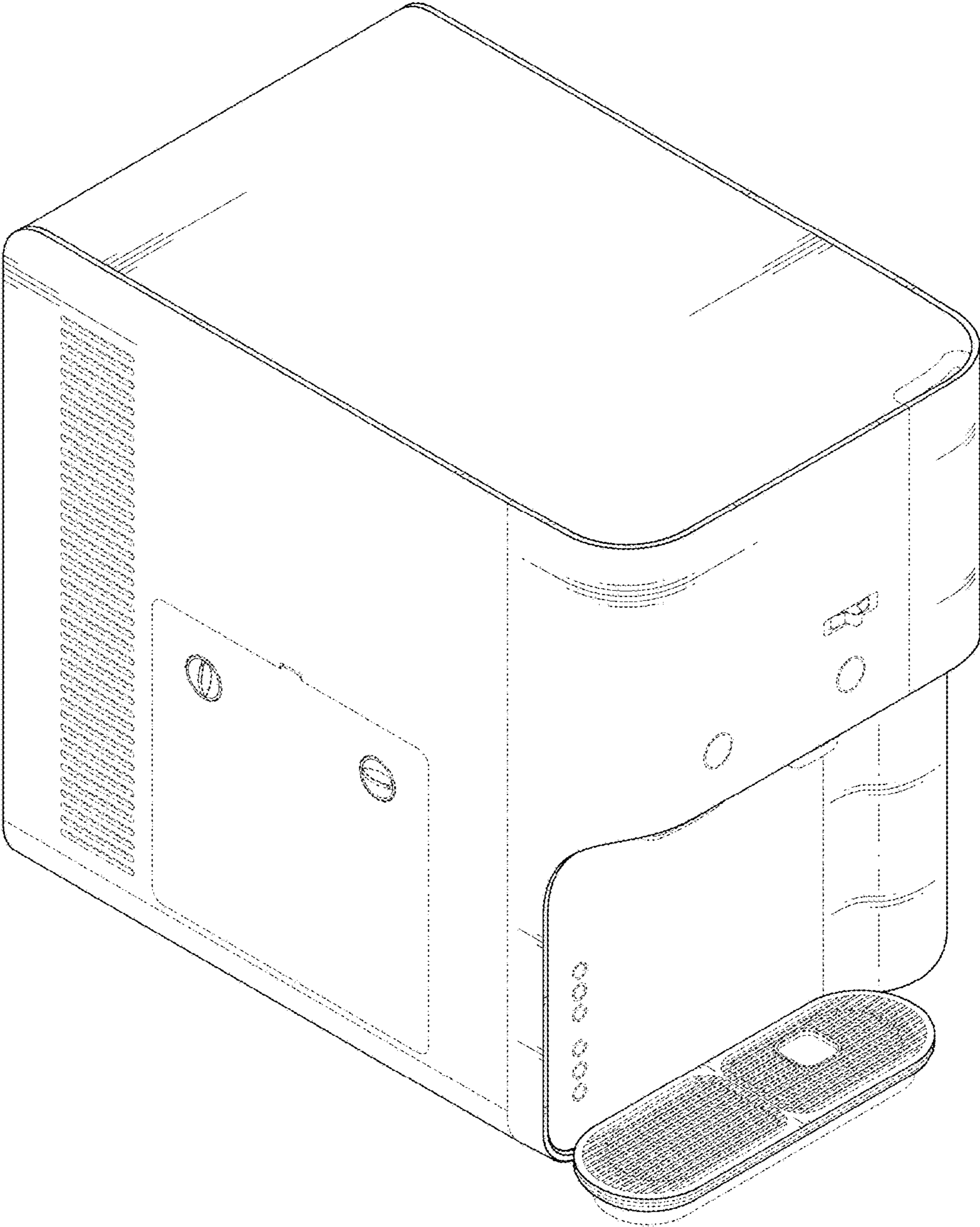


FIG. 1

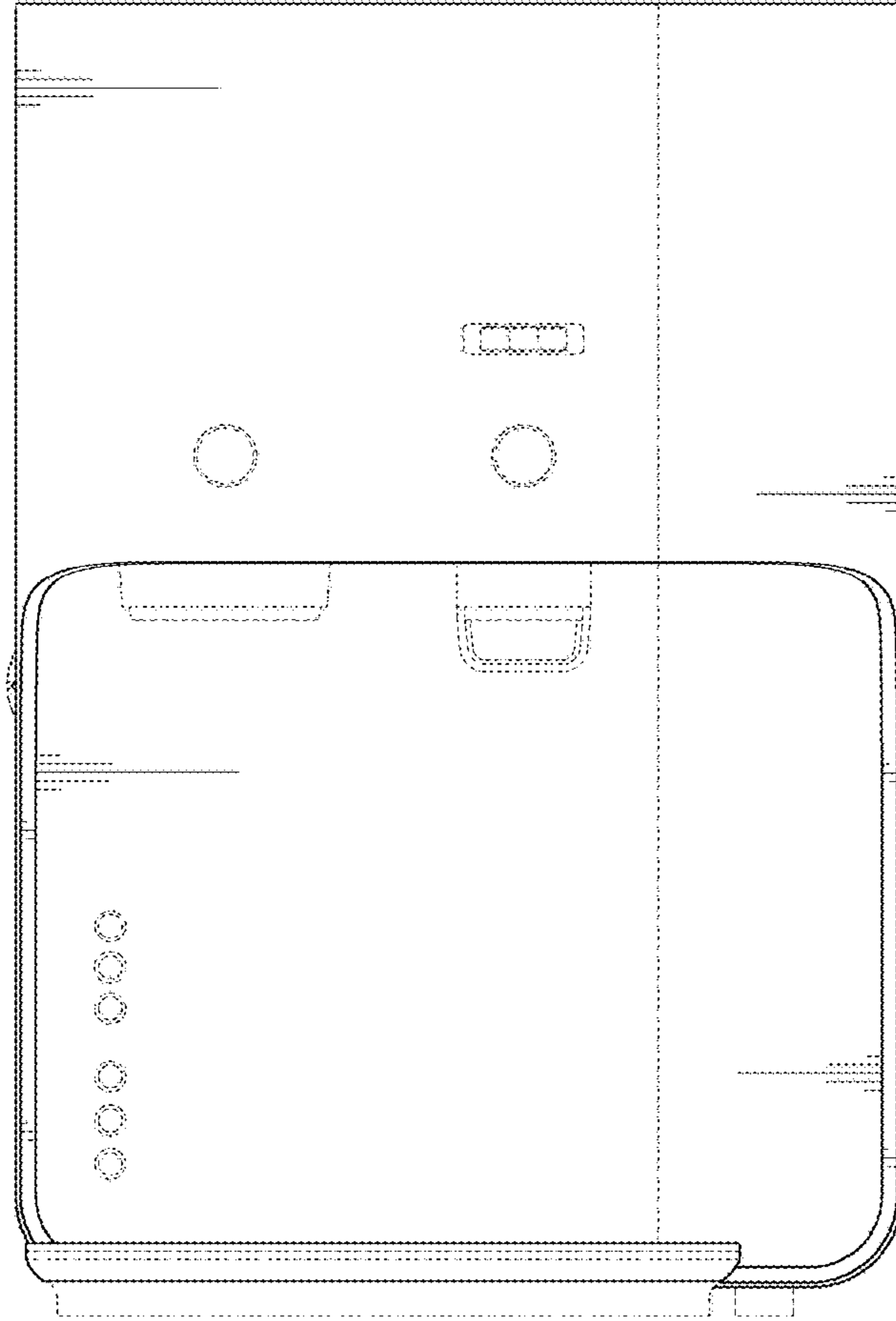


FIG. 2

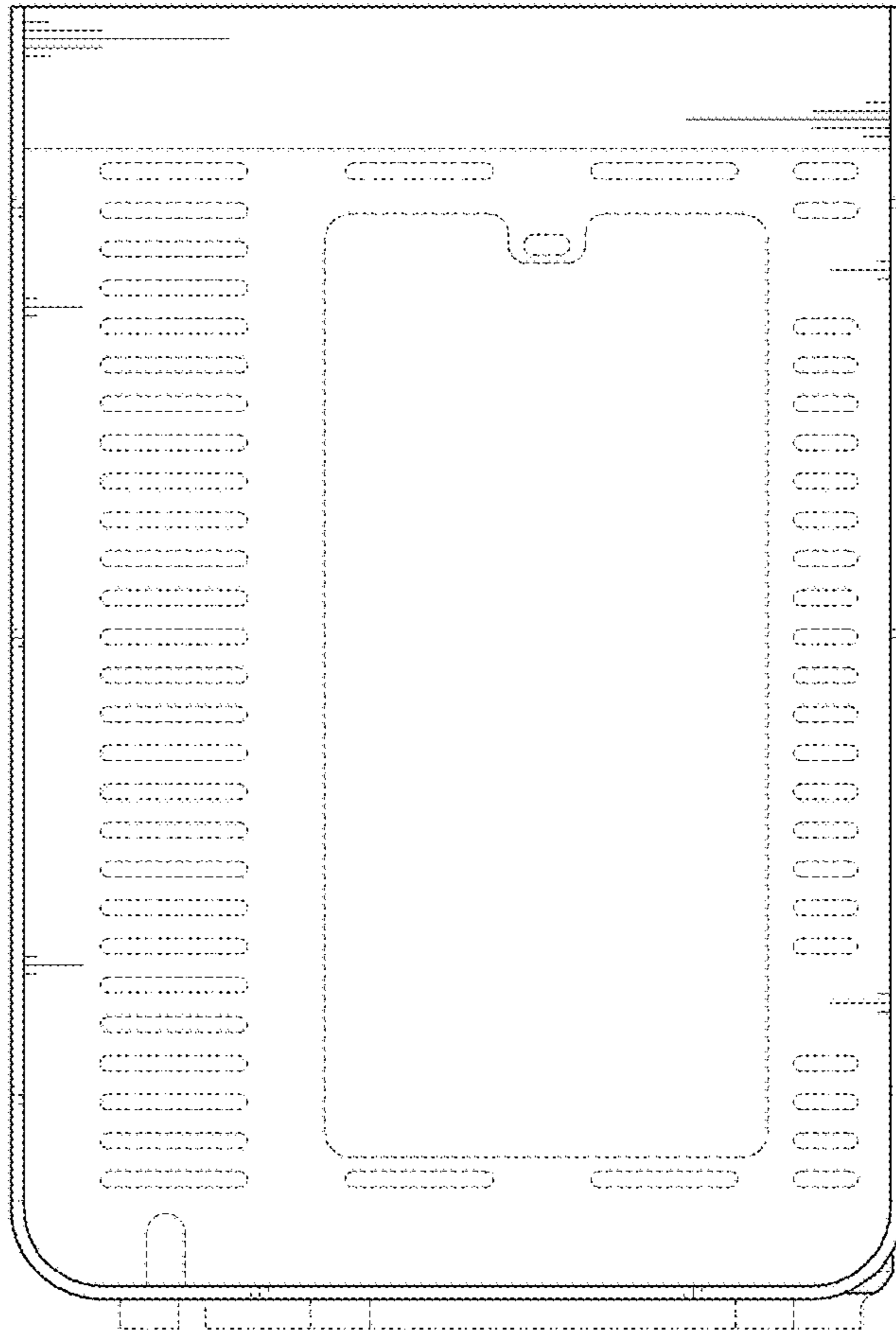


FIG. 3

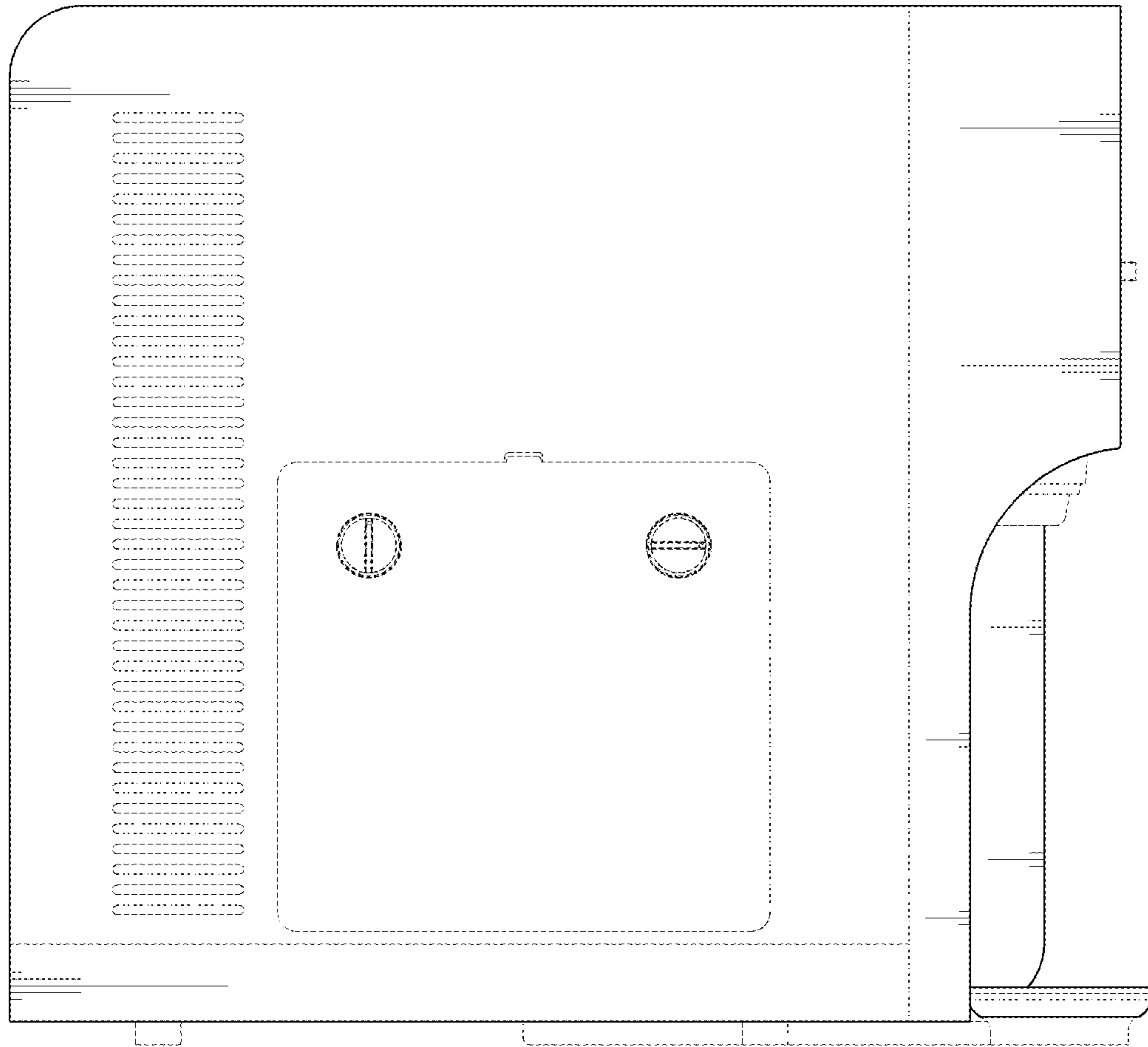


FIG. 4

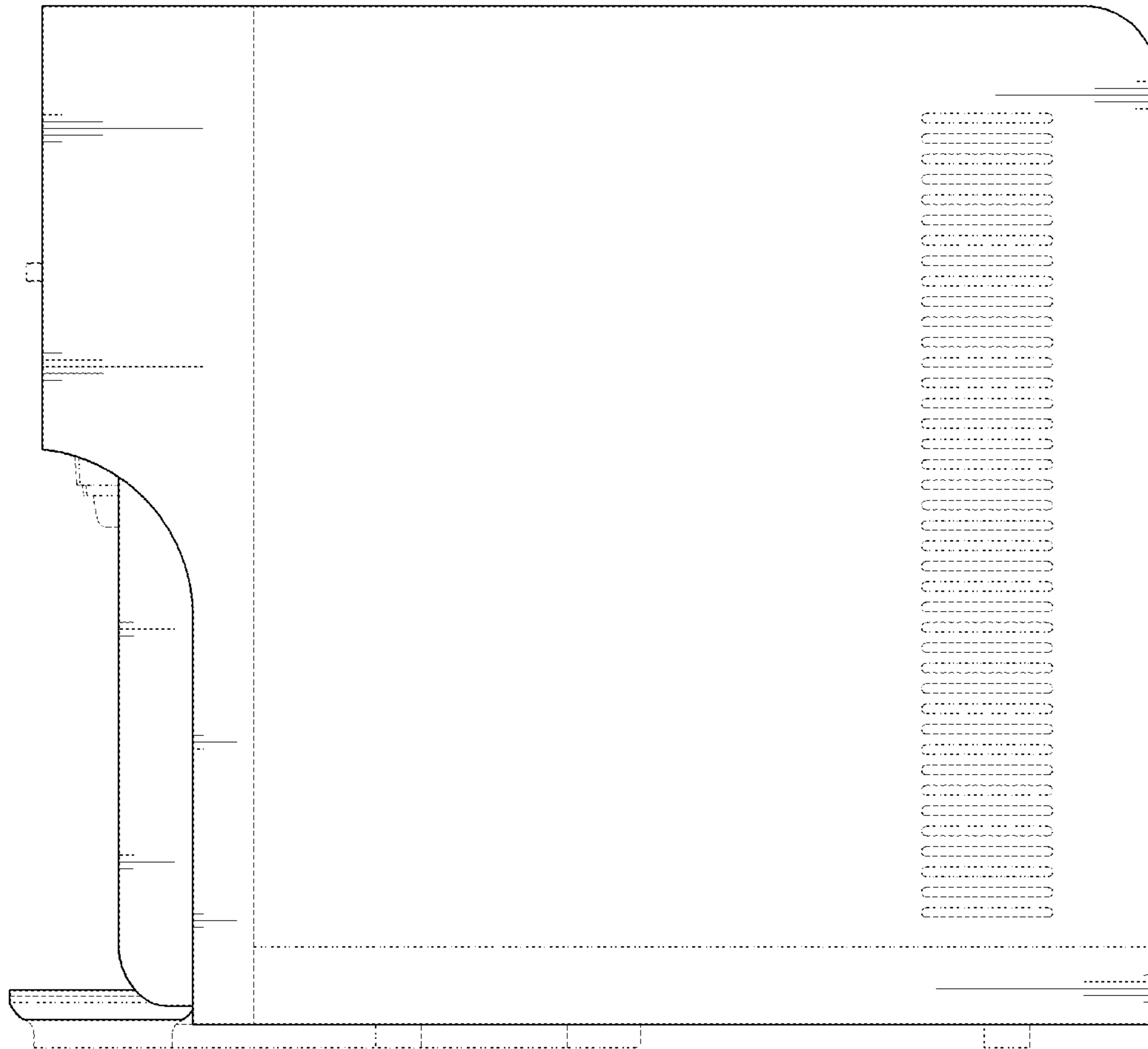


FIG. 5

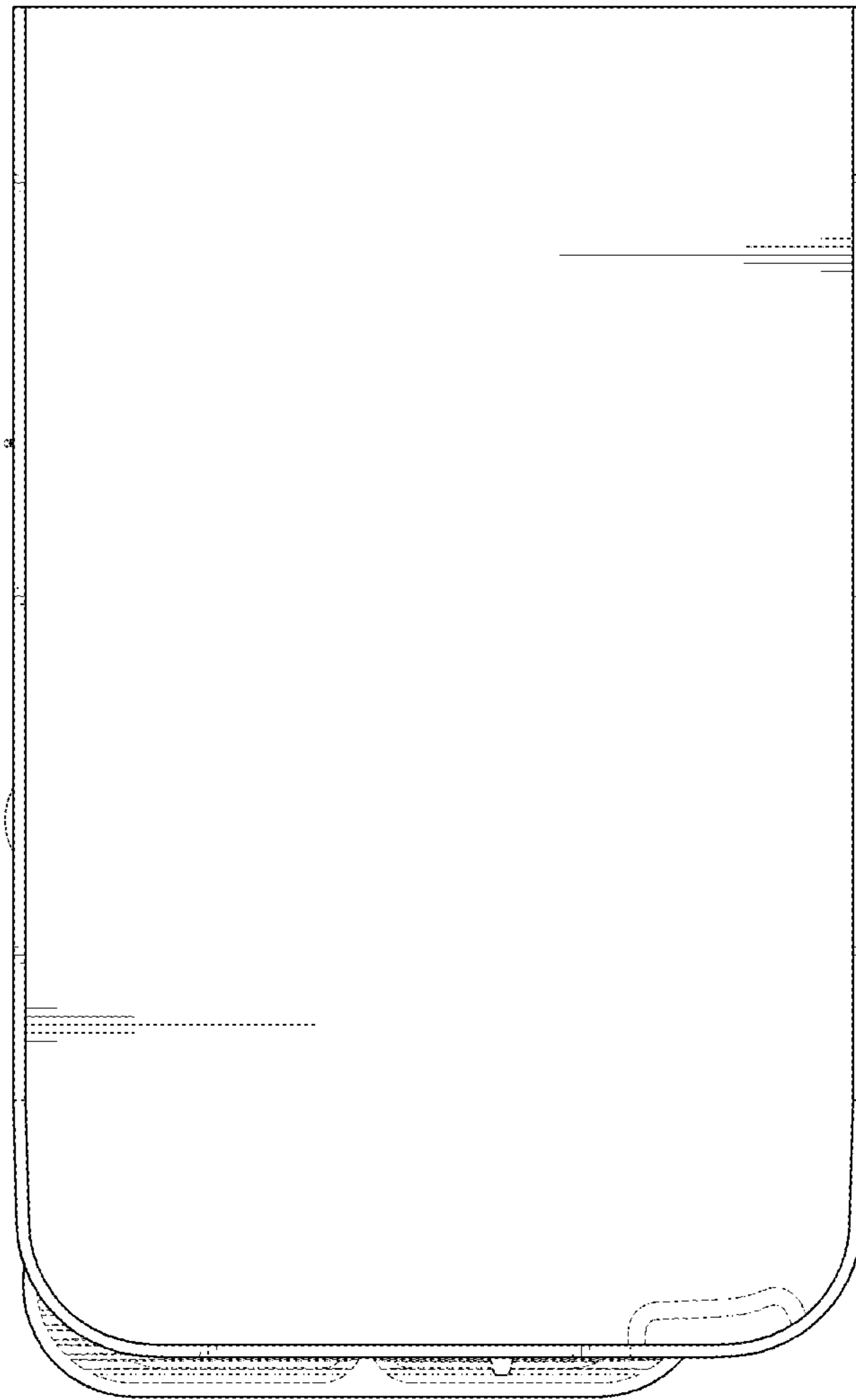


FIG. 6

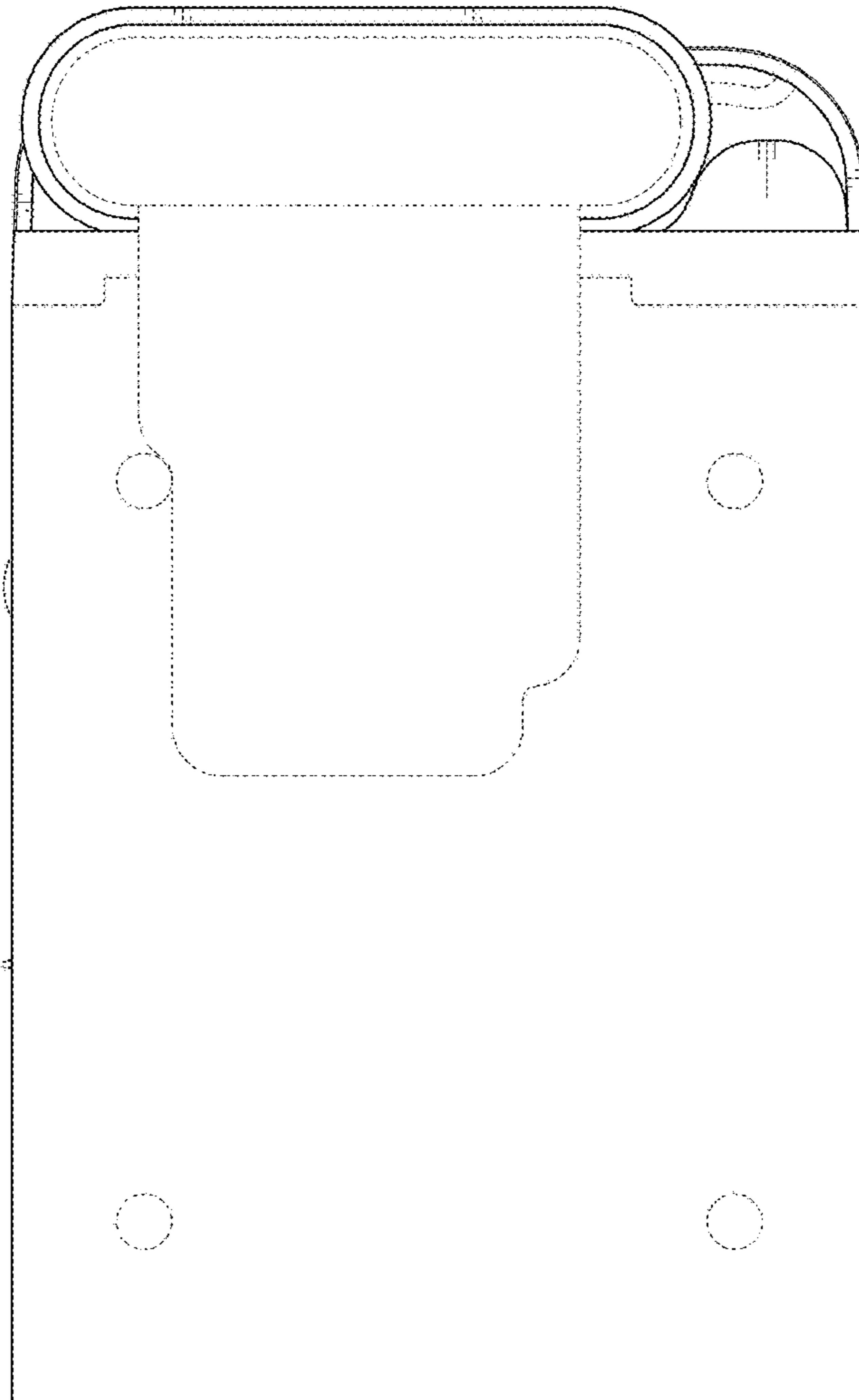


FIG. 7

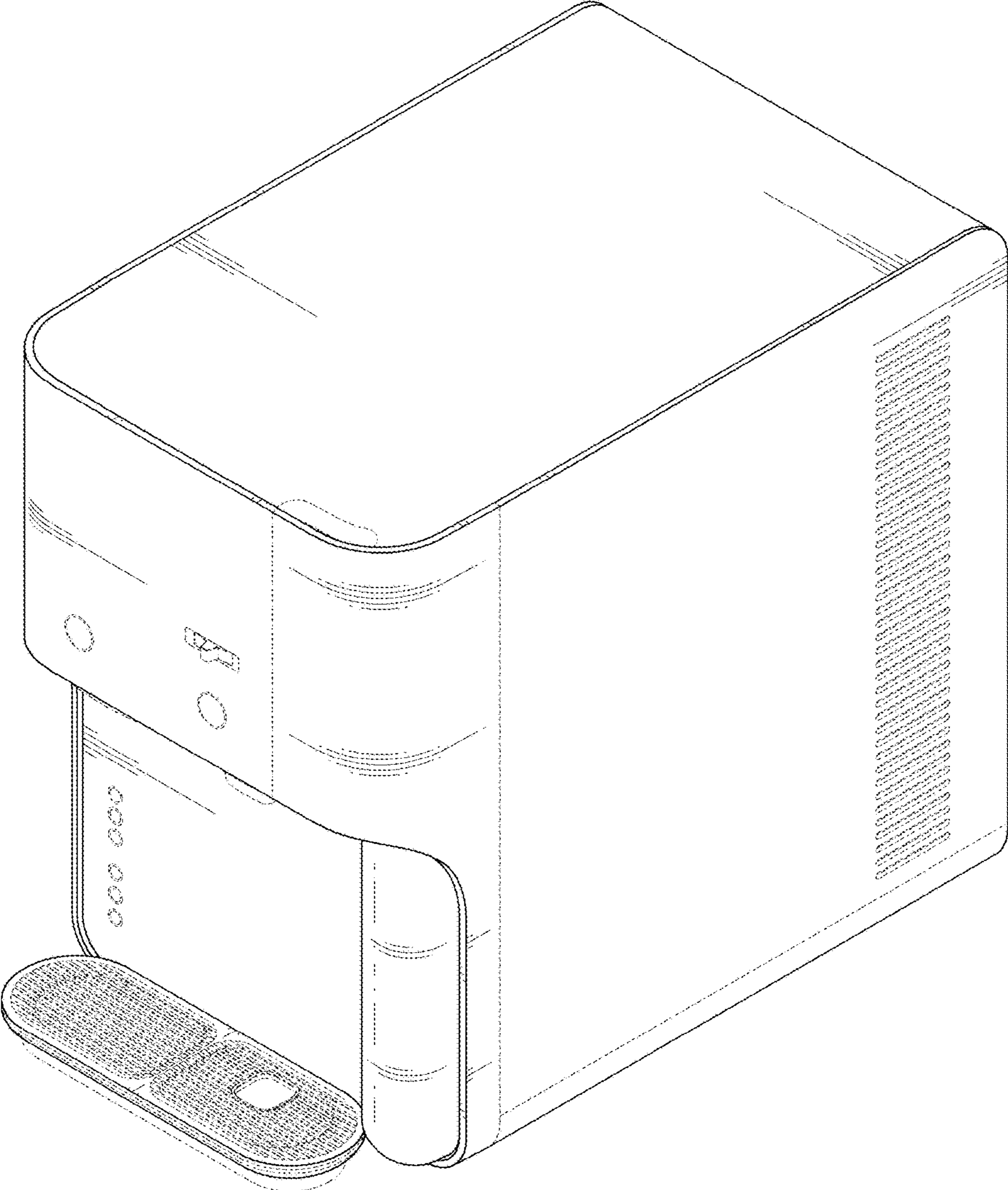


FIG. 8