



US00D853168S

(12) **United States Design Patent** (10) **Patent No.:** **US D853,168 S**
Marmier et al. (45) **Date of Patent:** **** Jul. 9, 2019**

(54) **BEVERAGE DISPENSER**

(71) Applicant: **Société des Produits Nestlé S.A.**,
Vevey (CH)

(72) Inventors: **Yves Marmier**, La Chaux-de-Fonds
(CH); **Sébastien Dassi**, La
Chaux-de-Fonds (CH); **Blandine Gay**,
La Chaux-de-Fonds (CH)

(73) Assignee: **Société des Produits Nestlé S.A.**,
Vevey (CH)

(**) Term: **15 Years**

(21) Appl. No.: **29/613,297**

(22) Filed: **Aug. 9, 2017**

(30) **Foreign Application Priority Data**

Feb. 9, 2017 (CH) 142979

(51) **LOC (11) Cl.** **07-01**

(52) **U.S. Cl.**
USPC **D7/306; D7/311**

(58) **Field of Classification Search**
USPC D7/300, 309–311, 306–308, 305;
222/146.6, 185.1, 135; 99/295, 273, 304,
99/288, 279, 307, 283
CPC A47J 31/46; A47J 31/407; A47J 31/40;
A47J 31/465; A47J 31/4485
See application file for complete search history.

(56) **References Cited**

U.S. PATENT DOCUMENTS

D366,385 S * 1/1996 Alessi Anghii D7/309
D449,197 S * 10/2001 Byler D7/309

D471,753 S * 3/2003 Hsu D7/309
D548,507 S * 8/2007 Jacquet D7/309
D563,712 S * 3/2008 Alferink D7/306
D588,855 S * 3/2009 Jacquet D7/309
D623,463 S * 9/2010 Struzka D7/306
D632,519 S * 2/2011 Zimmermann D7/301
D661,536 S * 6/2012 Hughes, II D7/301
D668,497 S * 10/2012 Hixon D7/301
D704,495 S * 5/2014 Carden D7/309
D724,884 S * 3/2015 Struzka D7/306
D725,954 S * 4/2015 Michel D7/306
D755,555 S * 5/2016 Struzka D7/306
D799,256 S * 10/2017 Fabbri D7/309
D816,382 S * 5/2018 Ammon D7/306

* cited by examiner

Primary Examiner — Marianne N Pandozzi

(74) *Attorney, Agent, or Firm* — Finnegan, Henderson,
Farabow, Garrett & Dunner LLP

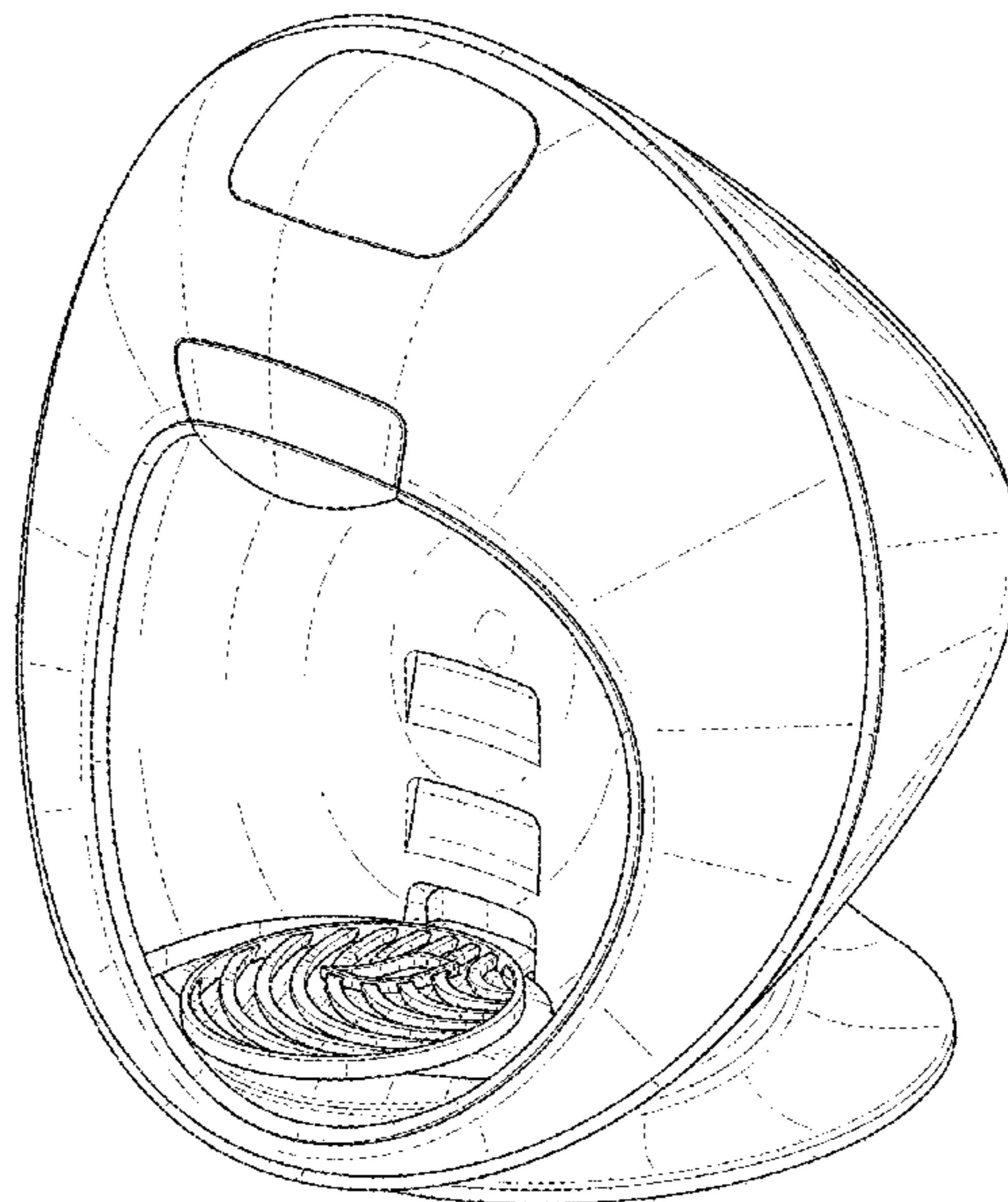
(57) **CLAIM**

The ornamental design for a beverage dispenser, as shown
and described.

DESCRIPTION

FIG. 1 is a top, front, right perspective view of a beverage
dispenser showing our new design;
FIG. 2 is a front elevation view thereof;
FIG. 3 is a rear elevation view thereof;
FIG. 4 is a left side view thereof;
FIG. 5 is a right side view thereof;
FIG. 6 is a top plan view thereof; and,
FIG. 7 is a bottom plan view thereof.
The portions depicted in broken lines of even length form no
part of the claimed design.

1 Claim, 7 Drawing Sheets



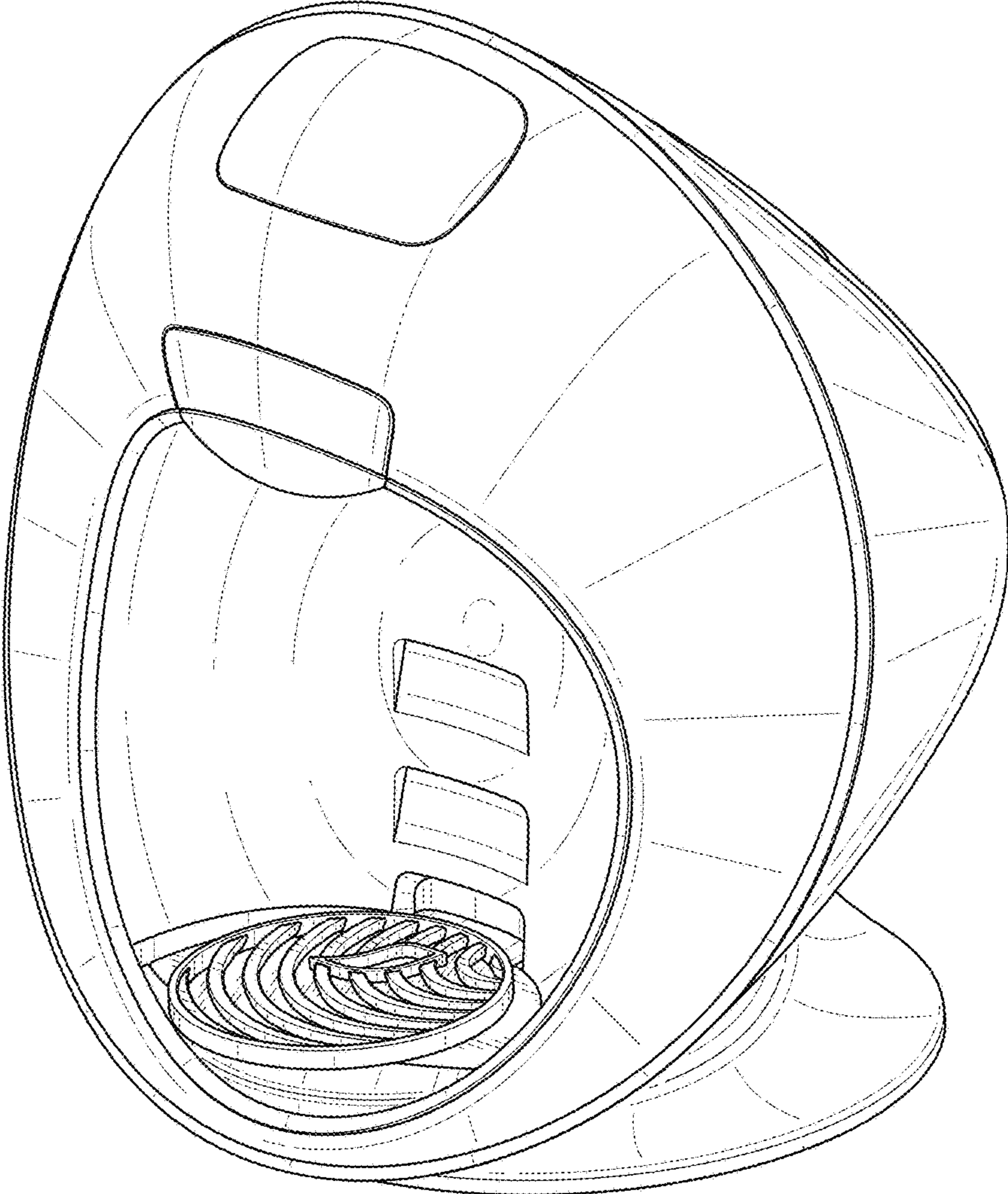


FIG. 1

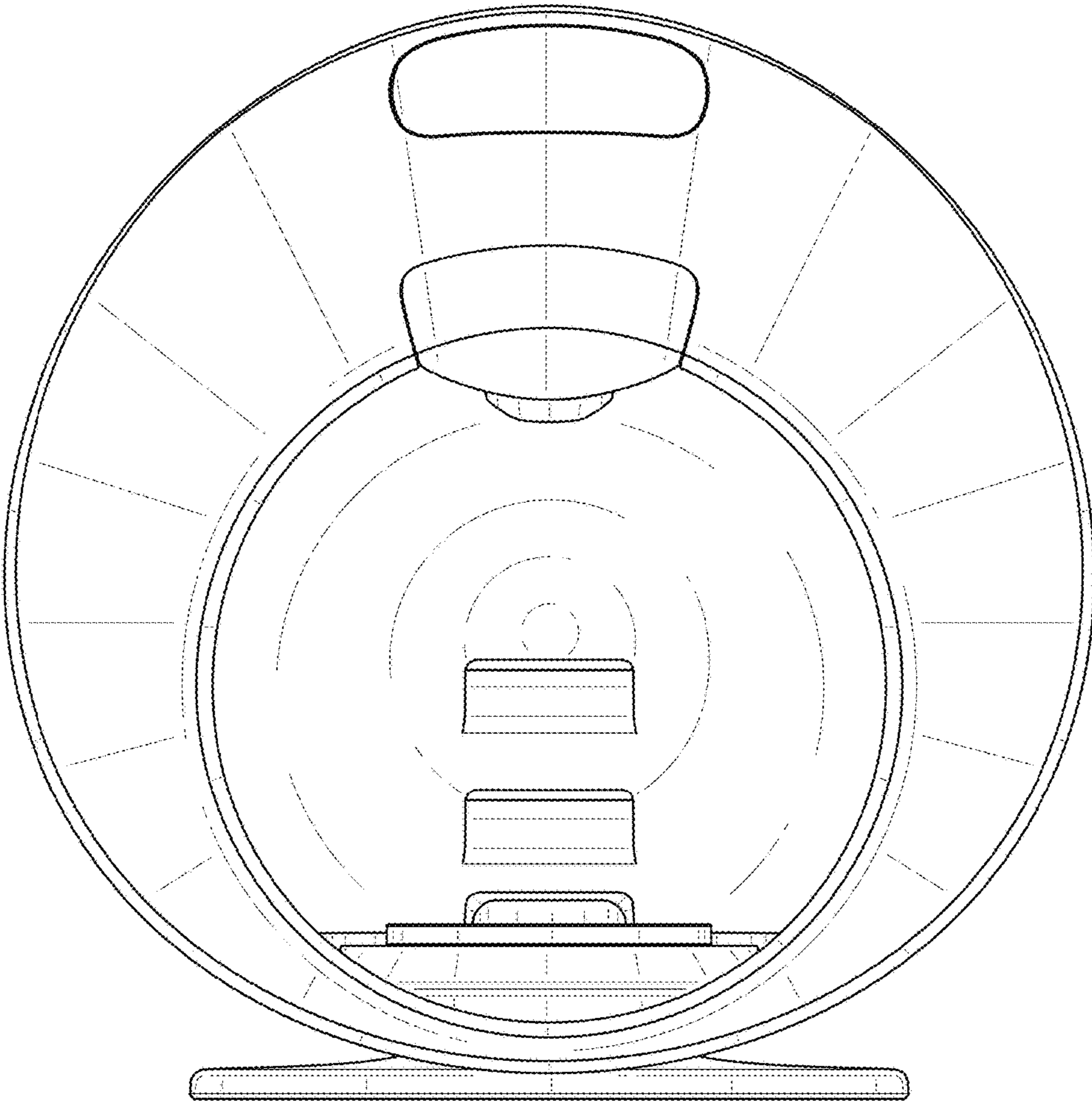


FIG. 2

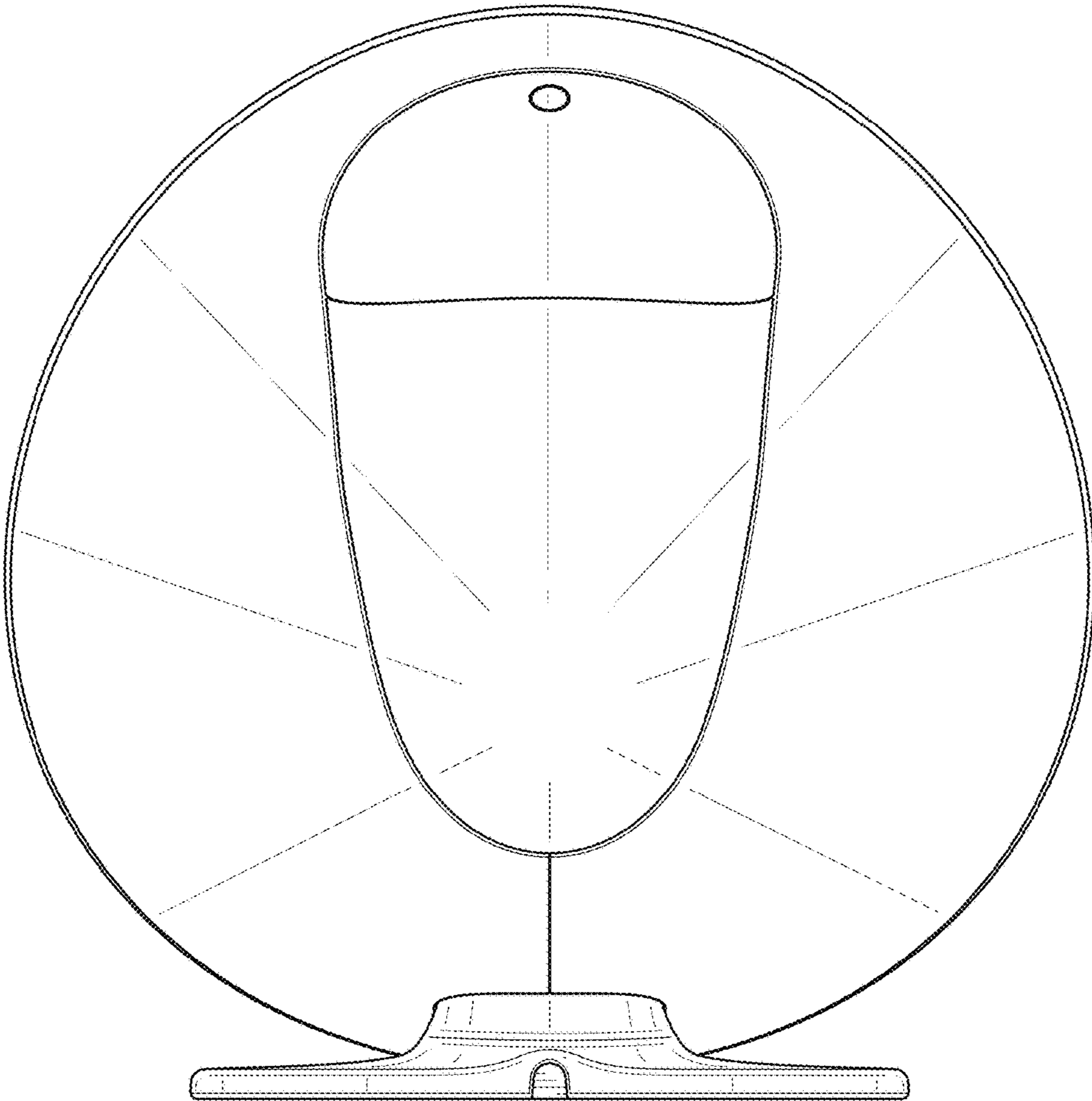


FIG. 3

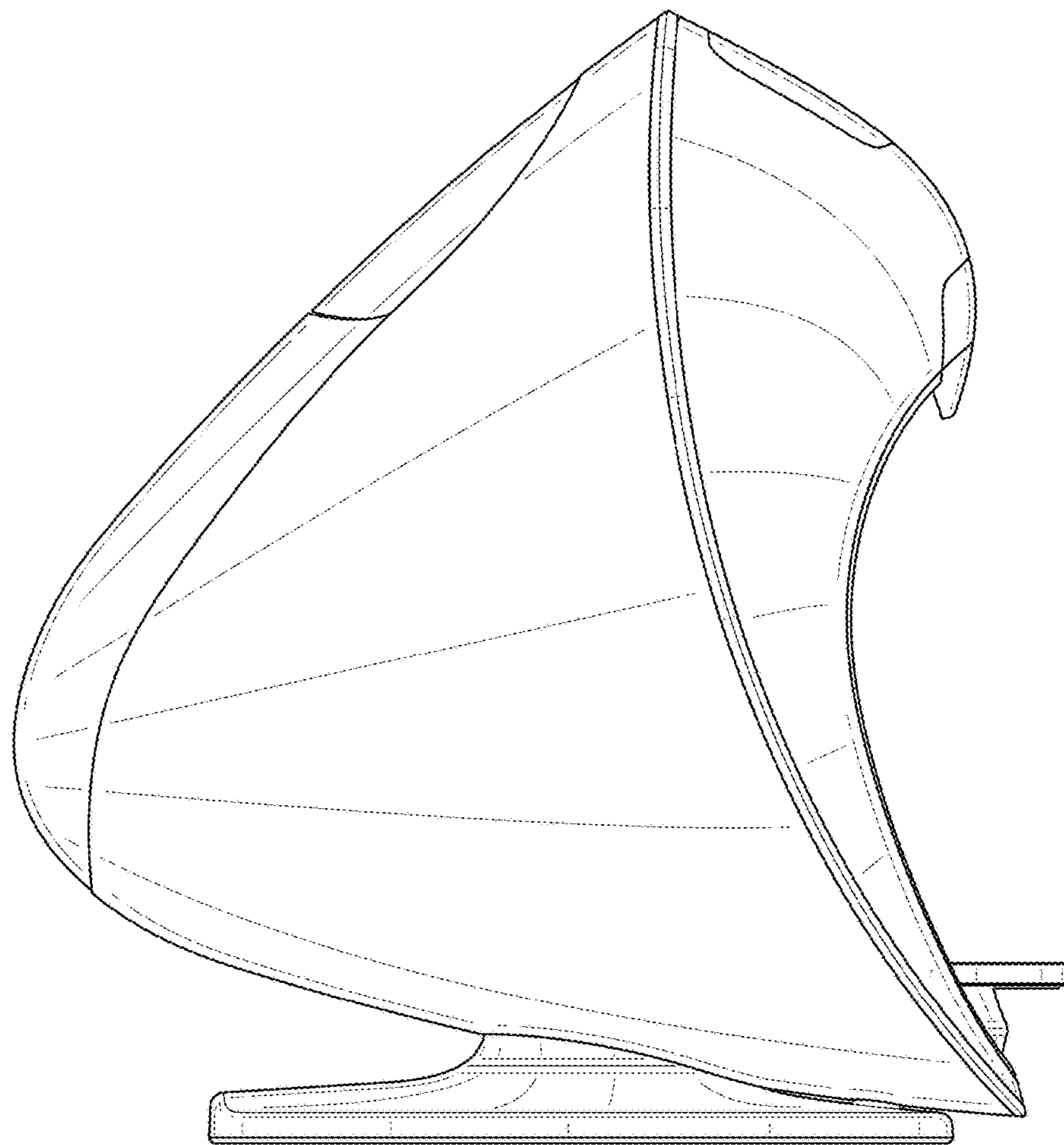


FIG. 4

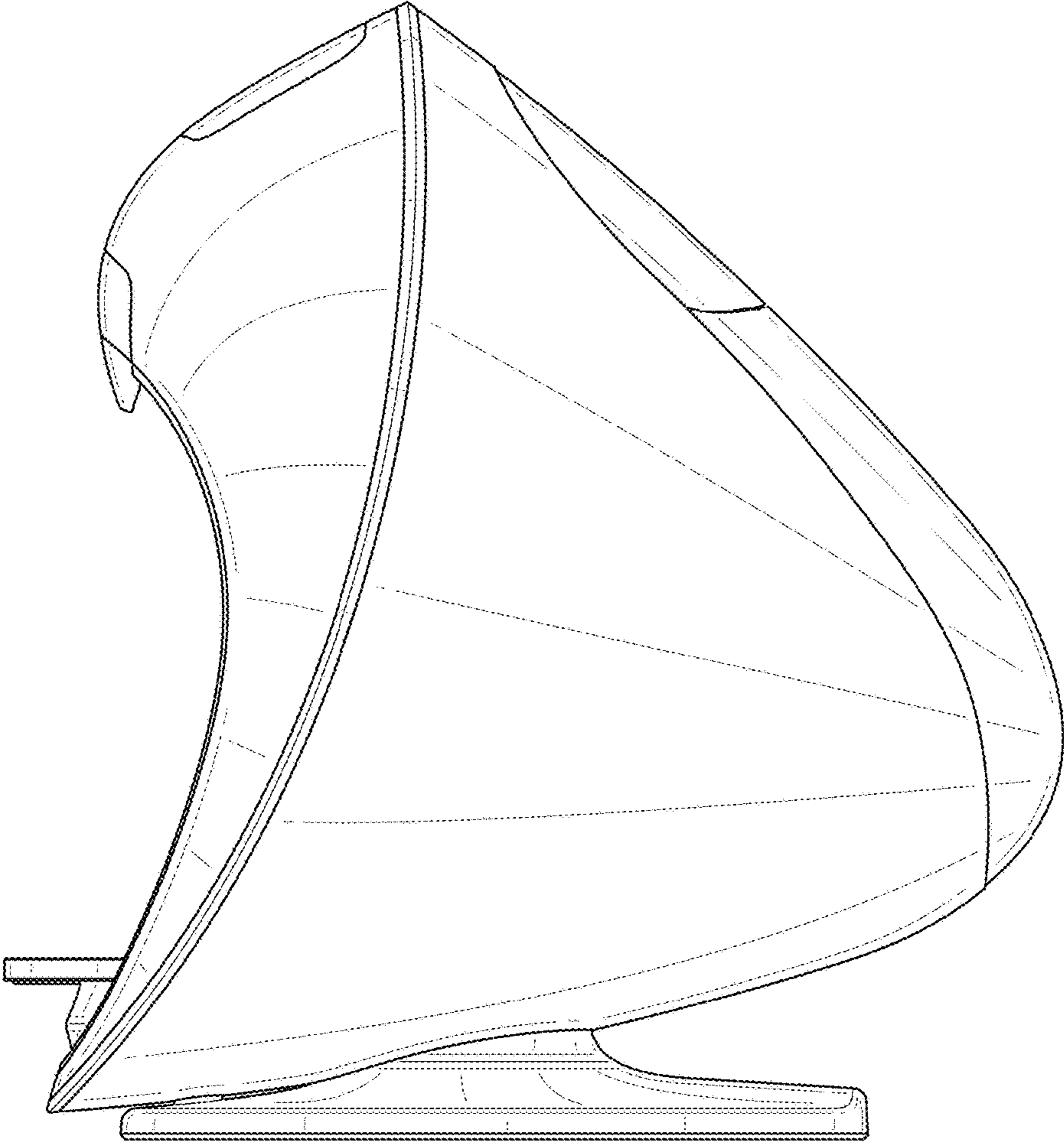


FIG. 5

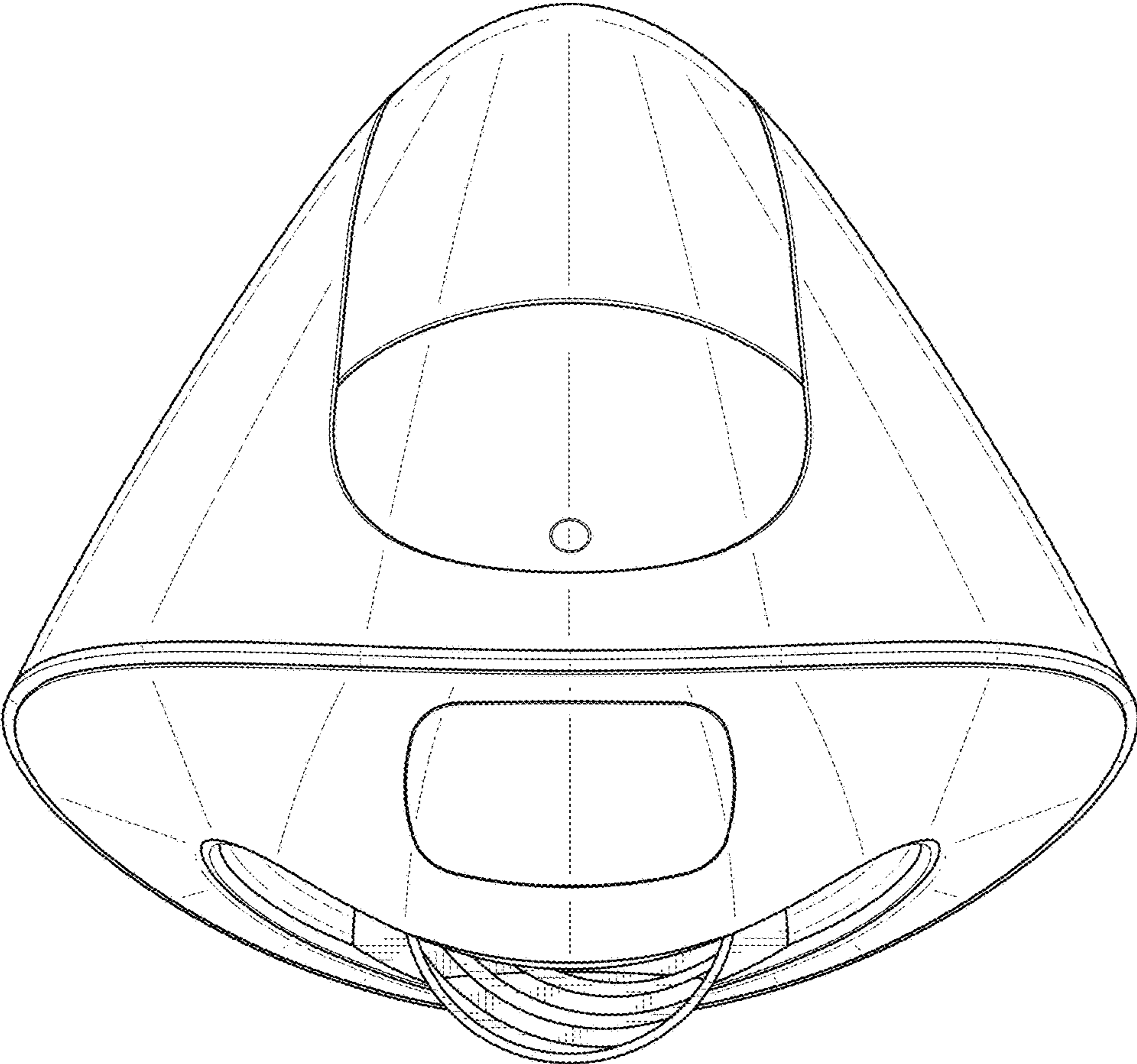


FIG. 6

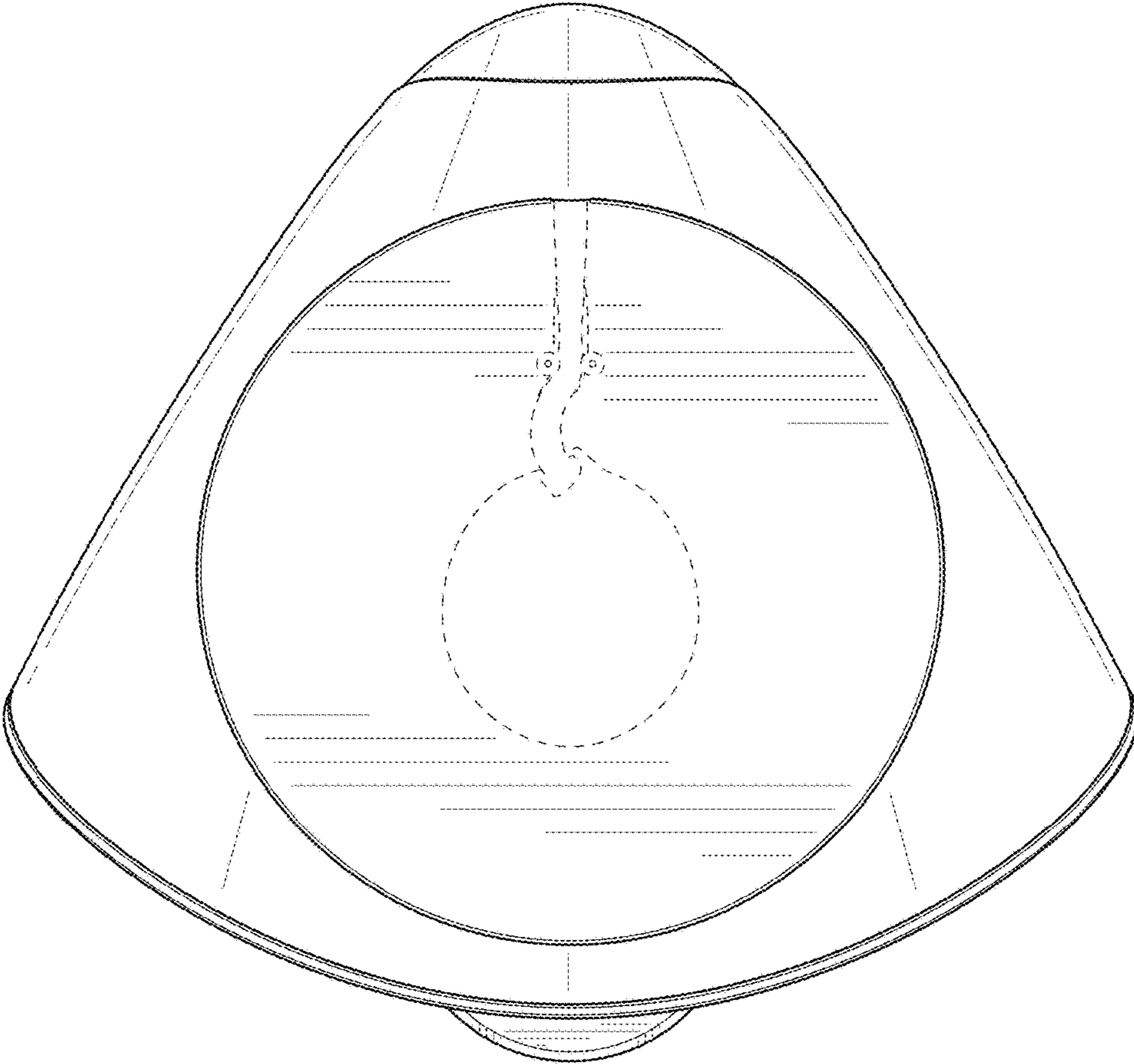


FIG. 7